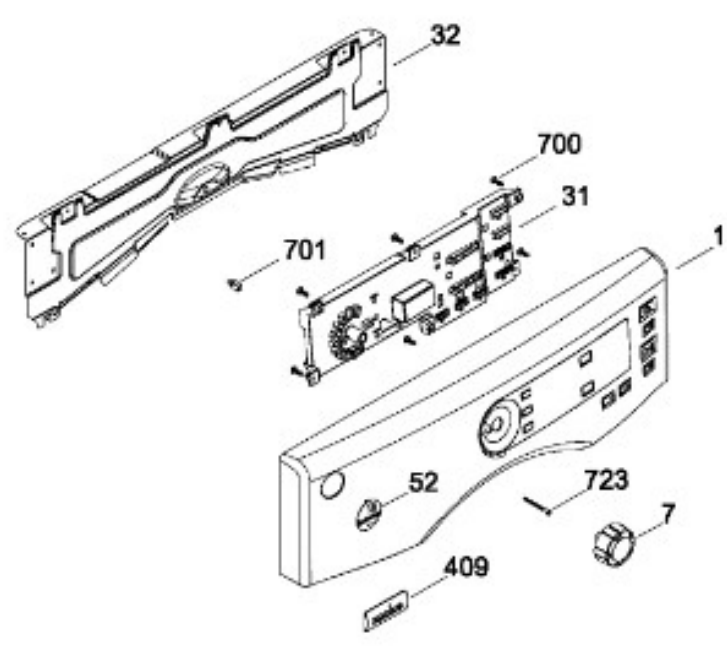




# SECADORA SMW817SXGBB00

SISTEMA CONTROLES / CONTROL SYSTEM

SMW817SXGBB00



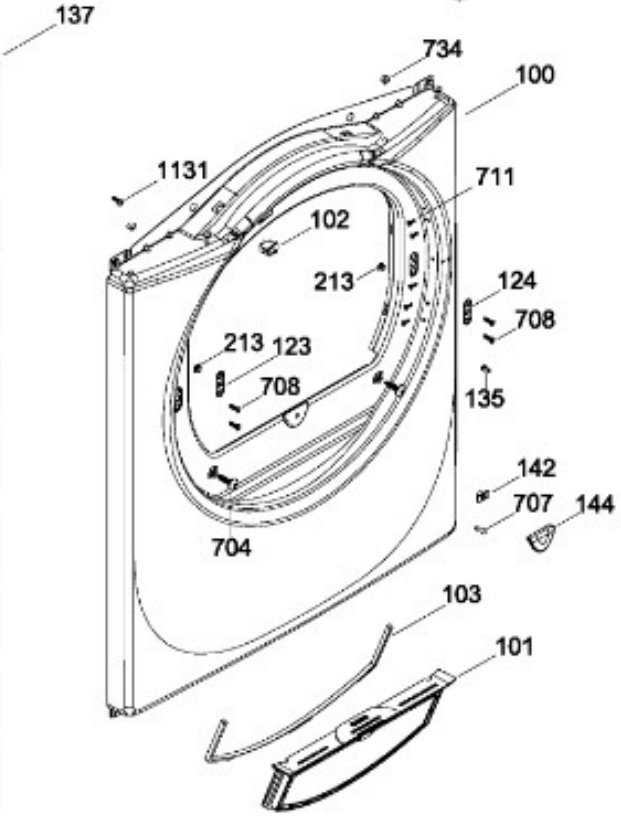
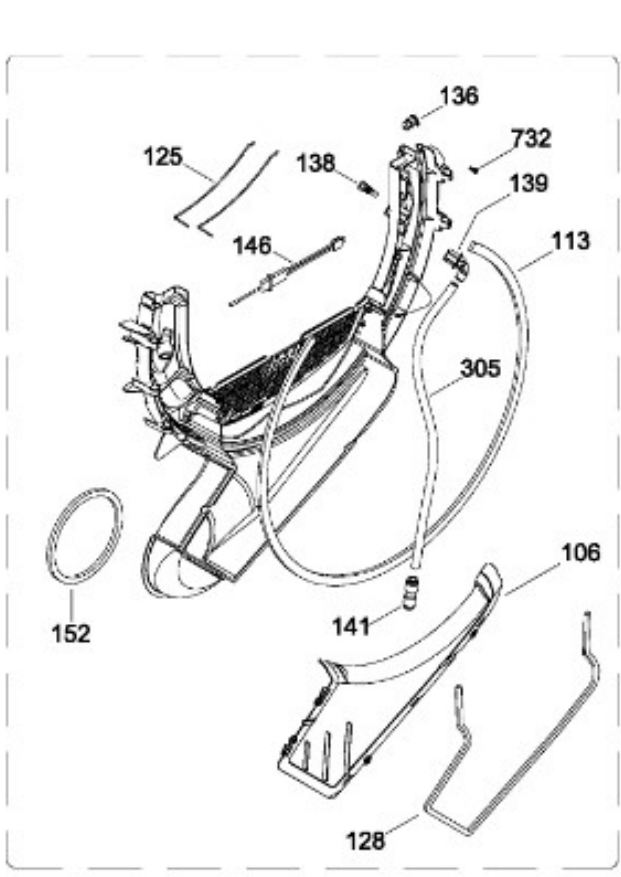
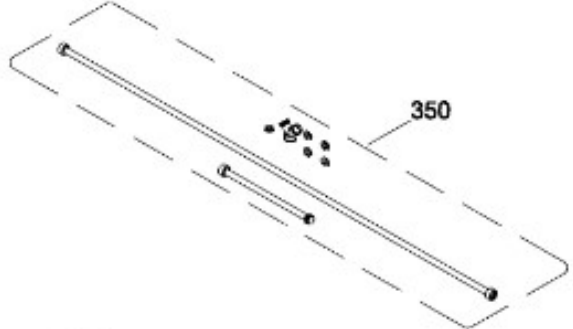
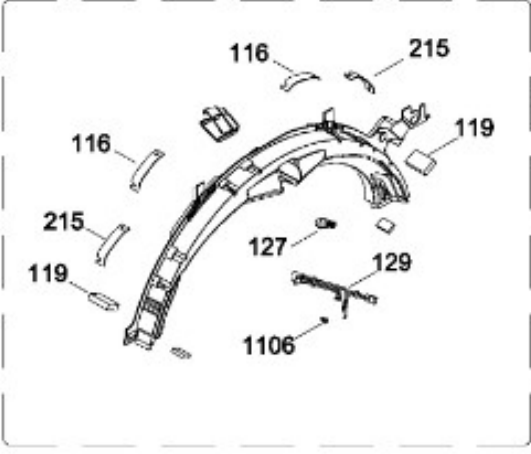
BENITO JUÁREZ #1500 GPE ZITON, CD. GUADALUPE NUEVO LEÓN TEL: 8183377999 Y 49  
HORARIOS: LUNES A VIERNES 8:30 A 6:00 PM Y SÁBADOS DE 8:30 A 2:00 PM  
WEB: [www.denek.com](http://www.denek.com)



# SECADORA SMW817SXGBB00

PANEL FRONTAL (ENS) / FRONT PANEL (ASM)

SMW817SXGBB00



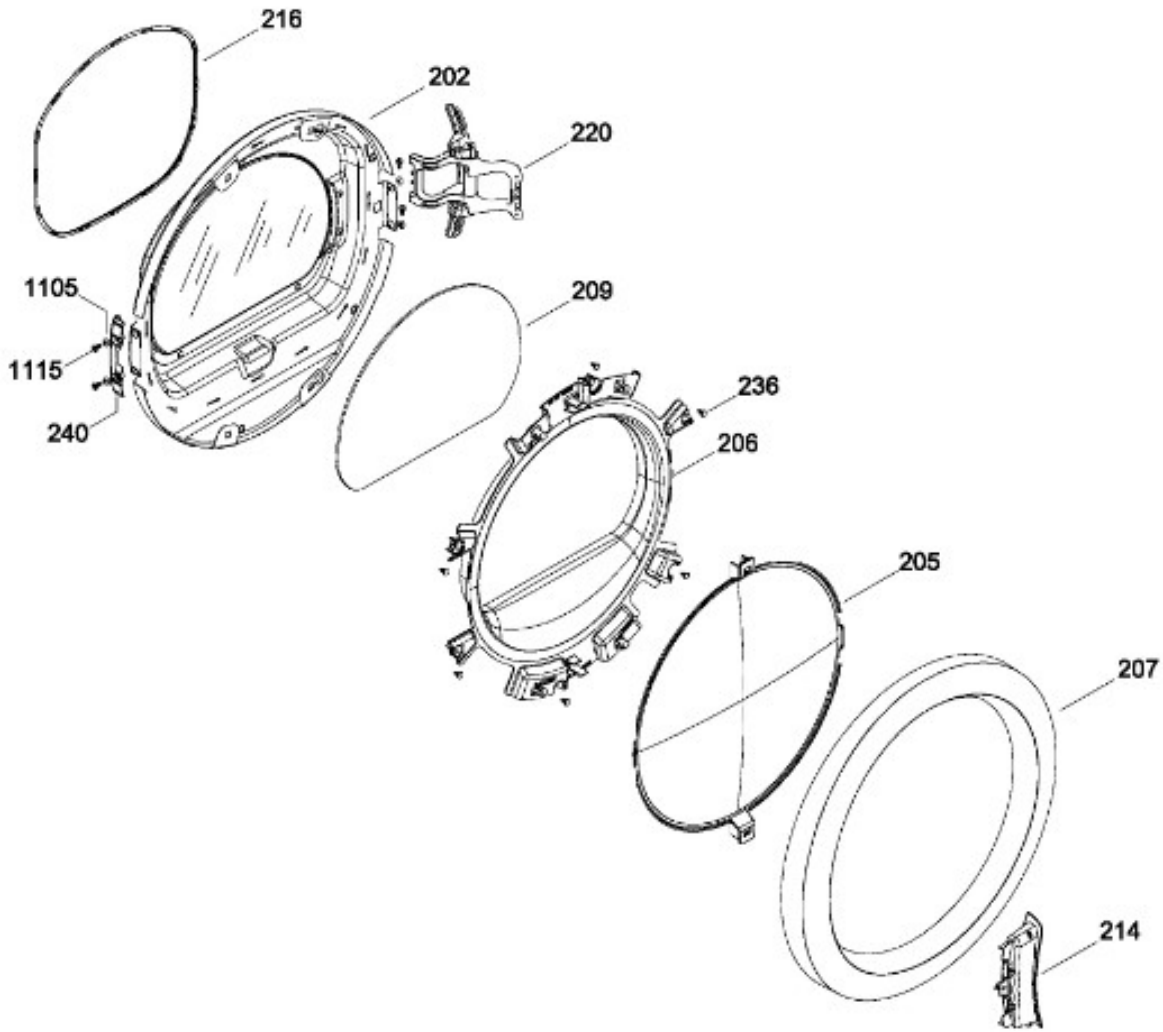
BENITO JUÁREZ #1500 GPE ZITON, CD. GUADALUPE NUEVO LEÓN TEL: 8183377999 Y 49  
HORARIOS: LUNES A VIERNES 8:30 A 6:00 PM Y SÁBADOS DE 8:30 A 2:00 PM  
WEB: [www.denek.com](http://www.denek.com)



# SECADORA SMW817SXGBB00

PUERTA (ENS) / DOOR (ASM)

SMW817SXGBB00



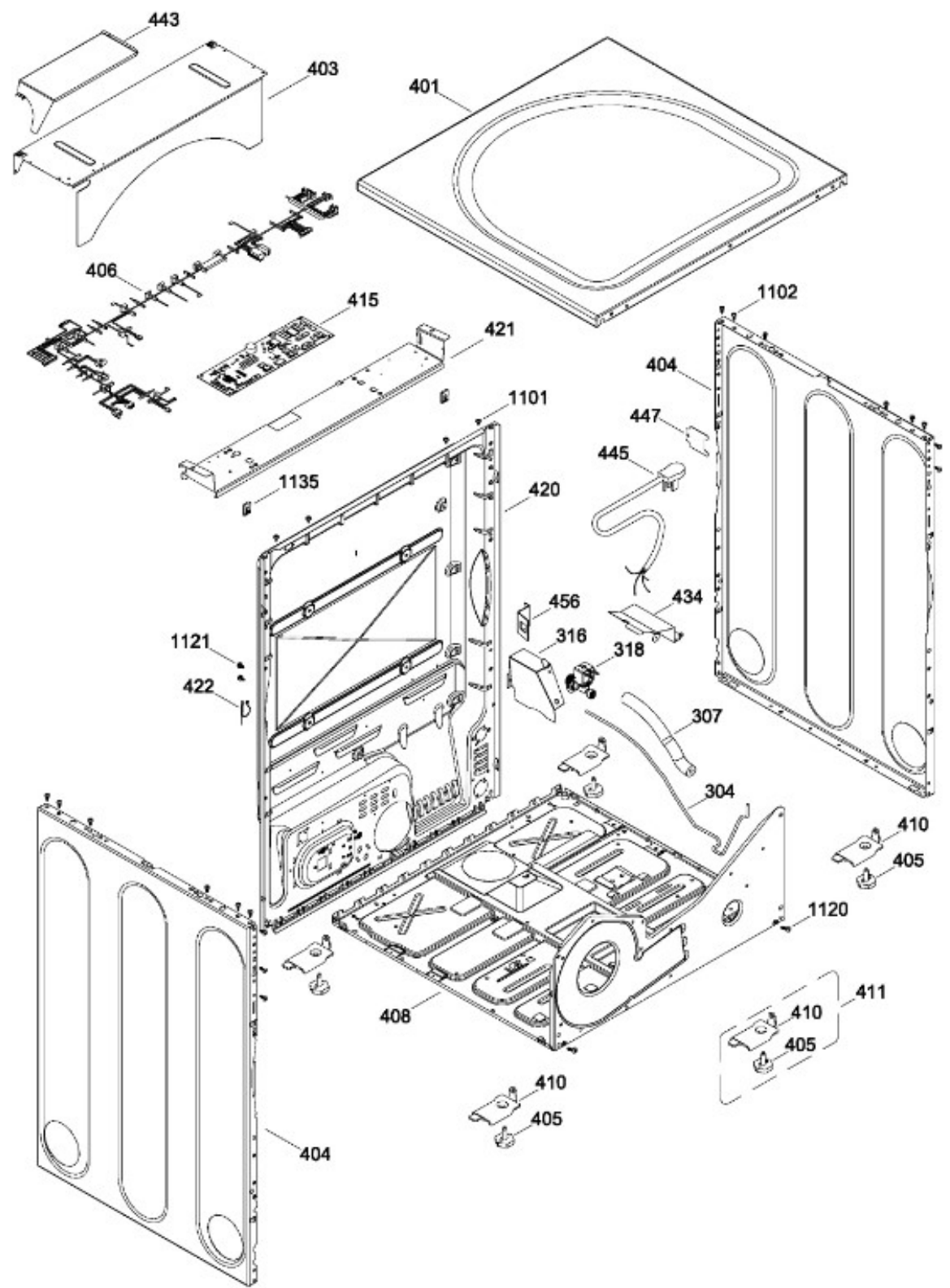
BENITO JUÁREZ #1500 GPE ZITON, CD. GUADALUPE NUEVO LEÓN TEL: 8183377999 Y 49  
HORARIOS: LUNES A VIERNES 8:30 A 6:00 PM Y SÁBADOS DE 8:30 A 2:00 PM  
WEB: [www.denek.com](http://www.denek.com)



# SECADORA SMW817SXGBB00

GABINETE / STRUCTURE

SMW817SXGBB00



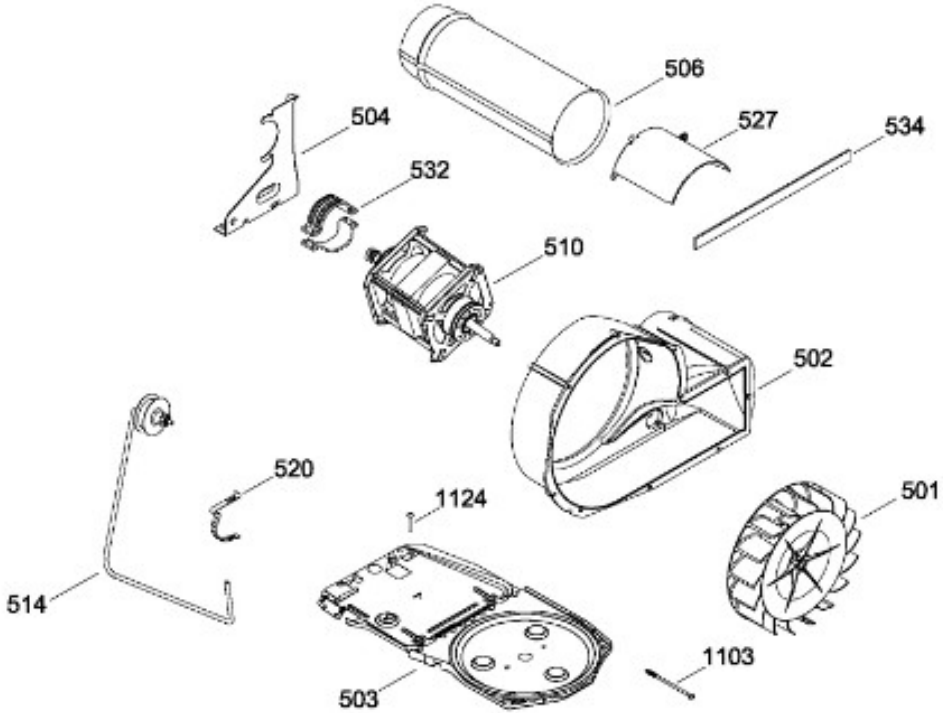
BENITO JUÁREZ #1500 GPE ZITON, CD. GUADALUPE NUEVO LEÓN TEL: 8183377999 Y 49  
 HORARIOS: LUNES A VIERNES 8:30 A 6:00 PM Y SÁBADOS DE 8:30 A 2:00 PM  
 WEB: [www.denek.com](http://www.denek.com)



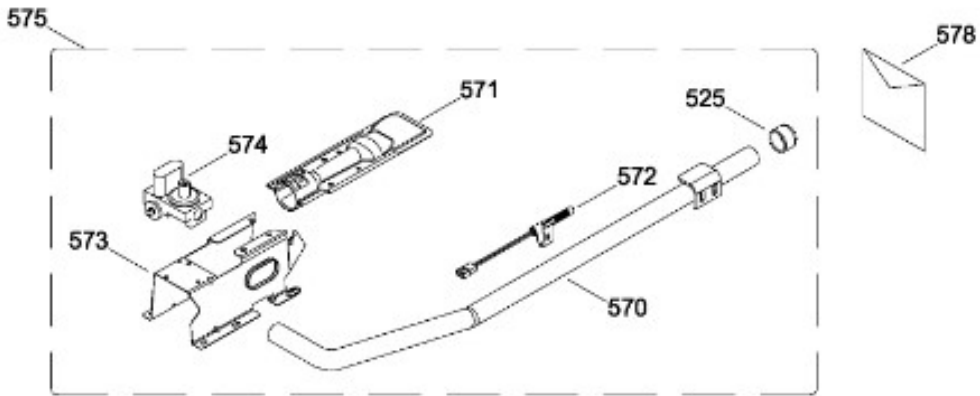
# SECADORA SMW817SXGBB00

SISTEMA DE TRANSMISION (ENS) / BLOWER & DRIVE (ASM)

SMW817SXGBB00



## QUEMADOR / BURNER



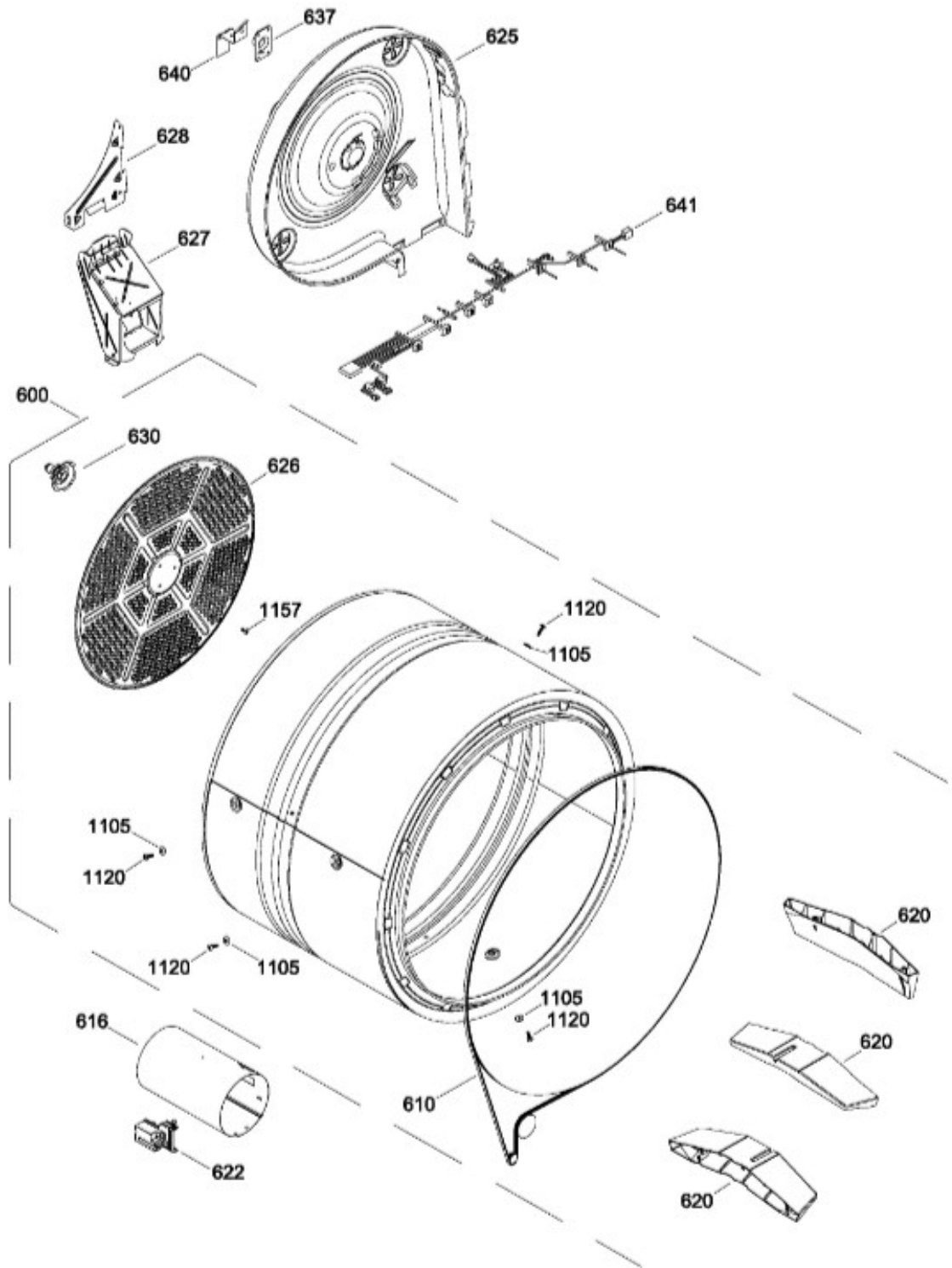
BENITO JUÁREZ #1500 GPE ZITON, CD. GUADALUPE NUEVO LEÓN TEL: 8183377999 Y 49  
HORARIOS: LUNES A VIERNES 8:30 A 6:00 PM Y SÁBADOS DE 8:30 A 2:00 PM  
WEB: [www.denek.com](http://www.denek.com)



# SECADORA SMW817SXGBB00

TAMBOR (ENS) / DRUM (ASM)

SMW817SXGBB00



BENITO JUÁREZ #1500 GPE ZITON, CD. GUADALUPE NUEVO LEÓN TEL: 8183377999 Y 49  
 HORARIOS: LUNES A VIERNES 8:30 A 6:00 PM Y SÁBADOS DE 8:30 A 2:00 PM  
 WEB: [www.denek.com](http://www.denek.com)

Guía	Refacción	Descripción
1	WW03F00314	PANEL DE CONTROL ENS(BCO)
7	WW03L00217	PERILLA
7	WW03L00344	PERILLA
31	WW03F00315	TARJETA Y CHASIS ENSAMBLE
32	WW03L00218	PROTECTOR FRONTAL
52	WW03A00153	LOGO E TECHNOLOGY
100	WW03L00219	PANEL FRONTAL(BCO)
101	WW03L00186	MARCO Y FILTRO ENS
101	WW02F00614	MARCO Y FILTRO ENS
102	WW02L00025	INTERRUPTOR PUERTA
103	WW03L00187	SELLO FILTRO
106	WW03L00220	CUBIERTA COLECTOR DE AIRE
106	WW02F00613	CUBIERTA COLECTOR DE AIRE
110	WW02L00224	COJINETE SUPERIOR ENS
110	WW02L00518	COJINETE SUPERIOR ENS
113	WW02L00138	FELPA DUCTO RECOLECTOR
116	WW03A00016	COJINETE DESLIZABLE
116	WW02A00250	COJINETE DESLIZABLE
119	WW02F00131	FIELTRO
119	WW02F00784	FIELTRO
123	WW02A00056	STRIKE PLATE
124	WW02A00057	STRIKE PLATE
125	WW02F00088	SENSOR ROD
127	WW02A00067	LAMP
127	WW03F00458	LAMP
127	WW03F00458	LAMPARA
128	WW03A00117	SELLO
129	WW02F00255	ARNES CONJINETE SUPERIOR
129	WW03F00469	ARNES CONJINETE SUPERIOR
135	WW03F00307	SEGURO
136	WW03L00221	TAPON CIEGO(GRIS)
137	WW03F00316	DUCTO TRAMPA ENS
137	WW02F00611	DUCTO TRAMPA ENS
138	WW02A00092	BOQUILLA
139	WW02F00121	CODO

Guía	Refacción	Descripción
141	WW02F00122	CONEXION DE SERVICIO
142	WW02A00093	NUT-STRIP DOOR GUIDE
144	WW02L00167	DOOR GUIDE
146	WW02F00135	HARNESS SENSORS
152	WW03L00190	SELLO DUCTO TRAMPA
152	WW03F00354	SELLO DUCTO TRAMPA
202	WW03L00222	PUERTA SUB ENSAMBLE
205	WW03L00223	VENTANA EXTERIOR
206	WW03F00309	MASCARA PUERTA
207	WW03L00231	ANILLO EXTERIOR PUERTA(GRIS)
209	WW02L00168	DOOR INNER WINDOW
213	WW02L00037	LATCH ASM.
214	WW03L00225	INSERTO JALADERA
215	WW03A00015	COJINETE DESLIZABLE
216	WW03L00226	SELLO PUERTA
216	WW02L00414	SELLO PUERTA
220	WW03L00227	BISAGRA ENS
236	WW02A00065	BOTON BELLEZA
240	WW03L00228	CUBIERTA BISAGRA
304	WW03F00293	TUBO POSTERIOR
305	WW03F00132	TUBO FRONTAL
307	WW03F00133	AISLANTE
316	WW03L00202	PROTECTOR VALVULA DE AGUA
318	WW02F00182	VALVULA DE AGUA
350	364B7057G001	KIT MANGUERAS EXTERNAS
401	WW03L00229	TAPA SUPERIOR(BCO)
403	212D1495P001	PLACA POSTERIOR
404	WW03L00205	LATERAL(BCO)
404	WW03L00205	LATERAL(BCO)
404	WW03L00205	LATERAL(BCO)
404	WW02L00644	LATERAL(BCO)
405	WW02L00191	PATTE DE NIVELLEMENT
406	WW02F00256	ARNES PRINCIPAL GAS
408	WW03L00230	BASE CHASIS
409	WW03A00080	LOGO MABE



Guía	Refacción	Descripción
410	WW02A00113	SUPPORT (PATTE DE NIVELLEMENT)
411	WW02F00139	PATA NIVELADORA ENS
415	WW02F00257	TARJETA PRINCIPAL ENS
420	WW02L00196	REAR PANEL
420	WW02L00196	REAR PANEL
421	WW02F00140	MAIN POWER BOARD SUPPORT
422	WW02F00022	CORD SET RETAINER
434	WW03L00110	CUBIERTA TERMOSTATO
443	WW03L00209	PROTECTOR VALVULA DE GAS
445	WW02F00091	CABLE TOMACORRIENTE
447	WW01A00458	TAPA TOMACORRIENTE
456	WW02A00037	BRIDE
501	WW01F01162	VENTILADOR REDONDO
501	WW02A00011	VENTILADOR REDONDO
502	WW02F00258	CAJA VENTILADOR
502	WW03F00311	CAJA VENTILADOR
503	WW01L01163	BASE MOTOR
503	WW01L01163	BASE MOTOR
503	WW01L01163	BASE MOTOR
503	WW02L00642	BASE MOTOR
504	WW02F00027	SOPORTE MOTOR
506	WW02F00129	EXHAUST DUCT
506	WW02F00721	EXHAUST DUCT
510	WW02F00015	MOTOR POLEA ENS.
510	WW03A00209	MOTOR POLEA ENS.
514	WW02A00008	ENS. BRAZO AUXILIAR
514	WW03F00350	ENS. BRAZO AUXILIAR
520	WW02F00031	CLIP MOTOR
525	WW02A00003	TAPA
527	WW03L00112	CUBIERTA MOTOR
532	WW02F00003	CORREA MOTOR
532	WW02A00232	CORREA MOTOR
534	WW02A00026	EMPAQUE ESCAPE SOPLADOR
534	WW02F00785	EMPAQUE ESCAPE SOPLADOR
570	WW03F00137	ENSAMBLE TUBERIA DE GAS

Guía	Refacción	Descripción
571	WW02A00020	QUEMADORES
572	WW02F00002	ALLUME-GAZ
572	WW02F00740	ALLUME-GAZ
573	WW02F00077	GAS VALVE BRACKET
573	WW03A00125	GAS VALVE BRACKET
574	WW02F00099	VALVE GAS
575	WW02F00079	VALVULA Y QUEMADOR ENS
578	WW01F01529	VALVULA Y TUBO PARA GAS LP
600	WW03F00320	TAMBOR ENSAMBLE
610	WW02F00028	BANDA SECADORA
610	WW02F00854	BANDA SECADORA
616	WW03F00296	TUBO DE COMBUSTION
616	WW02F00722	TUBO DE COMBUSTION
620	WW03L00232	ALETA
622	WW02F00001	DETECTOR TERMOSTATO
625	WW02L00014	DIFUSOR GAS
625	WW03F00095	DIFUSOR GAS
626	WW02F00030	DIFUSOR
627	WW02F00127	DUCTO DE TRANSICION
627	WW03F00539	DUCTO DE TRANSICION
628	WW03F00297	PLACA DIFUSORA
628	WW03F00097	PLACA DIFUSORA
630	WW02A00019	SOPORTE Y FLECHA ENSAMBLE
637	WW02A00005	RETENEDOR RODAMIENTO
640	WW01A00443	GROUND STRAP ASSEMBLY
641	WW02F00259	ARNES DERECHO GAS
700	WW02A00102	SCREW CHASSIS TO FRONT HSG.
701	WW02A00087	ENCLOSED SCREW GROMMET
704	WW02A00099	SCREW # 10
707	WW02A00097	SCREW
708	WW02A00098	SCREW
708	WW01A00539	SCREW
711	WW02A00101	TORNILLO
723	WW03A00145	TORNILLO HI/LO 8-18
732	WW03A00092	TORNILLO 6-16 B B1Q1 3/4

Guía	Refacción	Descripción
734	WW03A00156	TORNILLO 8-18 AB PNQ2
1101	WW02A00030	TORNILLO
1101	WW02A00211	TORNILLO
1102	WW02A00029	TORNILLO
1102	WW02A00211	TORNILLO
1103	WW02A00032	TORNILLO
1105	WW02A00002	ARANDELA
1106	WW02A00027	SCREW
1115	WW01A00450	TORNILLO 8-18 AB 1/2
1120	WW02A00031	TORNILLO
1121	WW01A00001	TORNILLO
1124	WW02A00070	TORNILLO
1131	WW02A00028	TORNILLO
1135	WW03A00073	TUERCA RAPIDA
1157	WW01A00456	TORNILLO #10