

Distribuidor Autorizado

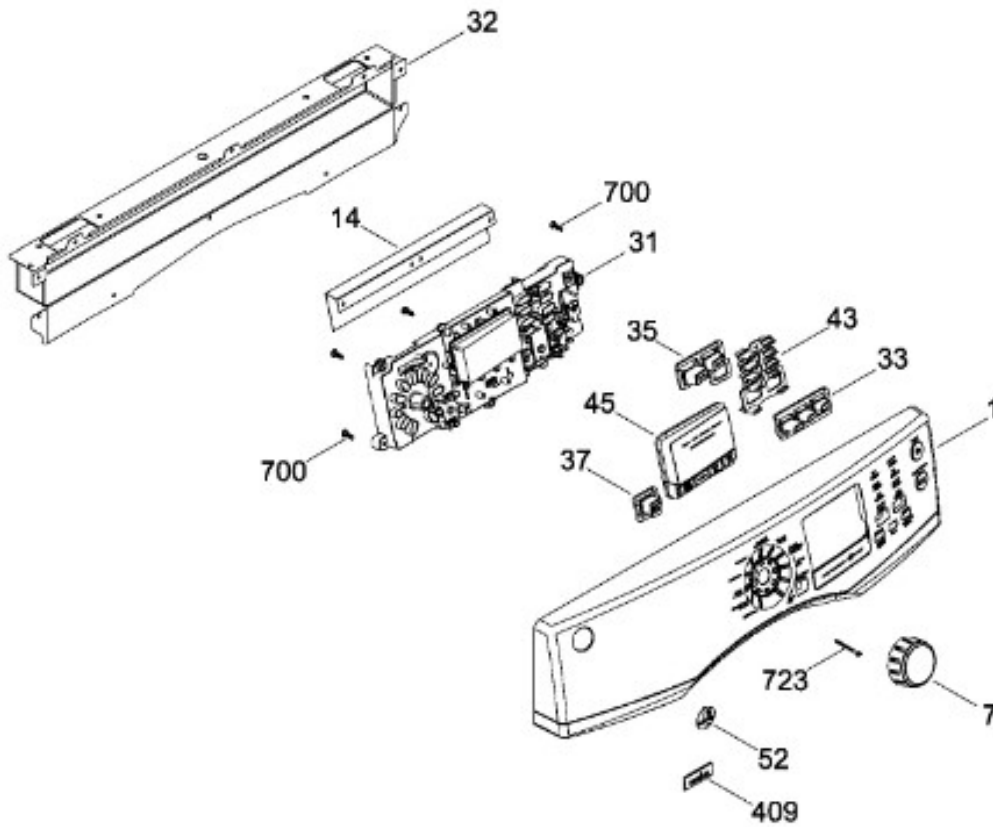
SurteRápido.com

Venta de Refacciones  
Electrodomesticas

# SECADORA SMW819SDGCG11

SISTEMA CONTROLES / CONTROL SYSTEM

SMW819SDGCG11





Distribuidor Autorizado

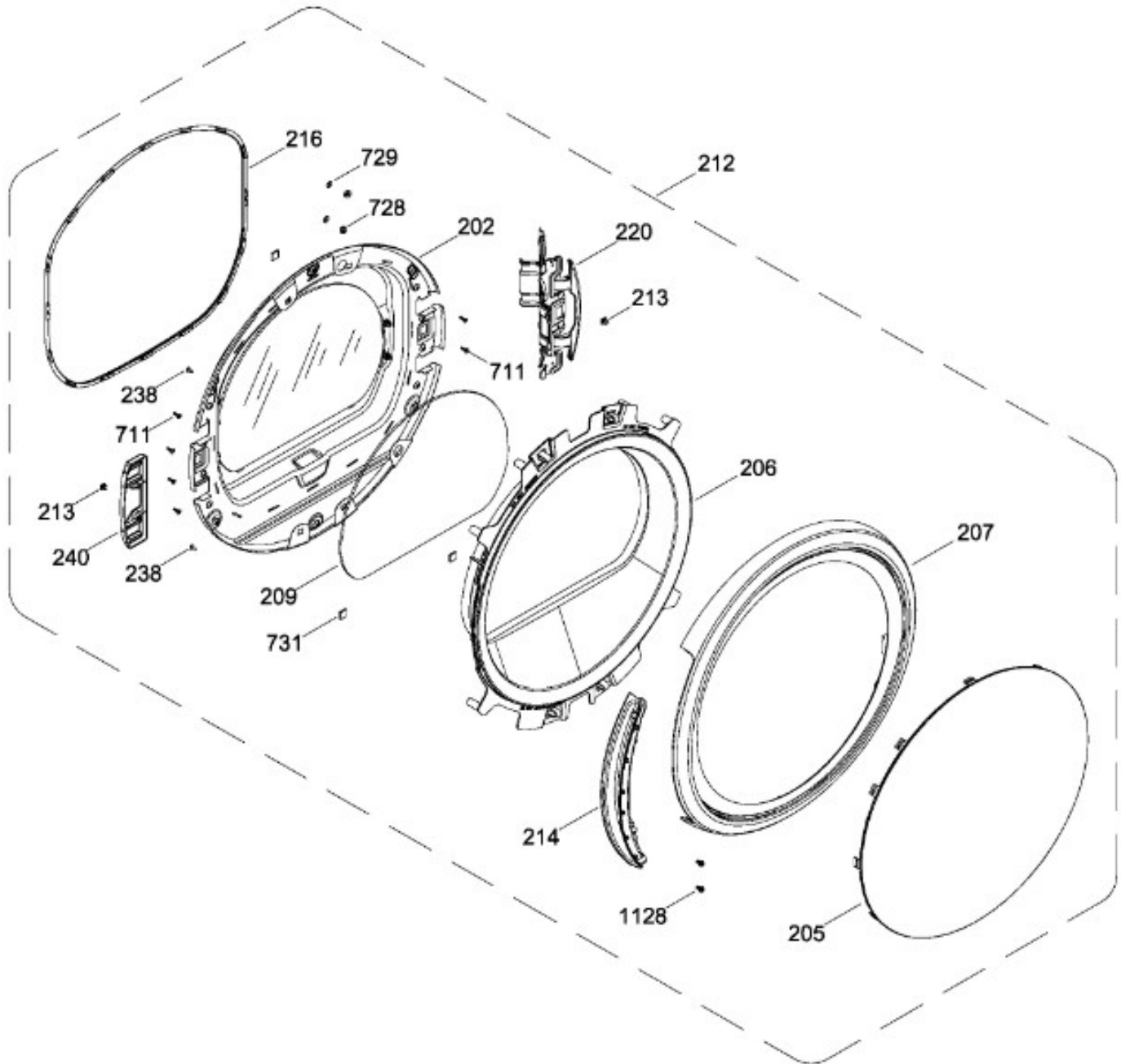
SurteRápido.com

Venta de Refacciones  
Electrodomesticas

# SECADORA SMW819SDGCG11

PUERTA (ENS) / DOOR (ASM)

SMW819SDGCG11



Distribuidor Autorizado

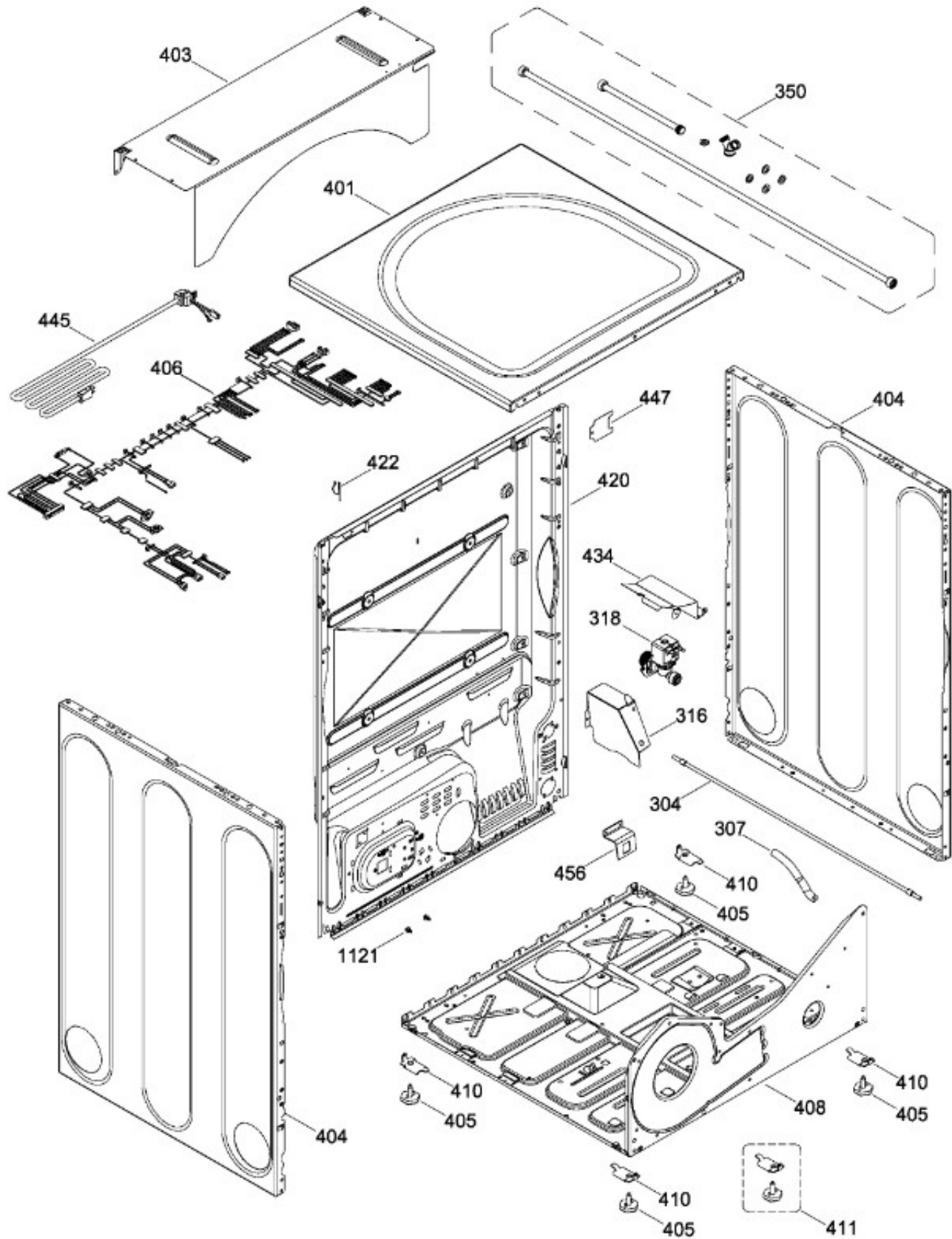
SurteRápido.com

Venta de Refacciones  
Electrodomesticas

# SECADORA SMW819SDGCG11

GABINETE / STRUCTURE

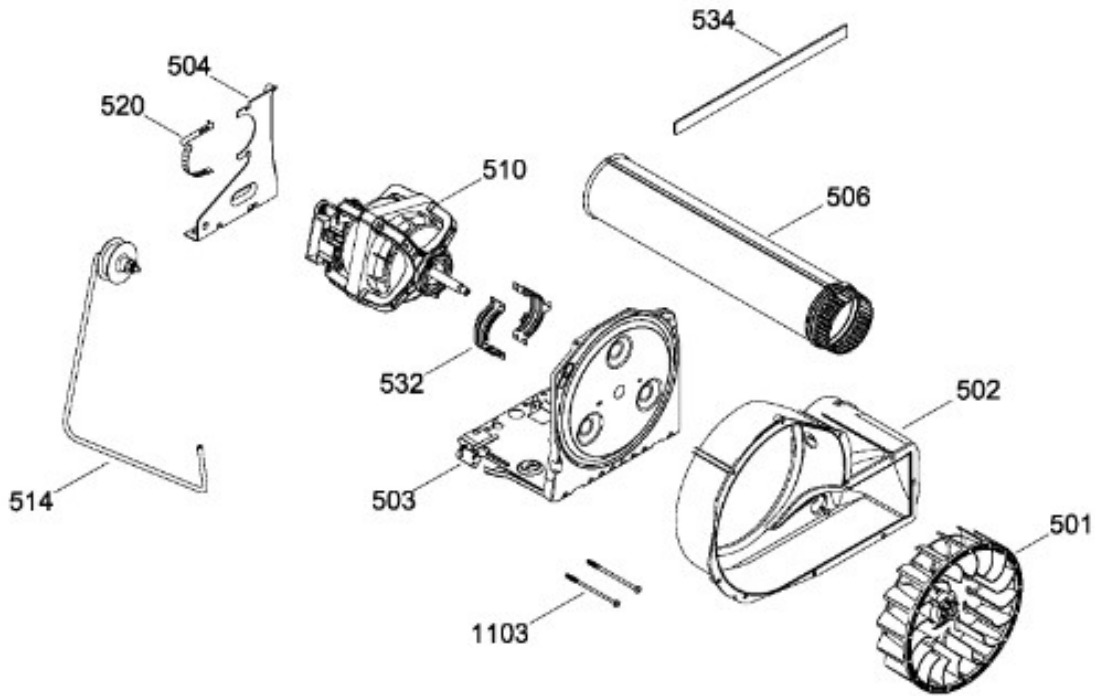
SMW819SDGCG11



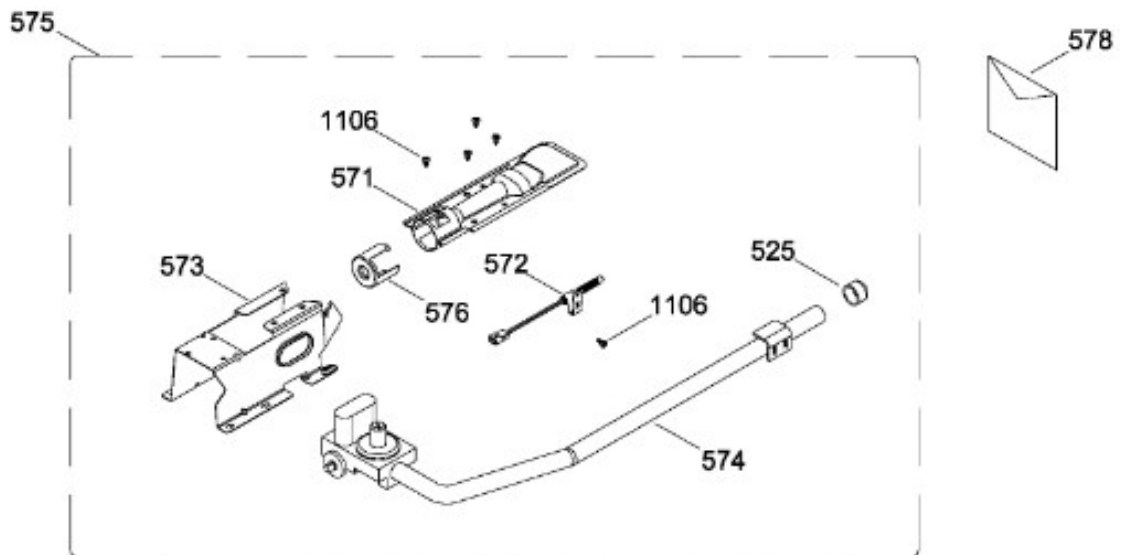
# SECADORA SMW819SDGCG11

SISTEMA DE TRANSMISION (ENS) / BLOWER & DRIVE (ASM)

SMW819SDGCG11



## QUEMADOR / BURNER



Distribuidor Autorizado

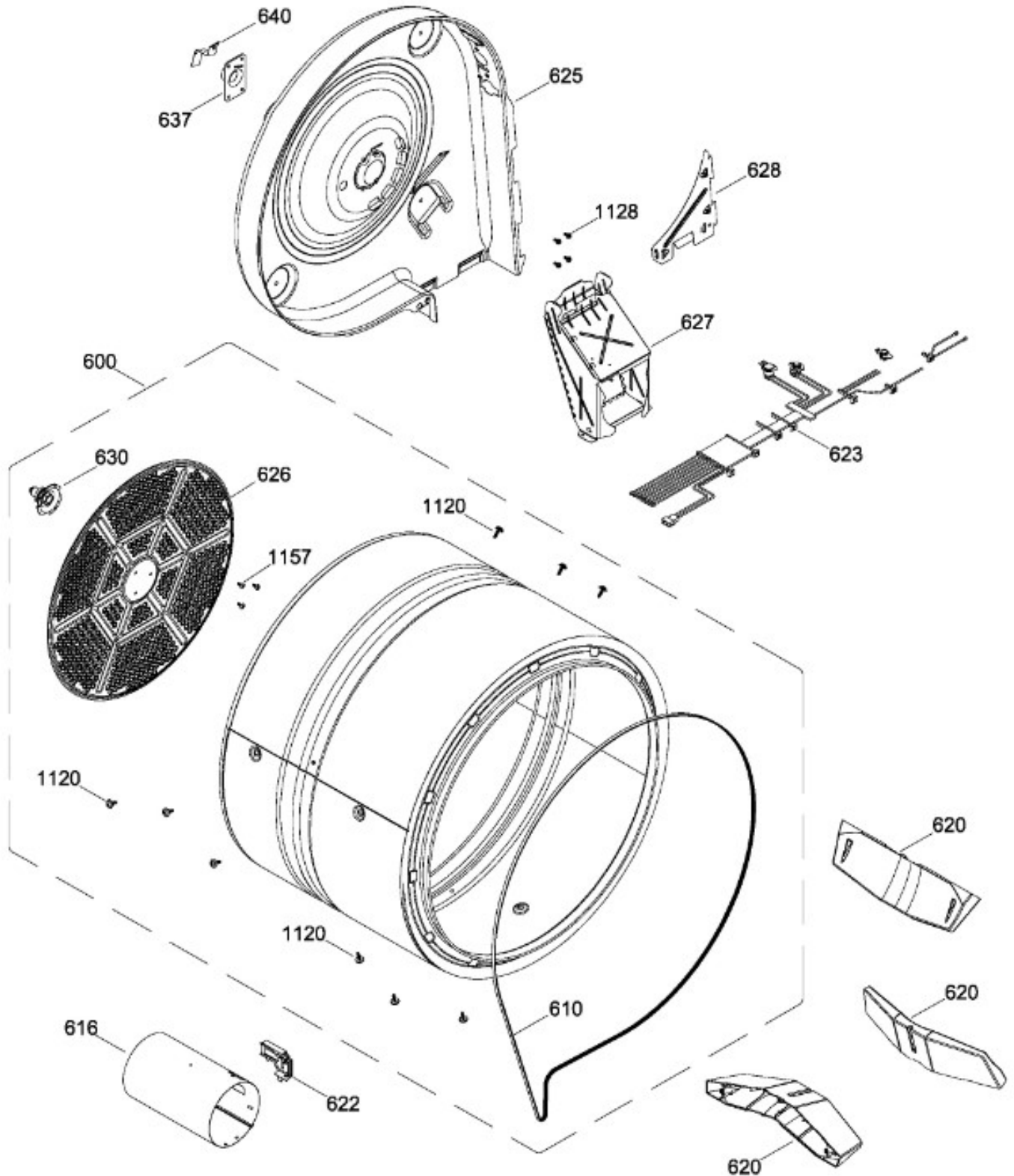
SurteRápido.com

Venta de Refacciones  
Electrodomesticas

# SECADORA SMW819SDGCG11

TAMBOR (ENS) / DRUM (ASM)

SMW819SDGCG11



Distribuidor Autorizado

**SurteRápido.com**

Venta de Refacciones  
Electrodomesticas

## SECADORA SMW819SDGCG11

| Guía | Refacción  | Descripción                |
|------|------------|----------------------------|
| 1    | WW02L00647 | ENSAMBLE PANEL DE CONTROL  |
| 7    | WW03L00343 | PERILLA                    |
| 14   | WW03F00492 | BARRERA TERMICA            |
| 31   | WW02F00787 | CHASIS Y TARJETA ENSAMBLE  |
| 31   | WW02F00810 | CHASIS Y TARJETA ENSAMBLE  |
| 32   | WW02L00411 | ESCUDO FRONTAL             |
| 33   | WW03F00495 | ENS BOTON EDRY/VOL/LOCK    |
| 35   | WW03F00488 | ENS BOTON TEMP/LEVEL       |
| 37   | WW03F00490 | ENS BOTON ADD TIME         |
| 43   | WW03A00213 | GUIA DE LUZ SUPERIOR       |
| 45   | WW03F00491 | ENS PANTALLA Y BOTONES     |
| 52   | WW03A00153 | LOGO E TECHNOLOGY          |
| 100  | WW03L00262 | PANEL FRONTAL              |
| 101  | WW02F00614 | MARCO Y FILTRO ENSAMBLE    |
| 102  | WW02L00025 | INTERRUPTOR PUERTA         |
| 103  | WW03L00187 | SELLO FILTRO               |
| 108  | WW02L00172 | DOOR SWITCH COVER          |
| 110  | WW02L00413 | COJINETE SUPERIOR ENSAMBLE |
| 110  | WW02L00520 | COJINETE SUPERIOR ENSAMBLE |
| 113  | WW01L01329 | FELPA COLECTOR DE AIRE     |
| 113  | WW02F00783 | FELPA COLECTOR DE AIRE     |
| 115  | WW03A00015 | COJINETE DESLIZABLE        |
| 116  | WW03A00016 | COJINETE DESLIZABLE        |
| 116  | WW02A00250 | COJINETE DESLIZABLE        |
| 119  | WW02F00131 | FIELTRO                    |
| 119  | WW02F00784 | FIELTRO                    |
| 123  | WW02A00056 | STRIKE PLATE               |
| 124  | WW02A00057 | STRIKE PLATE               |
| 125  | WW02F00088 | SENSOR ROD                 |
| 126  | WW03F00354 | SELLO                      |
| 127  | WW03F00458 | LAMPARA                    |
| 128  | WW03A00117 | SELLO                      |
| 129  | WW03F00469 | HARNAIS DE FIL             |
| 135  | WW03F00307 | SEGURO                     |
| 136  | WW03L00221 | TAPON CIEGO(GRIS)          |

Distribuidor Autorizado

**SurteRápido.com**

Venta de Refacciones  
Electrodomesticas

## SECADORA SMW819SDGCG11

| Guía | Refacción  | Descripción               |
|------|------------|---------------------------|
| 137  | WW02F00372 | DUCTO TRAMPA ENSAMBLE     |
| 137  | WW02F00603 | DUCTO TRAMPA ENSAMBLE     |
| 138  | WW02A00092 | BOQUILLA                  |
| 139  | WW02F00121 | CODO                      |
| 141  | WW01F01458 | CONECTOR DE SERVICIO      |
| 142  | WW02A00093 | NUT-STRIP DOOR GUIDE      |
| 144  | WW02L00167 | DOOR GUIDE                |
| 146  | WW02F00135 | HARNES SENSORS            |
| 202  | WW03L00375 | PUERTA SUBENSAMBLE        |
| 202  | NLA        | PUERTA SUBENSAMBLE        |
| 205  | WW02L00570 | VENTANA EXTERIOR          |
| 206  | WW02L00338 | MASCARA PUERTA            |
| 207  | WW03F00432 | ANILLO PUERTA EXTERIOR    |
| 209  | WW02L00168 | DOOR INNER WINDOW         |
| 212  | WW02L00568 | ENSPUERTA                 |
| 213  | WW02L00037 | LATCH ASM.                |
| 214  | WW03L00319 | JALADERA                  |
| 216  | WW02L00414 | SELLO PUERTA              |
| 220  | WW02L00373 | HINGE ASM                 |
| 236  | WW03L00364 | BOTON DE BELLEZA          |
| 238  | WW02A00082 | BEAUTY BOTTON             |
| 240  | WW02L00372 | COVER HINGE               |
| 304  | WW03F00317 | TUBO                      |
| 305  | WW03F00132 | TUBO FRONTAL              |
| 307  | WW03F00133 | AISLANTE                  |
| 316  | WW03L00202 | PROTECTOR VALVULA DE AGUA |
| 318  | WW02F00182 | VALVULA DE AGUA           |
| 350  | WW02A00088 | KIT MANGUERAS EXTERNAS    |
| 401  | WW03L00281 | PANEL SUPERIOR            |
| 403  | WW02F00720 | PLACA POSTERIOR           |
| 404  | WW03L00259 | PANEL LATERAL             |
| 405  | WW02L00191 | PATTE DE NIVELLEMENT      |
| 406  | WW02F00510 | ENSAMBLE ARNES GAS        |
| 408  | WW03L00230 | BASE CHASIS               |



Distribuidor Autorizado

**SurteRápido.com**

Venta de Refacciones  
Electrodomesticas

## SECADORA SMW819SDGCG11

| Guía | Refacción  | Descripción                   |
|------|------------|-------------------------------|
| 410  | WW02A00113 | SUPPORT (PATTE DE NIVELLEMENT |
| 411  | WW02F00139 | LEVELING LEG ASSEMBLY         |
| 420  | WW02L00196 | REAR PANEL                    |
| 420  | WW02L00196 | REAR PANEL                    |
| 422  | WW02F00022 | CORD SET RETAINER             |
| 434  | WW03L00110 | CUBIERTA TERMOSTATO           |
| 445  | WW02F00091 | CABLE TOMACORRIENTE           |
| 447  | WW01A00458 | TAPA TOMACORRIENTE            |
| 456  | WW02A00037 | BRIDE                         |
| 501  | WW01F01162 | VENTILADOR REDONDO            |
| 501  | WW02A00011 | VENTILADOR REDONDO            |
| 502  | WW03F00311 | CAJA VENTILADOR               |
| 503  | WW02L00642 | BASE MOTOR NV                 |
| 504  | WW02F00027 | SOPORTE MOTOR                 |
| 506  | WW02F00721 | DUCTO DE ESCAPE               |
| 510  | WW03F00447 | MOTOR POLEA ENSAMBLE          |
| 514  | WW02A00008 | ENS. BRAZO AUXILIAR           |
| 514  | WW03F00350 | ENS. BRAZO AUXILIAR           |
| 520  | WW02F00031 | CLIP MOTOR                    |
| 525  | WW02A00003 | TAPA                          |
| 532  | WW02F00003 | CORREA MOTOR                  |
| 532  | WW02A00232 | CORREA MOTOR                  |
| 534  | WW02A00026 | EMPAQUE ESCAPE SOPLADOR       |
| 534  | WW02F00785 | EMPAQUE ESCAPE SOPLADOR       |
| 571  | WW02A00020 | QUEMADORES                    |
| 572  | WW02F00740 | ENCENDEDOR INCANDESCENTE      |
| 572  | WW01F01432 | ENCENDEDOR INCANDESCENTE      |
| 573  | WW03A00125 | SOPORTE VALVULA DE GAS        |
| 574  | WW02A00155 | ENS VALVULA Y TUBERIA GAS NAT |
| 575  | WW03F00493 | ENSAMBLE VALVULA Y QUEMADOR   |
| 576  | WW02L00140 | AIRADOR                       |
| 578  | WW01F01529 | VALVULA Y TUBO PARA GAS LP    |
| 600  | WW02F00786 | ENSAMBLE TAMBOR               |
| 610  | WW02F00028 | BANDA SECADORA                |
| 610  | WW02F00854 | BANDA SECADORA                |

Distribuidor Autorizado

**SurteRápido.com**

Venta de Refacciones  
Electrodomesticas

## SECADORA SMW819SDGCG11

| Guía | Refacción  | Descripción                  |
|------|------------|------------------------------|
| 616  | WW02F00722 | CAMARA DE COMBUSTION         |
| 620  | WW03L00372 | ALETA                        |
| 622  | WW02F00001 | DETECTOR TERMOSTATO          |
| 623  | WW03F00478 | ARNES GAS                    |
| 625  | WW03F00095 | DIFUSOR DE GAS               |
| 625  | WW02F00824 | DIFUSOR DE GAS               |
| 626  | WW02F00827 | DIFUSOR                      |
| 627  | WW03F00539 | DUCTO DE TRANSICION          |
| 628  | WW03F00097 | PLATO DIFUSOR                |
| 630  | WW02A00019 | ENS. SOPORTE BUJE            |
| 637  | WW02A00005 | RETENEDOR RODAMIENTO         |
| 640  | WW02F00833 | SOPORTE TIERRA ENS           |
| 700  | WW02A00102 | SCREW CHASSIS TO FRONT HSG.  |
| 704  | WW02A00031 | TORNILLO                     |
| 707  | WW01A00539 | TORNILLO                     |
| 711  | WW02A00101 | TORNILLO                     |
| 723  | WW03A00145 | TORNILLO HI/LO 8-18          |
| 728  | WW02A00114 | TUERCAS                      |
| 729  | WW03A00146 | ARANDELAS                    |
| 731  | WW02A00120 | CALZA                        |
| 732  | WW03A00092 | TORNILLO 6-16 B B1Q1 3/4     |
| 734  | WW03A00156 | TORNILLO 8-18 AB PNQ2        |
| 1103 | WW02A00032 | TORNILLO                     |
| 1106 | WW02A00027 | SCREW                        |
| 1115 | WW01A00450 | TORNILLO 8-18 AB 1/2         |
| 1120 | WW02A00224 | TORNILLO Y ARANDELA ENSAMBLE |
| 1121 | WW01A00001 | TORNILLO                     |
| 1128 | WW02A00211 | TORNILLO ESTANDARIZANTE      |
| 1157 | WW01A00456 | TORNILLO #10                 |