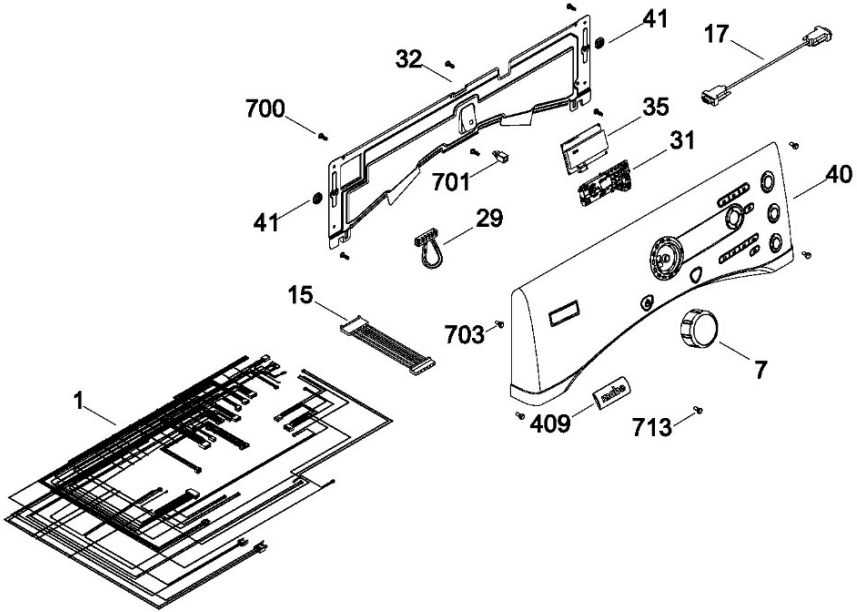


Secadora Mabe SMW819SXGBB00

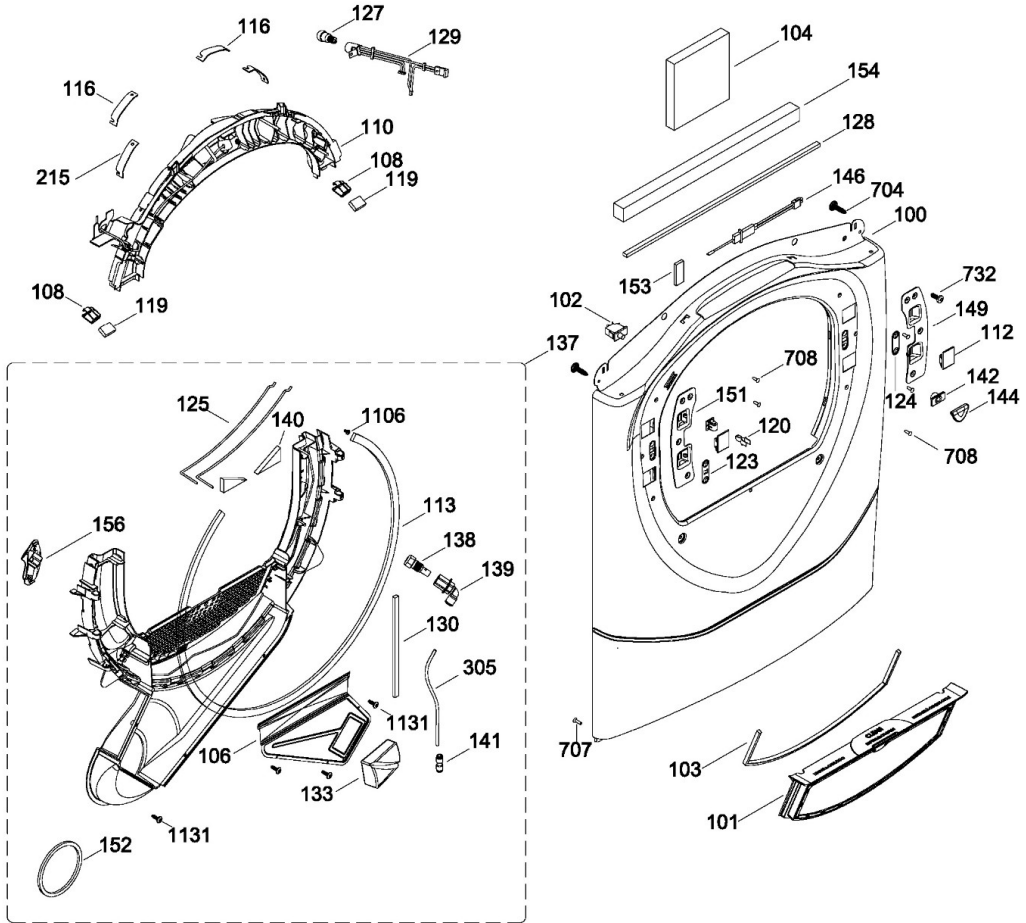


Distribuidor Autorizado

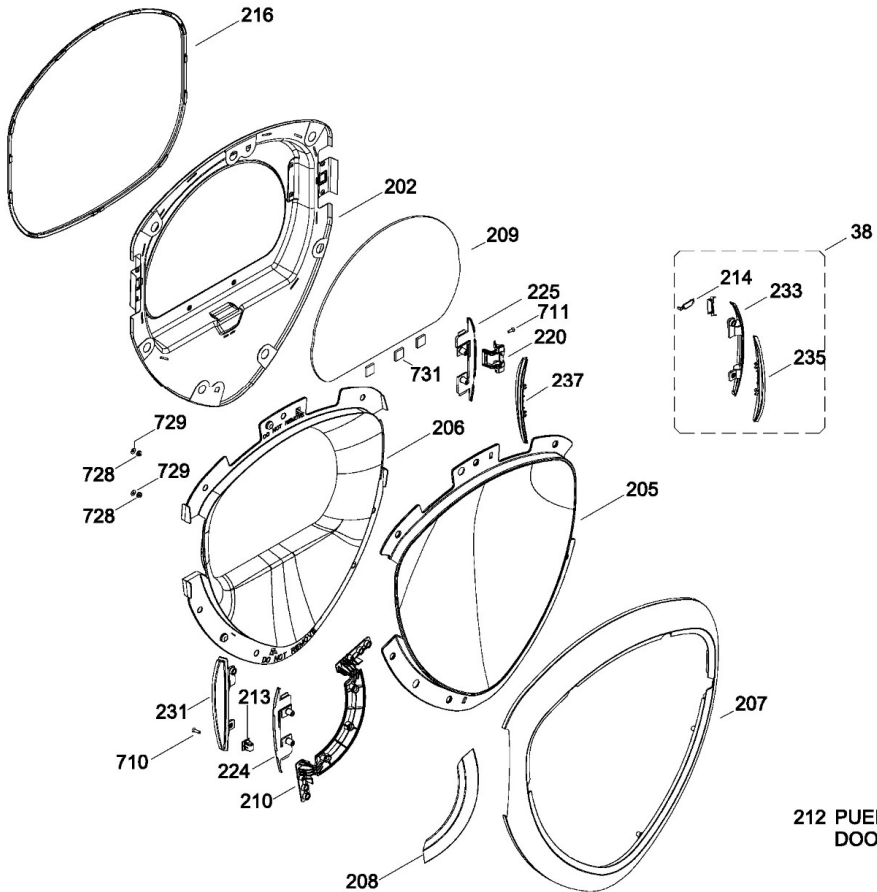
SurteRápido.com

Venta de Refacciones
Electrodomesticas

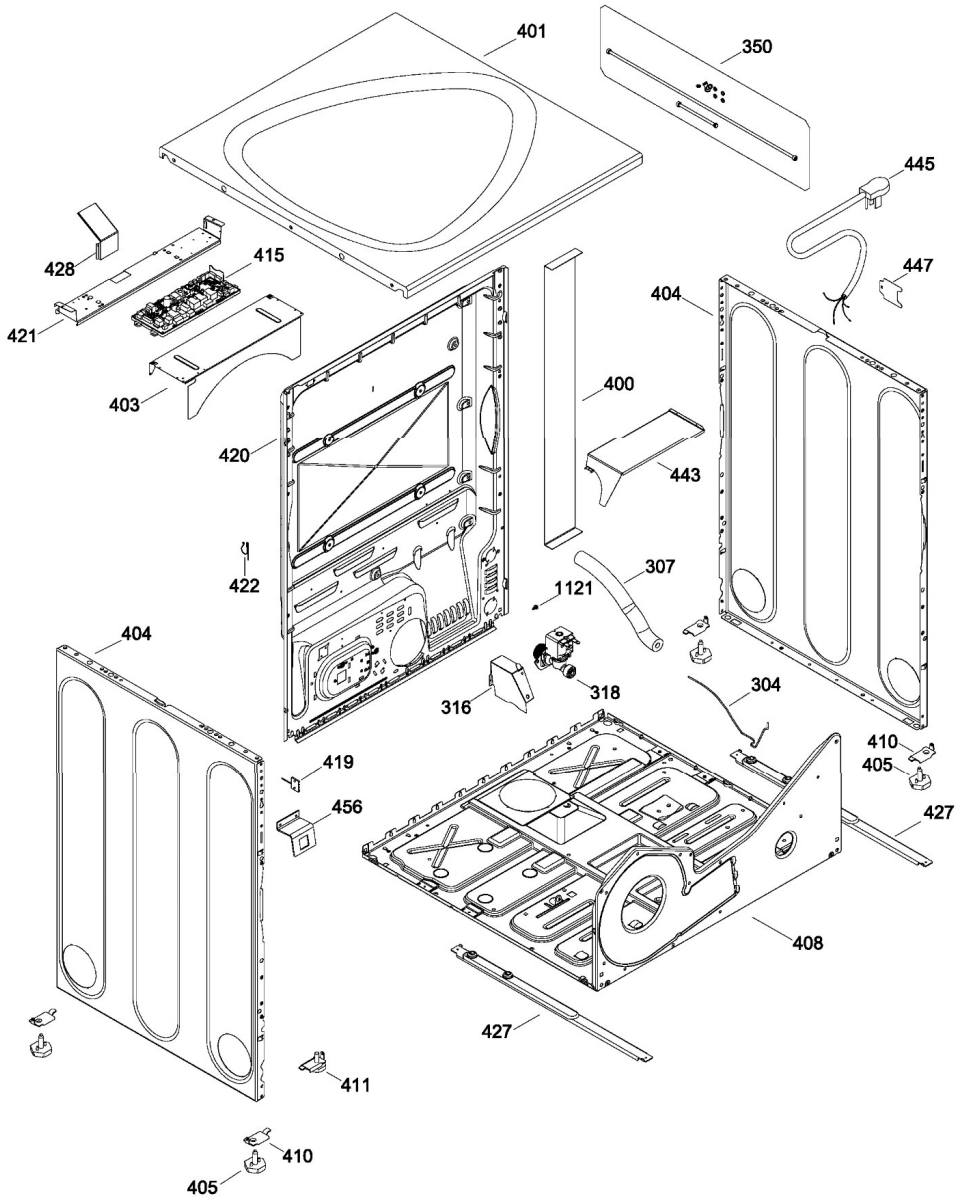
Secadora Mabe SMW819SXGBB00

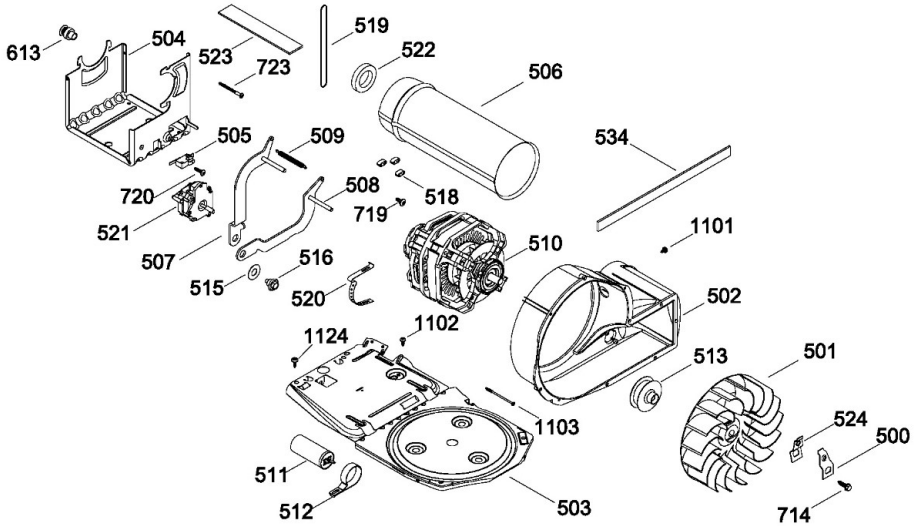


Secadora Mabe SMW819SXGBB00

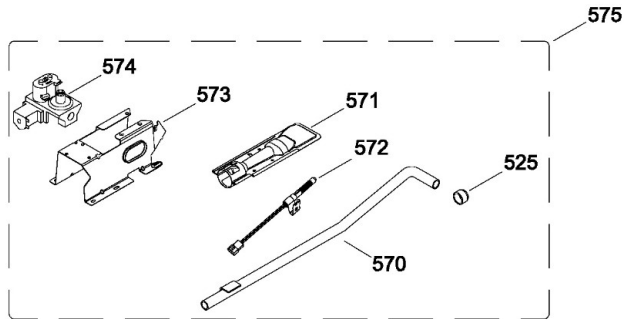


Secadora Mabe SMW819SXGBB00

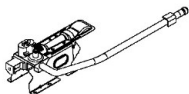




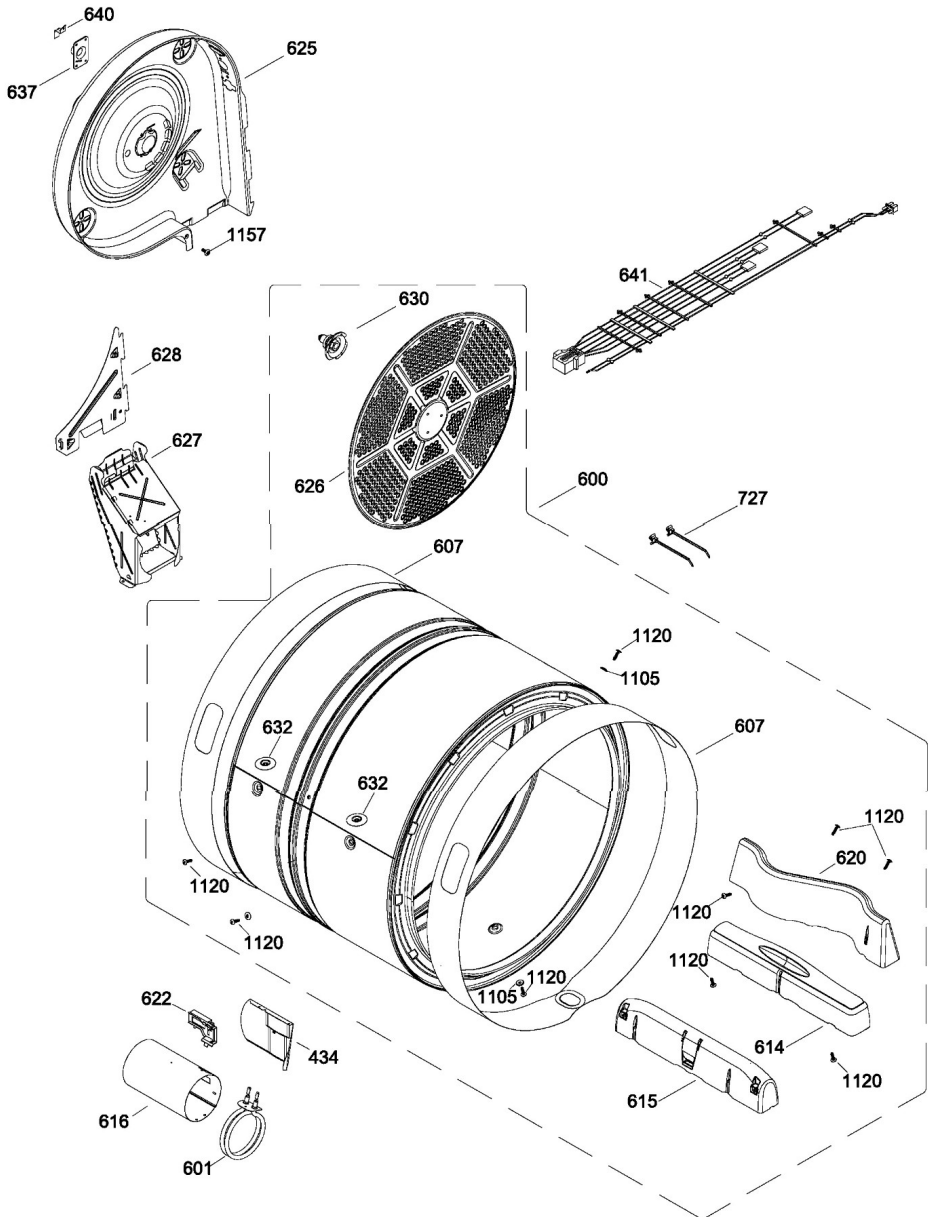
QUEMADOR / BURNER



578 KIT DE CONVERSIÓN



Secadora Mabe SMW819SXGBB00





Secadora Mabe SMW819SXGBB00

Guía	Componente	Descripción
1	234D1023G006	ARNES MAESTRO
7	323B4081G001	BASE DE PERILLA
15	248C1077G002	WIRING HARNESS: UI VFD AND
17	248C1119P001	COMMUNICATION CABLE (WASHER-DR
29	165D1349G006	ARNES (GAS)
31	234D1076G003	TARJETA CHASIS ENS
32	212D1403P001	FRONT SHIELD
35	248C1120P001	VFD DISPLAY BOARD
38	228C1247G002	KIT DE REVERSIBILIDAD
40	189D7162G007	PANEL FRONTAL ENS
41	248C1090P001	WHEEL FRONT SHIELD
100	212D1455P001	FRONT PANEL WHITE
101	212D1419G002	MARCO Y FILTRO ENS
101	212D1419G003	MARCO Y FILTRO ENS
102	248C1157P001	INTERRUPTOR PUERTA
103	364B7007P001	SELLO FILTRO
104	364B7025P002	PLACA AISLANTE
106	212D1497P001	TRAP DUCT COVER
106	212D1497P002	TRAP DUCT COVER
108	248C1109P001	DOOR SWITCH COVER
110	234D1194G002	SOPORTE SUPERIOR ENS.
112	364B6075P001	TAPON APERTURA FRONTAL(BCO)
113	323B4099P003	FELPA DUCTO RECOLECTOR
116	278B1139P002	COJINETE DESLIZABLE
119	364B6086P002	CLEANING FELT
120	143B9304P001	STRIKE
123	248C1028P001	STRIKE PLATE



Secadora Mabe SMW819SXGBB00

Guía	Componente	Descripción
208	248C1098P003	JALADERA SUPERIOR
209	212D1468P001	DOOR INNER WINDOW
210	248C1097P003	JALADERA INFERIOR
212	212D1465G005	PUERTA ENS
213	277B1082G001	SEGURO PUERTA
214	364B6074P003	CUBIERTA JALADERA
215	278B1139P001	COJINETE DESLIZABLE
216	189D7186P001	SELLO PUERTA
220	248C1100G001	HINGE ASSEMBLY
224	248C1106P001	INNER DOOR CAP LEFT
225	248C1106P002	INNER DOOR CAP RIGHT
231	248C1096P005	CUBIERTA PUERTA
233	248C1096P006	CUBIERTA PUERTA
235	248C1099P006	CUBIERTA BISAGRA
237	248C1099P005	CUBIERTA BISAGRA
304	323B4088P001	TUBO POSTERIOR
305	323B4088P002	TUBO FRONTAL
307	278B1097P001	AISLANTE
316	234D1066P001	PROTECTOR VALVULA DE AGUA
318	364B7053G002	VALVULA DE AGUA
350	364B7057G001	KIT MANGUERAS EXTERNAS
400	364B7070P001	PLACA AMORTIGUADOR
401	212D1451P001	TOP PANEL WHITE
401	212D1451P006	TOP PANEL WHITE
403	212D1495P001	PLACA POSTERIOR
404	189D7036P001	LATERAL(BCO)
404	189D7036P001P	LATERAL(BCO)



Secadora Mabe SMW819SXGBB00

Guía	Componente	Descripción
404	189D7036P009	LATERAL(BCO)
404	189D7036P010	LATERAL(BCO)
405	540B176P004	PATTE DE NIVELLEMENT
408	212D1452P002	CHASSIS BASE
409	277B1234P001	LOGO MABE
410	559C236P001	SUPPORT (PATTE DE NIVELLEMENT
411	559C235G006F	PATA NIVELADORA ENS
415	212D1521G013	TARJETA PRINCIPAL ENS.
419	364B7044P001	MOTOR CHANNEL FOAM
420	212D1454P003	REAR PANEL
420	212D1454P004	REAR PANEL
421	212D1765P001	MAIN POWER BOARD SUPPORT
422	267A3165P001	CORD SET RETAINER
427	212D1608P001	MOTOR SUPPORT CHANNEL
428	212D1746G001	PROTECTOR ENSAMBLE
434	234D1027P001	PROTECTOR TERMOSTATO
443	212D1713P001	PROTECTOR VALVULA DE GAS
445	559C210P007	POWER SUPPLY CORD
447	278B1144P001	TAPA TOMACORRIENTE
456	141A5987P002	BRIDE
500	141A6643P003	ABRAZADERA VENTILADOR
501	572D445P003	VENTILADOR REDONDO
502	212D1503P001	BLOWER HOUSING
503	234D1526P002	BASE MOTOR
504	212D1456P001	U-SUPPORT
505	248C1118P001	INTERRUPTOR PRESENCIA BANDA
506	572D559P005	EXHAUST DUCT



Secadora Mabe SMW819SXGBB00

Guía	Componente	Descripción
506	572D559P008	EXHAUST DUCT
507	364B6079G001	ARM & PIN LEFT ASSY
508	364B6082G001	BRAZO Y PERNO DER ENS
509	364B6085P001	SPRING IDLER
510	212D1459G001	ENS. MOTOR POLEA
511	228C1147P001	CAPACITOR
511	228C1259P001	CAPACITOR
512	228C1155P003	CAPACITOR HOLDER
513	238A5467P001	POLEA
515	323B2567P001	NYLON WASHER
516	364B6084P001	REVERSIBLE IDLER
518	102A3160P178	MOTOR RUBBER WASHER (GROMMET)
519	212D1487P001	BANDA
520	717B299P001	CLIP MOTOR
521	212D1088P004	BLOWER MOTOR (w/control)
522	364B7045P001	BLOWER MOTOR FOAM
523	540B189P001	ABSORBER FOAM
524	141A6643P004	ABRAZADERA VENTILADOR
525	102A3160P174	TAPA
534	364B7029P001	EMPAQUE ESCAPE SOPLADOR
534	364B7118P003	EMPAQUE ESCAPE SOPLADOR
570	254C1047G001	ENSAMBLE TUBERIA DE GAS
571	248C1176G001	QUEMADORES
572	123C7632G001	ALLUME-GAZ
572	248C1186P002	ALLUME-GAZ
573	212D1549P001	GAS VALVE BRACKET
573	212D1549P003	GAS VALVE BRACKET



Secadora Mabe SMW819SXGBB00

Guía	Componente	Descripción
574	212D1460P001	2-STAGE GAS VALVE
575	212D1488G001F	VALVULA DE GAS Y SOPORTE ENS
578	212D1488G050	KIT DE CONVERSION GN-P
600	189D4257G001	ENS TAMBOR 7.5 ENTERPRISE/S
601	364B7017P003	CALROD
607	212D1631P001	BANDA TAMBOR
613	364B7020P001	POLEA DE TRANSMISION
614	212D1464G002	BAFFLE AND SCREEN ASSEMBLY
615	212D1463G002	HANG DRY BAFFLE ASSEMBLY
616	228C4002P004	TUBO DE COMBUSTION
616	228C4002P009	TUBO DE COMBUSTION
620	212D1462P001	S-BAFFLE
622	109B8868G001	DETECTOR TERMOSTATO
625	212D1629P001	DIFUSOR GAS
625	234D1568P001T	DIFUSOR GAS
626	572D388P002	DIFUSOR
627	189D7033P001	DUCTO DE TRANSICION
627	189D7033P003	DUCTO DE TRANSICION
628	212D1825P001	PLACA DIFUSORA
628	233D1583P001T	PLACA DIFUSORA
630	248C1156G001C	SOPORTE Y FLECHA ENSAMBLE
632	540B326P001	RONDANDA BANDA
637	161B3251P004	RETENEDOR RODAMIENTO
640	278B1309G001	GROUND STRAP ASSEMBLY
640	278B1309G001F	GROUND STRAP ASSEMBLY
640	278B1309G002	GROUND STRAP ASSEMBLY



Secadora Mabe SMW819SXGBB00

Guía	Componente	Descripción
641	234D1024G001	ARNES DERECHO
700	540B004P084	SCREW CHASSIS TO FRONT HSG.
701	102A3160P187	ENCLOSED SCREW GROMMET
703	540B004P093	SCREW WHEEL MOUNTING
704	540B006P052	SCREW # 10
707	540B004P078	SCREW
708	540B004P085	SCREW
708	540B004P096	SCREW
710	540B004P095	SCREW #8 FOR DOOR HINGE CAP
711	540B004P083	TORNILLO
713	540B000P006	3/16 HEX FEMAL SCREW
714	540B008P007	TORNILLO
719	540B008P014	SCREWS
720	540B000P007	SCREW
723	364B7112P001	TORNILLO HI/LO 8-18
727	323B1455P001	TIE WRAP ARNESS
727	228C2109P003	TIE WRAP ARNESS
728	102A3141P108	TUERCAS
729	102A3143P126	ARANDELAS
731	364B6069P002	CALZA
732	278B1107P001	TORNILLO 6-16 B B1Q1 3/4
1101	540B006P020	TORNILLO
1101	278B1440P002	TORNILLO
1102	540B006P001	TORNILLO
1102	278B1440P002	TORNILLO
1103	540B006P046	TORNILLO
1105	102A3143P120	ARANDELA



Secadora Mabe SMW819SXGBB00

Guía	Componente	Descripción
1106	540B004P002	SCREW
1120	540B006P033	TORNILLO
1121	109B3403P052	TORNILLO
1124	540B006P032	TORNILLO
1131	540B004P062	TORNILLO
1157	540B006P031	TORNILLO #10