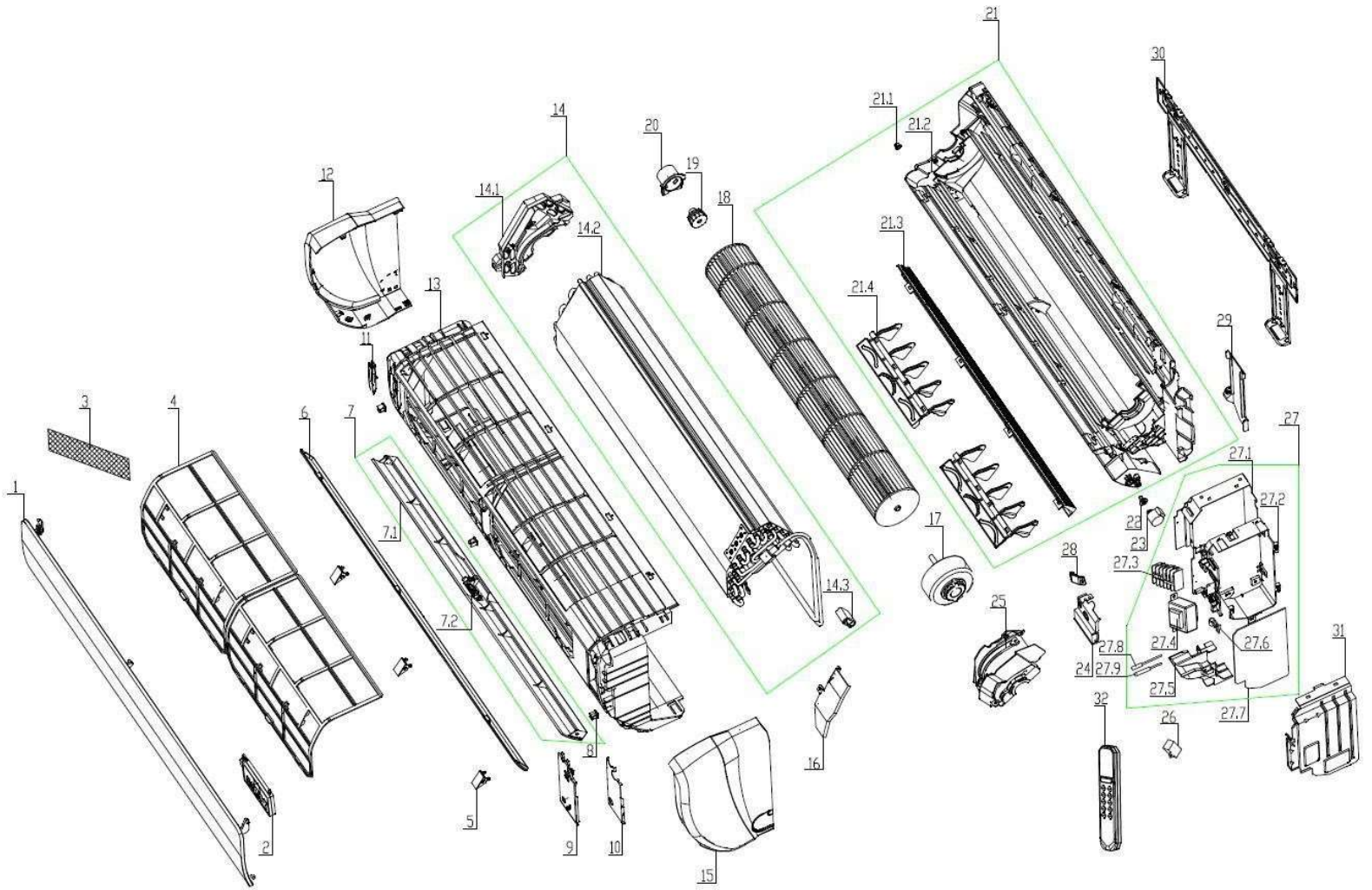


Distribuidor Autorizado

SurteRápido.com

Venta de Refacciones
Electrodomesticas

MINISPLIT SWA1048Q



Distribuidor Autorizado

SurteRápido.com

Venta de Refacciones
Electrodomesticas



MINISPLIT SWA1048Q

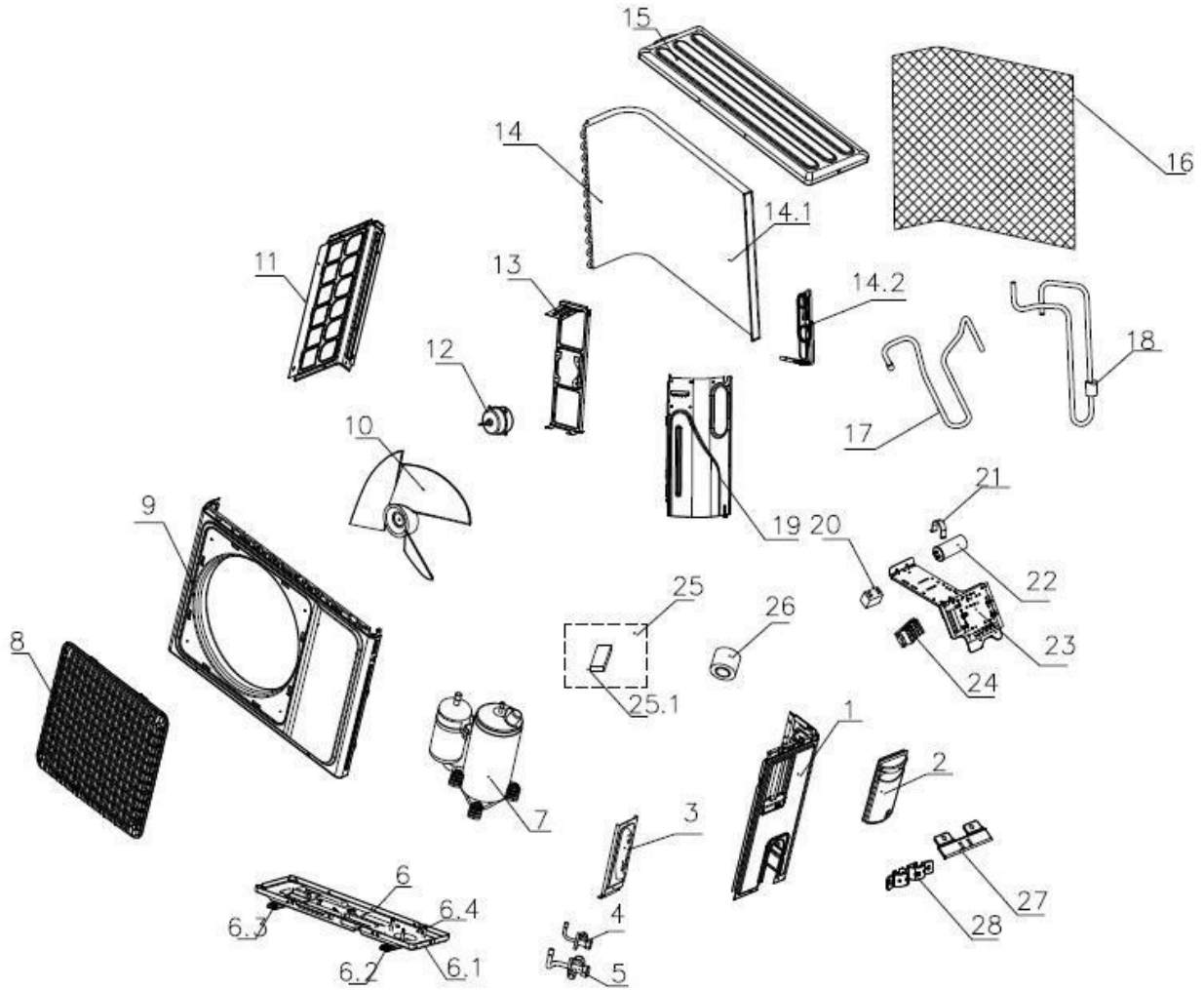
No. de Pzas	Descripcion	Cantidad	No. de Parte
1	panel	1	11320003002241
2	display board	1	11222014000649
4	filter	2	11220508000143
5	Screw cover	3	11320096000055
7	air louver (Horizontal)	1	11320005000247
7.1	air louver	1	11320080000007
8	panel clasp	1	11320106000008
9	medium frame wiring cover	1	11320076000063
11	Support rod	1	11320043000032
12	left cover	1	11320035000010
13	medium frame	1	11320002000199
14	Evaporator assembly	1	11224003000577
14.1	evaporator left side carriage	1	11320015000113
14.3	evaporator protecting bush	1	11320101000018
15	right cover	1	11320036000010
16	breakwater	1	11320065000028
17	IDU fan motor	1	11230003000171
18	cross flow fan	1	11220513000068
19	bearing assembly	1	11220551000003
20	bearing fixed chassis	1	11320062000028
21	chassis assembly	1	11220500000180
21.1	chassis shaft sleeve	1	11320079000010
21.2	chassis	1	11320001000217
21.3	air louver	1	11320135000016
21.4	left-right swing blade	2	11320017000119
22	step motor shaft sleeve	1	11320079000013
23	step motor	1	11230002000058
24	controller box metal plate	1	11221526000003
25	motor cover	1	11320052000032
27	Main controller	1	11222003002052
27.1	controller box sheet-metal B	1	11321012000006
27.2	control box	1	11320057000100
27.3	terminal board	1	11330037000028
27.7	Main control board	1	11222009002755
27.8	temperature sensor	1	11329013000103
28	power wire cable clamp	1	11320010000050
29	pipe clamp	1	11320084000015
30	mounting plate assembly	1	11321003000028
31	controller box sheet-metal A	1	11321012000005
32	Remote controller	1	13222001001035
39	Water plug	1	11333003000009

Distribuidor Autorizado

SurteRápido.com

Venta de Refacciones
Electrodomesticas

MINISPLIT SWA1048Q



Distribuidor Autorizado

SurteRápido.com

Venta de Refacciones
Electrodomesticas



MINISPLIT SWA1048Q

Referencia	Descripción	Cantidad	No. de Parte
1	right side board	1	11321007000287
2	E-parts cover	1	11321008000014
3	valve plate	1	11321031000027
4	stop valve	1	11325042000030
5	stop valve	1	11225517000006
6	Chassis assembly	1	11221502000434
6.1	chassis	1	11321014000144
6.2	Right foot	2	11321023000012
6.3	Left foot	2	11321023000012
6.4	Pump foot bolts	3	14731005000024
7	Compressor and accessories	1	11223003000316
8	panel grille	1	11320026000038
9	panel	1	11321005000104
10	axial flow fan	1	11320009000049
11	left side board	1	11321006000108
12	Motor	1	11230004000361
13	motor support	1	11321002000039
14	Condenser assembly	1	11224004001563
14.1	condenser assembly	1	11224006000471
14.2	Capillary assembly	1	11225506001598
15	top cover	1	11321009000033
16	Isolated cardboard	1	11320026000009
17	suction pipe assembly	1	11225504000075
18	discharge pipe assembly	1	112255050000832
19	partition board	1	11321025000047
20	Fan motor capacitor	1	11330010000115
21	Capacitor clamp	1	11321001000029
22	Compressor capacitor	1	11330009000100
23	E-parts bracket	1	11321015000033
24	terminal board	1	11330037000127
25	Accessories bag	1	11219005000191
25.1	putty	1	14618079000002
26	Tie	1	11320022000016
28	Power cable clamp	1	11220544000008