

Whirlpool

SERVICE

CENTRO DE SOLUCIONES



LO ORIGINAL MARCA DIFERENCIA

EXPLOSIONADO DE PARTES

- MINI SPLIT -

MODELO | SWA5267Q

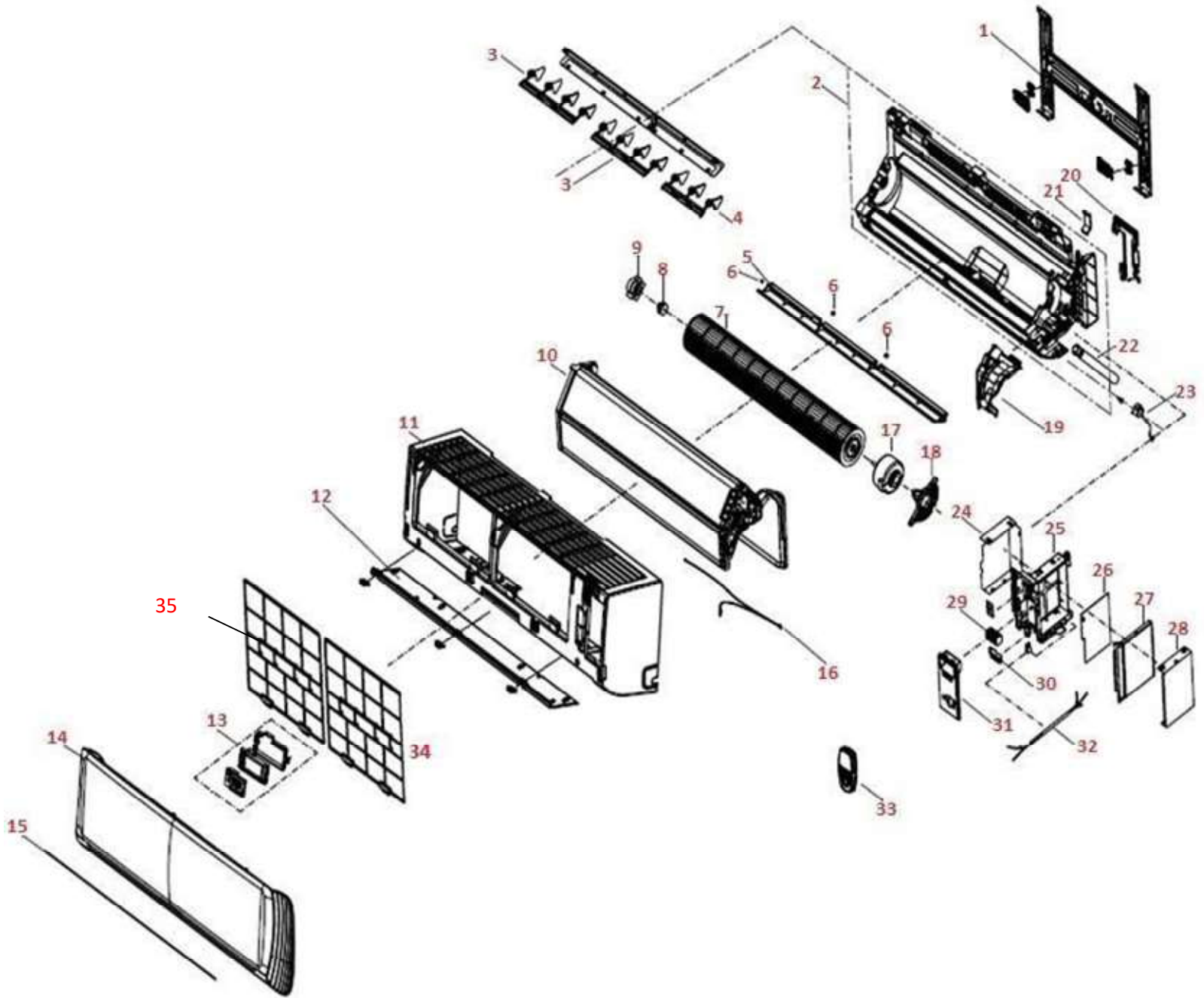
acros

Whirlpool
CORPORATION

MAYTAG

KitchenAid

MINISPLIT SWA5267Q

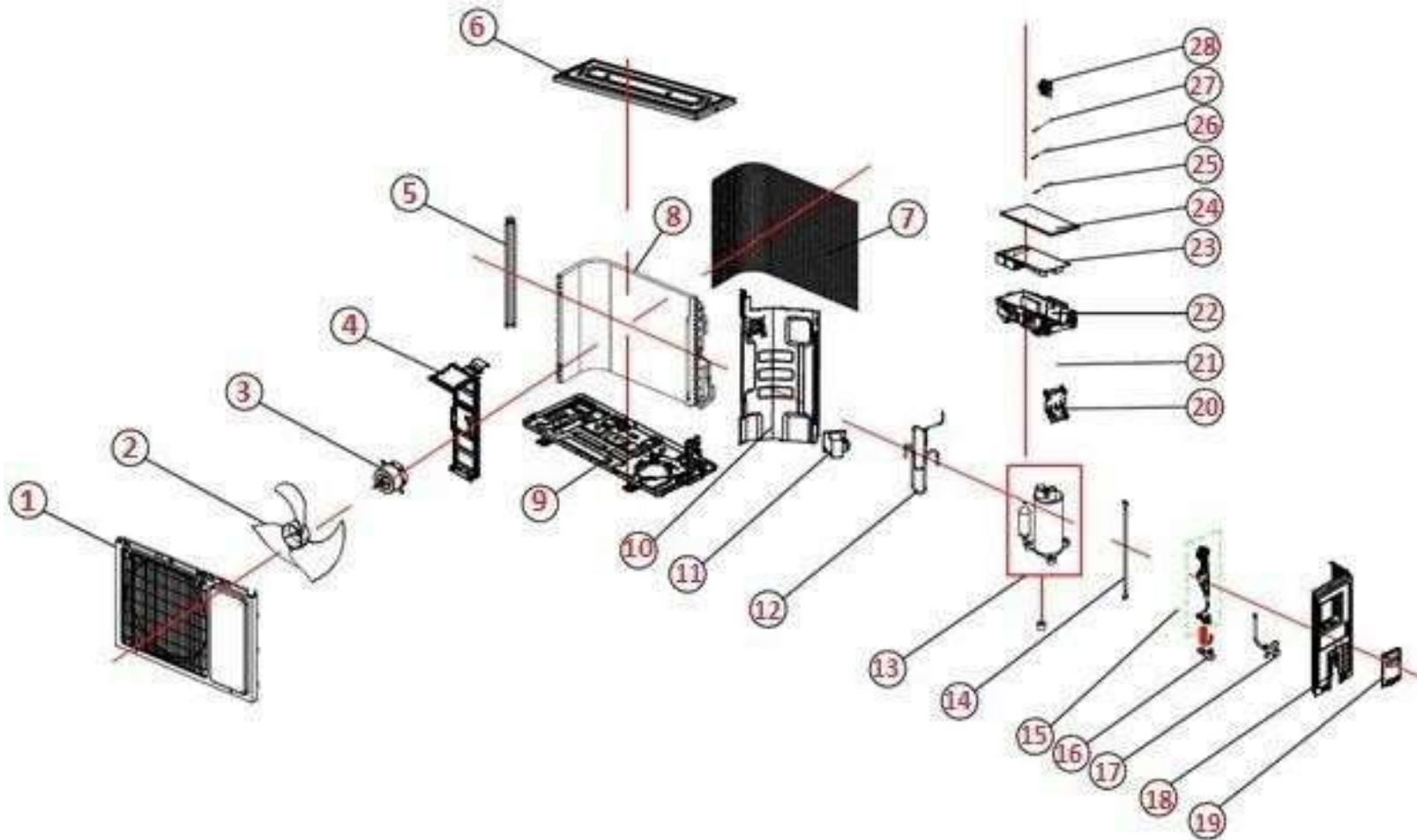




MINISPLIT SWA5267Q

No. Ilustración	Descripción	No. Parte
1	INSTALLATION PLATE ASSY	1863828
2	BASE HOLDER PART	1867414
3	LEVEL VANE	1541457
4	VERTICAL LEVEL VANE	1550294
5	LEVEL VANE	1541363
6	AXIS SHEATH	1222824
7	CROSS-FLOW FAN BLADE	1541633
8	BEARING	1223738
9	BAFFLE	1465670
10	EVAPORATOR ASSEMBLY	1556057
11	SHELL	1856686
12	DECORATIVE PANEL	1856687
13	DISPLAY COMPONENT	1859895
14	PANEL	4046888
15	DECORATIVE STRIP	4046958
16	TEMPERATURE SENSOR	1383891
17	FAN MOTOR	1561456
18	MOTOR COVER	1541374
19	MOTOR GUARD	1541373
20	BAFFLE	1541361
21	BAFFLE	1541370
22	WATER PIPE PARTS	1470426
23	STEP MOTOR	1819726
24	ELEC JOINT BOX PLATE	1541500
25	ELECTRIC BOX	1840138
26	INDOOR MAIN CONTROL BOARD COMPONENT	1875316
27	ELECTRIC BOX COVER	1541378
28	ELECTRIC BOX COVER	1541507
29	WIRE TERMINAL BOARD	1262152
30	OVER CLAMP	1840141
31	WIRING DISTRIBUTION COVER ASSY	1541379
32	AC POWER CORD	NA
33	REMOTE CONTROLLER	4046900
34	FILTER	1541387
35	Carbon filter	1542897

MINISPLIT SWA5267Q



MINISPLIT SWA5267Q

No. Ilustración	Descripción	No. Parte
1	PANEL PARTS	1844019
2	PROPELLER FAN BLADE	1841783
3	FAN MOTOR	1841930
4	MOTOR SUPPORTER	1841749
5	MOUNTING PLATE	1841772
6	UPPER BOARD	1841779
7	BACK GUARD	1847186
8	CONDENSER ASSEMBLY	1854638
9	BASE HOLDER PART	1844016
10	CLAPBOARD	1841986
11	PFC INDUCTANCE	1205797
12	COMPRESSOR TUBE ASSEMBLY OF THE COOLING ONLY PRODUCT	1854381
13	COMPRESSOR	1830018
14	STRONG ELECTRICITY CONNECT WIRE	1847142
15	CAPILLARY ASSEMBLY	1854359
16	2-WAY VALVE	1849152
17	3-WAY VALVE	1849153
18	RIGHT SIDE BOARD	1841776
19	WIRING DISTRIBUTION COVER ASSY	1849016
20	CONNECTING BOARD	1842392
21	WIRE TERMINAL BOARD	1852125
22	ELECTRIC BOX	1841985
23	CONTROLLER COMPONENT	1874775
24	ELECTRIC BOX COVER	1546706
25	TEMPERATURE SENSOR	1472663
26	TEMPERATURE SENSOR	1511780
27	TEMPERATURE SENSOR	1831029
28	SENSOR MOUNTING PLATE	1546721