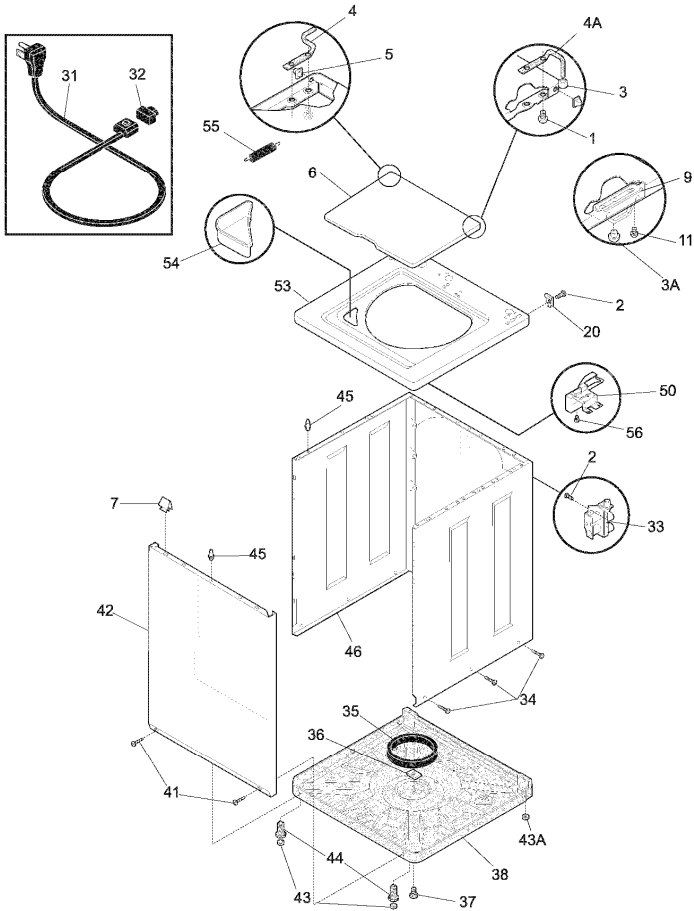


SWS1339CC1 GABINETE

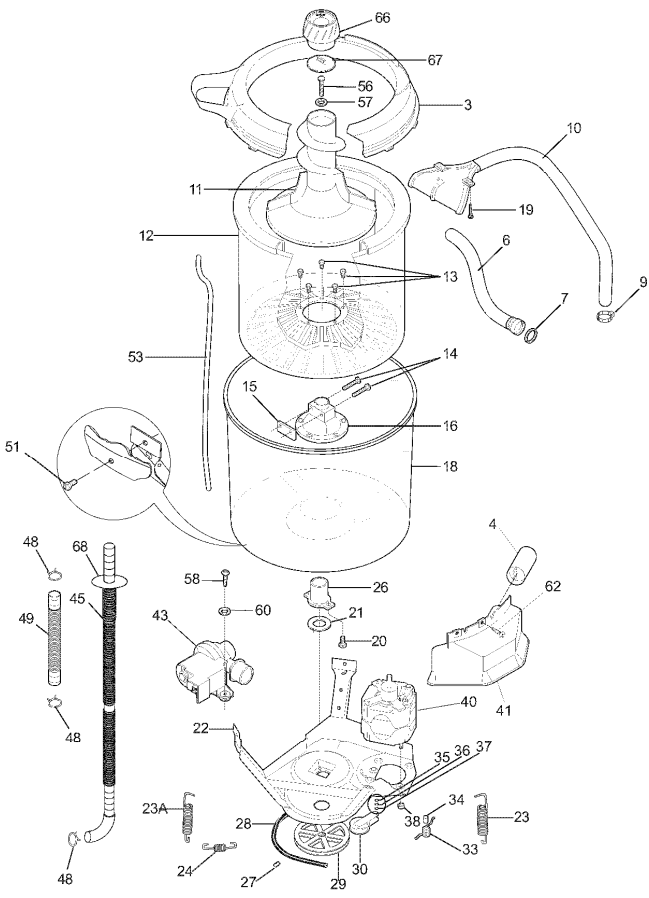




SWS1339CC1 GABINETE

1	134203900	SCREW,PAN HD PHILLIPS ,6-32 X 0.337 (S/P)
2	131168200	SCREW,PAN HEAD ,8-18B X 0.31 (S/P)
3	131433300	BUMPER,LID HINGE (S/P)
4	131385910	HINGE BAR,LH (S/P)
5	5303208743	GROMMET,HINGE (S/P)
6	131374401	LID,WHITE (S/P)
7	3205821	CLIP, TOP-TO-FRONT (S/P)
9	131390000	LID STRIKE
11	3204368	SCREW,LID STRIKE MTG ,6-20B X 0.375 (S/P)
20	5303208751	HINGE, TOP PANEL ,CABINET REAR
31	134501000	POWER CORD,ELECTRIC SVCE (S/P)
32	5303209428	BUSHING,POWER CORD (S/P)
34	131205500	SCREW,CAB BODY ,1/4-14 X 0.625 (S/P)
35	5308002385	SNUBBER RING
36	3204380	SHIPPING BLOCK (S/P)
38	5303311213	BASE ASSEMBLY (S/P)
41	131258400	SCREW,10-16AB X 0.500 (S/P)
42	131104303	PANEL,FRONT ,WHITE (S/P)
43	131422100	PAD,LEVELING LEG ,FRONT
44	5303309673	SCREW,LEVELING LEG ,WITH PAD
45	131346400	PIN,PANEL LOCATOR ,SIDE (S/P)
46	134046600	CABINET ASSY,WHITE ,BACK AND SIDES (S/P)
53	131452692	PANEL,WHITE ,TOP (S/P)
54	5303208778	DISPENSER,BLEACH (S/P)
55	5303212876	SPRING,LID ASSIST
56	215822000	SCREW,PAN HEAD ,8-18AB X 0.375 (S/P)
43A	131422200	PAD,SELF LVLG LEG ,REAR (S/P)
F33	134190200	VALVE,WATER ,115 V
4A	131374220	HINGE BAR,RH (S/P)
F50	134101800	LOCK,LID ,W/EXT SWITCH
3A	134075500	BUMPER,LID ,FRONT

SWS1339CC1 TINAS



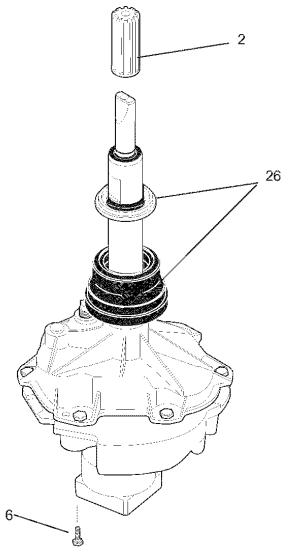
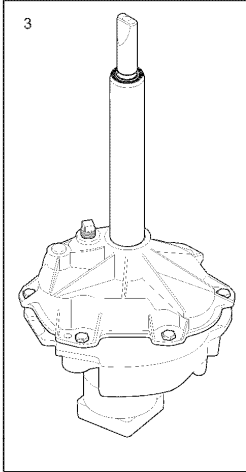


SWS1339CC1 TINAS

3	131551103	COVER,SPLASH TUB ,WITH SEAL
6	131279600	HOSE,WATER INLET ,4 FT. ,HOSE & WASHER (S/P)
7	5303161296	WASHER,INLET HOSE (S/P)
9	5303304824	CLAMP
10	131726300	HOSE ASSY,W/NOZZLE,CLAMP
12	131221310	TUB,SPIN (S/P)
13	5303283293	SCREW,TRUNION ,5/16-18 X 0.625 ,(5)
14	131192800	SCREW,LOCKPLATE ,5/16-18 X 1.625 (S/P)
15	137107000	PLATE,LOCK
16	131545101	TRUNNION
18	131557201	TUB,SPLASH ,W/AIR DOME,BRG (S/P)
19	131205300	SCREW,10-16 X 0.750 (S/P)
20	3205150	SCREW,TUB BEARING ,8-12B X 0.750 (S/P)
21	5308002401	WASHER,SPIN BEARING ,UPPER (S/P)
22	131373610	LEG & DOME ASSY
23	5303208858	SPRING,VERTICAL ,SHORT
24	131373900	SPRING,HORIZONTAL
27	5303304825	SCREW,SET,HEX HD CUP ,5/16-18 X 0.85 (S/P)
33	3204425	SPRING,TORSIONAL
34	3204426	SLEEVE,IDLER PIVOT
35	3161433	RING,RETAINING (S/P)
36	5303261031	WASHER,PIVOT SHAFT
37	5303161306	WASHER,SPRING TYPE
38	5303318708	NUT,HEX FLANGE ,MOTOR MOUNTING (S/P)
41	5303283052	· SPEED NUT,MOTOR SHIELD ,STEEL CLIP (S/P)
41	131513300	· SHIELD,MOTOR ASSY ,W/SPEED NUTS (S/P)
45	134049200	HOSE,DRAIN
48	131306234	CLAMP,PUMP TO TRAP (S/P)
51	134164400	SCREW,HEX WASHER HEAD ,5/16-18 X 0.625 (S/P)
53	5300771996	TUBE,PRESSURE ,VINYL (S/P)
56	131468900	SCREW,AGITATOR MTG ,5/16-18 X 1.250 (S/P)

57	131339600	SPACER,AGITATOR MTG ,RUBBER (S/P)
58	134160900	SCREW,QUADREX ,10-16AB X 0.750 (S/P)
60	5303304015	WASHER,0.21 X 0.71 ,0.06 THICK (S/P)
62	131258400	SCREW,10-16AB X 0.500 (S/P)
66	131624500	AGITATOR CAP ASSY,DISPENSER CUP (S/P)
67	131606210	MECHANISM,DISP CAP ASSY ,DUAL ACTION
68	131707800	RING,DRAIN HOSE (S/P)
F41	131715800	SHIELD,MOTOR ASSY ,W/CAPACITOR,NUT (S/P)
F4	131212301	CAPACITOR,MOTOR (S/P)
F49	131494800	HOSE,PUMP TO TUB
NI	131506500	CLIP,DRAIN HOSE ,BACK SHEET ,(2) (S/P)
NI	131453000	BUSHING,SNAP-IN ,DRAIN HOSE (S/P)
NI	131462500	CLIP,DRAIN HOSE ,BASE (S/P)
F29	131498300	PULLEY,XMSN DRIVE
F11	131605901	AGITATOR ASSY,DUAL ACTION
NI	131663500	CUSHION,DRAIN HOSE ,BASE (S/P)
F30	131862900	IDLER ARM ASSY,VAW ,WITH PULLEY
NI	131901400	SEAL,SPLASH COVER
F28	131686100	V-BELT,WASHER DRIVE ,STANDARD 4L
F43	134051200	PUMP,DRAIN
F40	131902700	MOTOR,3/4 HP,2 SPEED ,WITH PULLEY
F26	3204405	BEARING,OUTER TUB
NI	5303212877	INSERT,SPRING ADJUSTER ,VERTICAL
23A	5303208860	SPRING,VERTICAL (S/P)
NI	5303309503	CLIP,DRAIN HOSE ,BACK SHEET (S/P)

SWS1339CC1 TRANSMISION

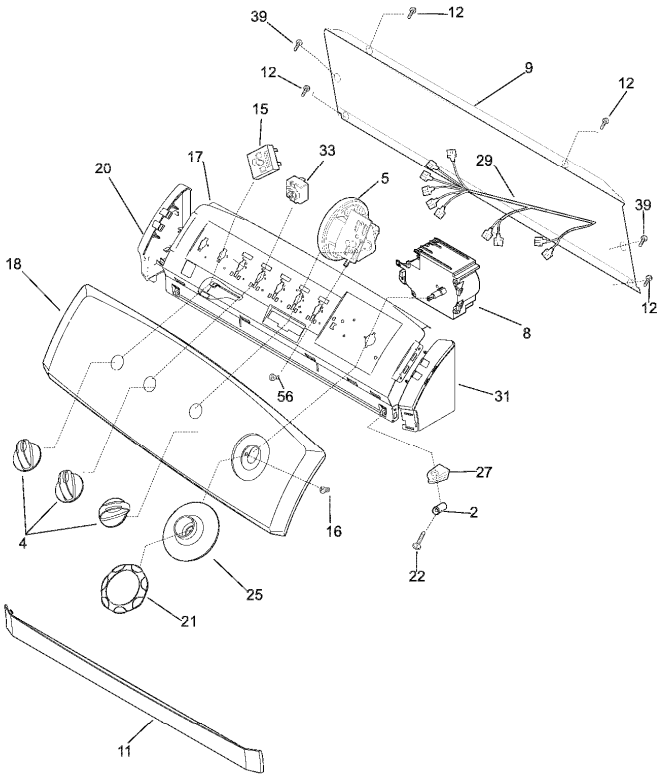




SWS1339CC1 TRANSMISION

6	134197900	SCREW,HEX WASHER HEAD ,1/4-20 X 0.437 (S/P)
F3	134737100	TRANSMISSION ASSY,H+HELICAL GEAR
F26	5308950197	SEAL ASSY,TUB ,TRANSMISSION
F2	134418700	HUB,DRIVE ,AGITATOR

SWS1339CC1 TABLERO





SWS1339CC1 TABLERO

2	134096100	SPACER,CONSOLE MTG (S/P)
4	134844412	KNOB,ROTARY ,GRAPHITE/SILVER
8	134049500	TIMER,5-OFF
9	131992910	PANEL,BACKSHEET ,CONSOLE (S/P)
11	134019920	CLOSURE,CONSOLE TRIM ,SILVER ,FRONT (S/P)
16	131477001	SCREW,PAN HEAD ,10-16AB X 0.375 (S/P)
17	131993000	BRACKET,CONTROL MTG. (S/P)
18	134325200	PANEL,TRIMPLATE ,CONSOLE FRONT (S/P)
20	134019621	END CAP,SILVER ,LH (S/P)
21	134035202	KNOB,TIMER ,GRAPHITE ,ASSY (S/P)
22	131266330	SCREW,8-18 X 1.250 (S/P)
25	134035102	POINTER,TIMER KNOB ,GRAPHITE ,SILVER IND. (S/P)
27	131197000	CLIP,CONSOLE MTG (S/P)
31	134019620	END CAP,SILVER ,RH (S/P)
39	131205100	SCREW,NO.8 PAN HEAD ,10-10B X 0.500 (S/P)
56	131243800	SCREW,PAN HD LOCKING ,8-32CA X 0.375 (S/P)
F5	134686100	SWITCH,PRESSURE ,INFINITE
F33	134904500	SWITCH,2 POSITION (S/P)
F15	134407700	SWITCH,TEMP SELECTOR ,3 POSITION (S/P)
F29	134401600	WIRING HARNESS (S/P)