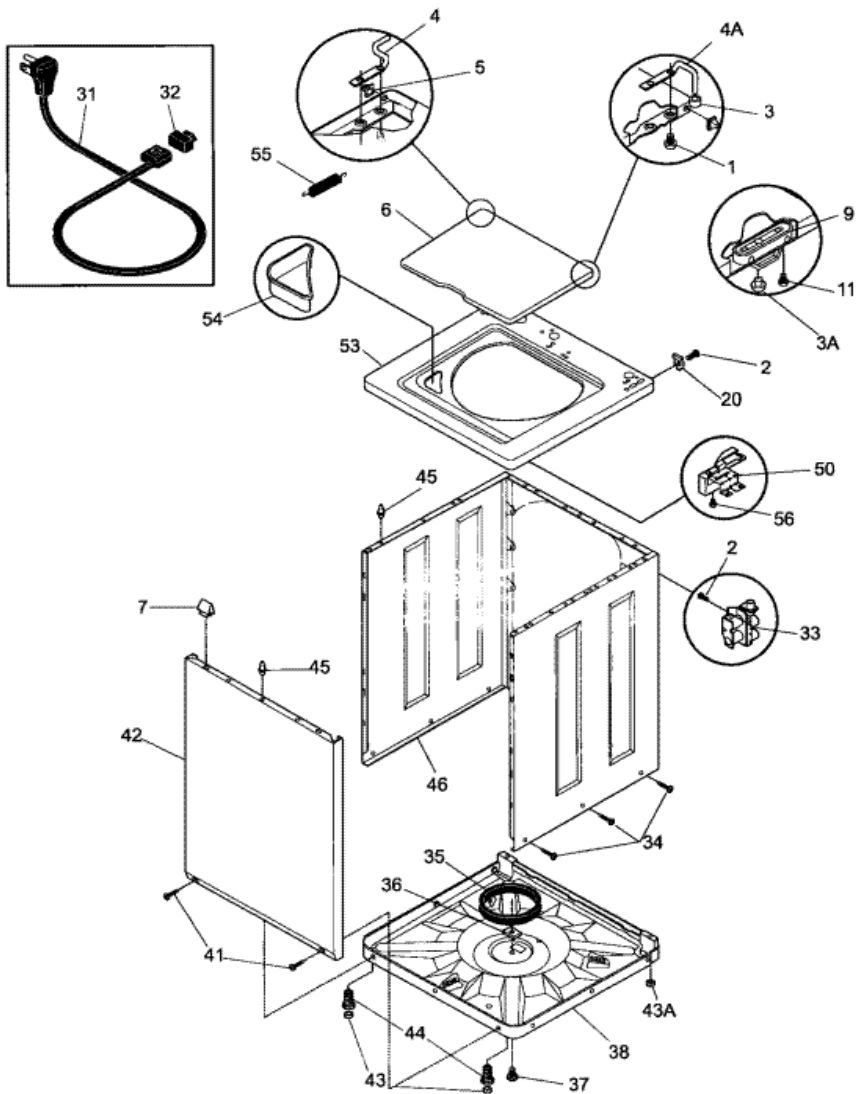


Distribuidor Autorizado

SurteRápido.com

Venta de Refacciones
Electrodomesticas

SWS1549AQ0 GABINETE





SWS1549AQ0 GABINETE

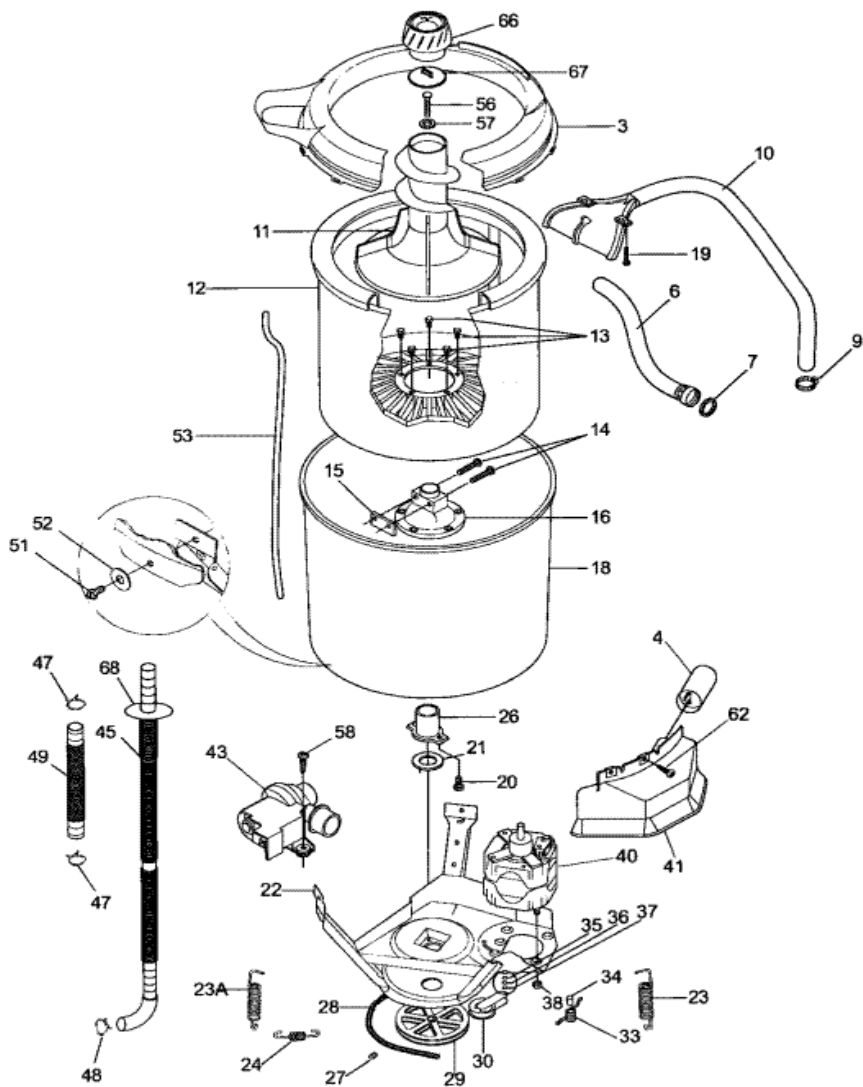
1	131587500	SCREW-HINGE,PPH 45DEG HDRPT (S/P)
2	131168200	SCREW,8-18 X 0.31 (S/P)
3	131433300	BUMPER-HINGE (S/P)
4	131385910	HINGE-BAR,LH (S/P)
5	5303208743	GROMMET-LID (S/P)
6	131374404	LID-BISQUE NO INST (S/P)
7	3205821	CLIP-TOP PANEL,TO FRONT PANEL (S/P)
9	131390000	STRIKE-LID
11	3204368	SCREW-STRIKE,PFH B `6-20X.375 (S/P)
20	5303208751	HINGE-REAR CABINET
31	134501000	CORD-SERVICE (S/P)
32	5303209428	BUSHING-CORD (S/P)
34	131205500	SCREW-BODY`1/4-14 X 0.625 (S/P)
35	5308002385	RING-SNUBBER (S/P)
36	3204380	BLOCK-SHIPPING (S/P)
37	131658900	SCREW-SHIPPING (S/P)
38	5303311213	BASE ASSEMBLY (S/P)
41	131258400	SCREW-FRONT (S/P)
42	131104306	BSQ FRT PNL FSW & LC (S/P)
43	131422100	PAD-LEVELING LEG
44	5303309673	LEG-LEVELING,WITH PAD
45	131346400	PIN-LOCATING (S/P)
46	134046603	ASMY-3 PC CABINET-BISQUE (S/P)
50	134101800	LOCK-LID
53	131452656	DESCONTINUADO
54	5303208778	DISPENSER-BLEACH (S/P)
55	134890500	SPRING-LID (S/P)
56	131243800	SCREW-BRKT TOP,PAN HD LOCKING (S/P)
43A	131422200	PAD-LEVEL LEG (S/P)
4A	131374210	HINGE-BAR,RH (S/P)
F33	134190200	VALVE-WATER
3A	134075500	BUMPER-LID

Distribuidor Autorizado

SurteRápido.com

Venta de Refacciones
Electrodomesticas

SWS1549AQ0 TINA



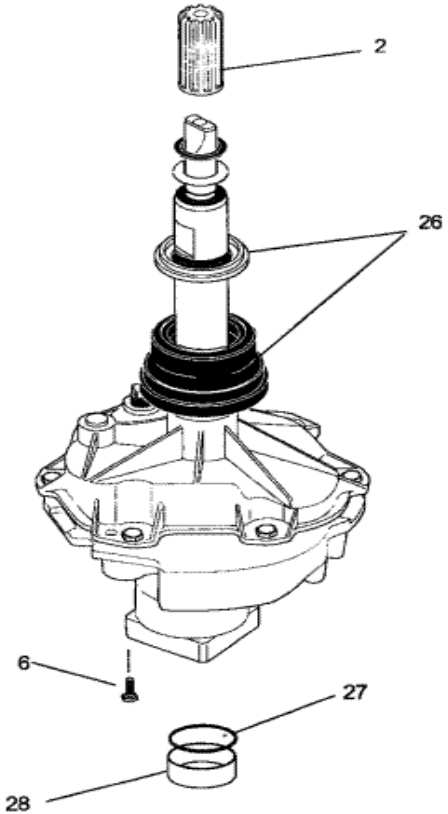
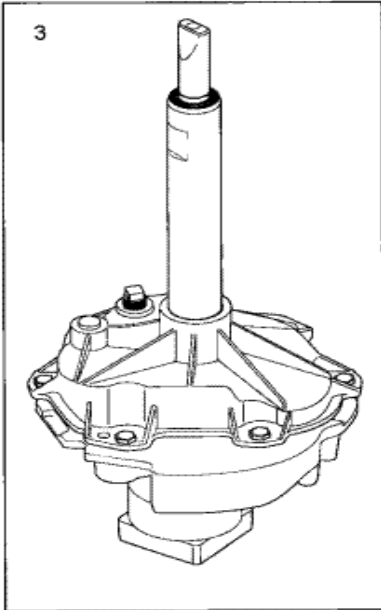


SWS1549AQ0 TINA

3	131551103	ASMY-SPLASH TUB COVER H+
4	131212301	DESCONTINUADO
6	131279600	HOSE-INLET (S/P)
7	5303161296	WASHER-INLET HOSE (S/P)
9	5303304824	CLAMP
10	131726300	HOSE,NOZZLE, & CLAMP
11	131605901	ASSY-AGITATOR-DUAL ACTION
12	131221300	TUB-SPIN (S/P)
13	5303283293	SCREW-TRUNNION,
14	131192800	SCREW-LOCKPLATE,HX ` .312-18 X.1.625
15	137107000	LOCK PLATE
16	131545101	TRUNNION
18	131557201	TUB-SPLASH,WAIR DOME,BRNG (S/P)
19	131205300	SCREW` 10-16X.75 (S/P)
20	3205150	SCREW-TUB BEARING,PPH B ST/Z (S/P)
21	5308002401	WASHER,SPIN BEARING ,UPPER
22	131373610	LEG & DOME ASSY
23	5303208858	SPRING-VERTICAL,SHORT
24	131373900	SPRING-HORIZONTAL
26	3204405	BEARING-OUTER TUB
27	5303304825	SCREW-SET,HHD CUP PT (S/P)
29	131498300	PULLEY-TRANSMISSION DRIVE
30	131862900	ASMY-VAW IDLER ARM
33	3204425	SPRING-TORSION
34	3204426	SLEEVE-IDLER
35	3161433	RING-RETAINING
36	5303261031	WASHER-PIVOT SHAFT
37	5303161306	WASHER-SPRING
38	5303318708	NUT-MOTOR (S/P)
40	131902700	MOTOR/PULLEY 3/4HP 2SP EMERSON
41	131513300	SHIELD-MOTOR (S/P)
43	134051200	ASMY-PUMP
47	5303294768	CLAMP-HOSE TO TUB (S/P)

48	131306234	CLAMP-PUMP (S/P)
51	131659000	SCREW-LEG,HWH TYP23 `5/16-18X.875 (S/P)
52	3005891	WASHER-LEG,IDX.040 `1.25 ODX.335 (S/P)
53	5300771996	TUBE-PRESSURE (S/P)
56	131468900	SCREW-AGITATOR,HWH SHLDR (S/P)
57	131339600	SPACER-AGITATOR (S/P)
58	131464900	SCREW-PUMP-TO BRACKET (S/P)
62	131258400	SCREW-FRONT PNL,COMB TH AB , (S/P)
66	131624500	CUP/CAP ASSY (S/P)
67	131606210	CAP ASSEMBLY
68	131707800	RING-DRAIN HOSE (S/P)
F49	131494800	HOSE-PUMP TO TUB
F28	131686100	BELT-WASHER
F45	131461200	HOSE-DRAIN,90 INCH
23A	5303208860	SPRING-VERTICAL

SWS1549AQ0 TRANSMISION



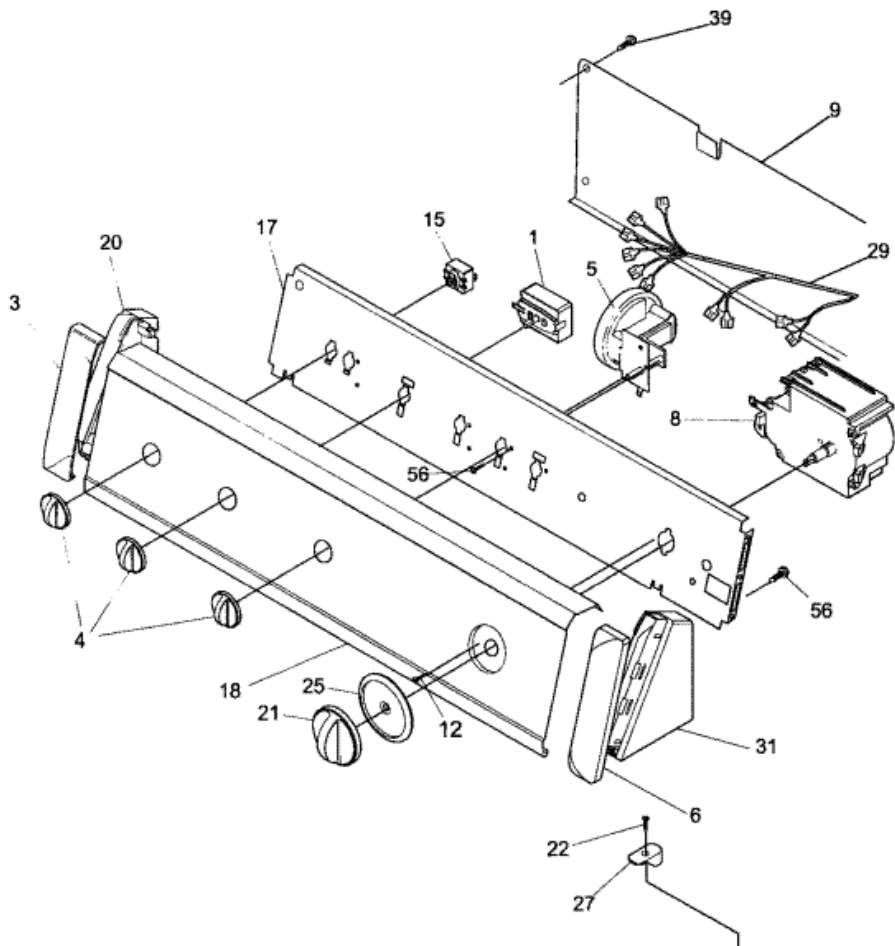
2	134418700	HUB-DRIVE
3	134737100	TRANSMISSION-COMPLETE
26	5308950197	SEAL-TUB
27	131784300	DESCONTINUADO
28	131784400	SPACER-TRANS BRG BLOCK-KOYO (S/P)

Distribuidor Autorizado

SurteRápido.com

Venta de Refacciones
Electrodomesticas

SWS1549AQ0 TABLERO





SWS1549AQ0 TABLERO

3	131122613	END CAP COVER-LH BSQ ULTRA (S/P)
4	131141107	KNOB-ROT BSQ/DRK BROWN
6	131122603	END CAP COVER-RH BSQ ULTRA (S/P)
8	131856400	TIMER-ELEC Y
9	134088700	BACKSHEET (S/P)
12	131168200	SCREW,8-18 X 0.31 (S/P)
17	131580006	BRACKET-CONTROL (S/P)
18	134104300	DESCONTINUADO
20	131122713	END CAP LH BSQ-ULTRA,20 (S/P)
21	131592004	KNOB-TIMER BSQ
22	131266300	SCREW-END CAP (S/P)
25	131592104	DIAL-TIMER ALMD (S/P)
27	131197000	CLIP-CONTROL PANEL (S/P)
29	131794300	HARNESS-WASHER WIRING (S/P)
31	131122703	END CAP RH BSQ-ULTRA,31 (S/P)
39	131205100	SCREW,NO.8 PAN HEAD (S/P)
56	131243800	SCREW-BRKT TOP,PAN HD LOCKING, (S/P)
F15	131081200	SWITCH-TEMPERATURE
F1	131120400	SWITCH-SPEED
F5	134680100	SWITCH-PRESSURE