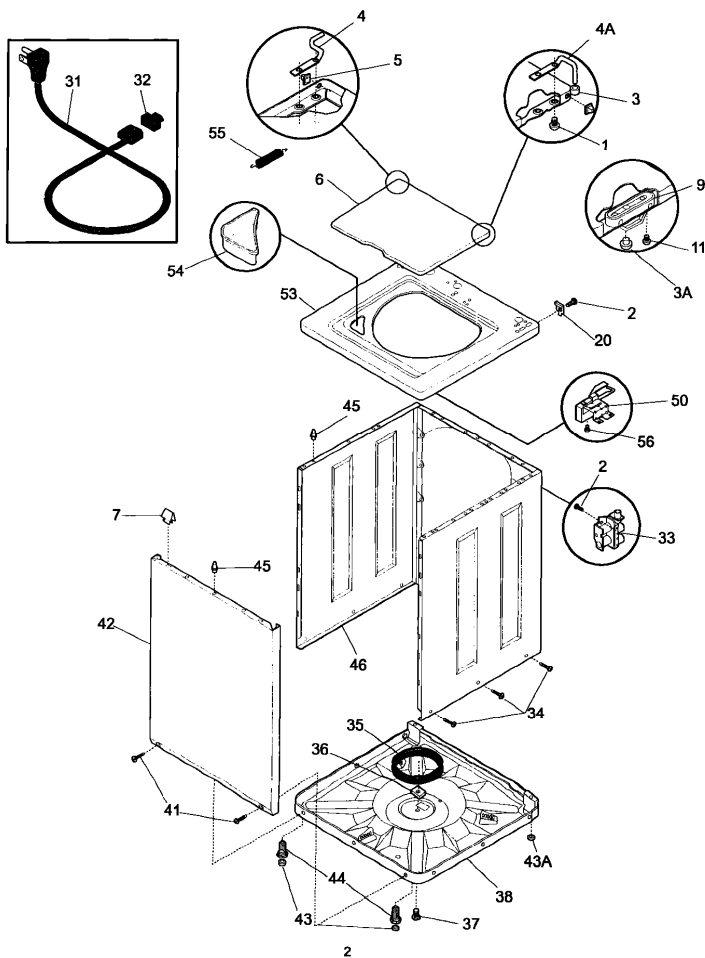


Distribuidor Autorizado

SurteRápido.com

Venta de Refacciones  
Electrodomesticas

## SWS1549AQ2 GABINETE





## SWS1549AQ2 GABINETE

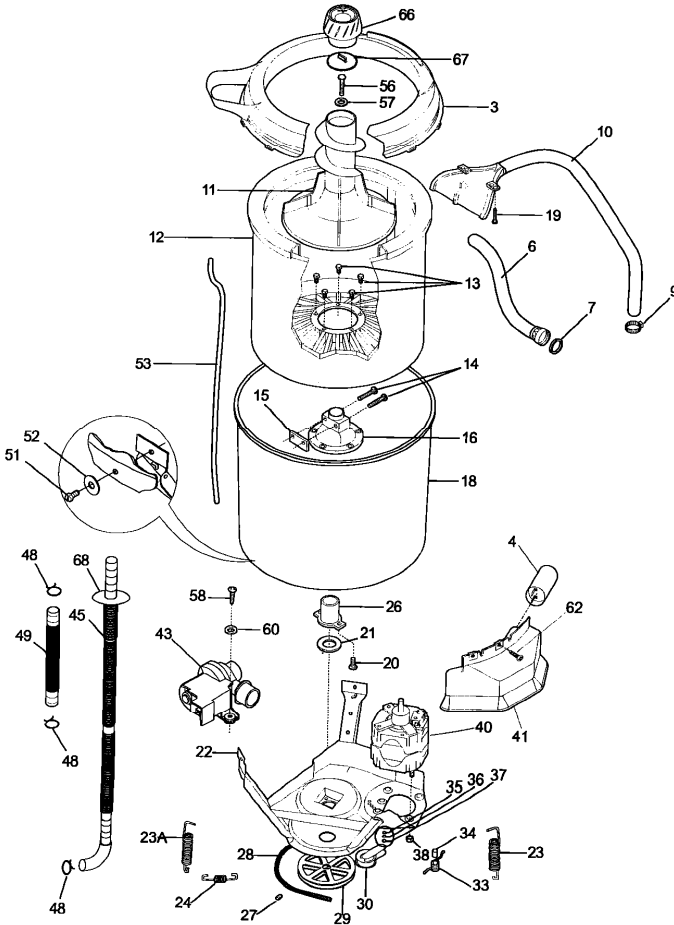
1	134203900	SCREW,PAN HD PHILLIPS ,6-32 X 0.337 (S/P)
2	131168200	SCREW,PAN HEAD ,8-18B X 0.31 (S/P)
3	131433300	BUMPER,LID HINGE (S/P)
4	131385910	HINGE BAR,LH (S/P)
5	5303208743	GROMMET,HINGE (S/P)
6	131374404	LID,BISQUE ,NO INST. (S/P)
7	3205821	CLIP, TOP-TO-FRONT (S/P)
9	131390000	LID STRIKE
11	3204368	SCREW,LID STRIKE MTG ,6-20B X 0.375 (S/P)
20	5303208751	HINGE, TOP PANEL ,CABINET REAR
31	134501000	POWER CORD,ELECTRIC SVCE (S/P)
32	5303209428	BUSHING,POWER CORD (S/P)
34	131205500	SCREW,CAB BODY ,1/4-14 X 0.625 (S/P)
35	5308002385	SNUBBER RING
36	3204380	SHIPPING BLOCK (S/P)
37	131658900	SCREW,SHIPPING ,1/4-20 X 1.001 (S/P)
38	5303311213	BASE ASSEMBLY (S/P)
41	131258400	SCREW,10-16AB X 0.500 (S/P)
42	131104306	PANEL,FRONT ,BISQUE (S/P)
43	131422100	PAD,LEVELING LEG ,FRONT
44	5303309673	SCREW,LEVELING LEG ,WITH PAD
45	131346400	PIN,PANEL LOCATOR ,SIDE (S/P)
46	134046603	CABINET ASSY,BISQUE ,BACK AND SIDES (S/P)
53	131452696	PANEL,BISQUE ,TOP (S/P)
54	5303208778	DISPENSER,BLEACH (S/P)
55	5303212876	SPRING,LID ASSIST
56	215822000	SCREW,PAN HEAD ,8-18AB X 0.375 (S/P)
4A	131374220	HINGE BAR,RH (S/P)
F33	134190200	VALVE,WATER ,115 V
F50	134101800	LOCK,LID ,W/EXT SWITCH
43A	131422200	PAD,SELF LVLG LEG ,REAR (S/P)
3A	134075500	BUMPER,LID ,FRONT

Distribuidor Autorizado

SurteRápido.com

Venta de Refacciones  
Electrodomesticas

SWS1549AQ2 TINAS



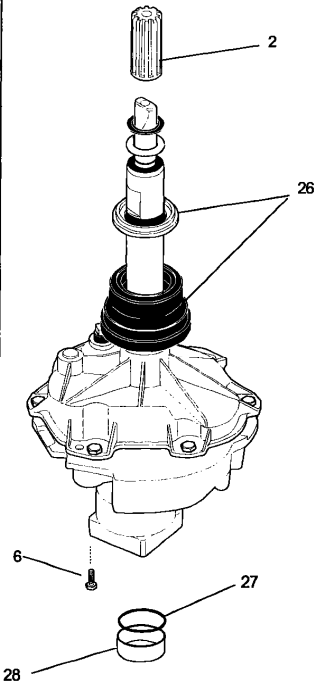
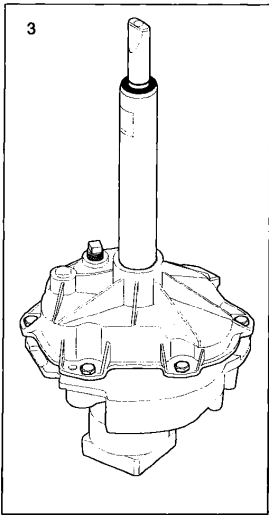


## SWS1549AQ2 TINAS

3	131551103	COVER,SPLASH TUB ,WITH SEAL
6	131279600	HOSE,INLET ,48 INCH LONG (S/P)
7	5303161296	WASHER,INLET HOSE (S/P)
9	5303304824	CLAMP,BLOWER WHEEL
10	131726300	HOSE ASSY,W/NOZZLE,CLAMP
12	131221310	TUB,SPIN (S/P)
13	5303283293	SCREW,TRUNION ,5/16-18 X 0.625 ,(5)
14	131192800	SCREW,LOCKPLATE ,5/16-18 X 1.625 (S/P)
15	5308001923	PLATE,LOCK
16	131545101	TRUNNION
18	131557201	TUB,SPLASH ,W/AIR DOME,BRG (S/P)
19	131205300	SCREW,10-16 X 0.750 (S/P)
20	3205150	SCREW,TUB BEARING ,8-12B X 0.750 (S/P)
21	5308002401	WASHER,SPIN BEARING ,UPPER (S/P)
22	131373610	LEG & DOME ASSY
23	5303208858	SPRING,VERTICAL ,SHORT
24	131373900	SPRING,HORIZONTAL
27	5303304825	SCREW,SET,HEX HD CUP ,5/16-18 X 0.85 (S/P)
33	3204425	SPRING,TORSIONAL
34	3204426	SLEEVE,IDLER PIVOT
35	3161433	RING,RETAINING (S/P)
36	5303261031	WASHER,PIVOT SHAFT
37	5303161306	WASHER,SPRING TYPE
38	5303318708	NUT,HEX FLANGE ,MOTOR MOUNTING (S/P)
41	131513300	SHIELD,MOTOR ASSY ,W/SPEED NUTS (S/P)
45	134049200	HOSE,DRAIN
48	131306234	CLAMP,PUMP TO TRAP (S/P)
51	131659000	SCREW,LEG,HEX WSHR HD (S/P)
52	3005891	WASHER,LEG ,1.25 OD X 0.335 ,0.040 ID (S/P)
53	5300771996	TUBE-PRESSURE (S/P)
56	131468900	SCREW,AGITATOR MTG ,5/16-18 X 1.250 (S/P)
57	131339600	SPACER,AGITATOR MTG ,RUBBER (S/P)
58	134160900	SCREW,QUADREX ,10-16AB X 0.750 (S/P)

60	5303304015	WASHER,0.21 X 0.71 ,0.06 THICK <b>(S/P)</b>
62	131258400	SCREW,10-16AB X 0.500 <b>(S/P)</b>
66	131624500	AGITATOR CAP ASSY,DISPENSER CUP <b>(S/P)</b>
67	131606210	MECHANISM,DISP CAP ASSY ,DUAL ACTION
68	131707800	RING,DRAIN HOSE <b>(S/P)</b>
F29	131498300	PULLEY,XMSN DRIVE
NI	131506500	CLIP,DRAIN HOSE ,BACK SHEET ,(2) <b>(S/P)</b>
NI	131453000	BUSHING,SNAP-IN ,DRAIN HOSE <b>(S/P)</b>
F49	131494800	HOSE,PUMP TO TUB
F30	131862900	IDLER ARM ASSY,VAW ,WITH PULLEY
NI	131663500	CUSHION,DRAIN HOSE ,BASE <b>(S/P)</b>
NI	131901400	SEAL,SPLASH COVER
NI	131462500	CLIP,DRAIN HOSE ,BASE <b>(S/P)</b>
F11	131605901	AGITATOR ASSY,DUAL ACTION
F4	131212301	CAPACITOR,MOTOR <b>(S/P)</b>
F43	134051200	PUMP,DRAIN
NI	5303309503	CLIP,DRAIN HOSE ,BACK SHEET <b>(S/P)</b>
NI	5303212877	INSERT,SPRING ADJUSTER ,VERTICAL
F26	3204405	BEARING,OUTER TUB
NI	5303283052	SPEED NUT,MOTOR SHIELD ,STEEL CLIP <b>(S/P)</b>
F28	134511600	V-BELT,WASHER DRIVE ,STANDARD 4L
23A	5303208860	SPRING,VERTICAL
F40	134159500	MOTOR,3/4 HP,2 SPEED ,WITH PULLEY

**SWS1549AQ2 TRANSMISION**

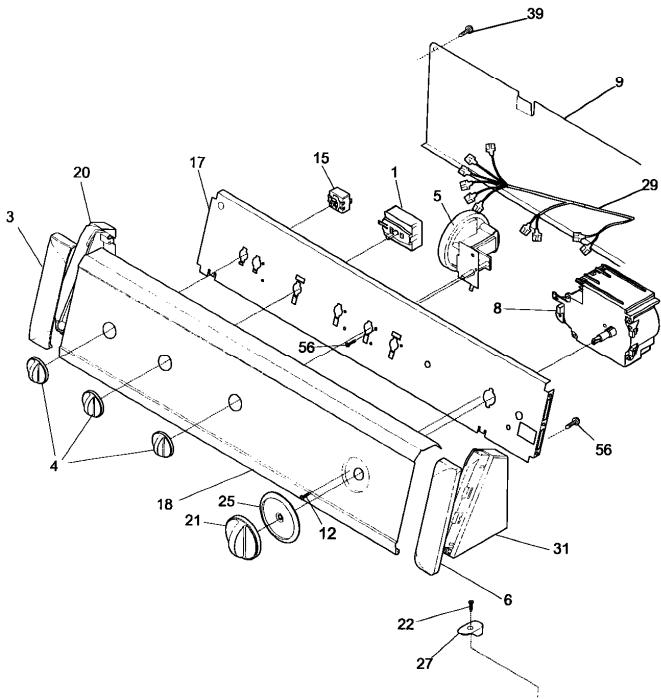




## SWS1549AQ2 TRANSMISION

6	134197900	SCREW,HEX WASHER HEAD ,1/4-20 X 0.437 <b>(S/P)</b>
27	131784300	WASHER,BEARING BLOCK <b>DESCONTINUADO</b>
28	131784400	SPACER,BEARING BLOCK ,TRANSMISSION <b>(S/P)</b>
F26	5308950197	SEAL ASSY,TUB ,TRANSMISSION
F3	134737100	TRANSMISSION ASSY,H+HELICAL GEAR
F2	134418700	HUB,DRIVE ,AGITATOR

**SWS1549AQ2 TABLERO**







## SWS1549AQ2 TABLERO

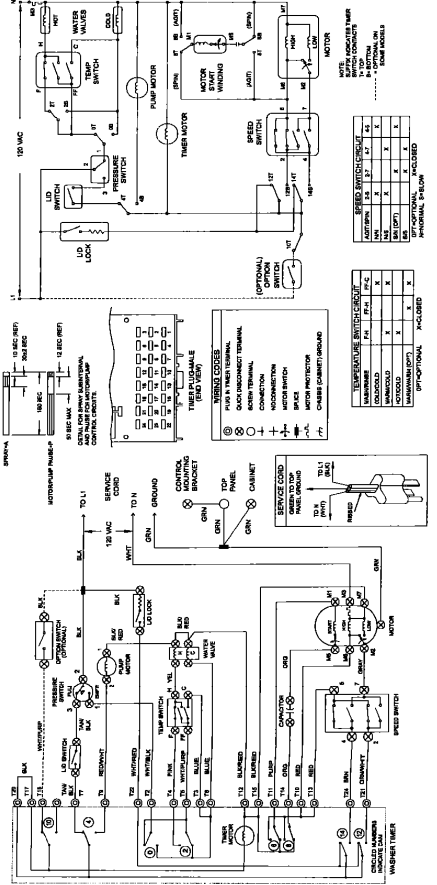
3	131122613	COVER,END CAP ,BISQUE ,LH <b>(S/P)</b>
4	131141107	KNOB,ROTARY ,BISQUE/DK BROWN
6	131122603	COVER,END CAP ,BISQUE ,RH <b>(S/P)</b>
9	134088700	PANEL,CONSOLE BACK <b>(S/P)</b>
12	131477001	SCREW,PAN HEAD ,10-16AB X 0.375 <b>(S/P)</b>
17	131580006	BRACKET,CONTROL MTG <b>(S/P)</b>
18	134104300	PANEL,TRIMPLATE ,CONSOLE <b>DESCONTINUADO</b>
20	131122713	END CAP,BISQUE ,LH <b>(S/P)</b>
21	131592004	KNOB,TIMER ,BISQUE
22	5303289526	SCREW,CR OVAL HEAD ,8-18AB X 1.250 ,BLACK <b>(S/P)</b>
25	131592104	DIAL,TIMER POINTER ,CLEAR/DK BROWN <b>(S/P)</b>
27	131197000	CLIP,CONSOLE MTG <b>(S/P)</b>
31	131122703	END CAP,BISQUE ,RH <b>(S/P)</b>
39	131205100	SCREW,NO.8 PAN HEAD ,10-10B X 0.500 <b>(S/P)</b>
56	131243800	SCREW,PAN HD LOCKING ,8-32CA X 0.375 <b>(S/P)</b>
F5	134680100	SWITCH,PRESSURE ,INFINITE
F8	131856400	TIMER,5-OFF
F1	131120400	SWITCH,SPEED CONTROL ,4 POSN ROTARY
F15	131081200	SWITCH,TEMP SELECTOR ,4 POSN ROTARY
F29	134122700	WIRING HARNESS,CONTROLS <b>(S/P)</b>



# SWS1549AQ2

CAUTION: DISCONNECT ELECTRIC CURRENT BEFORE SERVICING

MOTOR		DRUM		REGULAR		EXL PULSE		PUSH PULSE		KNIFE & DELICATE		SOAK	
W	U	1	2	1	2	1	2	1	2	1	2	1	2
1	2	1	2	1	2	1	2	1	2	1	2	1	2
3	4	3	4	3	4	3	4	3	4	3	4	3	4
5	6	5	6	5	6	5	6	5	6	5	6	5	6
7	8	7	8	7	8	7	8	7	8	7	8	7	8
9	10	9	10	9	10	9	10	9	10	9	10	9	10
11	12	11	12	11	12	11	12	11	12	11	12	11	12
13	14	13	14	13	14	13	14	13	14	13	14	13	14
15	16	15	16	15	16	15	16	15	16	15	16	15	16
17	18	17	18	17	18	17	18	17	18	17	18	17	18
19	20	19	20	19	20	19	20	19	20	19	20	19	20
21	22	21	22	21	22	21	22	21	22	21	22	21	22
23	24	23	24	23	24	23	24	23	24	23	24	23	24
25	26	25	26	25	26	25	26	25	26	25	26	25	26
27	28	27	28	27	28	27	28	27	28	27	28	27	28
29	30	29	30	29	30	29	30	29	30	29	30	29	30
31	32	31	32	31	32	31	32	31	32	31	32	31	32
33	34	33	34	33	34	33	34	33	34	33	34	33	34
35	36	35	36	35	36	35	36	35	36	35	36	35	36
37	38	37	38	37	38	37	38	37	38	37	38	37	38
39	40	39	40	39	40	39	40	39	40	39	40	39	40
41	42	41	42	41	42	41	42	41	42	41	42	41	42
43	44	43	44	43	44	43	44	43	44	43	44	43	44
45	46	45	46	45	46	45	46	45	46	45	46	45	46
47	48	47	48	47	48	47	48	47	48	47	48	47	48
49	50	49	50	49	50	49	50	49	50	49	50	49	50
51	52	51	52	51	52	51	52	51	52	51	52	51	52
53	54	53	54	53	54	53	54	53	54	53	54	53	54
55	56	55	56	55	56	55	56	55	56	55	56	55	56
57	58	57	58	57	58	57	58	57	58	57	58	57	58
59	60	59	60	59	60	59	60	59	60	59	60	59	60



WASHER TIMER MOTOR	PUMP MOTOR	WASHER TIMER MOTOR	PUMP MOTOR
1	1	1	1
2	2	2	2
3	3	3	3
4	4	4	4
5	5	5	5
6	6	6	6
7	7	7	7
8	8	8	8
9	9	9	9
10	10	10	10
11	11	11	11
12	12	12	12
13	13	13	13
14	14	14	14
15	15	15	15
16	16	16	16
17	17	17	17
18	18	18	18
19	19	19	19
20	20	20	20

TEMPERATURE SWITCH	WASHER TIMER MOTOR	PUMP MOTOR	WASHER TIMER MOTOR	PUMP MOTOR
1	1	1	1	1
2	2	2	2	2
3	3	3	3	3
4	4	4	4	4
5	5	5	5	5
6	6	6	6	6
7	7	7	7	7
8	8	8	8	8
9	9	9	9	9
10	10	10	10	10
11	11	11	11	11
12	12	12	12	12
13	13	13	13	13
14	14	14	14	14
15	15	15	15	15
16	16	16	16	16
17	17	17	17	17
18	18	18	18	18
19	19	19	19	19
20	20	20	20	20