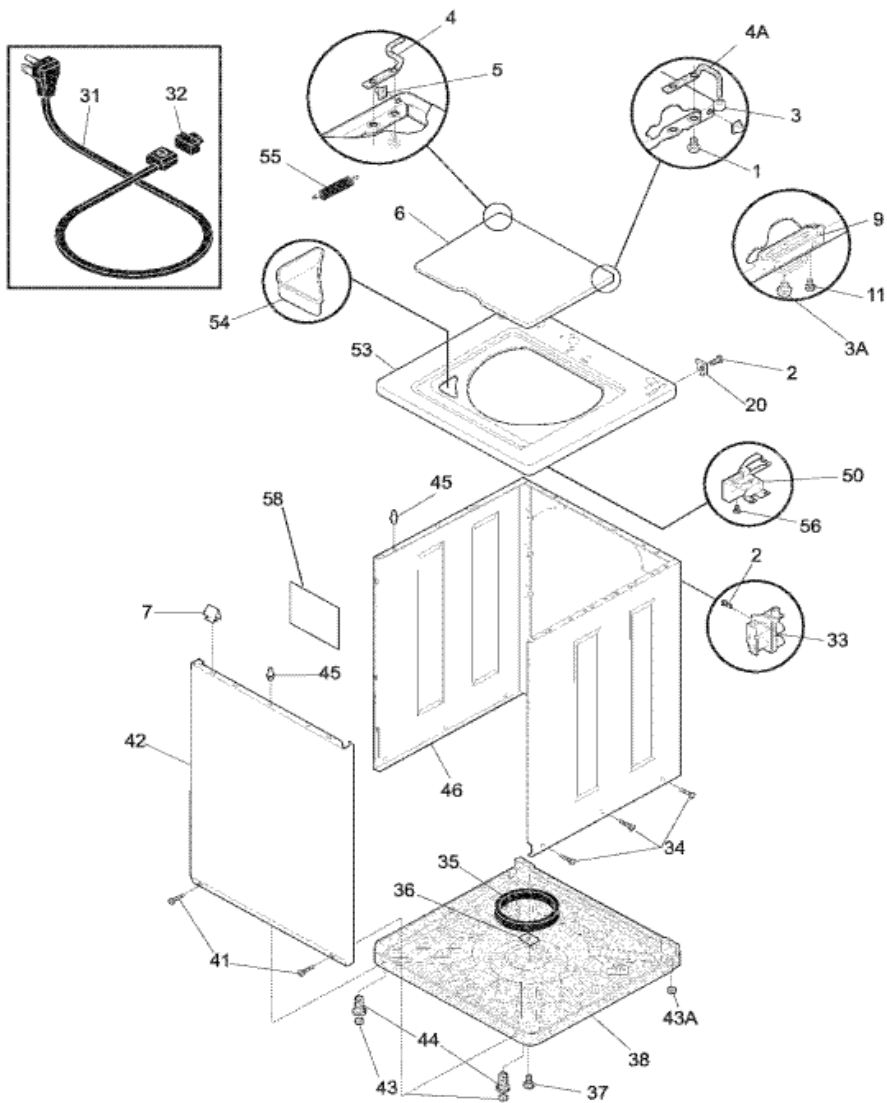


Distribuidor Autorizado

SurteRápido.com

Venta de Refacciones
Electrodomesticas

SWS1649CS0 GABINETE





SWS1649CS0 GABINETE

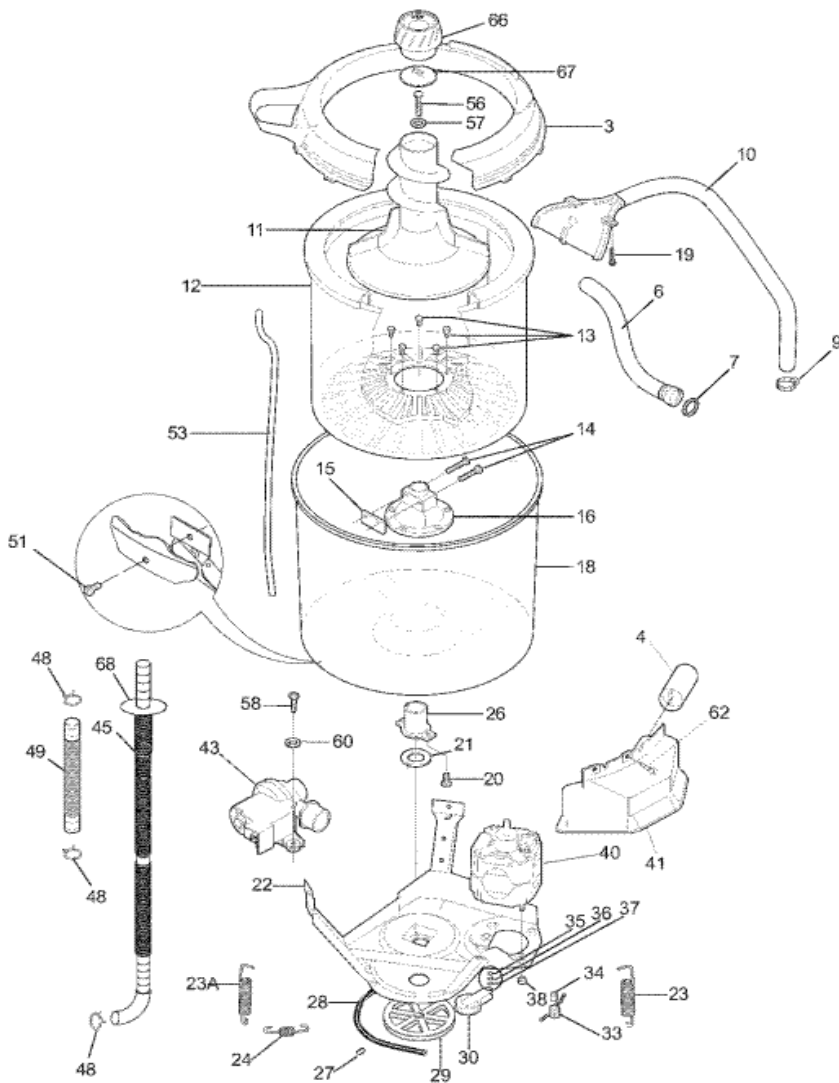
| | | |
|-----|------------|---|
| 1 | 134203900 | SCREW,PAN HD PHILLIPS , (S/P) |
| 2 | 131168200 | SCREW,PAN HEAD ,8-18B X 0.31 (S/P) |
| 3 | 131433300 | BUMPER,LID HINGE (S/P) |
| 4 | 131385910 | HINGE BAR,LH (S/P) |
| 5 | 5303208743 | GROMMET,HINGE (S/P) |
| 6 | 131374401 | LID,WHITE (S/P) |
| 7 | 3205821 | CLIP, TOP-TO-FRONT (S/P) |
| 9 | 131390000 | LID STRIKE |
| 11 | 3204368 | SCREW,LID STRIKE MTG ,6-20B X 0.375 (S/P) |
| 20 | 5303208751 | HINGE, TOP PANEL ,CABINET REAR |
| 31 | 134501000 | POWER CORD,ELECTRIC SVCE (S/P) |
| 32 | 5303209428 | BUSHING,POWER CORD (S/P) |
| 34 | 131205500 | SCREW,CAB BODY , (S/P) |
| 35 | 5308002385 | SNUBBER RING |
| 36 | 3204380 | SHIPPING BLOCK (S/P) |
| 37 | 131658900 | SCREW,SHIPPING ,1/4-20 X 1.001 (S/P) |
| 38 | 5303311213 | BASE ASSEMBLY (S/P) |
| 41 | 131258400 | SCREW,10-16AB X 0.500 (S/P) |
| 42 | 131104303 | PANEL,FRONT ,WHITE (S/P) |
| 43 | 131422100 | PAD,LEVELING LEG ,FRONT |
| 44 | 5303309673 | SCREW,LEVELING LEG ,WITH PAD |
| 45 | 131346400 | PIN,PANEL LOCATOR ,SIDE (S/P) |
| 46 | 134046600 | CABINET ASSY,WHITE ,BACK AND SIDES (S/P) |
| 53 | 131452692 | PANEL,WHITE ,TOP (S/P) |
| 54 | 5303208778 | DISPENSER,BLEACH (S/P) |
| 55 | 134890500 | SPRING,LID ASSIST |
| 56 | 131243700 | SCREW,PAN HEAD , (S/P) |
| 58 | 131744202 | DAMPER,VIBRATION (S/P) |
| 43A | 131422200 | PAD,SELF LVLG LEG ,REAR (S/P) |
| F33 | 134190200 | VALVE,WATER ,115 V |
| 4A | 131374220 | HINGE BAR,RH (S/P) |
| 3A | 134075500 | BUMPER,LID ,FRONT |
| F50 | 134101800 | LOCK,LID ,W/EXT SWITCH |

Distribuidor Autorizado

SurteRápido.com

Venta de Refacciones
Electrodomesticas

SWS1649CS0 TINA



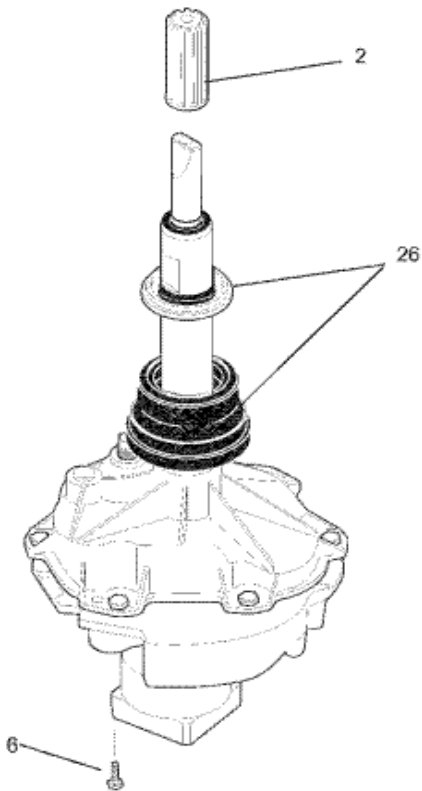
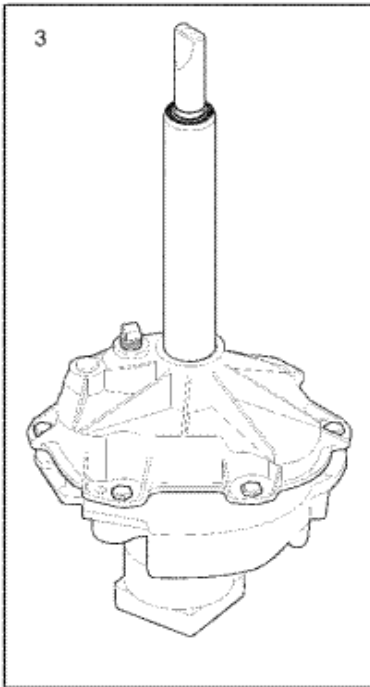


SWS1649CS0 TINA

| | | |
|----|------------|---|
| 3 | 131551103 | COVER,SPLASH TUB ,WITH SEAL |
| 6 | 131279600 | HOSE,WATER INLET ,4 FT. ,HOSE & WASHER (S/P) |
| 7 | 5303161296 | WASHER,INLET HOSE (S/P) |
| 9 | 5303304824 | CLAMP |
| 10 | 131726300 | HOSE ASSY,W/NOZZLE,CLAMP |
| 12 | 131221300 | TUB,SPIN (S/P) |
| 13 | 5303283293 | SCREW,TRUNION ,5/16-18 X 0.625 ,(5) |
| 14 | 131192800 | SCREW,LOCKPLATE ,5/16-18 X 1.625 |
| 15 | 137107000 | PLATE,LOCK |
| 16 | 131545101 | TRUNNION |
| 18 | 131557201 | TUB,SPLASH ,W/AIR DOME,BRG (S/P) |
| 19 | 131205300 | SCREW,10-16 X 0.750 (S/P) |
| 20 | 3205150 | SCREW,TUB BEARING ,8-12B X 0.750 (S/P) |
| 21 | 5308002401 | WASHER,SPIN BEARING ,UPPER |
| 22 | 131373610 | LEG & DOME ASSY |
| 23 | 5303208858 | SPRING,VERTICAL ,SHORT |
| 24 | 131373900 | SPRING,HORIZONTAL |
| 27 | 5303304825 | SCREW,SET,HEX HD CUP , (S/P) |
| 33 | 3204425 | SPRING,TORSIONAL |
| 34 | 3204426 | SLEEVE,IDLER PIVOT |
| 35 | 3161433 | RING,RETAINING |
| 36 | 5303261031 | WASHER,PIVOT SHAFT |
| 37 | 5303161306 | WASHER,SPRING TYPE |
| 38 | 5303318708 | NUT,HEX FLANGE ,MOTOR MOUNTING (S/P) |
| 41 | 5303283052 | . SPEED NUT,MOTOR SHIELD ,STEEL CLIP (S/P) |
| 41 | 131513300 | . SHIELD,MOTOR ASSY ,W/SPEED NUTS (S/P) |
| 45 | 134049200 | HOSE,DRAIN |
| 48 | 131306234 | CLAMP,PUMP TO TRAP (S/P) |
| 51 | 134164400 | SCREW,HEX WASHER HEAD ,5/16-18 X 0.625 (S/P) |
| 53 | 5300771996 | TUBE,PRESSURE ,VINYL (S/P) |
| 56 | 131468900 | SCREW,AGITATOR MTG ,5/16-18 X 1.250 (S/P) |
| 57 | 131339600 | SPACER,AGITATOR MTG ,RUBBER (S/P) |
| 58 | 134160900 | SCREW,QUADREX ,10-16AB X 0.750 (S/P) |

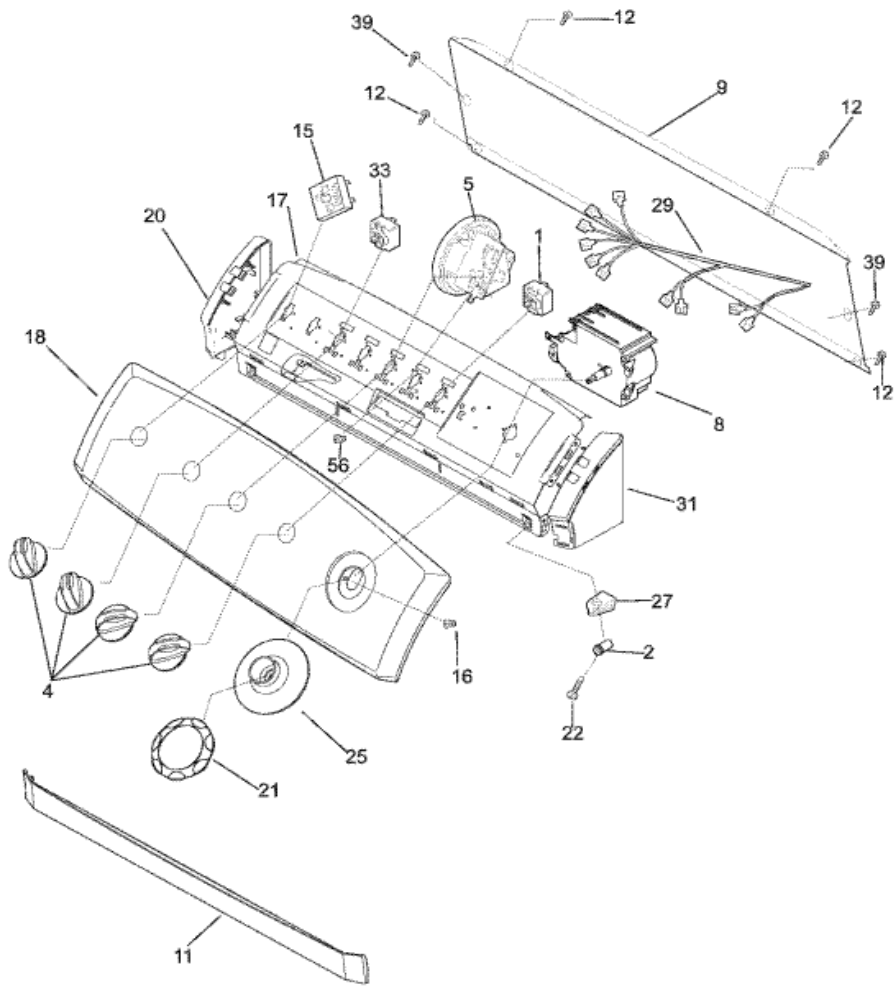
| | | |
|-----|------------|---|
| 60 | 5303304015 | WASHER,0.21 X 0.71 ,0.06 THICK (S/P) |
| 62 | 131258400 | SCREW,10-16AB X 0.500 (S/P) |
| 66 | 131624500 | AGITATOR CAP ASSY,DISPENSER CUP (S/P) |
| 67 | 131606210 | MECHANISM,DISP CAP ASSY ,DUAL ACTION |
| 68 | 131707800 | RING,DRAIN HOSE (S/P) |
| F41 | 131715800 | SHIELD,MOTOR ASSY ,W/CAPACITOR,NUT (S/P) |
| F4 | 131212301 | CAPACITOR,MOTOR (S/P) |
| F49 | 131494800 | HOSE,PUMP TO TUB |
| F29 | 131498300 | PULLEY,XMSN DRIVE |
| F11 | 131605901 | AGITATOR ASSY,DUAL ACTION |
| F30 | 131862900 | IDLER ARM ASSY,VAW ,WITH PULLEY |
| F28 | 131686100 | V-BELT,WASHER DRIVE ,STANDARD 4L |
| F43 | 134051200 | PUMP,DRAIN |
| F40 | 131902700 | MOTOR,3/4 HP,2 SPEED ,WITH PULLEY |
| F26 | 3204405 | BEARING,OUTER TUB |
| 23A | 5303208860 | SPRING,VERTICAL |

SWS1649CS0 TRANSMISION



| | | |
|-----|------------|---|
| 6 | 134197900 | SCREW,HEX WASHER HEAD ,1/4-20 X 0.437 (S/P) |
| F3 | 134737100 | TRANSMISSION ASSY,H+HELICAL GEAR |
| F26 | 5308950197 | SEAL ASSY,TUB ,TRANSMISSION |
| F2 | 134418700 | HUB,DRIVE ,AGITATOR |

SWS1649CS0 TABLERO





SWS1649CS0 TABLERO

| | | |
|-----|-----------|--|
| 2 | 134096100 | SPACER,CONSOLE MTG (S/P) |
| 4 | 134844410 | KNOB,ROTARY ,WHITE |
| 9 | 131992910 | PANEL,BACKSHEET ,CONSOLE (S/P) |
| 11 | 134019900 | CLOSURE,CONSOLE TRIM ,WHITE ,FRONT (S/P) |
| 12 | 131168200 | SCREW,PAN HEAD ,8-18B X 0.31 (S/P) |
| 16 | 131477001 | SCREW,PAN HEAD ,10-16AB X 0.375 (S/P) |
| 17 | 131993040 | BRACKET,CONTROL MTG. (S/P) |
| 18 | 134322800 | PANEL,TRIMPLATE ,WHITE ,CONSOLE FRONT (S/P) |
| 20 | 134019610 | END CAP,WHITE ,LH (S/P) |
| 21 | 134035200 | KNOB,TIMER ,WHITE ,ASSY |
| 22 | 131266330 | SCREW,8-18 X 1.250 (S/P) |
| 25 | 134035100 | POINTER,TIMER KNOB ,WHITE ,DARK GRAY IND (S/P) |
| 27 | 131197000 | CLIP,CONSOLE MTG (S/P) |
| 31 | 134019600 | END CAP,WHITE ,RH (S/P) |
| 39 | 131205100 | SCREW,NO.8 PAN HEAD (S/P) |
| 56 | 131243800 | SCREW,PAN HD LOCKING (S/P) |
| F5 | 134680100 | SWITCH,PRESSURE ,INFINITE |
| F33 | 134904500 | SWITCH,2 POSITION (S/P) |
| F8 | 131856400 | TIMER,5-OFF |
| F15 | 131081200 | SWITCH,TEMP SELECTOR ,4 POSN ROTARY |
| F1 | 131157900 | SWITCH,SPEED/OPTION ,3 POSN ROTARY |
| F29 | 134310500 | WIRING HARNESS,CONTROL (S/P) |