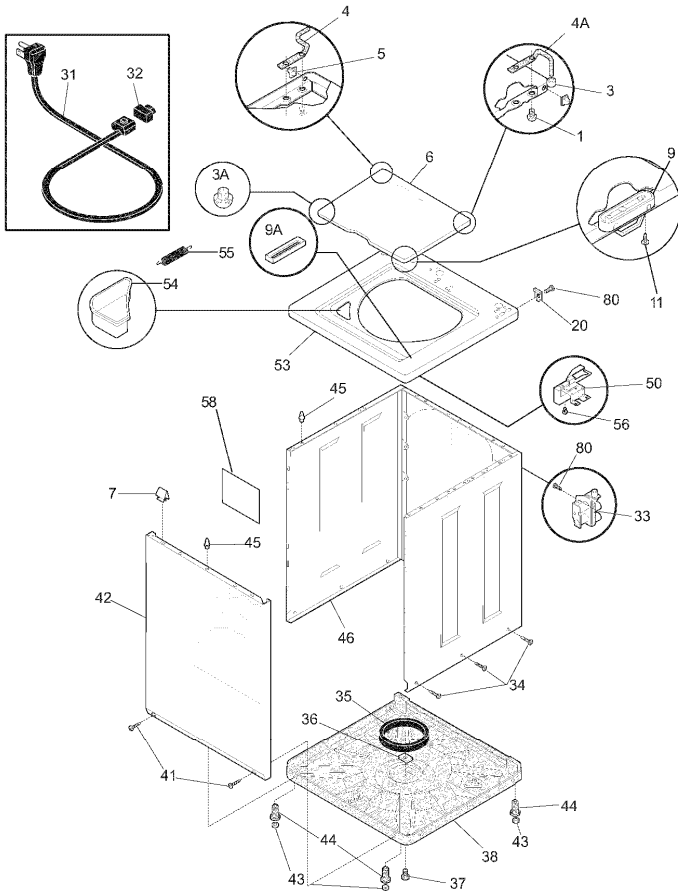


SWS1649HQ0 GABINETE





SWS1649HQ0 GABINETE

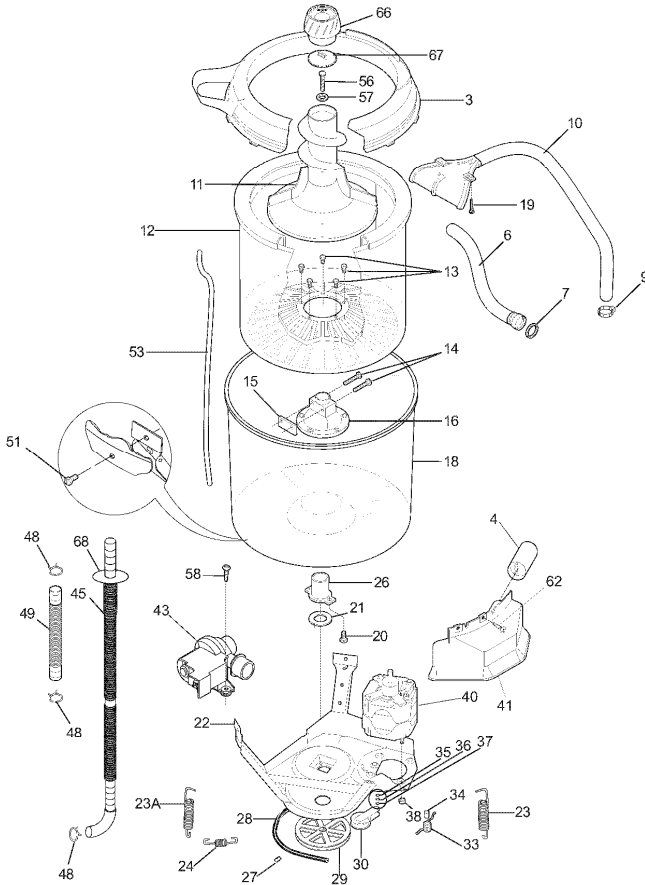
1	134203900	SCREW, PAN HD PHILLIPS, 6-32 X 0.337 (S/P)
3	131433300	BUMPER, LID HINGE (S/P)
4	131385910	HINGE BAR, LH (S/P)
5	5303208743	GROMMET, HINGE (S/P)
6	131374404	LID, BISQUE, NO INST. (S/P)
7	3205821	CLIP, TOP-TO-FRONT (S/P)
9	131390000	LID STRIKE
11	3204368	SCREW, LID STRIKE MTG, 6-20B X 0.375 (S/P)
20	5303208751	HINGE, TOP PANEL, CABINET REAR
32	5303209428	BUSHING, POWER CORD (S/P)
34	131205500	SCREW, CAB BODY, 1/4-14 X 0.625 (S/P)
35	5308002385	SNUBBER RING
36	3204380	SHIPPING BLOCK (S/P)
37	131658900	SCREW, SHIPPING, 1/4-20 X 1.001 (S/P)
38	134773500	BASE ASSEMBLY (S/P)
41	131258400	SCREW, 10-16AB X 0.500 (S/P)
42	131104306	PANEL, FRONT, BISQUE (S/P)
43	131422100	PAD, LEVELING LEG
44	5303309673	SCREW, LEVELING LEG, WITH PAD
45	131346400	PIN, PANEL LOCATOR (S/P)
46	134046603	CABINET ASSY, BISQUE, BACK AND SIDES (S/P)
53	131452696	PANEL, BISQUE, TOP (S/P)
54	5303208778	DISPENSER, BLEACH (S/P)
55	5303212876	SPRING, LID ASSIST
56	215822000	SCREW, PAN HEAD, 8-18AB X 0.375 (S/P)
58	131744202	DAMPER, VIBRATION (S/P)
80	134547800	SCREW, 10-16AB X 0.375 (S/P)
4A	134883900	HINGE BAR, RH (S/P)
3A	134075500	BUMPER, LID, FRONT
9A	134768500	INSERT, STRIKER PLATE, LID SLOT (S/P)
F31	134501000	POWER CORD, ELECTRIC SVCE (S/P)
F50	134101800	LOCK, LID, W/EXT SWITCH
F33	134190200	VALVE, WATER, 115 V

Distribuidor Autorizado

SurteRápido.com

Venta de Refacciones
Electrodomesticas

SWS1649HQ0 TINAS



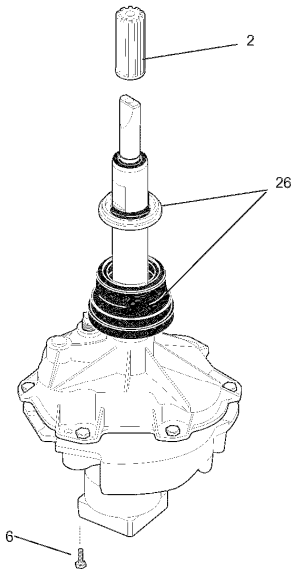
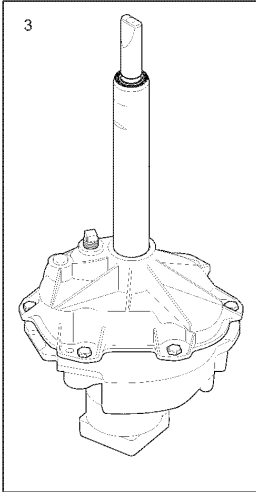


SWS1649HQ0 TINAS

3	131551103	COVER, SPLASH TUB, WITH SEAL
6	131279600	HOSE, WATER INLET, 4 FT., HOSE & WASHER (S/P)
7	5303161296	WASHER, INLET HOSE (S/P)
9	5303304824	CLAMP
10	131726300	HOSE ASSY, W/NOZZLE
12	131221310	TUB, SPIN (S/P)
13	5303283293	SCREW, TRUNION, 5/16-18 X 0.625, (5)
14	131192800	SCREW, LOCKPLATE, 5/16-18 X 1.625
15	5308001923	PLATE, LOCK
16	131545101	TRUNNION
18	131557201	TUB, SPLASH, W/AIR DOME, BRG (S/P)
19	131205300	SCREW, 10-16 X 0.750 (S/P)
20	3205150	SCREW, TUB BEARING, 8-12B X 0.750 (S/P)
21	5308002401	WASHER, SPIN BEARING, UPPER
22	131373610	LEG & DOME ASSY
23	134886600	SPRING, VERTICAL, SHORT (S/P)
24	131373900	SPRING, HORIZONTAL
27	5303304825	SCREW, SET, HEX HD CUP, 5/16-18 X 0.85 (S/P)
33	3204425	SPRING, TORSIONAL
34	3204426	SLEEVE, IDLER PIVOT
35	3161433	RING, RETAINING
36	5303261031	WASHER, PIVOT SHAFT
37	5303161306	WASHER, SPRING TYPE
38	5303318708	NUT, HEX FLANGE, MOTOR MOUNTING (S/P)
41	134455500	· SHIELD, MOTOR ASSY (S/P)
41	131715801	SHIELD, MOTOR ASSY, INCL CAPACITOR (S/P)
48	131306234	CLAMP, HOSE, WIRE (S/P)
51	134164400	SCREW, HEX WASHER HEAD, 5/16-18 X 0.625 (S/P)
53	5300771996	TUBE, PRESSURE, VINYL (S/P)
56	131468900	SCREW, AGITATOR MTG, 5/16-18 X 1.250 (S/P)
57	131339600	SPACER, AGITATOR MTG, RUBBER (S/P)
58	134160900	SCREW, WASHER HD, 10-16AB X 0.75 (S/P)
62	131258400	SCREW, 10-16AB X 0.500 (S/P)

66	131624500	AGITATOR CAP ASSY, DISPENSER CUP (S/P)
67	131606210	MECHANISM, DISP CAP ASSY, DUAL ACTION
68	131707800	RING, DRAIN HOSE (S/P)
F45	134049200	HOSE, DRAIN
F43	134051200	PUMP, DRAIN
F11	131605901	AGITATOR ASSY, DUAL ACTION
F26	3204405	BEARING, OUTER TUB
NI	134745300	CLIP, DRAIN HOSE (S/P)
NI	131901400	SEAL, SPLASH COVER
F40	131902700	MOTOR, 3/4 HP, 2 SPEED, WITH PULLEY
F49	131494800	HOSE, PUMP TO TUB
NI	131453000	BUSHING, SNAP-IN (S/P)
NI	134261300	CLIP, DRAIN HOSE, PUSH-MOUNT (S/P)
F29	131498300	PULLEY, XMSN DRIVE
NI	131663500	CUSHION, DRAIN HOSE, BASE (S/P)
F28	131686100	V-BELT, WASHER DRIVE, STANDARD 4L
F30	131862900	IDLER ARM ASSY, VAW, WITH PULLEY
F4	131212303	CAPACITOR, MOTOR (S/P)
23A	134885900	SPRING, VERTICAL (S/P)
NI	5303309503	CLIP, DRAIN HOSE, BACK SHEET (S/P)
NI	5303212877	INSERT, SPRING ADJUSTER, VERTICAL

SWS1649HQ0 TRANSMISION

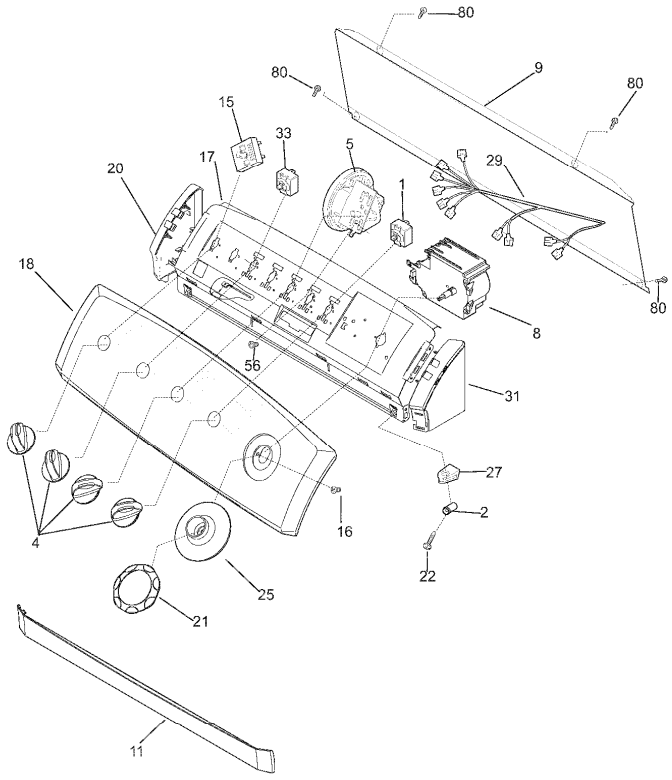




SWS1649HQ0 TRANSMISION

6	134197900	SCREW, HEX WASHER HEAD, 1/4-20 X 0.437 (S/P)
F2	134418700	HUB, DRIVE, AGITATOR
F26	5308950197	SEAL ASSY, TUB, TRANSMISSION
F3	134737100	TRANSMISSION, SERVICE KIT

SWS1649HQ0 TABLERO





SWS1649HQ0 TABLERO

2	134096100	SPACER, CONSOLE MTG (S/P)
4	134844411	KNOB, ROTARY, BISQUE (S/P)
9	131992910	PANEL, BACKSHEET, CONSOLE (S/P)
11	134019910	CLOSURE, CONSOLE TRIM, BISQUE, FRONT (S/P)
16	131477001	SCREW, PAN HEAD, 10-16AB X 0.375 (S/P)
17	131993040	BRACKET, CONTROL MTG. (S/P)
18	137001700	PANEL, TRIMPLATE, BISQUE (S/P)
20	134019611	END CAP, BISQUE, LH (S/P)
21	134035201	KNOB, TIMER, BISQUE, ASSY (S/P)
22	131266330	SCREW, 8-18 X 1.250 (S/P)
25	134035101	POINTER, TIMER KNOB, BISQUE (S/P)
27	131197000	CLIP, CONSOLE MTG (S/P)
31	134019601	END CAP, BISQUE, RH (S/P)
56	131243800	SCREW, PAN HD LOCKING, (S/P)
80	134547800	SCREW, 10-16AB X 0.375 (S/P)
F29	134546000	WIRING HARNESS, CONTROLS (S/P)
F8	131856400	TIMER, 5-OFF
F5	134680100	SWITCH, PRESSURE, INFINITE
F33	134904500	SWITCH, TEMP SELECTOR, 2 POSITION (S/P)
F15	131081200	SWITCH, TEMPERATURE, 4 POSN ROTARY
F1	131157900	SWITCH, SPEED/OPTION, 3 POSN ROTARY