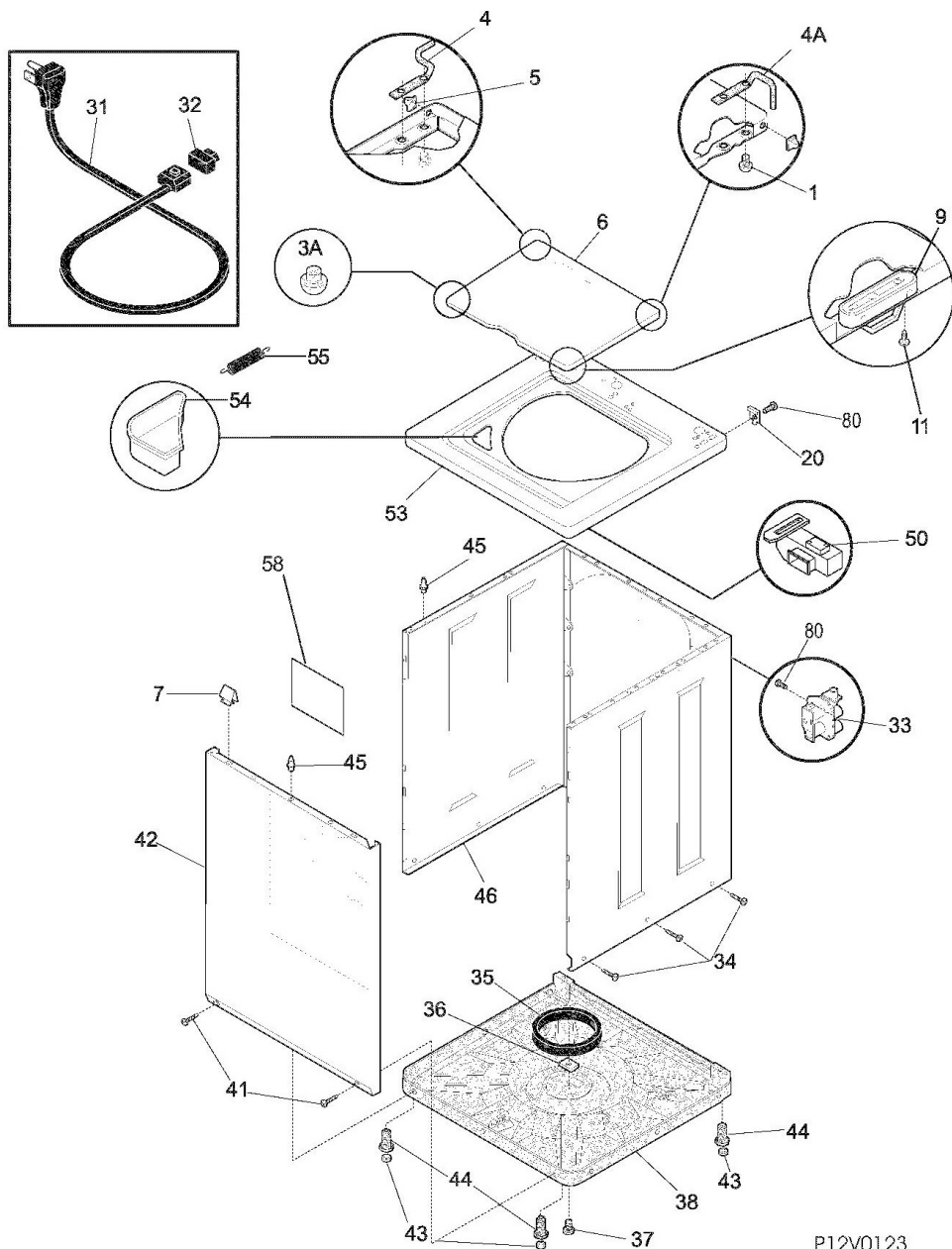


Distribuidor Autorizado

SurteRápido.com

Venta de Refacciones
Electrodomesticas

Lavadora W.W. SWS1649HQ1





Lavadora W.W. SWS1649HQ1

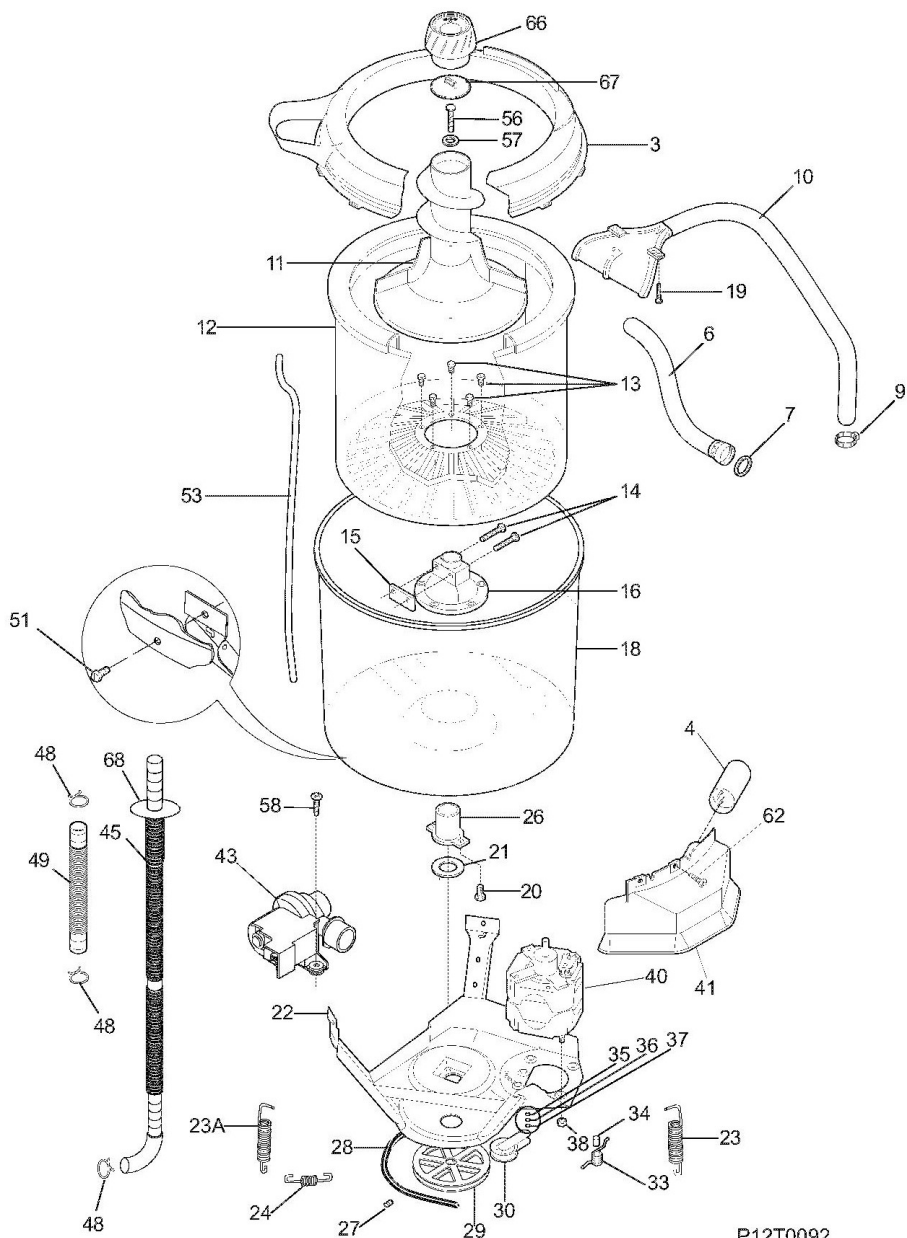
No. Ilus.	DESCRIPCIÓN	No. de Parte
1	Screw, pan hd phillips ,6-32 x 0.337	134203900
3A	Bumper, lid ,front	134075500
4	Hinge-bar, LH	131385910
4A	Hinge Bar, RH	134883900
5	Grommet, hinge	5303208743
6	Lid-bisque no inst	131374404
7	Clip, top-to-front	3205821
9	Lid Strike	131390000
11	Screw, 6-20X.375 ,x ,TAMPERPROOF	137099100
20	Hinge, top panel ,cabinet rear	5303208751
31	Power Cord, electric svce	134501000
32	Bushing, power cord	5303209428
33	Valve, water ,115 V	134190200
34	Screw, cab body ,1/4-14 x 0.625	131205500
35	SNUBBER RING	5308002385
36	SHIPPING BLOCK	3204380
37	Screw, shipping ,1/4-20 x 1.001	131658900
38	BASE ASSEMBLY	134773500
41	Screw, 10-16AB x 0.500	131302800
42	Panel, front ,bisque	131104306
43	PAD-LEVELING LEG	131422100
44	Screw, leveling leg ,with pad	5303309673
45	Pin, panel locator	131346400
46	Cabinet Assy, bisque ,back and sides	134046603
50	Lock, lid	134936800
53	Panel, white ,top	137098896
54	DISPENSER-BLEACH	5303208778
55	Spring, lid assist	134890500
58	Damper, vibration	131744202
80	Screw, 10-16AB x 0.375	134547800

Distribuidor Autorizado

SurteRápido.com

Venta de Refacciones
Electrodomesticas

Lavadora W.W. SWS1649HQ1



P12T0092



Lavadora W.W. SWS1649HQ1

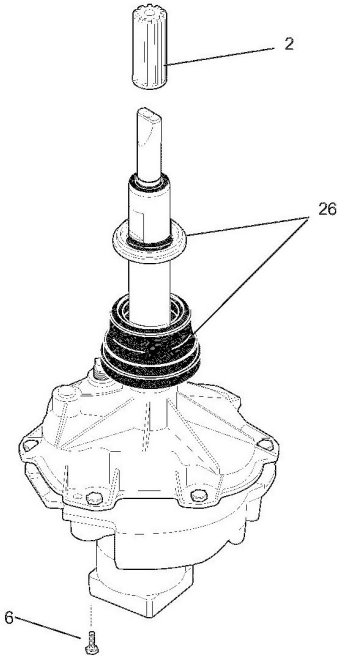
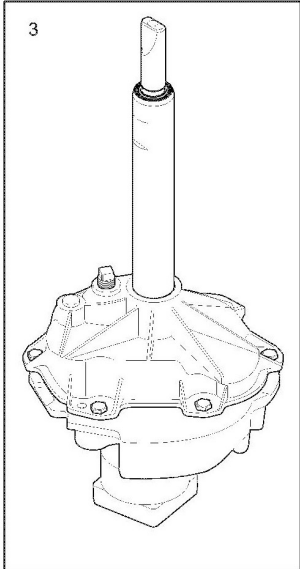
No. Ilus.	DESCRIPCIÓN	No. de Parte
NI	Bushing, snap-in	131453000
NI	Cushion, drain hose ,base	131663500
NI	Seal, splash cover	131901400
NI	Clip, drain hose ,push-mount	134261300
NI	Clip, drain hose	134745300
NI	Insert, spring adjuster ,vertical	5303212877
NI	Clip, drain hose ,back sheet	5303309503
3	Cover, splash tub ,with seal	131551103
4	Capacitor, motor	131715801
6	Hose, water inlet ,4 ft. ,hose & washer	5303912532
7	WASHER-INLET HOSE	5303161296
9	CLAMP	5304488479
10	Hose Assy, w/nozzle	134211701
11	Agitator Assy, dual action	131605901
12	TUB-SPIN	131221300
13	Screw, trunion ,5/16-18 x 0.625 ,(5)	137546400
14	Screw, lockplate ,5/16-18 x 1.625	137539500
15	Plate, lock	137107000
16	TRUNNION	131545101
18	Tub, splash ,w/air dome, brg	131557201
19	Screw, 10-16 x 0.750	131205300
20	Screw, tub bearing ,8-12B x 0.750	3205150
21	WASHER, SPIN BEARING, UPPER	5308002401
22	LEG & DOME ASSY	131373610
23	Spring, vertical ,short	134886600
23A	Spring, vertical	134885900
24	SPRING-HORIZONTAL	131373900
26	BEARING-OUTER TUB	3204405



Lavadora W.W. SWS1649HQ1

No. Ilus.	DESCRIPCIÓN	No. de Parte
27	Screw, set, hex hd cup ,5/16-18 x 0.85	5303270023
28	V-Belt, washer drive ,standard 4L	134511600
29	Pulley, xmsn drive	131498301
30	Idler Arm Assy, VAW ,with pulley	131862900
33	Spring, torsional	3204425
34	SLEEVE-IDLER PIVOT	3204426
35	RING-RETAINING	3161433
36	WASHER-PIVOT SHAFT	5303261031
37	Washer, spring type	5303161306
38	Nut, hex flange ,motor mounting	5303318708
40	Motor, 3/4 hp, 2 speed ,with pulley	134159500
41	Shield, motor assy ,incl capacitor	131715801
41	Shield, motor assy	134455500
43	Pump, drain	137221600
45	Hose, drain	134592700
48	Clamp, hose ,wire	131306234
49	HOSE-PUMP TO TUB	131494800
51	Screw, hex washer head ,5/16-18 x 0.625	134164400
53	Tube, pressure ,vinyl	5300771996
56	Screw, agitator mtg ,5/16-18 x 1.250	131468900
57	Spacer, agitator mtg ,rubber	131339600
58	Screw, washer hd ,10-16AB X 0.75	134160900
62	Screw, 10-16AB x 0.500	131302800
66	Agitator Cap Assy, dispenser cup ,dual	131624500
67	Mechanism, disp cap assy ,dual action	131606210
68	RING-DRAIN HOSE	131707800

Lavadora W.W. SWS1649HQ1



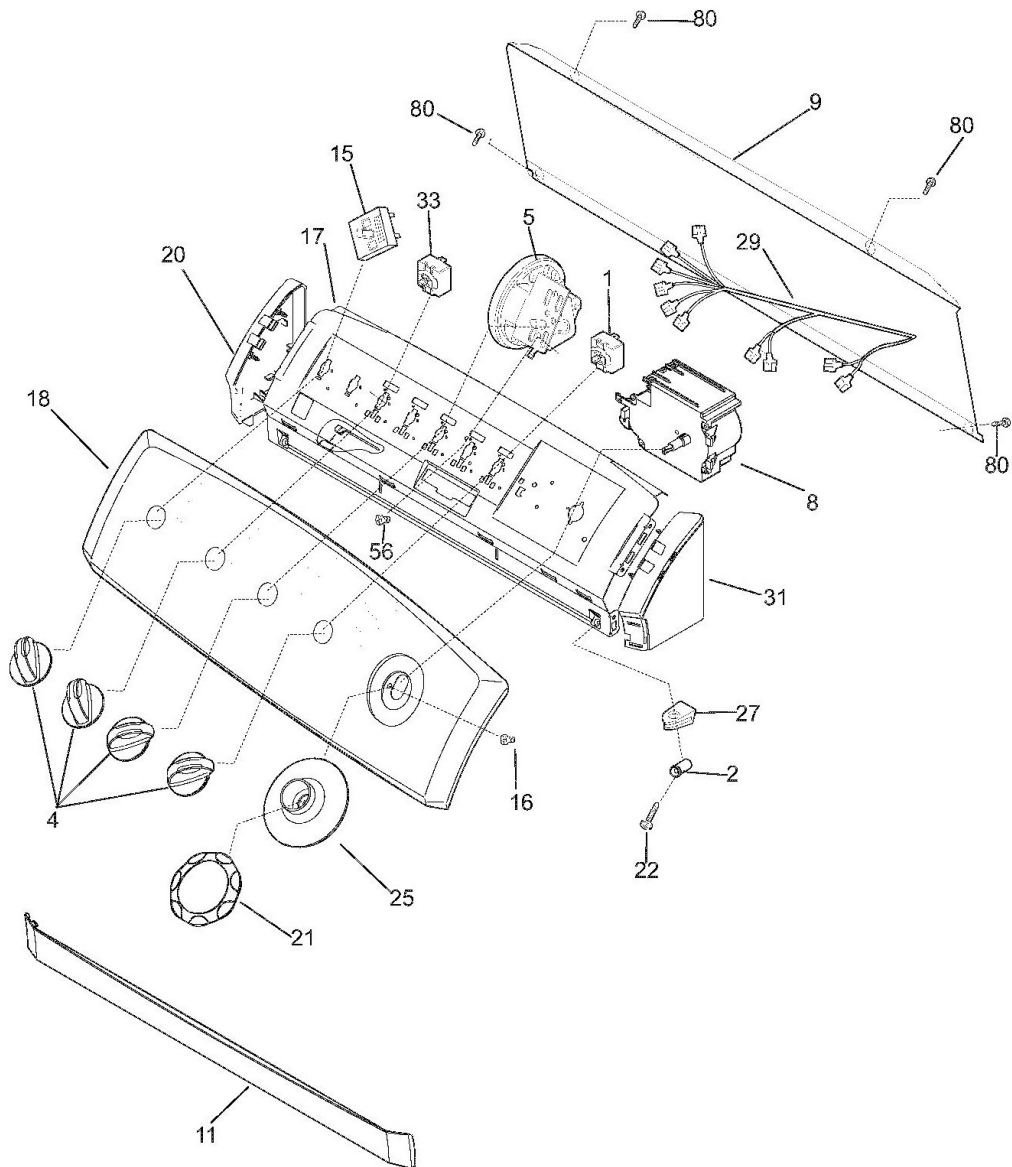
No. Ilus.	DESCRIPCIÓN	No. de Parte
2	Hub,drive ,agitator	134418700
3	Transmission,service kit	134737100
6	Screw,hex washer head ,1/4-20 x 0.437	134197900
26	Seal Assy,tub ,transmission	5303279394

Distribuidor Autorizado

SurteRápido.com

Venta de Refacciones
Electrodomesticas

Lavadora W.W. SWS1649HQ1





Lavadora W.W. SWS1649HQ1

No. Ilus.	DESCRIPCIÓN	No. de Parte
1	Switch,speed/option ,3 posn rotary	134404900
2	Spacer,console mtg	134096100
4	Knob,rotary ,bisque	134844411
5	Switch,pressure	137014600
8	Timer	134936200
9	Panel,backsheet ,console	131992910
11	Closure,console trim ,bisque ,front	134019910
15	Switch,temperature ,4 posn rotary	134409000
16	Screw,pan head ,10.16AB X 0.375	131168200
17	Bracket,control mtg.	131993040
18	Panel,trimplate ,bisque ,console front	137001700
20	End Cap,bisque ,LH	134019611
21	Knob,timer ,bisque ,assy	134035201
22	SCREW,8-18 X 1.250	131266330
25	Pointer,timer knob ,bisque ,dark brown	134035101
27	CLIP-CONSOLE MTG	131197000
29	Wire harness,main	137022000
31	End Cap,bisque ,RH	134019601
33	Switch,temp selector ,2 position	134904500
56	Screw,pan hd locking ,8-32CA x 0.375	131243800
80	Screw,10-16AB x 0.375	131168200