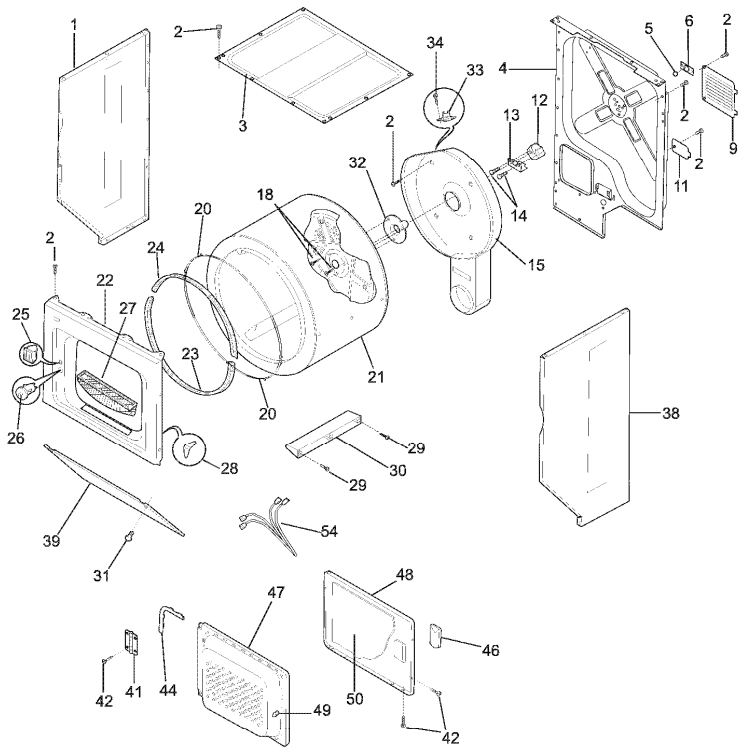


**SWSG1031DQ0 TAMBOR**





## SWSG1031DQ0 TAMBOR

|    |            |  |
|----|------------|--|
| 1  | 131084712  | PANEL,BISQUE ,LEFT SIDE (S/P)              |
| 2  | 131168200  | SCREW,PAN HEAD ,8-18B X 0.31 (S/P)         |
| 3  | 131883301  | PANEL,TOP (S/P)                            |
| 4  | 134799902  | PANEL,REAR ,STEEL ,GALVANIZED (S/P)        |
| 5  | 5303281019 | BALL (S/P)                                 |
| 6  | 5303281020 | CLIP,BALL ,STEEL ,FLAT NUT (S/P)           |
| 9  | 3204249    | PANEL,MOTOR ACCESS ,REAR (S/P)             |
| 11 | 5303207395 | COVER,TERMINAL BLOCK <b>DESCONTINUADO</b>  |
| 12 | 131825900  | BEARING,DRUM SUPPORT                       |
| 13 | 131724300  | BRACKET,BEARING SUPPORT (S/P)              |
| 14 | 131205400  | SCREW,BRACKET MTG. ,10-16B X 1.375 (S/P)   |
| 15 | 5303207394 | HOUSING,HEATER ,W/DUCT & SEAL (S/P)        |
| 18 | 131477000  | SCREW,10-16AB X 0.375 (S/P)                |
| 20 | 131963900  | GLIDE,DRUM                                 |
| 21 | 134122572  | DRUM,DRYER ,PAINTED ,SERVICE KIT (S/P)     |
| 22 | 134102700  | PANEL,FRONT ,BISQUE ,SVCE KIT W/PLUG (S/P) |
| 23 | 5303937183 | SEAL,FELT ,LOWER                           |
| 24 | 5303937182 | SEAL,FELT ,UPPER                           |
| 25 | 131658800  | DOOR CATCH (S/P)                           |
| 27 | 131359600  | LINT TRAP                                  |
| 28 | 5303281074 | CLIP,GUIDE ,(3)                            |
| 29 | 131382300  | SCREW,QUADREX HEAD ,10-14 X 1.00 (S/P)     |
| 30 | 5303201200 | VANE,STRAIGHT (S/P)                        |
| 31 | 131202300  | SCREW,PPH ,10-16AB X 0.625 (S/P)           |
| 32 | 5303281153 | SHAFT,DRUM SUPPORT ,BALLHITCH              |
| 34 | 131243800  | SCREW,PAN HD LOCKING ,8-32CA X 0.375 (S/P) |
| 38 | 131084812  | PANEL,BISQUE ,RIGHT SIDE (S/P)             |
| 39 | 131084404  | PANEL,ACCESS ,BISQUE ,FRONT (S/P)          |
| 41 | 134222900  | HINGE,DRYER DOOR (S/P)                     |
| 42 | 131209600  | SCREW,FLAT HEAD ,8-18AB X 0.44 , (S/P)     |
| 44 | 131129900  | GASKET,DOOR SEAL (S/P)                     |
| 46 | 131789402  | HANDLE,DOOR ,BISQUE (S/P)                  |
| 47 | 131579103  | PANEL,INNER DOOR ,WHITE (S/P)              |

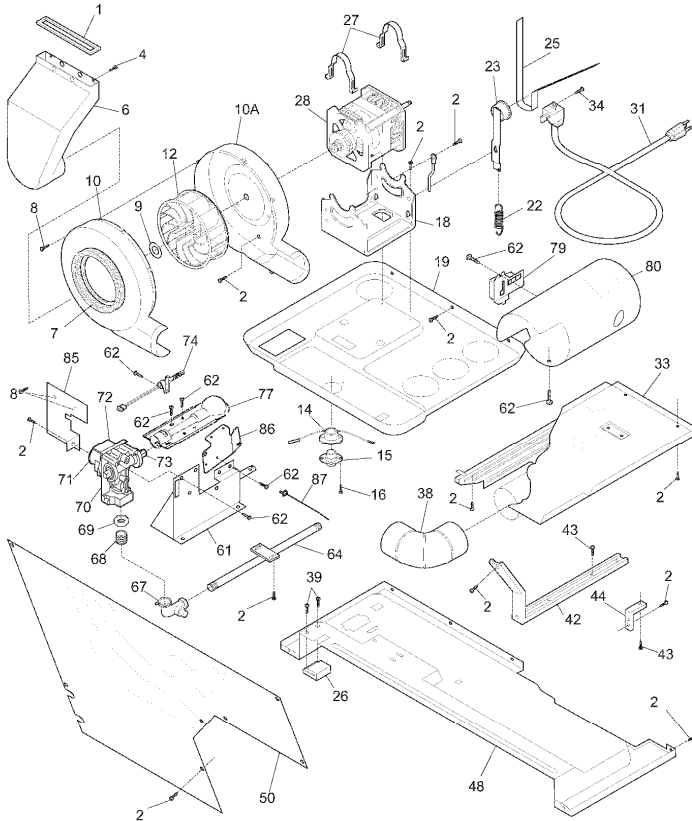
|     |            |  |
|-----|------------|--|
| 48  | 131789305  | PANEL, OUTER DOOR , BISQUE <b>(S/P)</b>              |
| 49  | 5303207102 | DOOR STRIKE <b>(S/P)</b>                             |
| 50  | 134535300  | INSULATOR, HEAT SHIELD , OUTER DOOR <b>(S/P)</b>     |
| NI  | 131870700  | PLUG, LIGHT HOLE <b>(S/P)</b>                        |
| F54 | 131498900  | WIRING HARNESS, DOOR SWITCH , W/O LIGHT <b>(S/P)</b> |
| F33 | 5304406099 | THERMOSTAT, SAFETY                                   |
| F26 | 5308001614 | SWITCH, DOOR , W/O DRUM LIGHT <b>DESCONTINUADO</b>   |

Distribuidor Autorizado

**SurteRápido.com**

Venta de Refacciones  
Electrodomesticas

## WSG1031DQ0 MOTOR



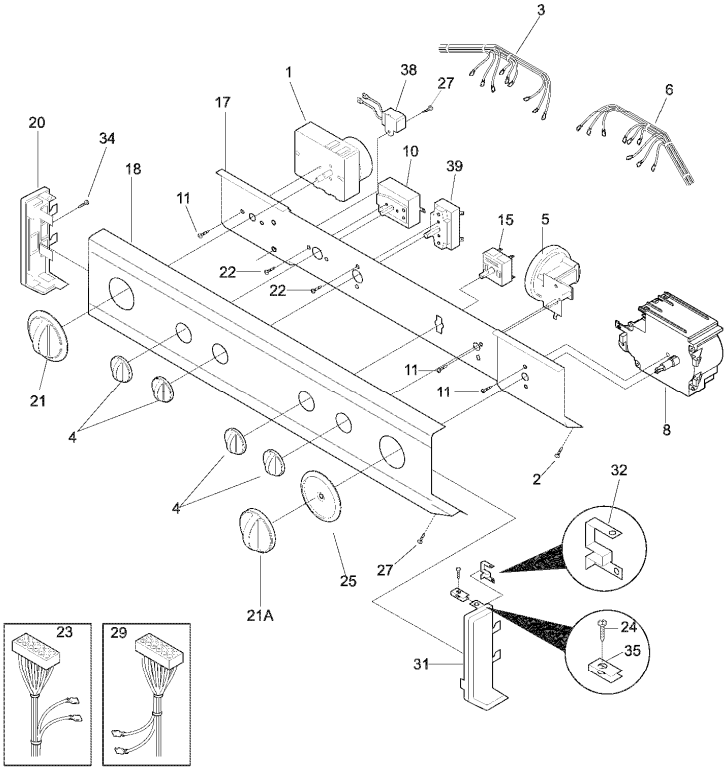


## SWSG1031DQ0 MOTOR

|     |            |   |
|-----|------------|---|
| 1   | 131295200  | SEAL,AIR DUCT <b>(S/P)</b>                        |
| 2   | 131168200  | SCREW,PAN HEAD ,8-18B X 0.31 <b>(S/P)</b>         |
| 4   | 131362400  | FASTENER,PUSH-IN <b>(S/P)</b>                     |
| 6   | 134086300  | DUCT,AIR  |
| 7   | 3204490    | SEAL,BLOWER HOUSING ,TO AIR DUCT <b>(S/P)</b>     |
| 8   | 3205245    | SCREW,PAN HEAD ,6-18AB X 0.60 <b>(S/P)</b>        |
| 9   | 5303304824 | CLAMP   |
| 10  | 131784500  | HOUSING,BLOWER ,FRONT ,WITH SEAL                  |
| 12  | 131476300  | BLOWER WHEEL                                      |
| 16  | 131311900  | SCREW,QUADREX PH ,8-18AB X 0.500 <b>(S/P)</b>     |
| 18  | 131413600  | CRADLE,MOTOR MOUNT ,WITH IDLER STUD <b>(S/P)</b>  |
| 19  | 131363901  | PANEL,MOTOR CRADLE MT <b>(S/P)</b>                |
| 22  | 3205241    | SPRING,IDLER <b>(S/P)</b>                         |
| 23  | 131623300  | IDLER ARM ASSY,WITH PULLEY <b>(S/P)</b>           |
| 26  | 5303212870 | BLOCK,SUPPORT ,BOTTOM PANEL <b>(S/P)</b>          |
| 27  | 134242400  | CLAMP,MOTOR MTG. <b>(S/P)</b>                     |
| 33  | 131731410  | SHIELD,ACCESS AREA ,COVER <b>(S/P)</b>            |
| 34  | 134154100  | SCREW,HEX WASHER HEAD ,10-32 X 0.375 <b>(S/P)</b> |
| 38  | 3204320    | ELBOW,EXHAUST DUCT <b>(S/P)</b>                   |
| 39  | 131205100  | SCREW,NO.8 PAN HEAD ,10-10B X 0.500 <b>(S/P)</b>  |
| 42  | 5304439185 | BRACKET,MARRIAGE ,INTERIOR <b>(S/P)</b>           |
| 43  | 131751500  | SCREW,HEX HEAD ,12-24T 0.63 <b>(S/P)</b>          |
| 44  | 3204326    | BRACKET,L MOUNTING ,CABINET REAR <b>(S/P)</b>     |
| 48  | 131731310  | PANEL,DRYER ,BOTTOM REAR <b>(S/P)</b>             |
| 50  | 3204329    | COVER,SAFETY ,LOWER FRONT <b>(S/P)</b>            |
| 61  | 5303309493 | BRACKET,GAS VALVE MTG <b>(S/P)</b>                |
| 62  | 215822000  | SCREW,PAN HEAD ,8-18AB X 0.375 <b>(S/P)</b>       |
| 64  | 134145200  | PIPE,GAS <b>DESCONTINUADO</b>                     |
| 85  | 134287300  | SHIELD,HEAT <b>(S/P)</b>                          |
| 86  | 134264800  | PLATE,ADAPTER <b>(S/P)</b>                        |
| 87  | 131964400  | CABLE TIE,PUSH MOUNT ,5.20 INCH <b>(S/P)</b>      |
| F25 | 134503900  | BELT,DRYER DRIVE                                  |
| F70 | 134169200  | VALVE,LP GAS <b>(S/P)</b>                         |

|     |            |  |
|-----|------------|--|
| NI  | 134169500  | GAS CONVERSION KIT,LP TO NATURAL (S/P) |
| F67 | 131498500  | VALVE,GAS SHUTOFF (S/P)                |
| F15 | 131322600  | THERMOSTAT,CONTROL                     |
| F71 | 279834     | SOLENOID,SECONDARY COIL                |
| F73 | 5303207411 | ORIFICE,LP GAS ,NO.55                  |
| F68 | 134185100  | TAIL PIECE,COUPLING (S/P)              |
| F28 | 134196600  | MOTOR,DRYER DRIVE ,WITH PULLEY (S/P)   |
| F77 | 134216600  | BURNER ASSY (S/P)                      |
| F14 | 5303207400 | THERMOSTAT,HEATER                      |
| F80 | 131712401  | TUBE,BURNER (S/P)                      |
| F31 | 134099900  | POWER CORD,ELECTRIC SVCE               |
| 10A | 134145100  | HOUSING,BLOWER ,REAR (S/P)             |
| F69 | 5308015194 | UNION,HEX NUT (S/P)                    |
| F79 | 5303281135 | SENSOR,RADIANT (S/P)                   |
| F74 | 134393700  | IGNITER ASSY (S/P)                     |
| F72 | 279834     | SOLENOID,BOOSTER COIL                  |
| FNI | 5303207410 | ORIFICE,NATURAL GAS ,SIZE 44 (S/P)     |

**SWSG1031DQ0 TABLERO**



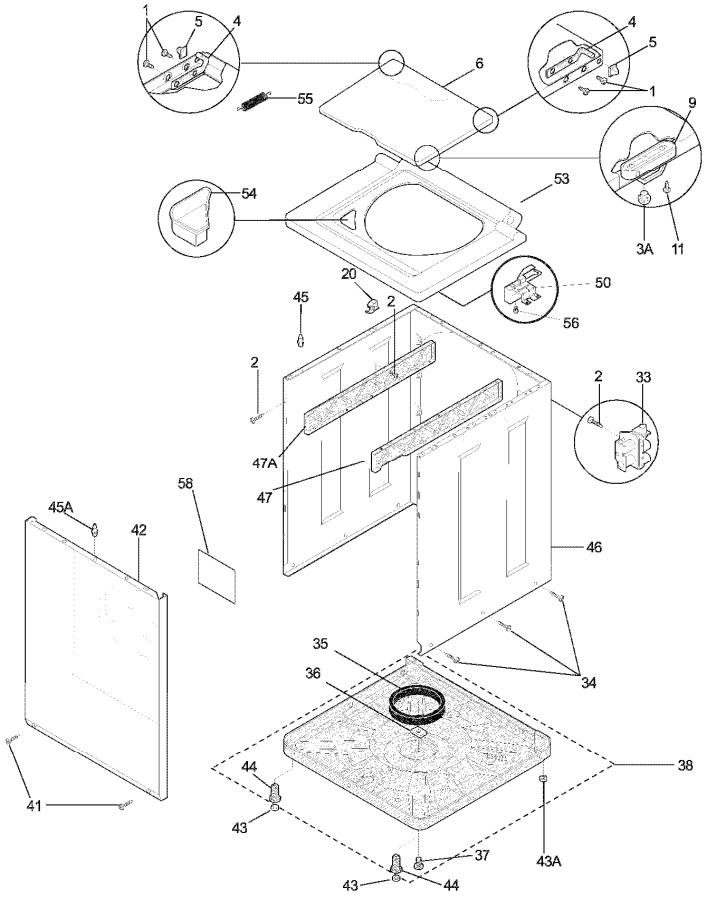


## SWSG1031DQ0 TABLERO

|     |            |   |
|-----|------------|---|
| 2   | 131168200  | SCREW,PAN HEAD ,8-18B X 0.31 (S/P)              |
| 4   | 134034971  | KNOB,ROTARY ,BISQUE (S/P)                       |
| 11  | 5303283289 | SCREW,CR PAN HEAD ,8-32 X 0.250 (S/P)           |
| 17  | 134263400  | BRACKET,CONTROL MTG (S/P)                       |
| 18  | 134417400  | PANEL,TRIMPLATE ,BISQUE ,CONSOLE FRONT (S/P)    |
| 20  | 131288104  | END CAP,BISQUE ,LH (S/P)                        |
| 21  | 134043001  | KNOB,DRYER TIMER ,BISQUE (S/P)                  |
| 22  | 3161259    | SCREW,SWITCH MTG ,6-32 X 0 .19 ,(2) ,SEMS (S/P) |
| 24  | 131209600  | SCREW,FLAT HEAD ,8-18AB X 0.44 (S/P)            |
| 25  | 131976805  | INDICATOR,TIMER POINTER (S/P)                   |
| 27  | 131892100  | SCREW,6-20B X 0.230 (S/P)                       |
| 31  | 131288214  | END CAP,BISQUE ,RH ,WITHOUT CUT OUT (S/P)       |
| 32  | 3204357    | CLIP,GROUNDING (S/P)                            |
| 34  | 215822000  | SCREW,PAN HEAD ,8-18AB X 0.375 (S/P)            |
| 35  | 131063700  | CLIP,END CAP MTG ,U-TYPE (S/P)                  |
| 21A | 134043201  | KNOB,WASHER TIMER ,BISQUE (S/P)                 |
| F10 | 131447500  | SWITCH,START ,TURN TYPE                         |
| F1  | 131583801  | TIMER,DRYER ,3-OFF                              |
| F15 | 134410100  | SWITCH,TEMP SELECTOR ,3 POSN ROTARY             |
| F5  | 134422700  | SWITCH,PRESSURE ,3 POSITION ,1/2 HP             |
| F39 | 134399800  | SWITCH,DRYER TEMP ,4 POSN ROTARY                |
| NI  | 131209800  | CLAMP,HOSE ,PRESSURE SWITCH (S/P)               |
| F3  | 131703600  | WIRING HARNESS,DRYER CONTROL (S/P)              |
| F23 | 131848700  | WIRING HARNESS,MAIN (S/P)                       |
| F8  | 134049600  | TIMER,WASHER (S/P)                              |
| FNI | 134101400  | TERMINAL BLOCK,MAIN (S/P)                       |
| NI  | 5303161300 | STRAP,PLASTIC (S/P)                             |
| F38 | 5303286537 | BUZZER (S/P)                                    |
| F29 | 134689400  | WIRING HARNESS,WASHER ,LOWER (S/P)              |
| F6  | 134542500  | WIRING HARNESS,WASHER CONTROL (S/P)             |



**SWSG1031DQ0 GABINETE**





## SWSG1031DQ0 GABINETE

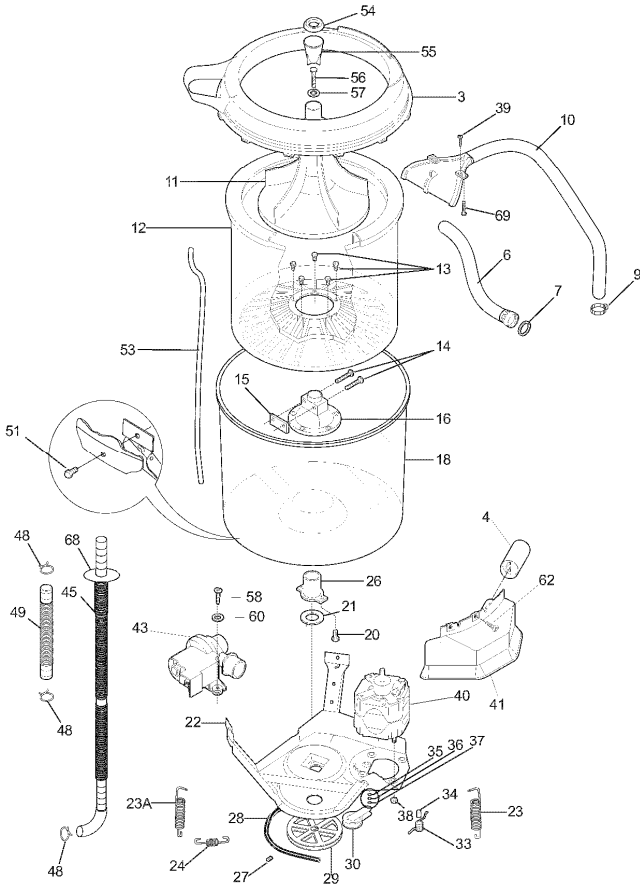
|     |            |   |
|-----|------------|---|
| 1   | 134203900  | SCREW,PAN HD PHILLIPS ,6-32 X 0.337 (S/P) |
| 2   | 131168200  | SCREW,PAN HEAD ,8-18B X 0.31 (S/P)        |
| 4   | 3205250    | HINGE BAR (S/P)                           |
| 5   | 5303208743 | GROMMET,HINGE (S/P)                       |
| 6   | 5304417765 | LID,WASHER ,BISQUE (S/P)                  |
| 9   | 131390000  | LID STRIKE                                |
| 11  | 3204368    | SCREW,LID STRIKE MTG ,6-20B X 0.375 (S/P) |
| 20  | 3204374    | PIN,SLIDE ,SIDE TO TOP (S/P)              |
| 34  | 131205500  | SCREW,CAB BODY ,1/4-14 X 0.625 (S/P)      |
| 35  | 5308002385 | SNUBBER RING                              |
| 36  | 3204380    | SHIPPING BLOCK (S/P)                      |
| 37  | 131658900  | SCREW,SHIPPING ,1/4-20 X 1.001 (S/P)      |
| 38  | 5303311213 | BASE ASSEMBLY                             |
| 41  | 131258400  | SCREW,10-16AB X 0.500 (S/P)               |
| 42  | 131104306  | PANEL,FRONT ,BISQUE (S/P)                 |
| 43  | 131422100  | PAD,LEVELING LEG ,FRONT                   |
| 44  | 5303309673 | SCREW,LEVELING LEG ,WITH PAD              |
| 45  | 131346400  | PIN,PANEL LOCATOR ,SIDE (S/P)             |
| 46  | 134046603  | CABINET ASSY,BISQUE ,BACK AND SIDES (S/P) |
| 47  | 131106701  | BRACKET,MARRIAGE ,RH (S/P)                |
| 53  | 134136100  | PANEL,WASHER TOP ,BISQUE (S/P)            |
| 54  | 3204394    | DISPENSER,BLEACH (S/P)                    |
| 55  | 5303212876 | SPRING,LID ASSIST                         |
| 56  | 215822000  | SCREW,PAN HEAD ,8-18AB X 0.375 (S/P)      |
| 58  | 131744202  | DAMPER,VIBRATION (S/P)                    |
| 47A | 131091001  | BRACKET,MARRIAGE ,LH (S/P)                |
| 45A | 131346401  | PIN,PANEL LOCATOR ,FRONT (S/P)            |
| F33 | 134190200  | VALVE,WATER ,115 V (S/P)                  |
| 3A  | 134075500  | BUMPER,LID ,FRONT                         |
| F50 | 134101800  | LOCK,LID ,W/EXT SWITCH                    |
| 43A | 131422200  | PAD,SELF LVLG LEG ,REAR (S/P)             |

Distribuidor Autorizado

SurteRápido.com

Venta de Refacciones  
Electrodomesticas

SWSG1031DQ0 TINAS



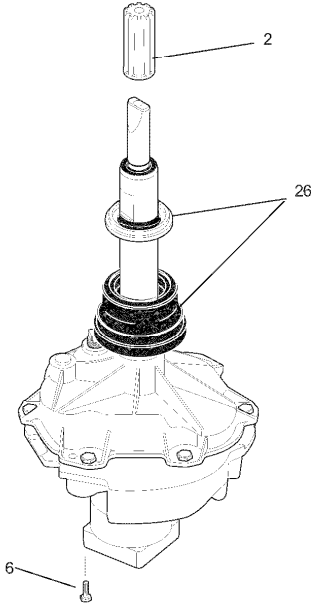
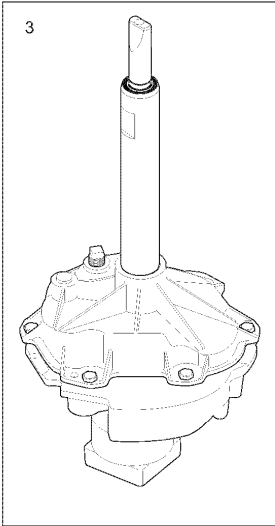


## SWSG1031DQ0 TINAS

|    |            |  |
|----|------------|--|
| 3  | 131551103  | COVER,SPLASH TUB ,WITH SEAL                  |
| 6  | 131279600  | HOSE,WATER INLET ,4 FT. ,HOSE & WASHER (S/P) |
| 7  | 5303161296 | WASHER,INLET HOSE (S/P)                      |
| 9  | 5303304824 | CLAMP  |
| 10 | 131726300  | HOSE ASSY,W/NOZZLE,CLAMP                     |
| 12 | 131221310  | TUB,SPIN (S/P)                               |
| 13 | 5303283293 | SCREW,TRUNION ,5/16-18 X 0.625 ,(5)          |
| 14 | 131192800  | SCREW,LOCKPLATE ,5/16-18 X 1.625 (S/P)       |
| 15 | 5308001923 | PLATE,LOCK                                   |
| 16 | 131545101  | TRUNNION                                     |
| 18 | 131557201  | TUB,SPLASH ,W/AIR DOME,BRG (S/P)             |
| 20 | 3205150    | SCREW,TUB BEARING ,8-12B X 0.750 (S/P)       |
| 21 | 5308002401 | WASHER,SPIN BEARING ,UPPER (S/P)             |
| 22 | 131373610  | LEG & DOME ASSY                              |
| 23 | 5303208858 | SPRING,VERTICAL ,SHORT                       |
| 24 | 131373900  | SPRING,HORIZONTAL (S/P)                      |
| 27 | 5303304825 | SCREW,SET,HEX HD CUP ,5/16-18 X 0.85 (S/P)   |
| 33 | 3204425    | SPRING,TORSIONAL                             |
| 34 | 3204426    | SLEEVE,IDLER PIVOT                           |
| 35 | 3161433    | RING,RETAINING (S/P)                         |
| 36 | 5303261031 | WASHER,PIVOT SHAFT                           |
| 37 | 5303161306 | WASHER,SPRING TYPE                           |
| 38 | 5303318708 | NUT,HEX FLANGE ,MOTOR MOUNTING (S/P)         |
| 39 | 131205100  | SCREW,NO.8 PAN HEAD ,10-10B X 0.500 (S/P)    |
| 41 | 131513300  | SHIELD,MOTOR ASSY ,W/SPEED NUTS (S/P)        |
| 45 | 134049200  | HOSE,DRAIN                                   |
| 48 | 131306234  | CLAMP,PUMP TO TRAP (S/P)                     |
| 51 | 134164400  | SCREW,HEX WASHER HEAD ,5/16-18 X 0.625 (S/P) |
| 53 | 5304401845 | TUBE,PRESSURE ,VINYL                         |
| 54 | 131266800  | CAP,DISPENSER (S/P)                          |
| 55 | 131206100  | CUP,DISPENSER (S/P)                          |
| 56 | 131468900  | SCREW,AGITATOR MTG ,5/16-18 X 1.250 (S/P)    |
| 57 | 131339600  | SPACER,AGITATOR MTG ,RUBBER (S/P)            |

|     |            |  |
|-----|------------|--|
| 58  | 134160900  | SCREW,QUADREX ,10-16AB X 0.750 (S/P)   |
| 60  | 5303304015 | WASHER,0.21 X 0.71 ,0.06 THICK (S/P)   |
| 62  | 131258400  | SCREW,10-16AB X 0.500 (S/P)            |
| 68  | 131707800  | RING,DRAIN HOSE (S/P)                  |
| 69  | 131731500  | FASTENER,RATCHET (S/P)                 |
| F28 | 131686100  | V-BELT,WASHER DRIVE ,STANDARD 4L       |
| F26 | 3204405    | BEARING,OUTER TUB                      |
| NI  | 131462500  | CLIP,DRAIN HOSE ,BASE (S/P)            |
| F29 | 131498300  | PULLEY,XMSN DRIVE                      |
| F30 | 131862900  | IDLER ARM ASSY,VAW ,WITH PULLEY        |
| NI  | 5303212877 | INSERT,SPRING ADJUSTER ,VERTICAL       |
| NI  | 5303309503 | CLIP,DRAIN HOSE ,BACK SHEET (S/P)      |
| NI  | 131453000  | BUSHING,SNAP-IN (S/P)                  |
| F40 | 134158800  | MOTOR,3/4 HP,2 SPEED ,WITH PULLEY      |
| 23A | 5303208860 | SPRING,VERTICAL (S/P)                  |
| F43 | 134051200  | PUMP,DRAIN                             |
| NI  | 131901400  | . SEAL,SPLASH COVER                    |
| NI  | 131663500  | CUSHION,DRAIN HOSE ,BASE (S/P)         |
| NI  | 131506500  | CLIP,DRAIN HOSE ,BACK SHEET ,(2) (S/P) |
| F49 | 131494800  | HOSE,PUMP TO TUB                       |
| F4  | 131212301  | CAPACITOR,MOTOR (S/P)                  |
| F11 | 131427200  | AGITATOR                               |

**SWSG1031DQ0 TRANSMISION**





## SWSG1031DQ0 TRANSMISION

|     |            |   |
|-----|------------|---|
| 6   | 134197900  | SCREW,HEX WASHER HEAD ,1/4-20 X 0.437 (S/P) |
| F3  | 134736400  | TRANSMISSION ASSY,H+-HELICAL GEAR           |
| F26 | 5308950197 | SEAL ASSY,TUB ,TRANSMISSION                 |
| F2  | 134418700  | HUB,DRIVE ,AGITATOR                         |