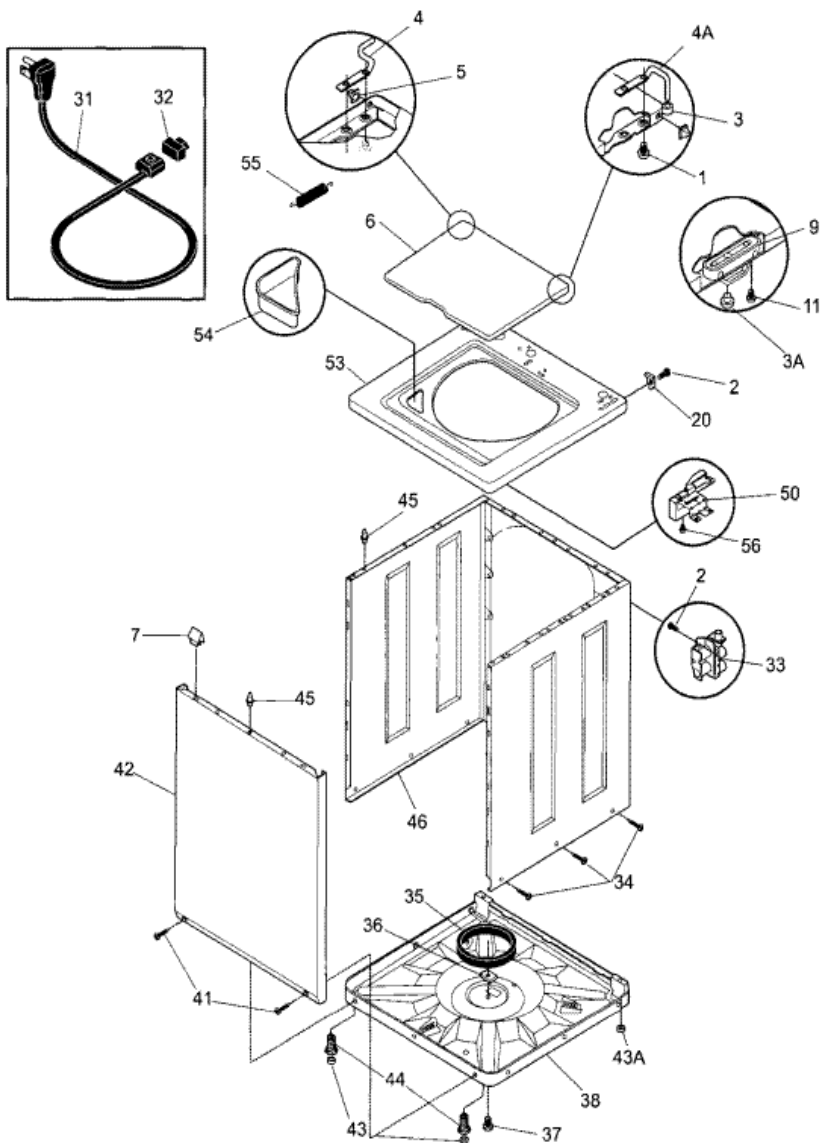


Distribuidor Autorizado

SurteRápido.com

Venta de Refacciones  
Electrodomesticas

## SWX703AQ0 GABINETE





## SWX703AQ0 GABINETE

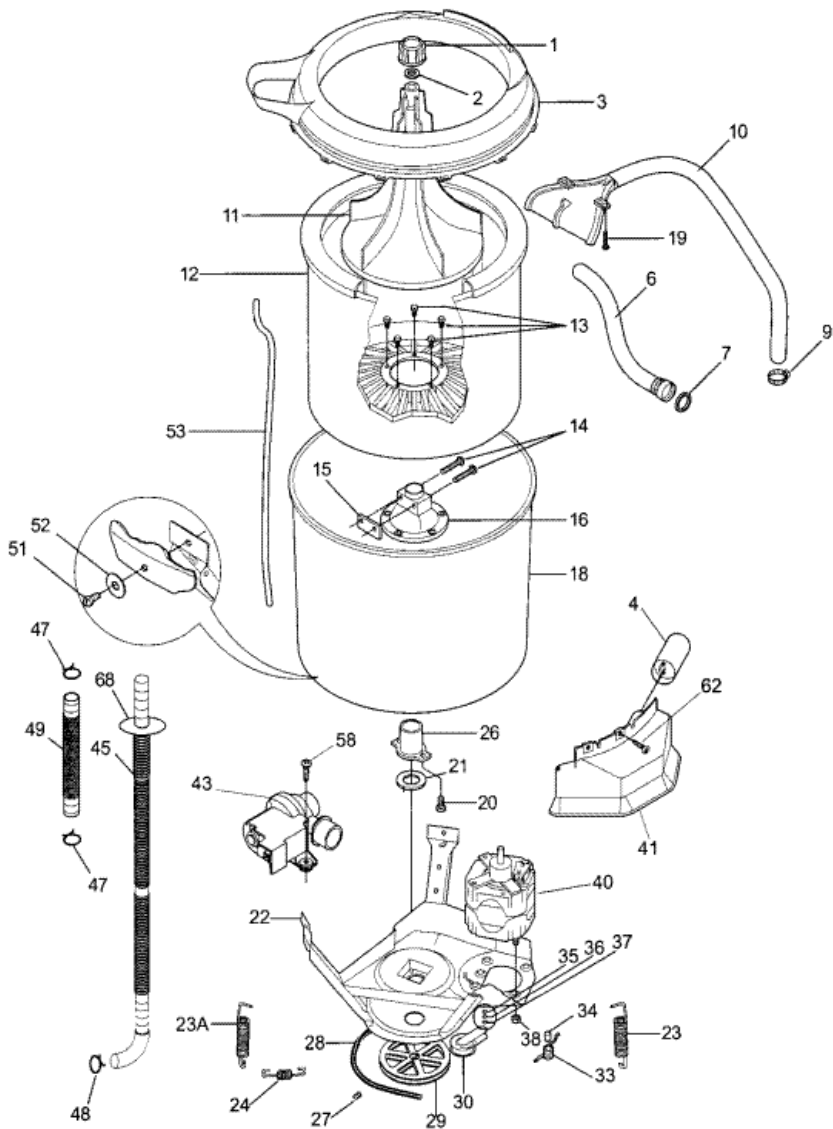
1	131587500	SCREW-HINGE, (S/P)
2	131168200	SCREW,8-18 X 0.31 (S/P)
3	131433300	BUMPER-HINGE (S/P)
4	131385910	HINGE-BAR,LH (S/P)
5	5303208743	GROMMET-LID (S/P)
6	131374404	LID-BISQUE NO INST (S/P)
7	3205821	CLIP-TOP PANEL,TO FRONT PANEL (S/P)
9	131390000	STRIKE-LID
11	3204368	SCREW-STRIKE,PFH B ,6-20X.375 (S/P)
20	5303208751	HINGE-REAR CABINET
31	134501000	CORD-SERVICE (S/P)
32	5303209428	BUSHING-CORD (S/P)
34	131205500	SCREW-BODY,1/4-14 X 0.625 (S/P)
35	5308002385	RING-SNUBBER
36	3204380	BLOCK-SHIPPING (S/P)
37	131658900	SCREW-SHIPPING (S/P)
38	5303311213	BASE ASSEMBLY (S/P)
41	131258400	SCREW-FRONT PNL (S/P)
42	131104306	BSQ FRT PNL FSW & LC (S/P)
43	131422100	PAD-LEVELING LEG
44	5303309673	LEG-LEVELING,WITH PAD
45	131346400	PIN-LOCATING (S/P)
46	131593503	ASMY-3 PC CABINET-BISQUE (S/P)
50	134101800	LOCK-LID
53	131452656	<b>DESCONTINUADO</b>
54	5303208778	DISPENSER-BLEACH (S/P)
55	5303212876	SPRING-LID
56	131243800	SCREW-BRKT TOP,PAN HD LOCKIN (S/P)
4A	131374210	HINGE-BAR,RH (S/P)
F33	134140200	VALVE-WATER (S/P)
43A	131422200	PAD-LEVEL LEG (S/P)
3A	3204369	BUMPER-LID

Distribuidor Autorizado

SurteRápido.com

Venta de Refacciones  
Electrodomesticas

SWX703AQ0 TINA



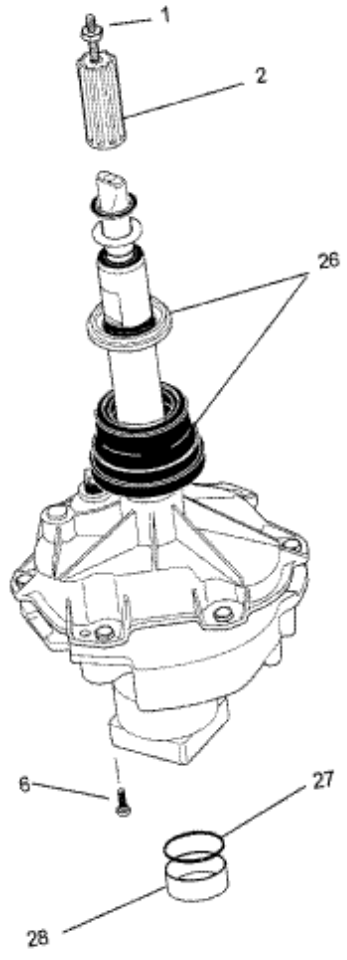
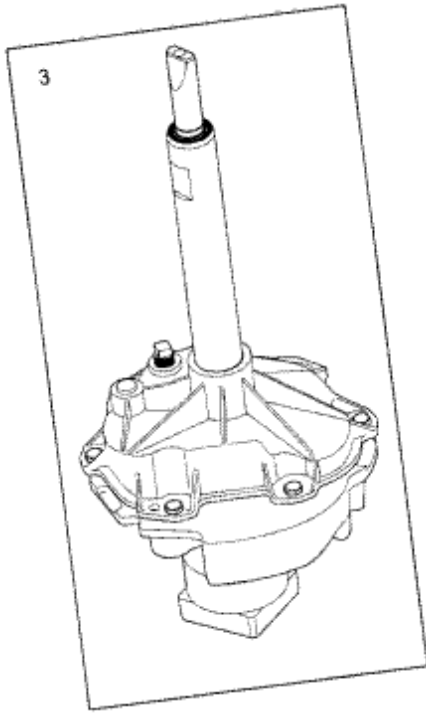


## SWX703AQ0 TINA

1	3204395	CAP-AGITATOR
2	3204396	SEAL-CAP
3	131398303	ASMY-SPLASH TUB COVER H
4	131212301	CAPACITOR <b>(S/P)</b>
6	131279600	HOSE-INLET <b>(S/P)</b>
7	5303161296	WASHER-INLET HOSE <b>(S/P)</b>
9	5303304824	CLAMP
10	131726300	HOSE,NOZZLE, & CLAMP
11	3204401	ASSY-AGITATOR-STANDARD-SLIM
12	131370400	TUB-SPIN,AND TRUNNION
13	5303283293	SCREW-TRUNNION,UNC2AX.625
14	131192800	SCREW-LOCKPLATE,HX ,.
15	5308001923	LOCK PLATE
16	131545101	TRUNNION
18	131557201	TUB-SPLASH,WVAIR DOME,BRNG <b>(S/P)</b>
19	131205300	SCREW,10-16X.75 <b>(S/P)</b>
20	3205150	SCREW-TUB BEARING, <b>(S/P)</b>
21	5308002401	WASHER,SPIN BEARING ,UPPER
22	131373610	LEG & DOME ASSY
23	5303208858	SPRING-VERTICAL,SHORT
24	131373900	SPRING-HORIZONTAL
26	3204405	BEARING-OUTER TUB
27	5303304825	SCREW-SET,HHD CUP PT , <b>(S/P)</b>
29	131498300	PULLEY-TRANSMISSION DRIVE
30	131862900	ASMY-VAW IDLER ARM
33	3204425	SPRING-TORSION
34	3204426	SLEEVE-IDLER
35	3161433	RING-RETAINING
36	5303261031	WASHER-PIVOT SHAFT
37	5303161306	WASHER-SPRING
38	5303318708	NUT-MOTOR <b>(S/P)</b>
40	134156400	MTR/PULLEY 1SP 3/4HP EMERSON
41	131513300	SHIELD-MOTOR <b>(S/P)</b>

43	134051200	ASMY-PUMP
47	5303294768	CLAMP-HOSE TO TUB <b>(S/P)</b>
48	131306234	CLAMP-PUMP <b>(S/P)</b>
51	131659000	SCREW-LEG,HWH TYP23 ,5/16-18X.875 <b>(S/P)</b>
52	131315800	WASHER-LEG,IDX.040 ,1.25 ODX.335 <b>(S/P)</b>
53	5300771996	TUBE-PRESSURE <b>(S/P)</b>
58	131464900	SCREW-PUMP-TO BRACKET <b>(S/P)</b>
62	131258400	SCREW-FRONT <b>(S/P)</b>
68	131707800	RING-DRAIN HOSE <b>(S/P)</b>
F49	131494800	HOSE-PUMP TO TUB
F28	131686100	BELT-WASHER
F45	131461200	HOSE-DRAIN,90 INCH
23A	5303208860	SPRING-VERTICAL

**SWX703AQ0 TRANSMISION**

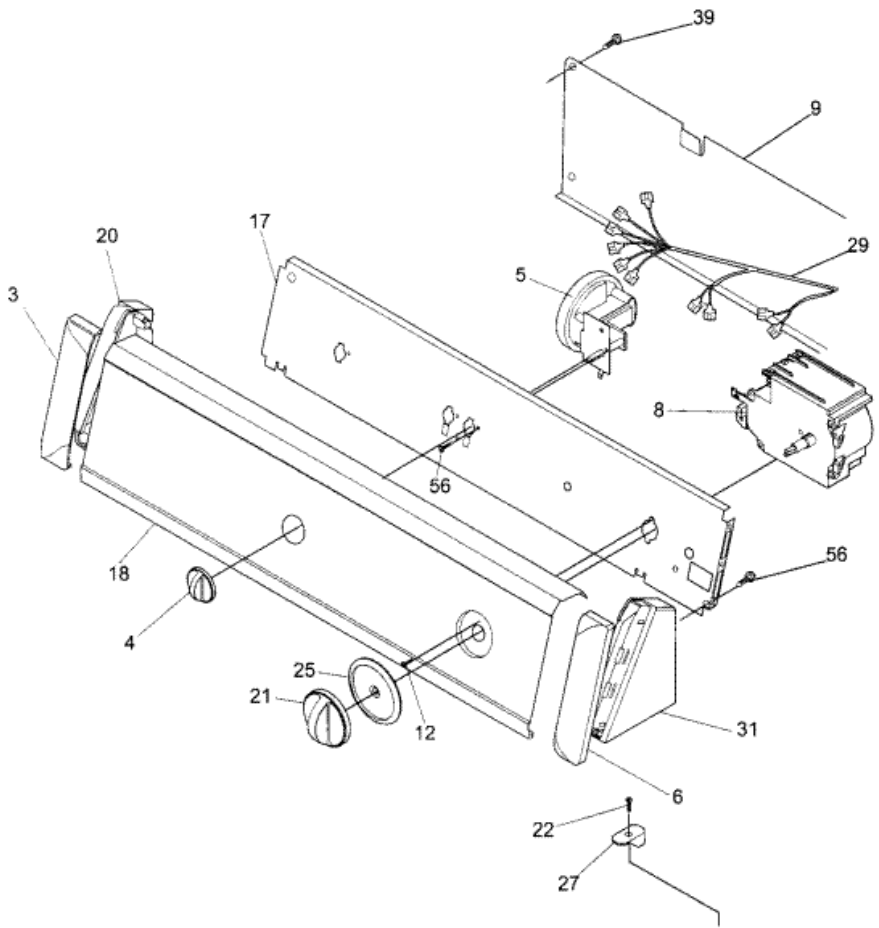




## SWX703AQ0 TRANSMISION

1	131206800	STUD-AGITATOR CAP (S/P)
2	134418700	HUB-DRIVE,AGITATOR
3	134588800	ASMY-TRANS H-HELICAL-PNT HSG
6	131346600	SCREW (S/P)
26	5308950197	SEAL-TUB
27	131784300	<b>DESCONTINUADO</b>
28	131784400	SPACER-TRANS BRG BLOCK-KOYO (S/P)

**SWX703AQ0 TABLERO**







## SWX703AQ0 TABLERO

3	131122613	END CAP COVER-LH BSQ ULTRA (S/P)
4	131141107	KNOB-ROT BSQ/DRK BROWN
5	134411600	PRESSURE-SW 3POS-90-2.7-3/4 HP
6	131122603	END CAP COVER-RH BSQ ULTRA (S/P)
8	131964100	TIMER ELEC H MALLORY-DELTA
9	134077800	BACKSHEET (S/P)
12	131168200	SCREW,8-18 X 0.31 (S/P)
17	131580006	BRACKET-CONTROL (S/P)
18	134075200	TRIMPLATE WWA1HTNFB (S/P)
20	131122713	END CAP LH BSQ-ULTRA,20 (S/P)
21	131592004	KNOB-TIMER BSQ
22	131266300	SCREW-END (S/P)
25	131592104	DIAL-TIMER ALMD (S/P)
27	131197000	CLIP-CONTROL PANEL (S/P)
29	131980700	HARN H MALLORY (S/P)
31	131122703	END CAP RH BSQ-ULTRA,31 (S/P)
39	131205100	SCREW,8 PAN HEAD , (S/P)
56	131243800	SCREW-BRKT TOP, (S/P)