

Distribuidor Autorizado

SurteRápido.com

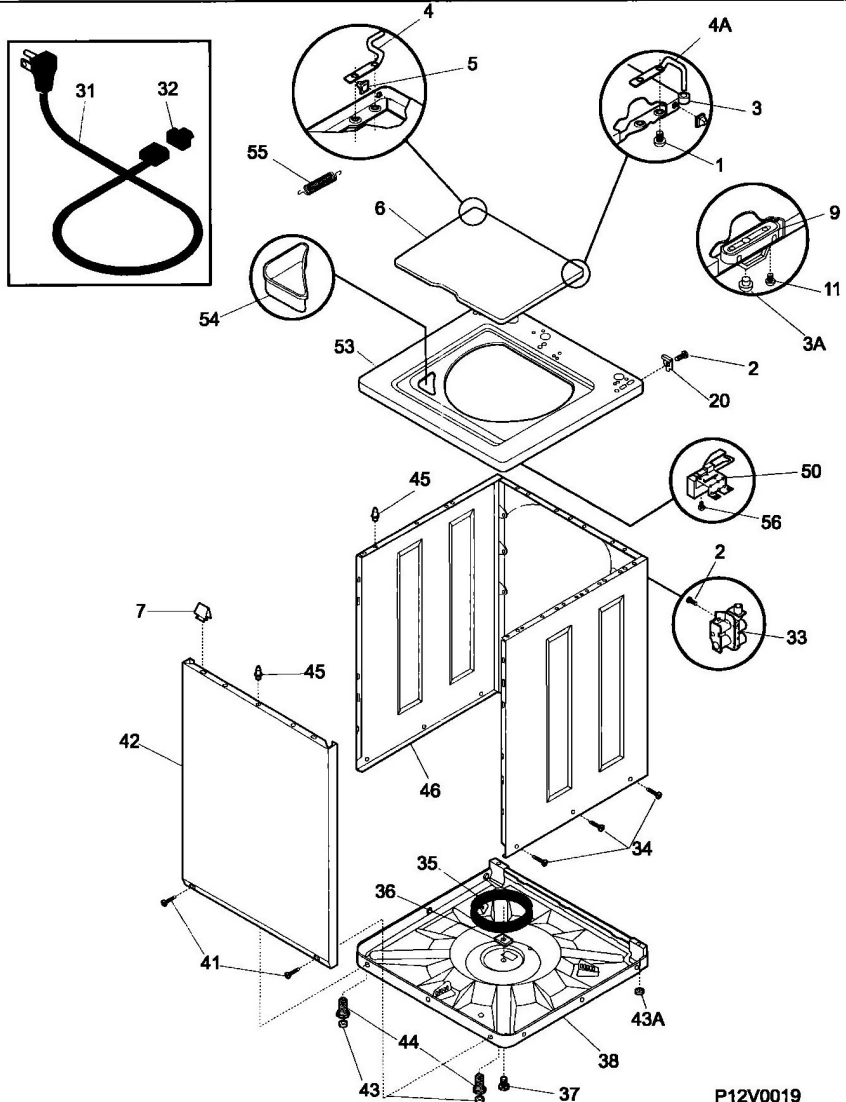
Venta de Refacciones
Electrodomesticas

Lavadora W. Westinghouse SWX703AQ1

Publication No.
5995369567

SWX703A

CABINET/TOP



P12V0019

Distribuidor Autorizado

SurteRápido.com

Venta de Refacciones
Electrodomesticas



Lavadora W. Westinghouse SWX703AQ1

Guía	Número de Parte	Descripción
NI	5303309503	CLIP-BACKSHEET
1	131587500	SCREW-HINGE,PPH 45DEG
3	131433300	BUMPER-HINGE
3A	134075500	Bumper-lid
4	131385910	Hinge-bar,LH
4A	131374220	Hinge bar R.H.
5	5303208743	GROMMET-LID
6	131374404	Lid-bisque no inst
7	3205821	CLIP-TOP PANEL, TO FRONT PANEL
9	131390000	STRIKE-LID
20	5303208751	HINGE-REAR CABINET
31	134100800	Cord-service
32	5303209428	BUSHING-CORD
33	131389300	VALVE-WATER
34	131205500	SCREW-BODY, 1/4-14 X 0.625
35	5308002385	RING-SNUBBER
36	3204380	BLOCK-SHIPPING
37	131658900	SCREW-SHIPPING
38	5303311213	BASE ASSEMBLY
41	131258400	Screw-front pnl,comb th ab ,10-16 x 0.500
42	131104306	Bsq frt pnl FSW & LC
43A	131422200	PAD-LEVEL LEG
44	5303309673	LEG-LEVELING, WITH PAD
45	131346400	PIN, LOCATING
46	134046603	Asmy-cabinet 3pc-bisque
50	134101800	Lid lock w/external sw
53	131452696	Panel-top bleach FS Wshr
54	5303208778	DISPENSER-BLEACH
55	5303212876	SPRING-LID

Distribuidor Autorizado

SurteRápido.com

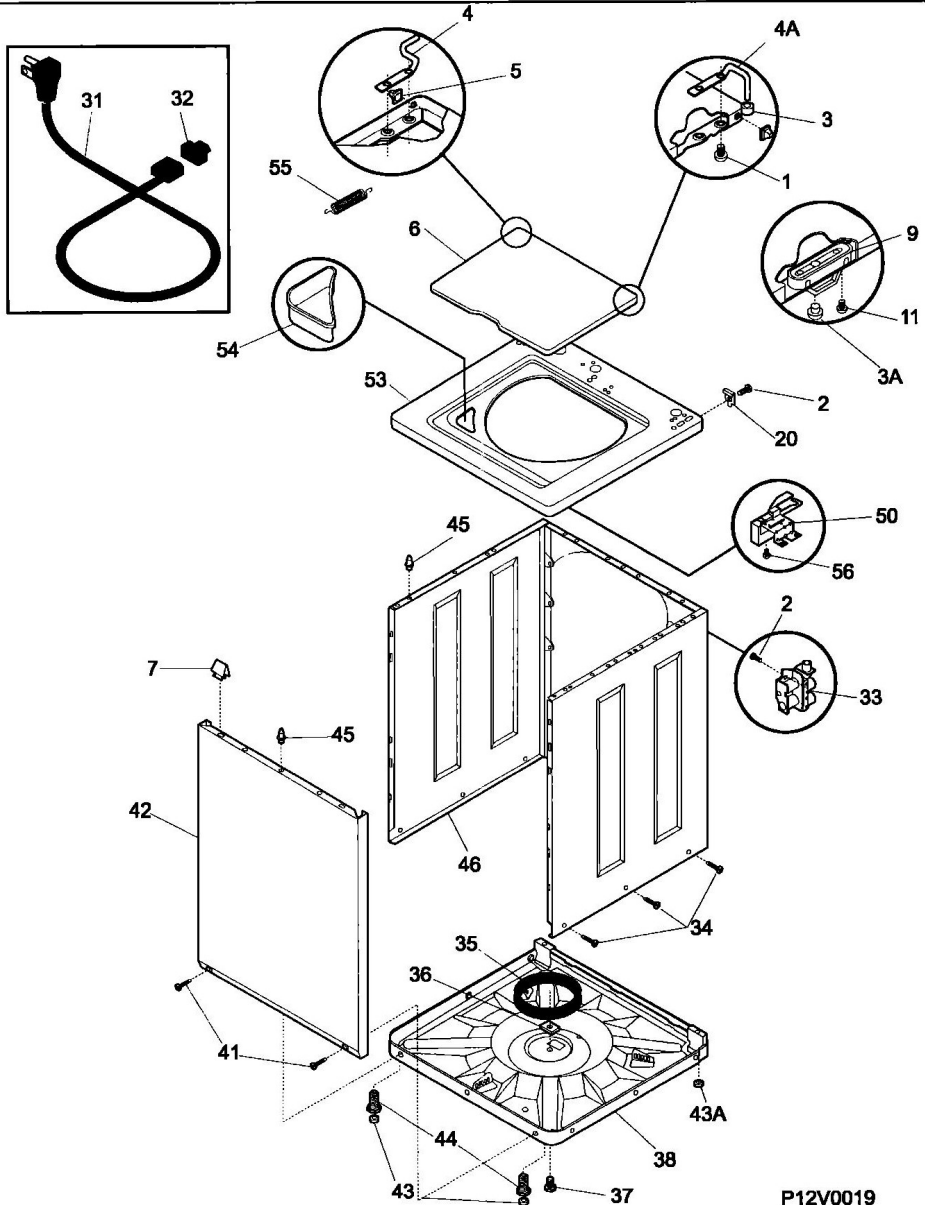
Venta de Refacciones
Electrodomesticas

Lavadora W. Westinghouse SWX703AQ1

Publication No.
5995369567

SWX703A

CABINET/TOP



P12V0019

Distribuidor Autorizado

SurteRápido.com

Venta de Refacciones
Electrodomesticas



Lavadora W. Westinghouse SWX703AQ1

Guía	Número de Parte	Descripción
NI	131462500	CLIP-DRAIN HOSE
NI	131506500	CLIP-DRAIN HOSE
NI	131663500	Cushion
NI	131901400	Seal-splash tub cover
NI	5303212877	INSERT-SPRING ADJ
NI	5303309503	CLIP-BACKSHEET
1	3204395	CAP-AGITATOR
2	3204396	SEAL CAP
3	131398303	Asmy-splash tub cover H
4	131212301	CAPACITOR
6	5303271009	HOSE-INLET
7	5303161296	WASHER-INLET HOSE
9	5303304824	CLAMP
10	131726300	Hose, nozzle, & clamp
11	5304405894	ASSY-AGITATOR-STANDARD-SLIM
12	131090400	TUB-SPIN, AND TRUNNION
13	5303283293	Screw-trunnion,unc2ax.625`.312-18,(5)
14	131192800	SCREW-LOCKPLATE, HX, .312-18 X .1.625
15	5308001923	LOCKPLATE
16	131545101	TRUNNION
18	131557201	TUB-SPLASH, W/AIR DOME, BRNG
19	131205300	SCREW, 10-16 X .75
20	3205150	SCREW-TUB BEARING, PPH B ST/Z
21	5308002401	WASHER, SPIN BEARING, UPPER
22	131373610	LEG & DOME ASSY
23	5303208858	SPRING-VERTICAL (SHORT)
23A	5303208860	SPRING-VERTICAL
24	131373900	SPRING-HORIZONTAL

Distribuidor Autorizado

SurteRápido.com

Venta de Refacciones
Electrodomesticas



Lavadora W. Westinghouse SWX703AQ1

Guía	Número de Parte	Descripción
25	3205405	DISPENSER-FABRIC
26	3204405	BEARING-OUTER TUB
27	5303304825	SCREW-SET, HHD CUP PT, 5/16-18 X .85
28	131686100	BELT-WASHER
29	131498301	Pulley-transmission drive
30	131862900	ASMY-VAW IDLER ARM
33	3204425	SPRING TORSION
34	3204426	SLEEVE-IDLER
35	3161433	RING-RETAINING
36	5303261031	WASHER-PIVOT SHAFT
37	5303161306	WASHER-SPRING
38	5303318708	NUT-MOTOR
40	134096200	ASMY-MTR/PULLEY 1SP 3/4 HP-NOM
41	131513300	SHIELD-MOTOR
43	134051200	Pump-drain-Askoll
45	134049200	HOSE-DRAIN
48	131306234	CLAMP-PUMP
49	131494800	HOSE-PUMP TO TUB
51	131659000	SCREW-LEG, HWH TYP 23, 5/16-18 X .875
52	131315800	WASHER-LEG, IDX.040, 1.25 ODX.335
53	5300771996	TUBE, PRESSURE
58	131303100	SCREW,HWHHD AB ,10-16X.625
60	131304300	WASHER .21 X .71 X .06
62	131258400	Screw-front pnl,comb th ab ,10-16 x 0.500
68	131707800	RING-DRAIN HOSE

Distribuidor Autorizado

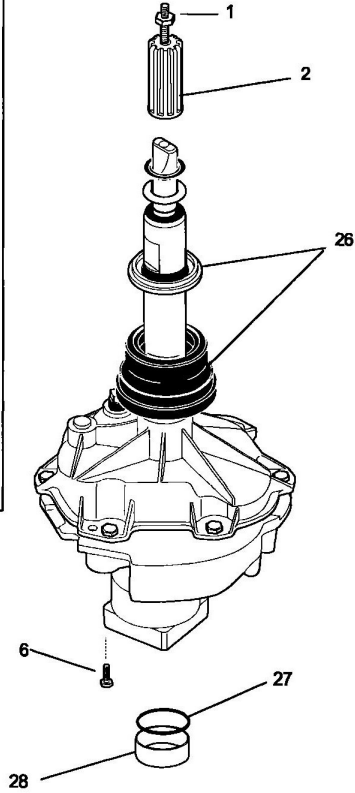
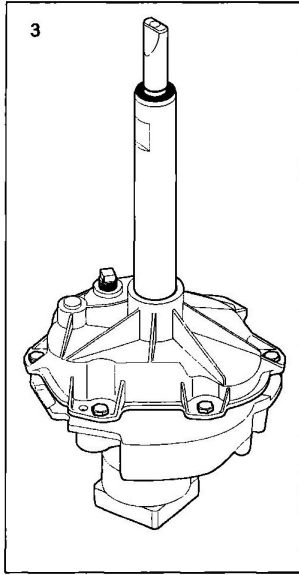
SurteRápido.com

Venta de Refacciones
Electrodomesticas

Lavadora W. Westinghouse SWX703AQ1

Publication No.
5995369567

SWX703A
TRANSMISSION



Distribuidor Autorizado

SurteRápido.com

Venta de Refacciones
Electrodomesticas



Lavadora W. Westinghouse SWX703AQ1

Guía	Número de Parte	Descripción
1	131206800	STUD-AGITATOR CAP
2	5303306139	HUB-DRIVE, AGITATOR
3	131878410	Asmy-trans H-Helical-pnt hsg
6	131346600	SCREW
26	5303279394	SEAL-TUB
27	131784300	WASHER-TRANS-BRG BLOCK-KOYO
28	131784400	SPACER-TRANS BRG BLOCK-KOYO

Distribuidor Autorizado

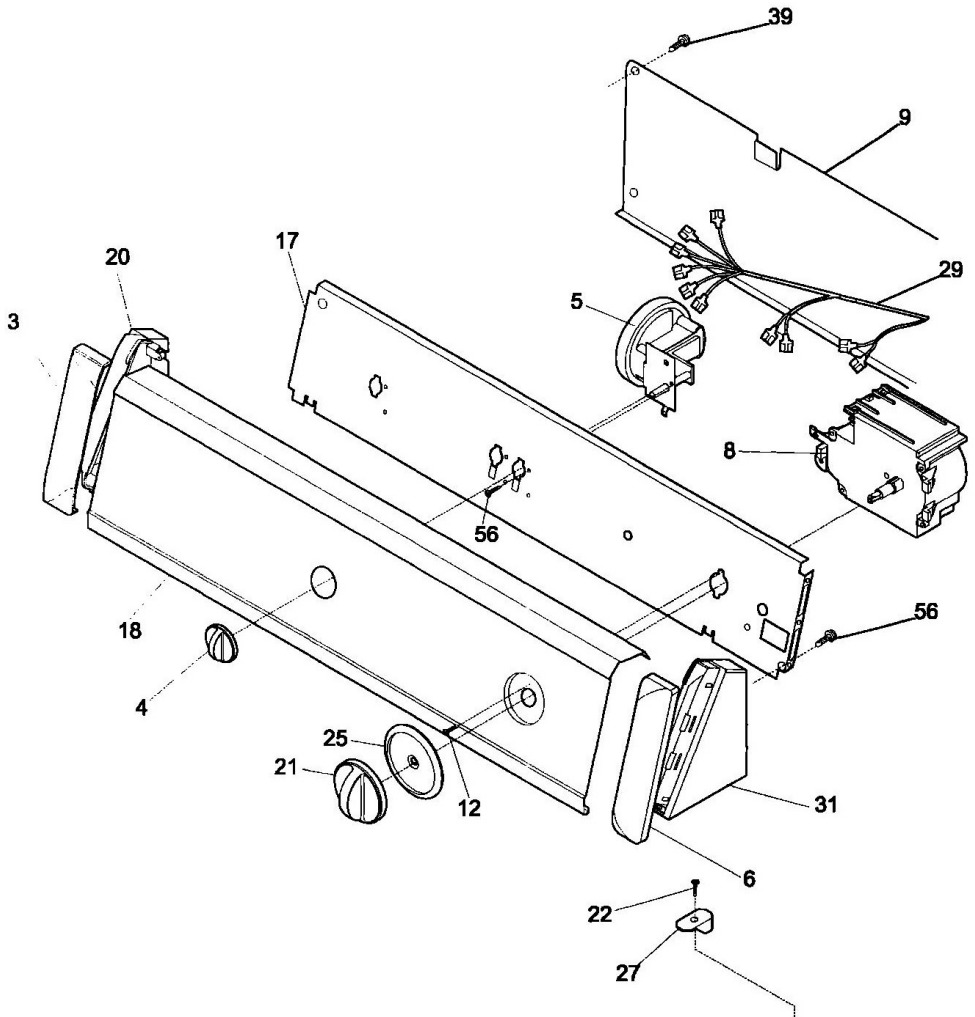
SurteRápido.com

Venta de Refacciones
Electrodomesticas

Lavadora W. Westinghouse SWX703AQ1

Publication No.
5995369567

SWX703A CONTROL PANEL



Distribuidor Autorizado

SurteRápido.com

Venta de Refacciones
Electrodomesticas



Lavadora W. Westinghouse SWX703AQ1

Guía	Número de Parte	Descripción
3	131122613	END CAP COVER-LH BSQ ULTRA
4	131141107	Knob-rot bsq/drk brown
5	134053800	Pressure-sw 3pos-90-2.7-3/4 HP
6	131122603	END CAP COVER-RH BSQ ULTRA
8	131964100	Timer elec H Mallory-Delta
9	134088700	Backsheet-F console
12	131168200	Screw,8-18 x 0.31 ,12
17	131580006	BRACKET-CONTROL
18	134075200	Trimplate WWA1HTNFB
20	131122713	End cap LH BSQ-ultra,20
21	131592004	Knob-timer bsq
22	131266300	Screw-end cap,cr oval head
25	131592104	DIAL-TIMER ALMD
27	131197000	CLIP-CONTROL PANEL
29	134129000	Harn A B & H Mallory
31	131122703	END CAP RH BSQ-ULTRA,31
39	131205100	Screw,No.8 pan head ,10-10B x 0.50 ,cr/sq
56	131243800	Screw-brkt top,pan hd locking ,8-32CA