



SWX703AQ2 GABINETE

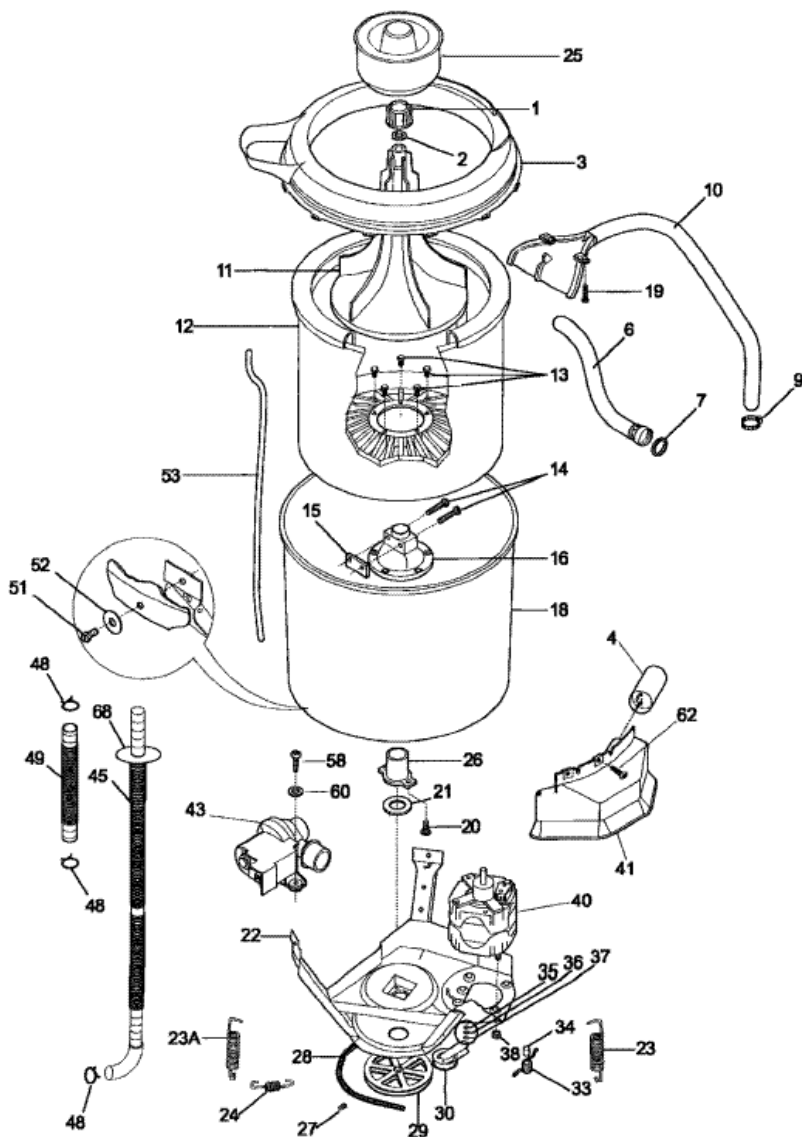
1	134203900	SCREW,PAN HD PHILLIPS ,6-32 X 0.337 (S/P)
2	131168200	SCREW,PAN HEAD ,8-18B X 0.31 (S/P)
3	131433300	BUMPER,LID HINGE (S/P)
4	131385910	HINGE BAR,LH (S/P)
5	5303208743	GROMMET,HINGE (S/P)
6	131374404	LID,BISQUE ,NO INST. (S/P)
7	3205821	CLIP, TOP-TO-FRONT (S/P)
9	131390000	LID STRIKE
11	3204368	SCREW,LID STRIKE MTG ,6-20B X 0.375 (S/P)
20	5303208751	HINGE, TOP PANEL ,CABINET REAR
31	134501000	POWER CORD,ELECTRIC SVCE (S/P)
32	5303209428	BUSHING,POWER CORD (S/P)
34	131205500	SCREW,CAB BODY ,1/4-14 X 0.625 (S/P)
35	5308002385	SNUBBER RING
36	3204380	SHIPPING BLOCK (S/P)
37	131658900	SCREW,SHIPPING ,1/4-20 X 1.001 (S/P)
38	5303311213	BASE ASSEMBLY (S/P)
41	131258400	SCREW,10-16AB X 0.500 (S/P)
42	131104306	PANEL,BISQUE ,FRONT (S/P)
43	131422100	PAD,LEVELING LEG ,FRONT
44	5303309673	SCREW,LEVELING LEG ,WITH PAD
45	131346400	PIN,PANEL LOCATOR ,SIDE (S/P)
46	134046603	CABINET ASSY,BISQUE ,BACK AND SIDES (S/P)
53	131452696	PANEL,BISQUE ,TOP (S/P)
54	5303208778	DISPENSER,BLEACH (S/P)
55	5303212876	SPRING,LID ASSIST
56	131243700	SCREW,PAN HEAD ,8-18AB X 0.375 (S/P)
F50	134101800	LOCK,LID ,W/EXT SWITCH
3A	134075500	BUMPER,LID ,FRONT
F33	134190200	VALVE,WATER ,115 V
43A	131422200	PAD,SELF LVLG LEG ,REAR (S/P)
4A	131374220	HINGE BAR,RH (S/P)

Distribuidor Autorizado

SurteRápido.com

Venta de Refacciones
Electrodomesticas

SWX703AQ2 TINAS



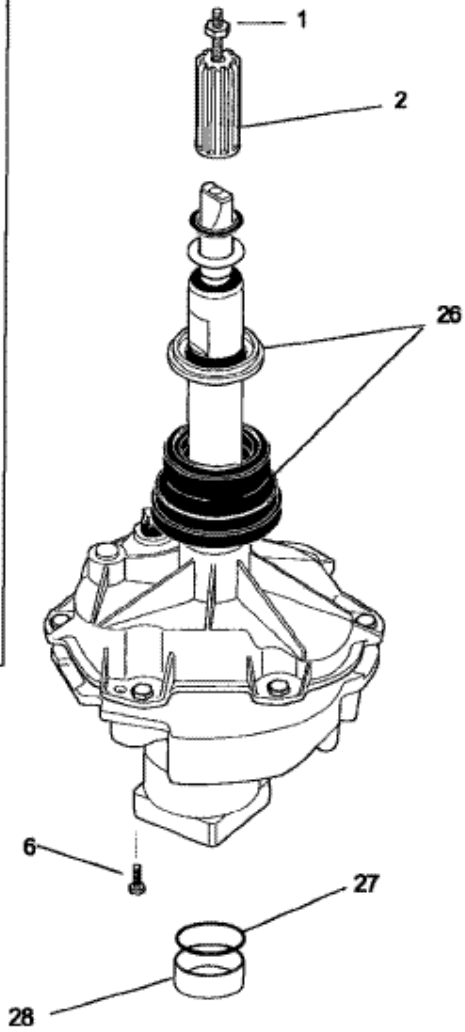
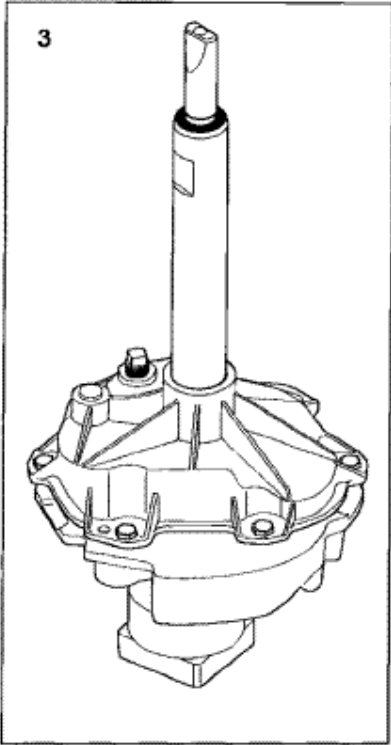


SWX703AQ2 TINAS

1	3204395	CAP,AGITATOR ,STANDARD,SLIM
2	3204396	SEAL,AGITATOR CAP
3	131398303	COVER,SPLASH TUB ,WITH SEAL
6	131279600	HOSE,INLET ,48 INCH LONG (S/P)
7	5303161296	WASHER,INLET HOSE (S/P)
9	5303304824	CLAMP,BLOWER WHEEL
10	131726300	HOSE ASSY,W/NOZZLE,CLAMP
12	131370400	TUB,SPIN ,W/LINT FILTER
13	5303283293	SCREW,TRUNION ,5/16-18 X 0.625 ,(5)
14	131192800	SCREW,LOCKPLATE ,5/16-18 X 1.625
15	5308001923	PLATE,LOCK
16	131545101	TRUNNION
18	131557201	TUB,SPLASH ,W/AIR DOME,BRG (S/P)
19	131205300	SCREW,10-16 X 0.750 (S/P)
20	3205150	SCREW,TUB BEARING ,8-12B X 0.750 (S/P)
21	5308002401	WASHER,SPIN BEARING ,UPPER
22	131373610	LEG & DOME ASSY
23	5303208858	SPRING,VERTICAL ,SHORT
24	131373900	SPRING,HORIZONTAL
25	3205405	DISPENSER-FABRIC
27	5303270023	SCREW,SET,HEX HD CUP ,5/16-18 X 0.85 (S/P)
33	3204425	SPRING,TORSIONAL
34	3204426	SLEEVE,IDLER PIVOT
35	3161433	RING,RETAINING
36	5303261031	WASHER,PIVOT SHAFT
37	5303161306	WASHER,SPRING TYPE
38	5303318708	NUT,HEX FLANGE ,MOTOR MOUNTING (S/P)
41	131513300	SHIELD,MOTOR ASSY ,W/SPEED NUTS (S/P)
45	134049200	HOSE,DRAIN
48	131306234	CLAMP,PUMP TO TRAP (S/P)
51	131659000	SCREW,LEG,HEX WSHR HD (S/P)
52	131315800	WASHER,LEG ,1.25 OD X 0.335 ,0.040 ID (S/P)
53	5300771996	TUBE-PRESSURE (S/P)

58	134160900	SCREW,QUADREX ,10-16AB X 0.750 (S/P)
60	5303304015	WASHER,0.21 X 0.71 ,0.06 THICK (S/P)
62	131258400	SCREW,10-16AB X 0.500 (S/P)
68	131707800	RING,DRAIN HOSE (S/P)
NI	131453000	BUSHING,SNAP-IN ,DRAIN HOSE (S/P)
F49	131494800	HOSE,PUMP TO TUB
NI	131506500	CLIP,DRAIN HOSE ,BACK SHEET ,(2) (S/P)
F40	134096200	DESCONTINUADO
F4	131212301	CAPACITOR,MOTOR (S/P)
F28	131686100	V-BELT,WASHER DRIVE ,STANDARD 4L
F43	134051200	PUMP,DRAIN
F26	3204405	BEARING,OUTER TUB
NI	131462500	CLIP,DRAIN HOSE ,BASE (S/P)
F29	131498300	PULLEY,XMSN DRIVE
NI	131663500	CUSHION,DRAIN HOSE ,BASE (S/P)
F30	131862900	IDLER ARM ASSY,VAW ,WITH PULLEY
NI	131901400	SEAL,SPLASH COVER
23A	5303208860	SPRING,VERTICAL
NI	5303309503	CLIP,DRAIN HOSE ,BACK SHEET (S/P)
F11	3204401	AGITATOR,STANDARD ,SLIM
NI	5303212877	INSERT,SPRING ADJUSTER ,VERTICAL
NI	5303283052	SPEED NUT,MOTOR SHIELD ,STEEL CLIP (S/P)

SWX703AQ2 TRANSMISION

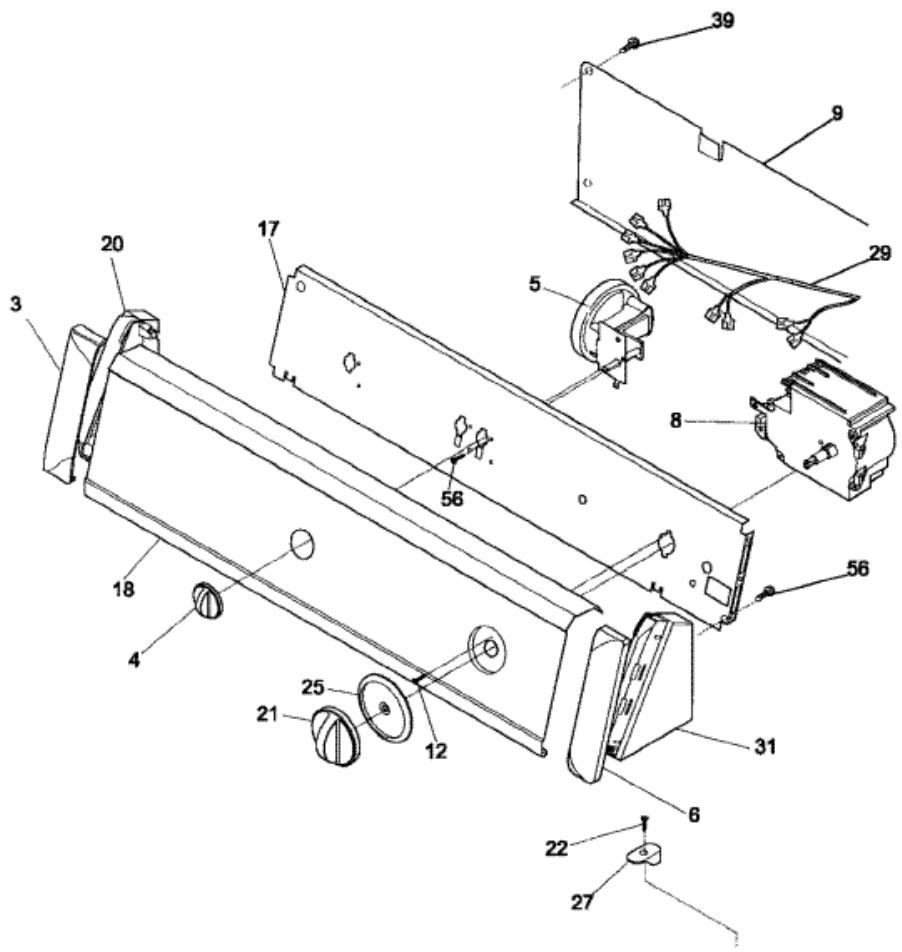




SWX703AQ2 TRANSMISION

1	131206800	STUD,AGITATOR CAP (S/P)
2	134418700	HUB,DRIVE ,AGITATOR
6	131346600	SCREW,HEX WASHER HEAD ,1/4-20T X 0.450 (S/P)
27	131784300	DESCONTINUADO
28	131784400	SPACER,BEARING BLOCK ,TRANSMISSION (S/P)
F3	134588800	TRANSMISSION ASSY,H-HELICAL GEAR
F26	5308950197	SEAL ASSY,TUB ,TRANSMISSION

SWX703AQ2 TABLERO





SWX703AQ2 TABLERO

3	131122613	COVER,END CAP ,BISQUE ,LH (S/P)
4	131141107	KNOB,ROTARY ,BISQUE/DK BROWN
5	134411600	SWITCH,PRESSURE ,3 POSITION
6	131122603	COVER,END CAP ,BISQUE ,RH (S/P)
9	134088700	PANEL,CONSOLE BACK (S/P)
12	131477001	SCREW,PAN HEAD ,10.16AB X 0.375 (S/P)
17	131580006	BRACKET,CONTROL MTG (S/P)
18	134075200	PANEL,TRIMPLATE ,BISQUE ,CONSOLE FRONT (S/P)
20	131122713	END CAP,BISQUE ,LH (S/P)
21	131592004	KNOB,TIMER ,BISQUE
22	131266300	SCREW,CR OVAL HEAD ,8-18AB X 1.250 (S/P)
25	131592104	DIAL,TIMER POINTER ,CLEAR/DK BROWN (S/P)
27	131197000	CLIP,CONSOLE MTG (S/P)
31	131122703	END CAP,BISQUE ,RH (S/P)
39	131205100	SCREW,NO.8 PAN HEAD (S/P)
56	131243800	SCREW,PAN HD LOCKING (S/P)
F8	131964100	TIMER,WASHER
F29	134129000	WIRING HARNESS,CONTROLS (S/P)