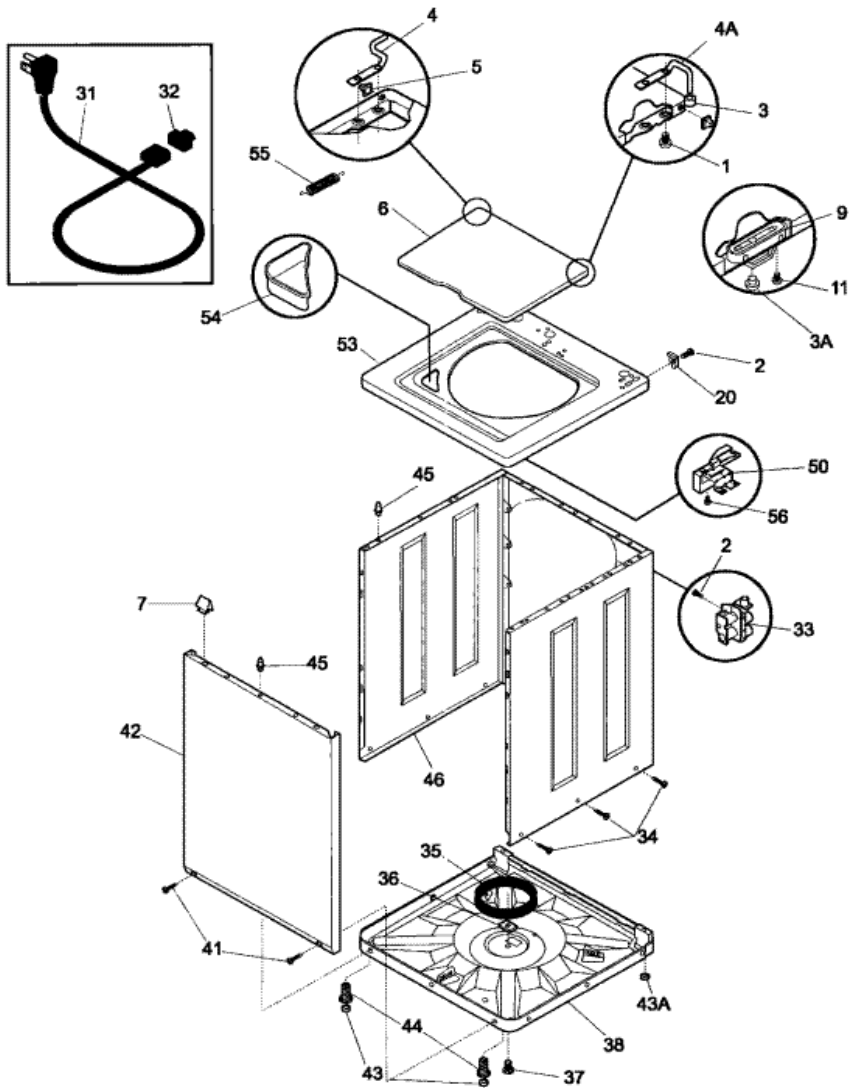


Distribuidor Autorizado

SurteRápido.com

Venta de Refacciones
Electrodomesticas

SWX703AS1 GABINETE





SWX703AS1 GABINETE

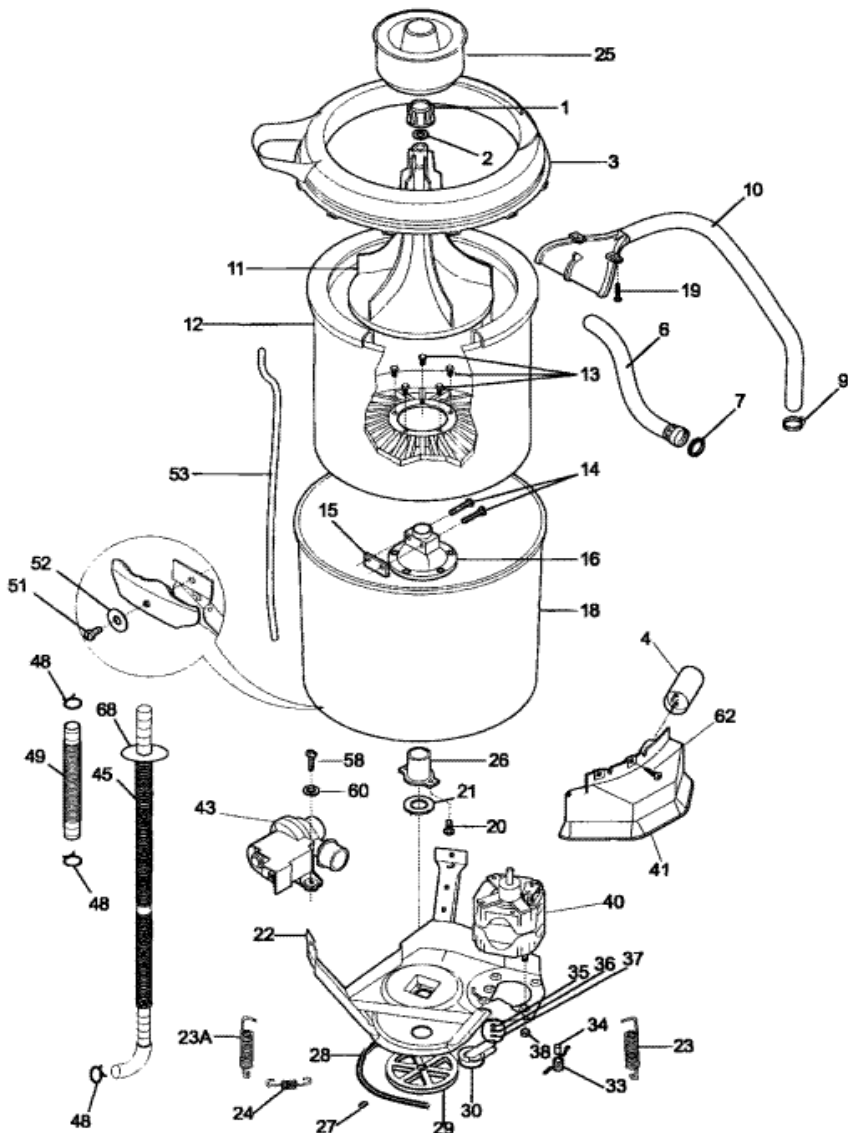
1	131587500	SCREW-HINGE,PPH (S/P)
2	1311682000	SCREW (S/P)
3	131433300	BUMPER-HINGE (S/P)
4	131385910	HINGE-BAR,LH (S/P)
5	5303208743	GROMMET-LID (S/P)
6	131374401	LID,WHITE ,W/O INST. (S/P)
7	3205821	CLIP-TOP PANEL,TO FRONT PANEL (S/P)
9	131390000	STRIKE-LID
11	3204368	SCREW-STRIKE,PFH B ,6-20X.375 (S/P)
20	5303208751	HINGE-REAR CABINET
31	134501000	CORD-SERVICE (S/P)
32	5303209428	BUSHING-CORD (S/P)
34	131205500	SCREW-BODY,1/4-14 X 0.625 (S/P)
35	5308002385	RING-SNUBBER
36	3204380	BLOCK-SHIPPING (S/P)
37	131658900	SCREW-SHIPPING (S/P)
38	5303311213	BASE ASSEMBLY (S/P)
41	131258400	SCREW-FRONT PNL (S/P)
42	131104303	PANEL-FRONT,WHITE (S/P)
43	131422100	PAD-LEVELING LEG
44	5303309673	LEG-LEVELING,WITH PAD
45	131346400	PIN-LOCATING (S/P)
46	134046600	ASMY-CABINET 3 PC-WHITE (S/P)
53	131452692	PANEL-TOP BLCH WHT FS WSHR (S/P)
54	5303208778	DISPENSER-BLEACH (S/P)
55	5303212876	SPRING-LID
56	131243800	SCREW-BRKT TOP, (S/P)
F33	134140200	VALVE-WATER (S/P)
3A	134075500	BUMPER-LID
4A	131374220	HINGE BAR R.H. (S/P)
43A	131422200	PAD-LEVEL LEG (S/P)
F50	134101800	LID LOCK W/EXTERNAL SW

Distribuidor Autorizado

SurteRápido.com

Venta de Refacciones
Electrodomesticas

SWX703AS1 TINA



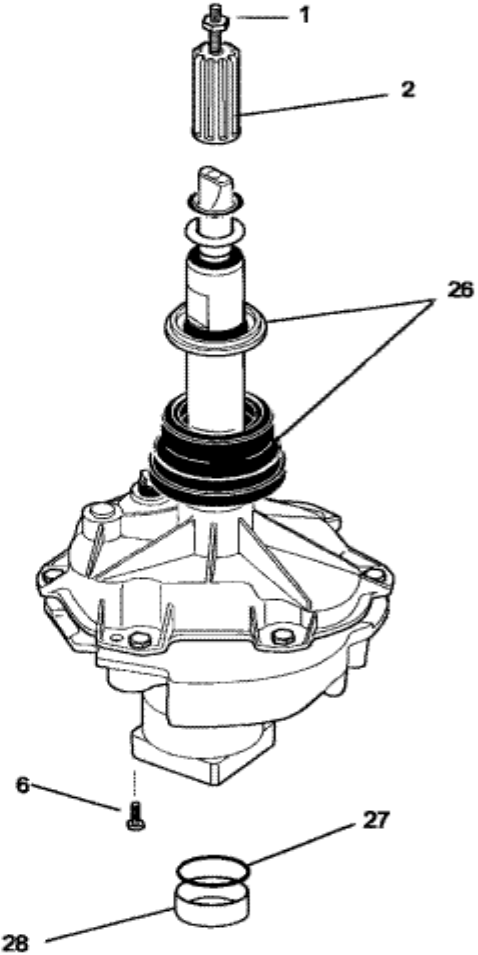
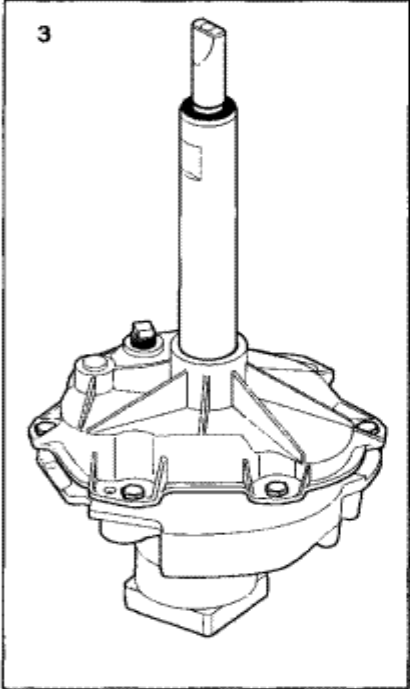


SWX703AS1 TINA

1	3204395	CAP-AGITATOR
2	3204396	SEAL-CAP
3	131398303	ASMY-SPLASH TUB COVER H
4	131212301	CAPACITOR (S/P)
6	131279600	HOSE-INLET (S/P)
7	5303161296	WASHER-INLET HOSE (S/P)
9	5303304824	CLAMP
10	131726300	HOSE,NOZZLE, & CLAMP
11	3204401	ASSY-AGITATOR-STANDARD-SLIM
12	131370400	TUB-SPIN,AND TRUNNION
13	5303283293	SCREW-TRUNNION,UNC2AX.625 ,.312-18 ,(5)
14	131192800	SCREW-LOCKPLATE,HX ,.312-18 X.1.625
15	5308001923	LOCK PLATE
16	131545101	TRUNNION
18	131557201	TUB-SPLASH,WAIR DOME,BRNG (S/P)
19	131205300	SCREW,10-16X.75 (S/P)
20	3205150	SCREW-TUB BEARING,PPH B ST/Z , (S/P)
21	5308002401	WASHER,SPIN BEARING ,UPPER
22	131373610	LEG & DOME ASSY
23	5303208858	SPRING-VERTICAL,SHORT
24	131373900	SPRING-HORIZONTAL
25	3205405	DISPENSER-FABRIC
26	3204405	BEARING-OUTER TUB
27	5303304825	SCREW-SET,HHD CUP PT , (S/P)
29	131498300	PULLEY-TRANSMISSION DRIVE
33	3204425	SPRING-TORSION
34	3204426	SLEEVE-IDLER
35	3161433	RING-RETAINING
36	5303261031	WASHER-PIVOT SHAFT
37	5303161306	WASHER-SPRING
38	5303318708	NUT-MOTOR (S/P)
41	131513300	SHIELD-MOTOR (S/P)
45	134049200	HOSE-DRAIN
48	131306234	CLAMP-PUMP (S/P)
51	131659000	SCREW-LEG,HWH TYP23 , (S/P)

52	3005891	WASHER-LEG,IDX.040 ,1.25 ODX.335 (S/P)
53	5300771996	TUBE-PRESSURE (S/P)
58	131303100	SCREW,HWHD AB ,10-16X.625 (S/P)
60	5303304015	WASHER .21X.71X.06 (S/P)
62	131258400	SCREW-FRONT PNL,COMB TH AB , (S/P)
68	131707800	RING-DRAIN HOSE (S/P)
F49	131494800	HOSE-PUMP TO TUB
F30	131862900	ASMY-VAW IDLER ARM
F28	131686100	BELT-WASHER
F43	134051200	PUMP-DRAIN-ASKOLL
F40	134096200	ASMY-MTR/PULLEY 1SP 3/4 HP-NOM
23A	5303208860	SPRING-VERTICAL

SWX703AS1 TRANSMISION

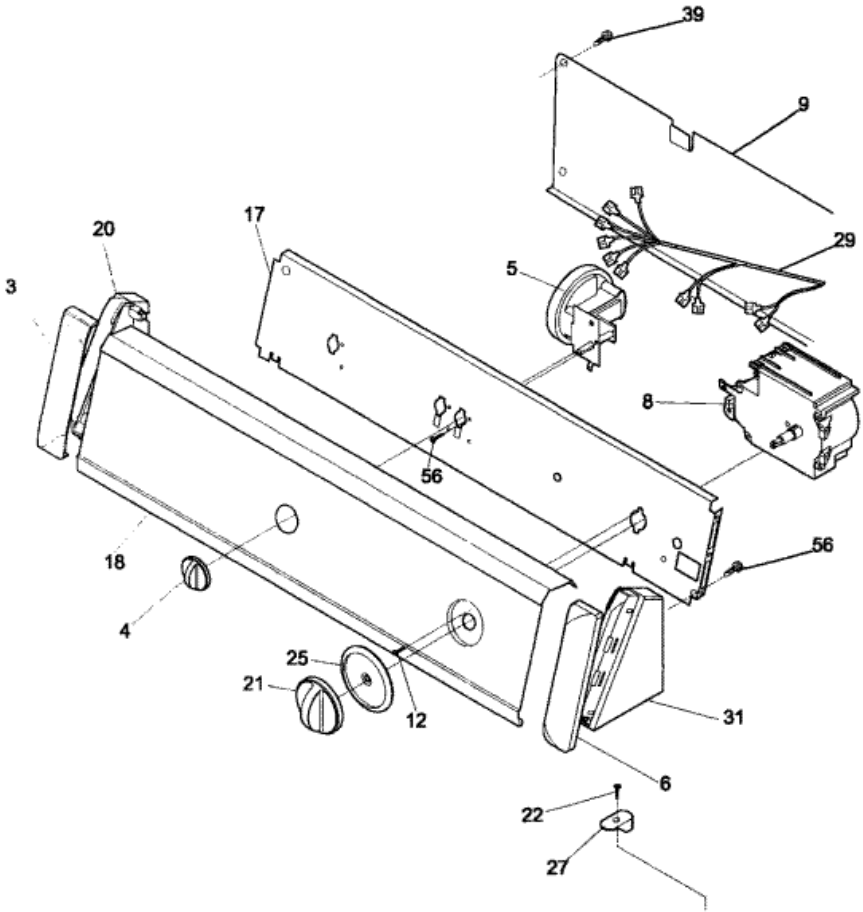




SWX703AS1 TRANSMISION

1	131206800	STUD-AGITATOR CAP (S/P)
2	134418700	HUB-DRIVE,AGITATOR
3	134588800	ASMY-TRANS H-HELICAL-PNT HSG
6	131346600	SCREW (S/P)
26	5308950197	SEAL-TUB
27	131784300	DESCONTINUADO
28	131784400	SPACER-TRANS BRG BLOCK-KOYO (S/P)

SWX703AS1 TABLERO





SWX703AS1 TABLERO

3	131122611	COVER-END CAP,WHITE ,LH (S/P)
4	131141105	KNOB-ROTARY,WHITE/GRAY
5	134411600	PRESSURE-SW 3POS-90-2.7-3/4 HP
6	131122601	COVER-END CAP,WHITE ,RH (S/P)
8	131964100	TIMER ELEC H MALLORY-DELTA
9	134088700	BACKSHEET-F CONSOLE (S/P)
12	131168200	SCREW,8-18 X 0.31 ,12 (S/P)
17	131580006	BRACKET-CONTROL (S/P)
18	134075000	TRIMPLATE WWA1HTNF (S/P)
20	131122711	END CAP,WHITE ,LH
21	131592001	KNOB-TIMER WHITE
22	131266300	SCREW-END CAP, (S/P)
25	131592103	DIAL-TIMER (S/P)
27	131197000	CLIP-CONTROL PANEL (S/P)
31	131122701	END CAP,WHITE ,RH
39	131205100	SCREW,NO.8 PAN HEAD , (S/P)
56	131243800	SCREW-BRKT TOP,PAN HD LOCKING (S/P)
F29	134129000	HARN A B & H MALLORY (S/P)