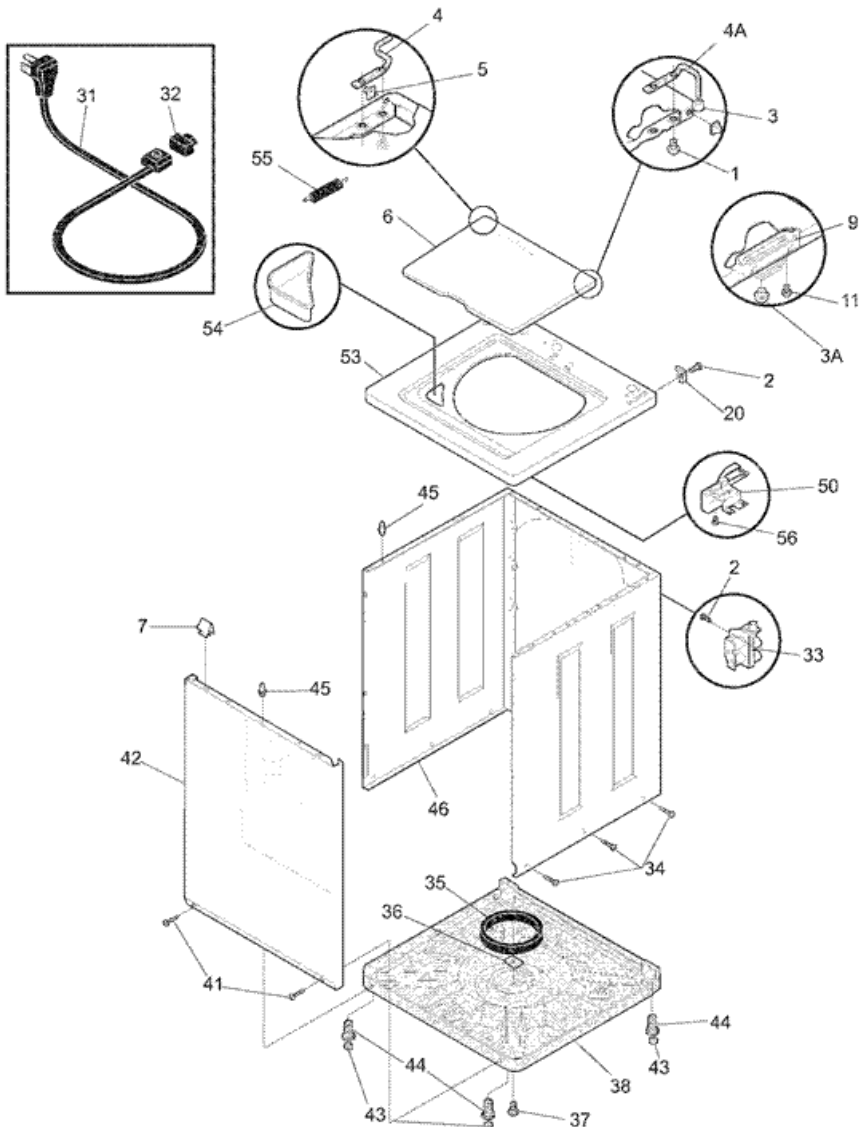


Distribuidor Autorizado

SurteRápido.com

Venta de Refacciones
Electrodomesticas

SWX703CS1 GABINETE





SWX703CS1 GABINETE

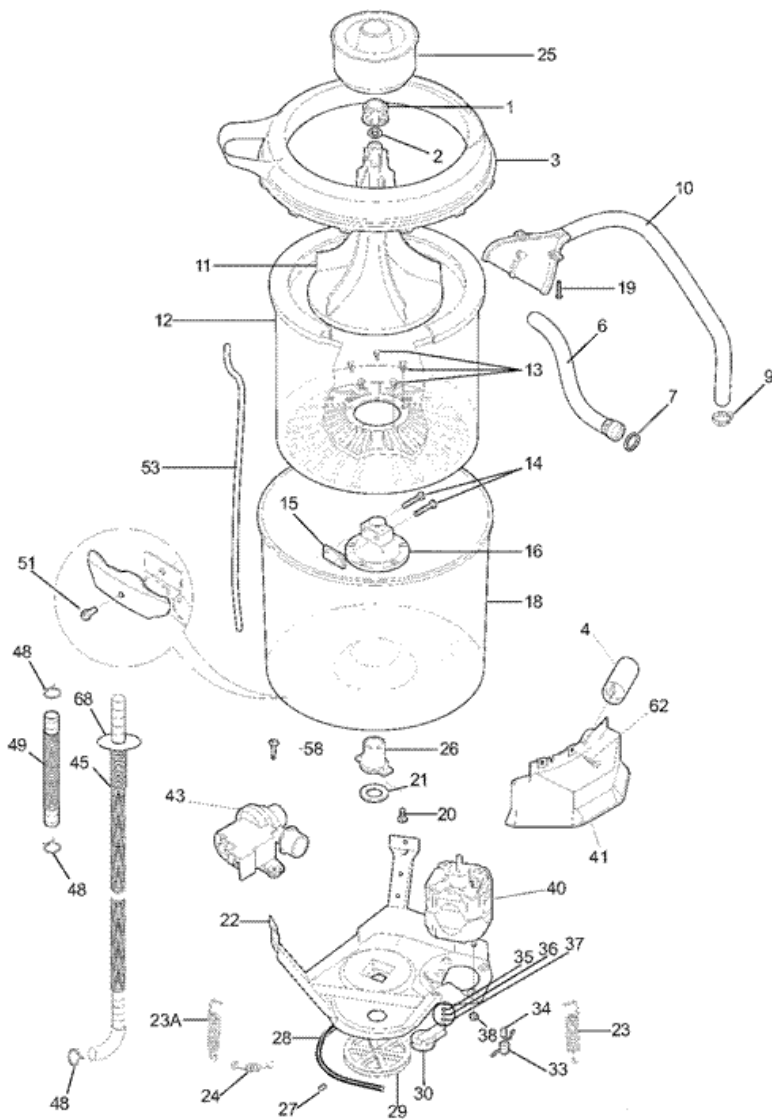
1	134203900	SCREW,PAN HD PHILLIPS ,6-32 X 0.337 (S/P)
2	131168200	SCREW,PAN HEAD ,8-18B X 0.31 (S/P)
3	131433300	BUMPER,LID HINGE (S/P)
4	131385910	HINGE BAR,LH (S/P)
5	5303208743	GROMMET,HINGE (S/P)
6	131374401	LID,WHITE (S/P)
7	3205821	CLIP, TOP-TO-FRONT (S/P)
9	131390000	LID STRIKE
11	3204368	SCREW,LID STRIKE MTG ,6-20B X 0.375 (S/P)
20	5303208751	HINGE, TOP PANEL ,CABINET REAR
32	5303209428	BUSHING,POWER CORD (S/P)
34	131205500	SCREW,CAB BODY ,1/4-14 X 0.625 (S/P)
35	5308002385	SNUBBER RING
36	3204380	SHIPPING BLOCK (S/P)
37	131658900	SCREW,SHIPPING ,1/4-20 X 1.001 (S/P)
38	134773500	BASE ASSEMBLY (S/P)
41	131258400	SCREW,10-16AB X 0.500 (S/P)
42	131104303	PANEL,FRONT ,WHITE (S/P)
43	131422100	PAD,LEVELING LEG ,FRONT
44	5303309673	SCREW,LEVELING LEG ,WITH PAD
45	131346400	PIN,PANEL LOCATOR (S/P)
46	134046600	CABINET ASSY,WHITE ,BACK AND SIDES (S/P)
53	131452692	PANEL,WHITE ,TOP (S/P)
54	5303208778	DISPENSER,BLEACH (S/P)
55	5303212876	SPRING,LID ASSIST
56	131243700	SCREW,PAN HEAD ,8-18AB X 0.375 (S/P)
56	131243800	SCREW,PAN HD LOCKING ,8-32CA X 0.375 (S/P)
4A	131374220	HINGE BAR,RH (S/P)
3A	134075500	BUMPER,LID ,FRONT
F50	134101800	LOCK,LID ,W/EXT SWITCH
F33	134190200	VALVE,WATER ,115 V
F31	134501000	POWER CORD,ELECTRIC SVCE (S/P)

Distribuidor Autorizado

SurteRápido.com

Venta de Refacciones
Electrodomesticas

SWX703CS1 TINAS



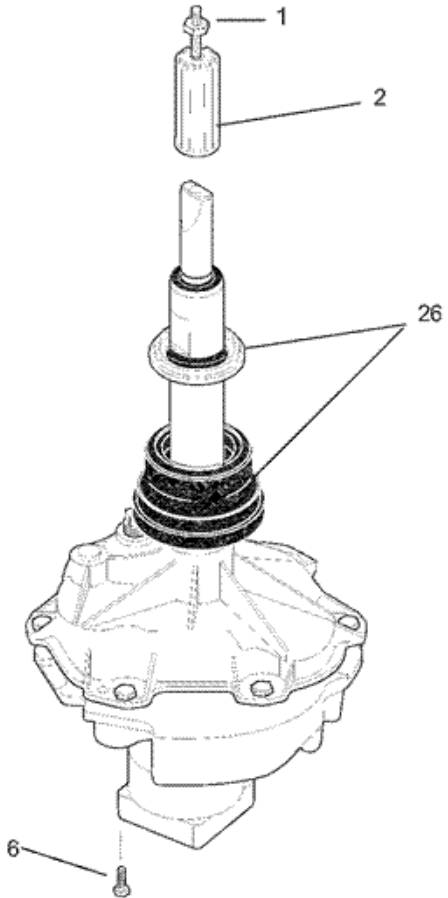
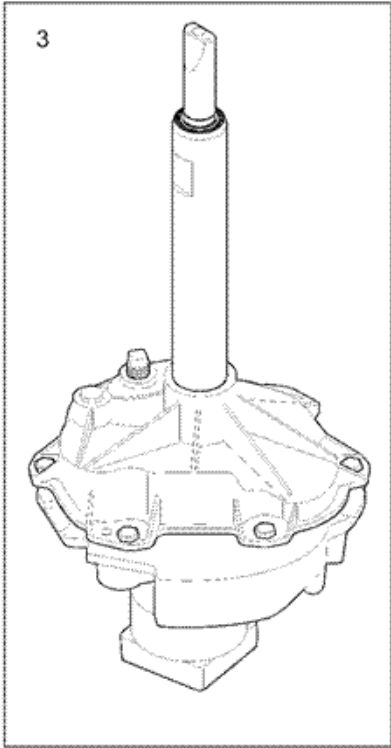


SWX703CS1 TINAS

1	3204395	CAP,AGITATOR ,STANDARD,SLIM
2	3204396	SEAL,AGITATOR CAP
3	131398303	COVER,SPLASH TUB ,WITH SEAL
6	131454100	HOSE,WATER INLET ,4 FT. ,HOSE & WASHER (S/P)
7	5303161296	WASHER,INLET HOSE (S/P)
9	5303304824	CLAMP
10	131726300	HOSE ASSY,W/NOZZLE
13	5303283293	SCREW,TRUNION ,5/16-18 X 0.625 ,(5)
14	131192800	SCREW,LOCKPLATE ,5/16-18 X 1.625
15	5308001923	PLATE,LOCK
16	131545101	TRUNNION
18	131557201	TUB,SPLASH ,W/AIR DOME,BRG (S/P)
19	131205300	SCREW,10-16 X 0.750 (S/P)
20	3205150	SCREW,TUB BEARING ,8-12B X 0.750 (S/P)
21	5308002401	WASHER,SPIN BEARING ,UPPER (S/P)
22	131373610	LEG & DOME ASSY
23	5303208858	SPRING,VERTICAL ,SHORT
24	131373900	SPRING,HORIZONTAL
25	3205405	DISPENSER,ADDITIVE
27	5303304825	SCREW,SET,HEX HD CUP ,5/16-18 X 0.85 (S/P)
33	3204425	SPRING,TORSIONAL
34	3204426	SLEEVE,IDLER PIVOT
35	3161433	RING,RETAINING
36	5303261031	WASHER,PIVOT SHAFT
37	5303161306	WASHER,SPRING TYPE
38	5303318708	NUT,HEX FLANGE ,MOTOR MOUNTING (S/P)
41	5303283052	· SPEED NUT,MOTOR SHIELD ,STEEL CLIP (S/P)
41	131513300	· SHIELD,MOTOR ASSY ,W/SPEED NUTS (S/P)
48	131306234	CLAMP,HOSE ,WIRE (S/P)
51	134164400	SCREW,HEX WASHER HEAD ,5/16-18 X 0.625 (S/P)
53	5300771996	TUBE,PRESSURE ,VINYL (S/P)
58	134160900	SCREW,WASHER HD ,10-16AB X 0.75 (S/P)
62	131258400	SCREW,10-16AB X 0.500 (S/P)

68	131707800	RING,DRAIN HOSE (S/P)
F41	131715801	SHIELD,MOTOR ASSY ,W/CAPACITOR,NUT (S/P)
F49	131494800	HOSE,PUMP TO TUB
F12	131370400	TUB,SPIN ,W/LINT FILTER
F4	131212301	CAPACITOR,MOTOR (S/P)
F29	131498300	PULLEY,XMSN DRIVE
NI	131663500	CUSHION,DRAIN HOSE ,BASE (S/P)
F30	131862900	IDLER ARM ASSY,VAW ,WITH PULLEY
NI	131901400	· SEAL,SPLASH COVER
F26	3204405	BEARING,OUTER TUB
F11	3204401	AGITATOR,STANDARD ,SLIM
NI	5303212877	INSERT,SPRING ADJUSTER ,VERTICAL
23A	5303208860	SPRING,VERTICAL
F40	134160700	MOTOR,3/4 HP,1 SPEED ,WITH PULLEY
F43	134051200	PUMP,DRAIN
NI	134745300	CLIP,DRAIN HOSE (S/P)
F45	134049200	HOSE,DRAIN
NI	131453000	BUSHING,SNAP-IN (S/P)
F28	131686100	V-BELT,WASHER DRIVE ,STANDARD 4L
NI	5303309503	CLIP,DRAIN HOSE ,BACK SHEET (S/P)

SWX703CS1 TRANSMISION

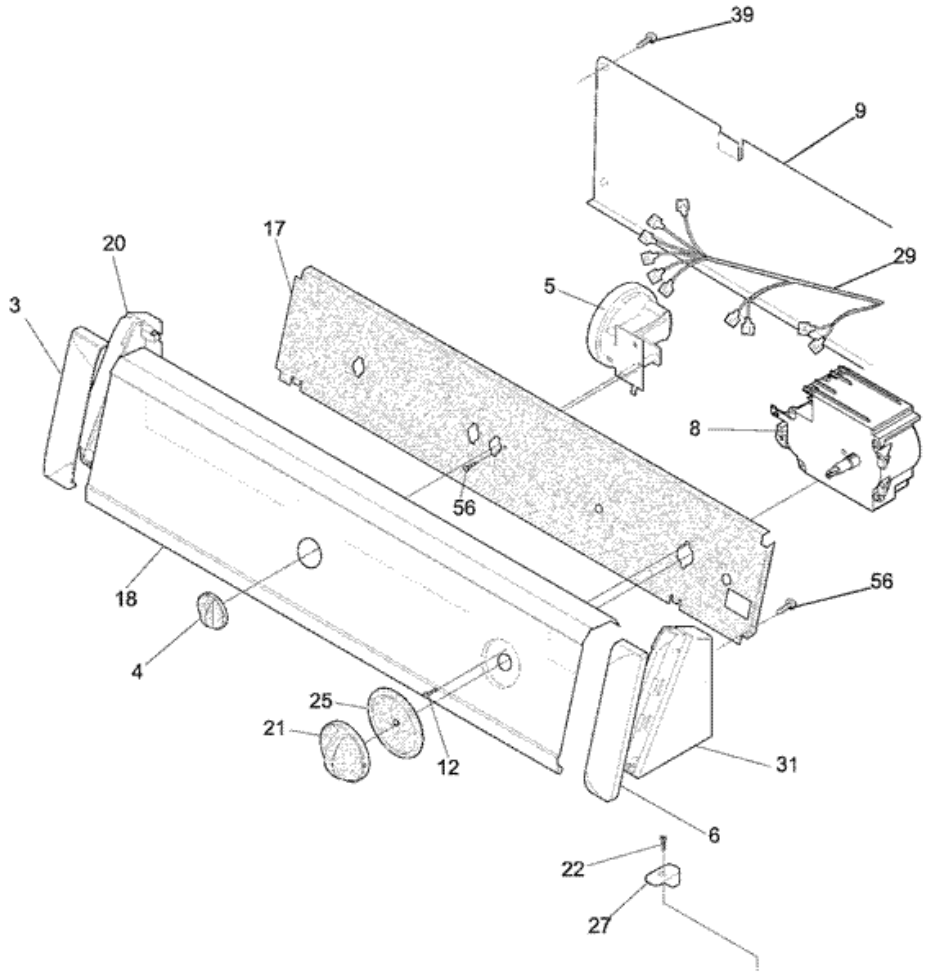




SWX703CS1 TRANSMISION

1	131206800	STUD,AGITATOR CAP (S/P)
6	134197900	SCREW,HEX WASHER HEAD ,1/4-20 X 0.437 (S/P)
F26	5308950197	SEAL ASSY,TUB ,TRANSMISSION
F2	134418700	HUB,DRIVE ,AGITATOR
F3	134588800	TRANSMISSION ASSY,H-HELICAL GEAR

SWX703CS1 TABLERO





SWX703CS1 TABLERO

3	131122611	COVER,END CAP ,WHITE ,LH (S/P)
4	131141105	KNOB,ROTARY ,WHITE/DK GRAY
5	134411600	SWITCH,PRESSURE ,3 POSITION
6	131122601	COVER,END CAP ,WHITE ,RH (S/P)
9	134088700	PANEL,CONSOLE BACK (S/P)
12	131477001	SCREW,PAN HEAD ,10-16AB X 0.375 (S/P)
17	134487900	BRACKET,CONTROL MTG (S/P)
18	134324800	PANEL,TRIMPLATE ,WHITE ,CONSOLE FRONT (S/P)
20	131122711	END CAP,WHITE ,LH
21	131592001	KNOB,TIMER ,WHITE
22	131266330	SCREW,8-18 X 1.250 (S/P)
25	131592105	POINTER,TIMER KNOB ,WHITE (S/P)
27	131197000	CLIP,CONSOLE MTG (S/P)
29	134545500	WIRING HARNESS,WASHER (S/P)
31	131122701	END CAP,WHITE ,RH
39	131205100	SCREW,NO.8 PAN HEAD ,10-10B X 0.500 (S/P)
56	131243800	SCREW,PAN HD LOCKING ,8-32CA X 0.375 (S/P)
F8	131964100	TIMER,WASHER