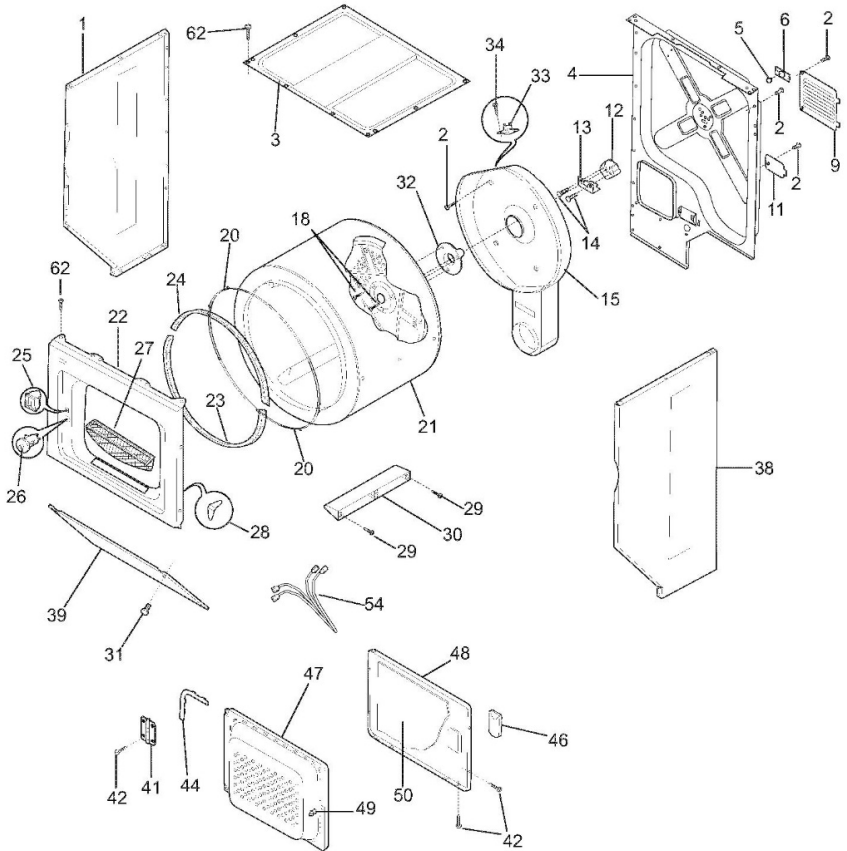


Centro de Lavado W.W. SWXG831DQ1

Publication No: 5995482659

SWXG831D

UPPER CABINET/DRUM HEATER



P17U0050



Centro de Lavado W.W. SWXG831DQ1

Guía	N.P.	Descripción
NI	131870700	PLUG-LIGHT HOLE
1	131084712	Panel,bisque ,left side
2	131168200	Screw,pan head ,8-18B x 0.31
3	131883301	Panel,top
4	134799902	Panel,rear ,steel ,galvanized
5	5303281019	Ball,grounding
6	5303281020	Clip,ball ,steel ,flat nut
9	3204249	Panel,motor access ,rear
11	5303207395	COVER-TERMINAL BLOCK
12	131825900	BEARING-DRUM SUPPORT
13	131724300	Bracket,bearing support
14	131205400	Screw,bracket mtg. ,10-16B x 1.375 ,cr/sq drive
15	5303207394	Housing,heater ,w/duct & seal
18	131477000	Screw,10-16AB x 0.375
20	137513300	GLIDE-DRUM
21	134122532	Drum,dryer ,galvanized stl. ,service kit
22	131636239	Panel,front ,bisque
23	5303937183	Seal,felt ,lower
24	5303937182	Seal,felt ,upper
25	131658800	Door Catch
26	131843100	Switch,door
27	5304516871	Lint Trap
28	5303281074	Clip,guide
29	131382300	Screw,quadrex head ,10-14 x 1.00 ,vane mtg.,special
30	137552900	Vane,straight
31	131202300	Screw,10-16AB x 0.625
32	131777700	Shaft,drum support ,ballhitch
33	5304406099	THERMOSTAT-SAFETY



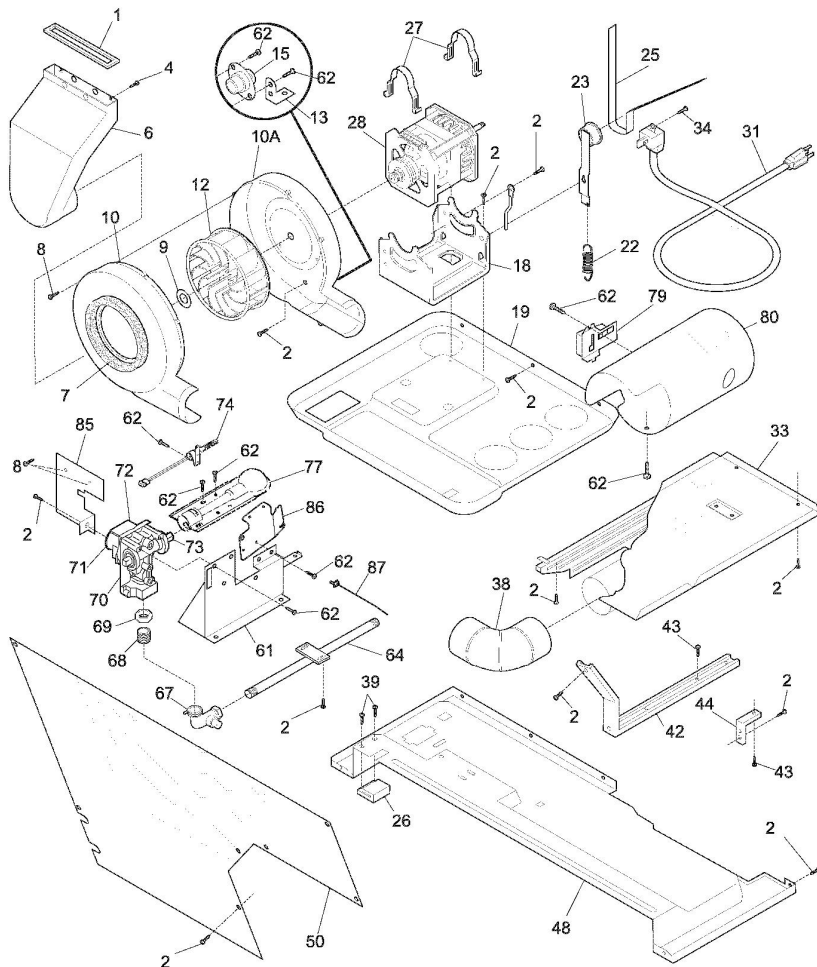
Centro de Lavado W.W. SWXG831DQ1

Guía	N.P.	Descripción
34	131243800	Screw,pan hd locking ,8-32CA x 0.375 ,cup point
38	131084812	Panel,bisque ,right side
39	131084404	Panel,access ,bisque ,front
41	134222900	HINGE,DRYER DOOR
42	134156200	Screw,flat head ,8-18AB x 0.44 ,quad drive
44	131129900	Gasket,door seal
46	131789402	Handle,door ,bisque
47	137365110	Panel,inner door ,white
48	131789305	Panel,outer door ,bisque
49	5303207102	DOOR STRIKE
50	134535300	Insulator,heat shield ,outer door
54	134846300	Wiring Harness,door switch
62	131302800	Screw,10-16AB x 0.500

Publication No: 5995482659

SWXG831D

MOTOR/BLOWER/BELT



P17B0048



Centro de Lavado W.W. SWXG831DQ1

Guía	N.P.	Descripción
NI	134169500	Gas Conversion Kit,LP to natural
1	131295200	SEAL-AIR DUCT
2	131168200	Screw,pan head ,8-18B x 0.31
4	131362400	Fastener,push-in
6	5304521121	Duct,air
7	3204490	SEAL-HOUSING TO AIR DUCT
8	3205245	Screw,pan head ,6-18AB x 0.60
9	5304488479	CLAMP
10	134611700	Housing,blower ,front ,with seal
10A	137551800	Housing,blower ,rear
12	131476300	Blower Wheel
13	134608400	Ground Strap,thermostat
15	134721400	Thermostat,temp control
18	131413600	Cradle,motor mount ,with idler stud
19	134613501	Panel,motor cradle mt ,upper
22	3205241	SPRING-IDLER
23	131863100	Idler Arm Assy,with pulley
25	137292700	Belt,dryer drive
26	5303212870	Block,support ,bottom panel
27	134242400	Clamp,motor mtg.
28	134196602	Motor,dryer drive ,with pulley
31	134500500	Power Cord,electric svce
33	131731410	Shield,access area ,cover
34	134154100	Screw,hex washer head ,10-32 x 0.375 ,ground
38	5304500508	Elbow,exhaust duct
39	131205100	Screw,No.8 pan head ,10-10B x 0.500 ,cr/sq drive
42	5304439185	Bracket,marriage ,interior
43	131751500	Screw,hex head ,12-24T 0.63



Centro de Lavado W.W. SWXG831DQ1

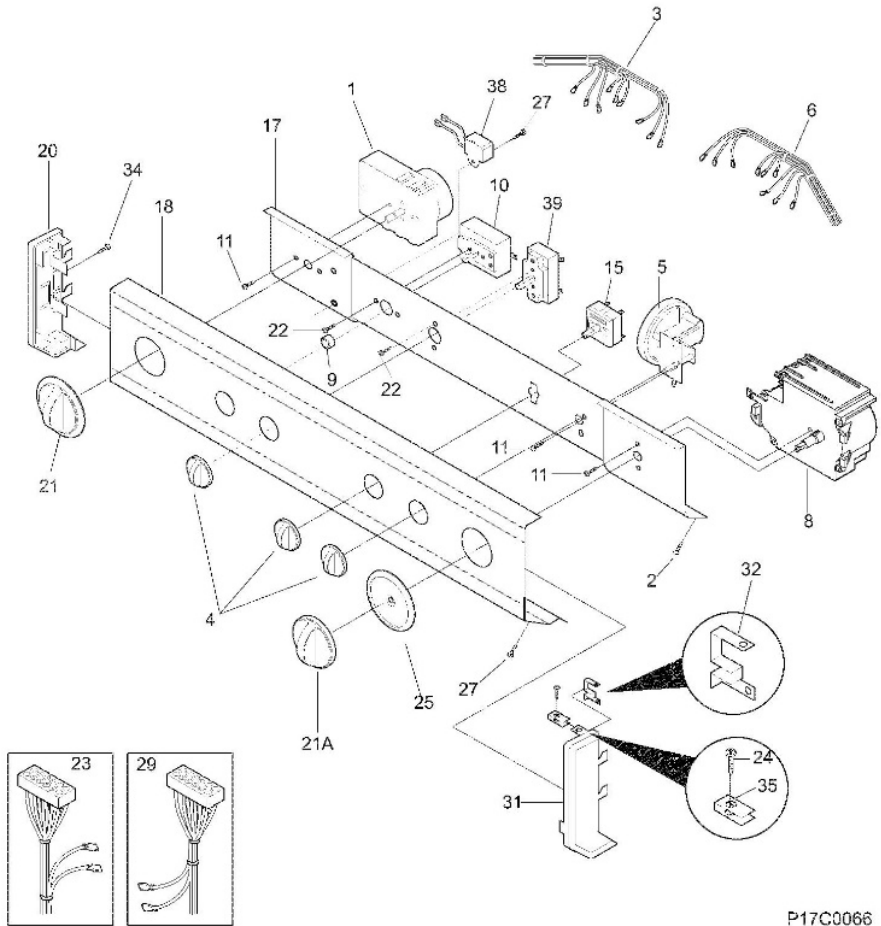
Guía	N.P.	Descripción
44	3204326	Bracket,L mounting ,cabinet rear ,external
48	137455500	Panel,dryer ,bottom rear
50	3204329	Cover,safety ,lower front
61	5303309493	Bracket,gas valve mtg
62	215822000	Screw, pan head, 8-18AB x 0.375
64	5303207405	Pipe,gas
67	131498500	Valve,gas shutoff
68	134185100	Tail Piece,coupling
69	5308015194	Union,hex nut
70	134169200	Valve,LP gas
71	5303931775	Solenoid,secondary coil
72	5303931775	Solenoid,booster coil
73	5303207410	Orifice,natural gas ,size 44
74	5304517325	Igniter Assy
77	134216600	Burner Assy
79	5303281135	Sensor,radiant
80	131712401	TUBE-BURNER
85	134287301	Shield,heat
86	134264800	Plate,adapter
87	131964400	Cable Tie,push mount ,5.20 inch

Centro de Lavado W.W. SWXG831DQ1

Publication No: 5995482659

SWXG831D

CONTROL PANEL



P17C0066



Centro de Lavado W.W. SWXG831DQ1

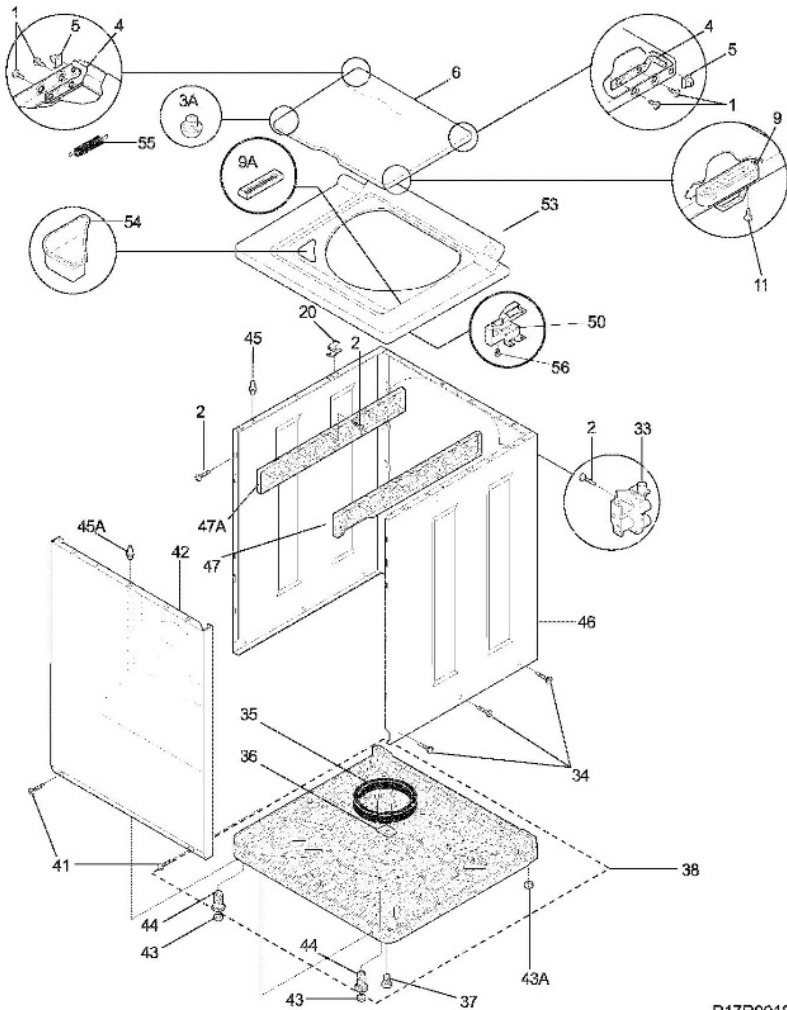
Guía	N.P.	Descripción
1	5303297139	TIMER-DRYER
2	131168200	Screw,pan head ,8-18B x 0.31
3	134066100	Wiring Harness,dryer control
4	131873405	Knob,rotary ,bisque
5	134422700	Switch,presure ,3 position ,3/4 hp
6	134542500	Wiring Harness,washer control ,w/temp switch
8	131758600	TIMER-WASHER
9	131111506	Button,start switch ,bisque ,push type
10	131628900	SWITCH-PUSH START
11	218359202	Screw,cr pan head `8-32 x 0.250 ,thread forming
15	134410100	Switch,temperature ,3 position
17	134263400	Bracket,control mount
18	134417100	Panel,trimplate ,bisque ,console front
20	131288104	End Cap,bisque ,LH
21	131873305	Knob,dryer timer ,bisque
21A	131977204	Knob,washer timer ,bisque
22	131311700	Screw,pan head quad ,8-32 x 0.15
23	134605800	Wiring Harness,main
24	134156200	Screw,flat head ,8-18AB x 0.44 ,quad drive
25	131976805	Indicator,timer pointer ,bisque/dk brown,washer
27	131892100	Screw,6-20B x 0.230
29	134689400	Wiring Harness,washer ,2spd
31	131288214	End Cap,bisque ,RH ,without cut out
32	3204357	CLIP-GROUNDING
34	215822000	Screw, pan head, 8-18AB x 0.375
35	131063700	Clip,end cap mtg ,U-type
38	5303286537	BUZZER
39	134400000	Switch,rotary ,2 position

Centro de Lavado W.W. SWXG831DQ1

Publication No: 5995482659

SWXG831D

LOWER CABINET/TOP



P17R0019



Centro de Lavado W.W. SWXG831DQ1

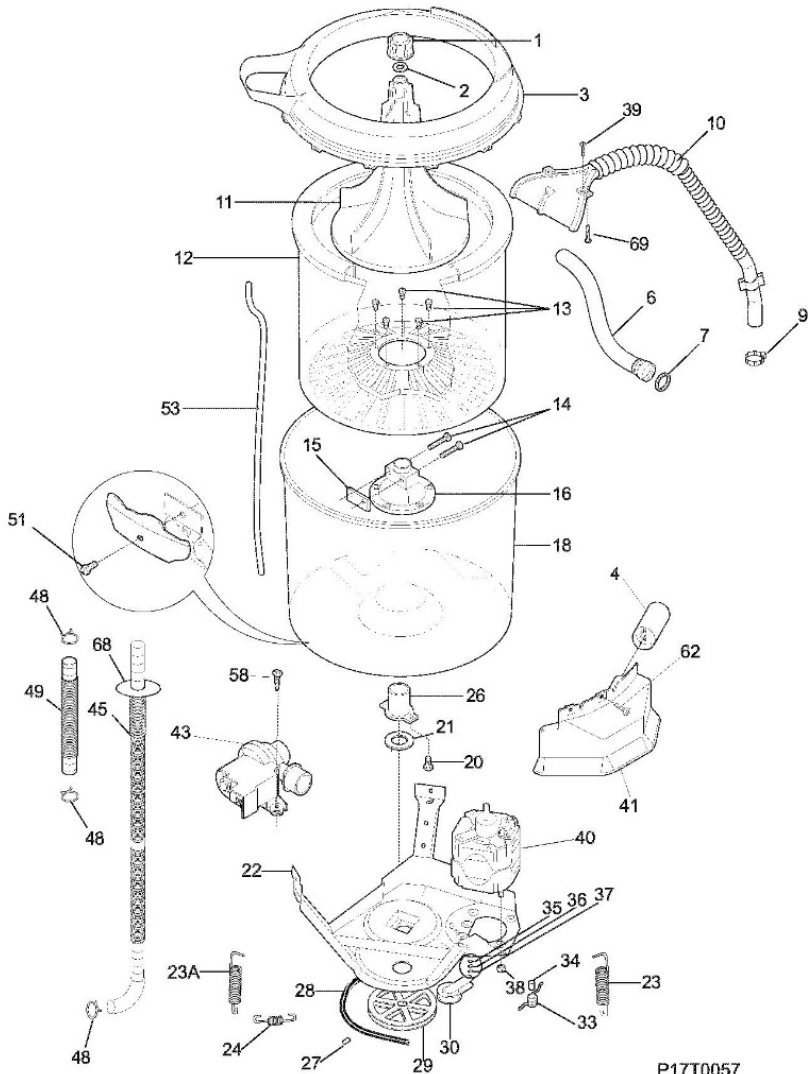
Guía	N.P.	Descripción
3A	134075500	Bumper,lid ,front
4	5304489657	HINGE BAR
5	5303208743	Grommet,hinge
6	5304417765	Lid,washer ,bisque
9	131390000	Lid Strike
9A	134768500	Insert,striker plate ,lid slot
11	3204368	Screw,lid strike mtg ,6-20B X 0.375
20	3204374	Pin,slide ,side to top
33	134190200	Valve,water ,115 V
34	131205500	Screw,cab body ,1/4-14 x 0.625 ,side-to-base
35	5308002385	SNUBBER RING
36	3204380	SHIPPING BLOCK
37	131658900	Screw,shipping ,1/4-20 x 1.001
38	5303311213	BASE ASSEMBLY
41	131302800	Screw,10-16AB x 0.500
42	131104306	Panel,front ,bisque
43	131422100	PAD-LEVELING LEG
43A	131422200	Pad,self lvlg leg ,rear
44	134548800	Screw,leveling leg ,with pad
45	131346400	Pin,panel locator
45A	131346401	Pin,panel locator ,front
46	134046603	Cabinet Assy,bisque ,back and sides
47	131106701	BRACKET-MARRIAGE-RH
47A	131091001	BRACKET-MARRIAGE-LH
50	134101800	Lock,lid ,w/ext switch
53	134136100	Panel,washer top ,bisque
54	3204394	DISPENSER-BLEACH
55	134890500	Spring,lid assist

Centro de Lavado W.W. SWXG831DQ1

Publication No: 5995482659

SWXG831D

MOTOR/TUB



P17T0057



Centro de Lavado W.W. SWXG831DQ1

Guía	N.P.	Descripción
NI	131453000	Bushing,snap-in
NI	131663500	Cushion,drain hose ,base
NI	131901400	· Seal,splash cover
NI	134261300	Clip,drain hose ,push-mount
NI	134745300	Clip,drain hose
NI	5303212877	Insert,spring adjuster ,vertical
NI	5303309503	Clip,drain hose ,back sheet
1	3204395	Cap,agitator ,standard,slim
2	3204396	SEAL-AGITATOR CAP
3	131398303	Cover,splash tub ,with seal
4	131212301	Capacitor,motor
6	131454100	Hose,water inlet ,4 ft. ,hose & washer
7	5303161296	WASHER-INLET HOSE
9	5304488479	CLAMP
11	3204401	Agitator,standard ,slim
12	131090400	Tub,spin ,w/lint filter
13	137546400	Screw,trunion ,5/16-18 x 0.625 ,(5)
14	137539500	Screw,lockplate ,5/16-18 x 1.625
15	137107000	Plate,lock
16	131545101	TRUNNION
18	131557201	Tub,splash ,w/air dome,brg
20	3205150	Screw,tub bearing ,8-12B x 0.750
21	5308002401	WASHER, SPIN BEARING, UPPER
22	131373610	LEG & DOME ASSY
23	134886600	SPRING-VERTICAL (SHORT)
23A	134885900	SPRING-VERTICAL
24	131373900	SPRING-HORIZONTAL
26	3204405	BEARING-OUTER TUB



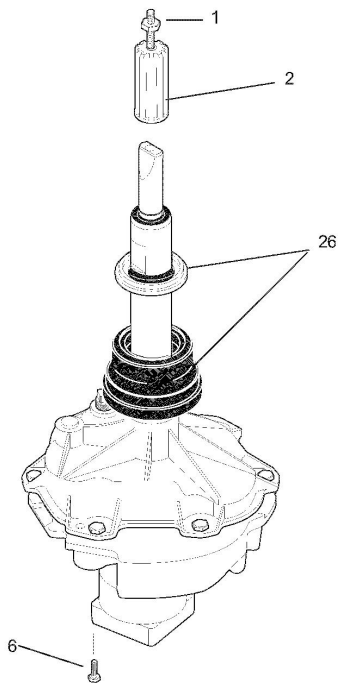
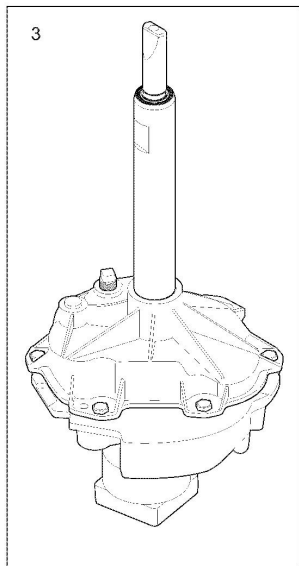
Centro de Lavado W.W. SWXG831DQ1

Guía	N.P.	Descripción
27	5303270023	Screw,set,hex hd cup ,5/16-18 x 0.85
28	134511600	V-Belt,washer drive ,standard 4L
29	131498301	Pulley,xmsn drive
30	131862900	Idler Arm Assy,VAW ,with pulley
33	3204425	Spring,torsional
34	3204426	SLEEVE-IDLER PIVOT
35	3161433	RING-RETAINING
36	5303261031	WASHER-PIVOT SHAFT
37	5303161306	Washer,spring type
38	5303318708	Nut,hex flange ,motor mounting
39	131205100	Screw,No.8 pan head ,10-10B x 0.500 ,cr/sq drive
40	134160700	Motor,3/4 hp,1 speed ,with pulley
41	131513300	Shield,motor assy ,w/speed nuts
43	137221600	Pump,drain
45	134592700	Hose,drain
48	131306234	Clamp,hose ,wire
49	131494800	HOSE-PUMP TO TUB
51	134164400	Screw,hex washer head ,5/16-18 x 0.625
53	5304401845	Tube,pressure ,vinyl
58	134160900	Screw,washer hd ,10-16AB X 0.75
62	131302800	Screw,10-16AB x 0.500
68	131707800	RING-DRAIN HOSE
69	131731500	FASTENER-RATCHET

Publication No: 5995482659

SWXG831D

TRANSMISSION



P17M0016



Centro de Lavado W.W. SWXG831DQ1

Guía	N.P.	Descripción
1	131206800	STUD-AGITATOR CAP
2	134418700	Hub,drive ,agitator
3	134735700	Transmission,service kit
6	134197900	Screw,hex washer head ,1/4-20 x 0.437
26	5303279394	Seal Assy,tub ,transmission