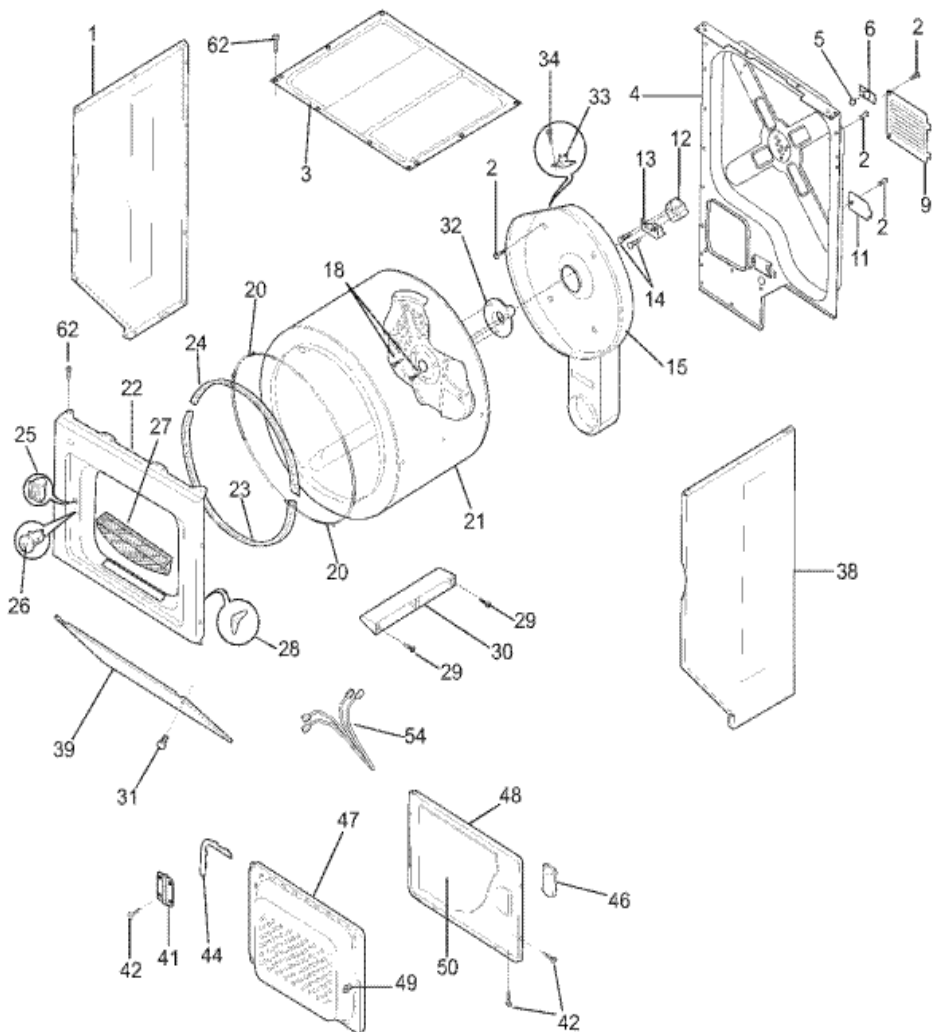


Distribuidor Autorizado

SurteRápido.com

Venta de Refacciones
Electrodomesticas

SWXG831DS1 TAMBOR





SWXG831DS1 TAMBOR

1	131084710	PANEL,WHITE ,LEFT SIDE (S/P)
2	131168200	SCREW,PAN HEAD ,8-18B X 0.31 (S/P)
3	131883301	PANEL,TOP (S/P)
4	134799902	PANEL,REAR ,STEEL ,GALVANIZED (S/P)
5	5303281019	BALL,GROUNDING (S/P)
6	5303281020	CLIP,BALL ,STEEL ,FLAT NUT (S/P)
9	3204249	PANEL,MOTOR ACCESS ,REAR (S/P)
11	5303207395	DESCONTINUADO
12	131825900	BEARING,DRUM SUPPORT
13	131724300	BRACKET,BEARING SUPPORT (S/P)
14	131205400	SCREW,BRACKET MTG. (S/P)
15	5303207394	HOUSING,HEATER ,W/DUCT & SEAL (S/P)
18	131477000	SCREW,10-16AB X 0.375 (S/P)
20	131963900	GLIDE,DRUM
22	131636237	PANEL,FRONT ,WHITE (S/P)
23	5303937183	SEAL,FELT ,LOWER
24	5303937182	SEAL,FELT ,UPPER
25	131658800	DOOR CATCH (S/P)
27	131359600	LINT TRAP
28	5303281074	CLIP,GUIDE
29	131382300	SCREW,QUADREX HEAD (S/P)
30	5303201200	VANE,STRAIGHT
31	131202300	SCREW,10-16AB X 0.625 (S/P)
32	5303281153	SHAFT,DRUM SUPPORT ,BALLHITCH
34	131243800	SCREW,PAN HD LOCKING (S/P)
38	131084810	PANEL,WHITE ,RIGHT SIDE (S/P)
39	131084402	PANEL,ACCESS ,WHITE ,FRONT (S/P)
41	134222900	HINGE,DRYER DOOR (S/P)
42	134156200	SCREW,FLAT HEAD (S/P)
44	131129900	GASKET,DOOR SEAL
46	131789400	HANDLE,DOOR ,WHITE (S/P)
47	131579103	PANEL,INNER DOOR ,WHITE (S/P)
48	131789303	PANEL,OUTER DOOR ,WHITE (S/P)

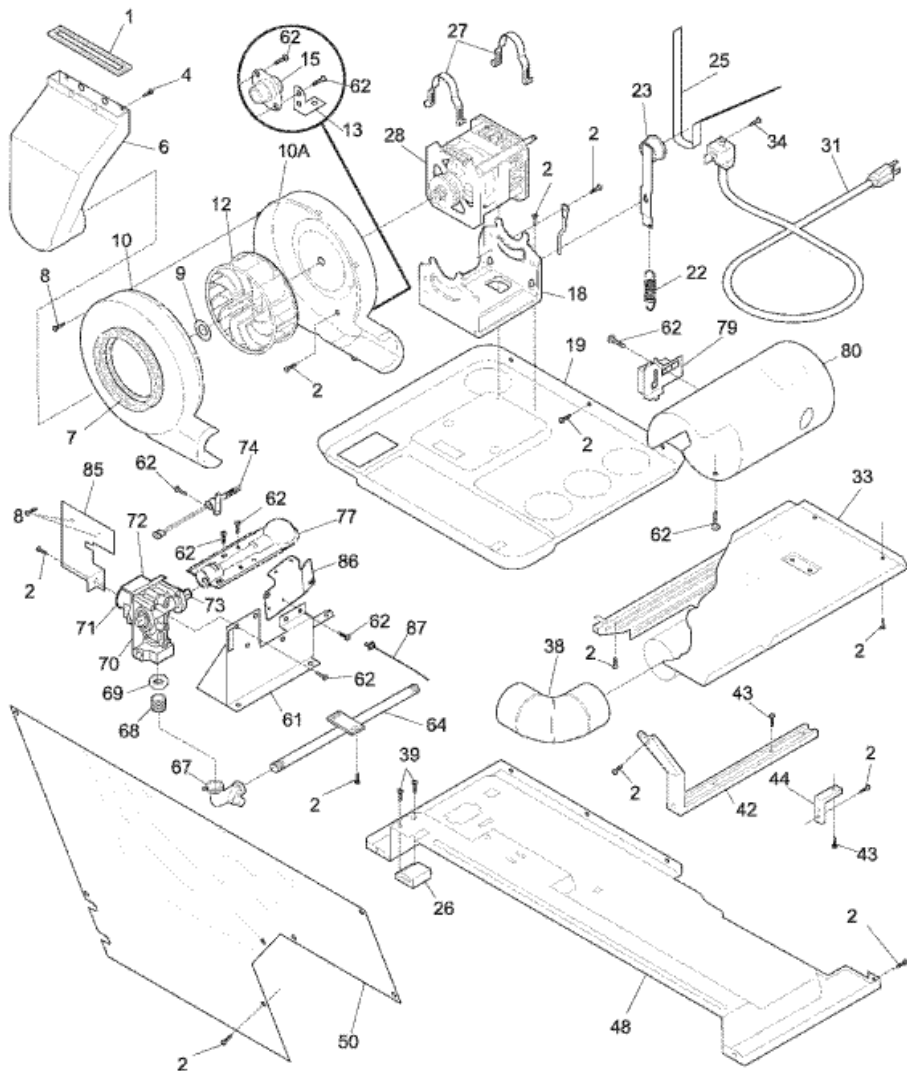
49	5303211415	DESCONTINUADO
50	134535300	INSULATOR,HEAT SHIELD ,OUTER DOOR (S/P)
62	131258400	SCREW,10-16AB X 0.500 (S/P)
F21	134122532	DRUM,DRYER ,GALVANIZED STL. ,SERVICE KIT (S/P)
F26	131843100	SWITCH,DOOR
F33	5304406099	THERMOSTAT,SAFETY
F54	134846300	WIRING HARNESS,DOOR SWITCH (S/P)

Distribuidor Autorizado

SurteRápido.com

Venta de Refacciones
Electrodomesticas

SWXG831DS1 TURBINA





SWXG831DS1 TURBINA

1	131295200	SEAL,AIR DUCT (S/P)
2	131168200	SCREW,PAN HEAD ,8-18B X 0.31 (S/P)
4	131362400	FASTENER,PUSH-IN (S/P)
6	134086300	DUCT,AIR
7	3204490	SEAL,HOUSING ,TO AIR DUCT (S/P)
8	3205245	SCREW,PAN HEAD ,6-18AB X 0.60 (S/P)
9	5303304824	CLAMP
10	134611700	HOUSING,BLOWER ,FRONT ,WITH SEAL (S/P)
12	131476300	BLOWER WHEEL (S/P)
13	134608400	GROUND STRAP,THERMOSTAT
18	131413600	CRADLE,MOTOR MOUNT ,WITH IDLER STUD (S/P)
19	134613501	PANEL,MOTOR CRADLE MT ,UPPER (S/P)
22	3205241	SPRING,IDLER (S/P)
23	131623300	IDLER ARM ASSY,WITH PULLEY
26	5303212870	BLOCK,SUPPORT ,BOTTOM PANEL (S/P)
27	134242400	CLAMP,MOTOR MTG. (S/P)
33	131731410	SHIELD,ACCESS AREA ,COVER (S/P)
34	134154100	SCREW,HEX WASHER HEAD , (S/P)
38	3204320	ELBOW,EXHAUST DUCT (S/P)
39	131205100	SCREW,NO.8 PAN HEAD , (S/P)
42	5304439185	BRACKET,MARRIAGE ,INTERIOR (S/P)
43	131751500	SCREW,HEX HEAD ,12-24T 0.63 (S/P)
44	3204326	BRACKET,L MOUNTING ,CABINET REAR , (S/P)
48	131731310	PANEL,DRYER ,BOTTOM REAR (S/P)
50	3204329	COVER,SAFETY ,LOWER FRONT (S/P)
61	5303309493	BRACKET,GAS VALVE MTG (S/P)
62	131243700	SCREW,PAN HEAD ,8-18AB X 0.375 (S/P)
64	134145200	DESCONTINUADO
85	134287300	SHIELD,HEAT (S/P)
86	134264800	PLATE,ADAPTER (S/P)
87	131964400	CABLE TIE,PUSH MOUNT ,5.20 INCH (S/P)
F70	134169200	VALVE,LP GAS (S/P)
F67	131498500	VALVE,GAS SHUTOFF (S/P)

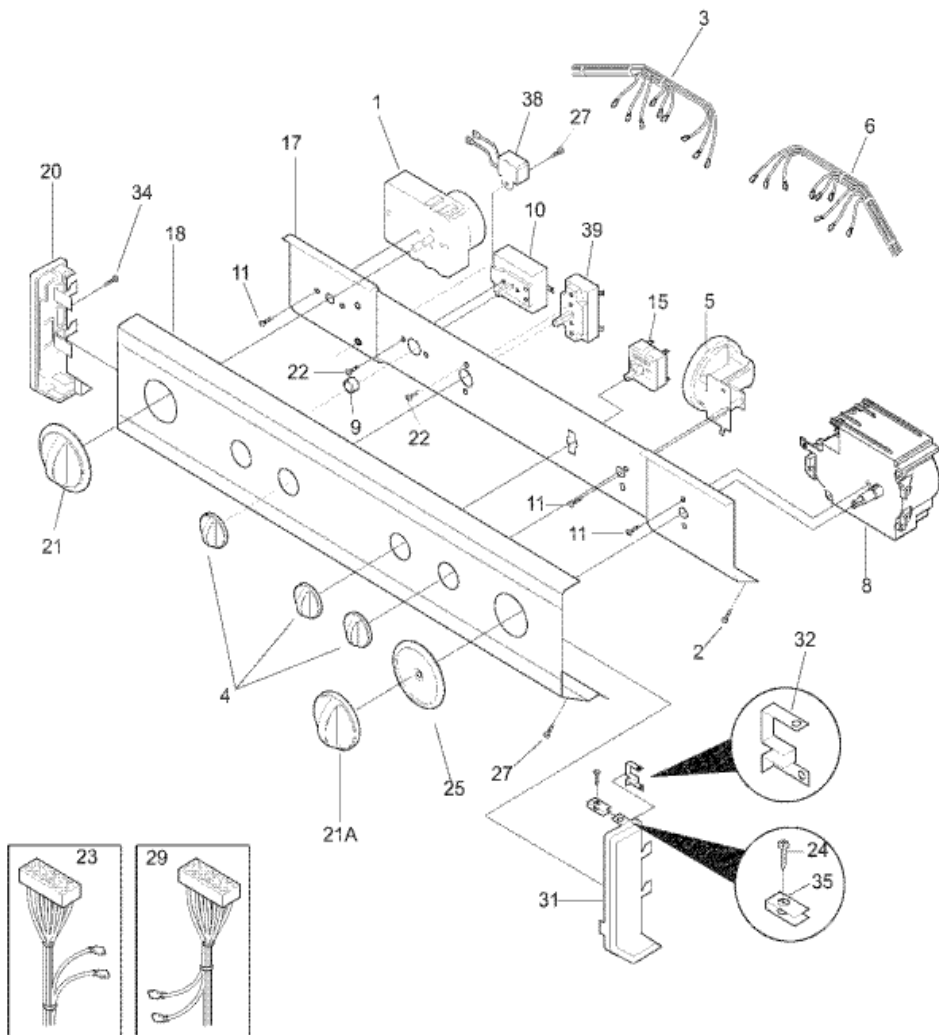
F68	134185100	TAIL PIECE,COUPLING (S/P)
F28	134196600	MOTOR,DRYER DRIVE ,WITH PULLEY
F77	134216600	BURNER ASSY (S/P)
F80	131712401	TUBE,BURNER (S/P)
F74	134393700	IGNITER ASSY (S/P)
F31	134500500	POWER CORD,ELECTRIC SVCE (S/P)
F72	5303931775	SOLENOID,BOOSTER COIL
F69	5308015194	UNION,HEX NUT
F79	5303281135	SENSOR,RADIANT (S/P)
F71	5303931775	SOLENOID,SECONDARY COIL
F73	5303207410	ORIFICE,NATURAL GAS ,SIZE 44 (S/P)
10A	134608200	HOUSING,BLOWER ,REAR (S/P)
F25	134503900	BELT,DRYER DRIVE
F15	134721400	THERMOSTAT,TEMP CONTROL (S/P)

Distribuidor Autorizado

SurteRápido.com

Venta de Refacciones
Electrodomesticas

SWXG831DS1 TABLERO





SWXG831DS1 TABLERO

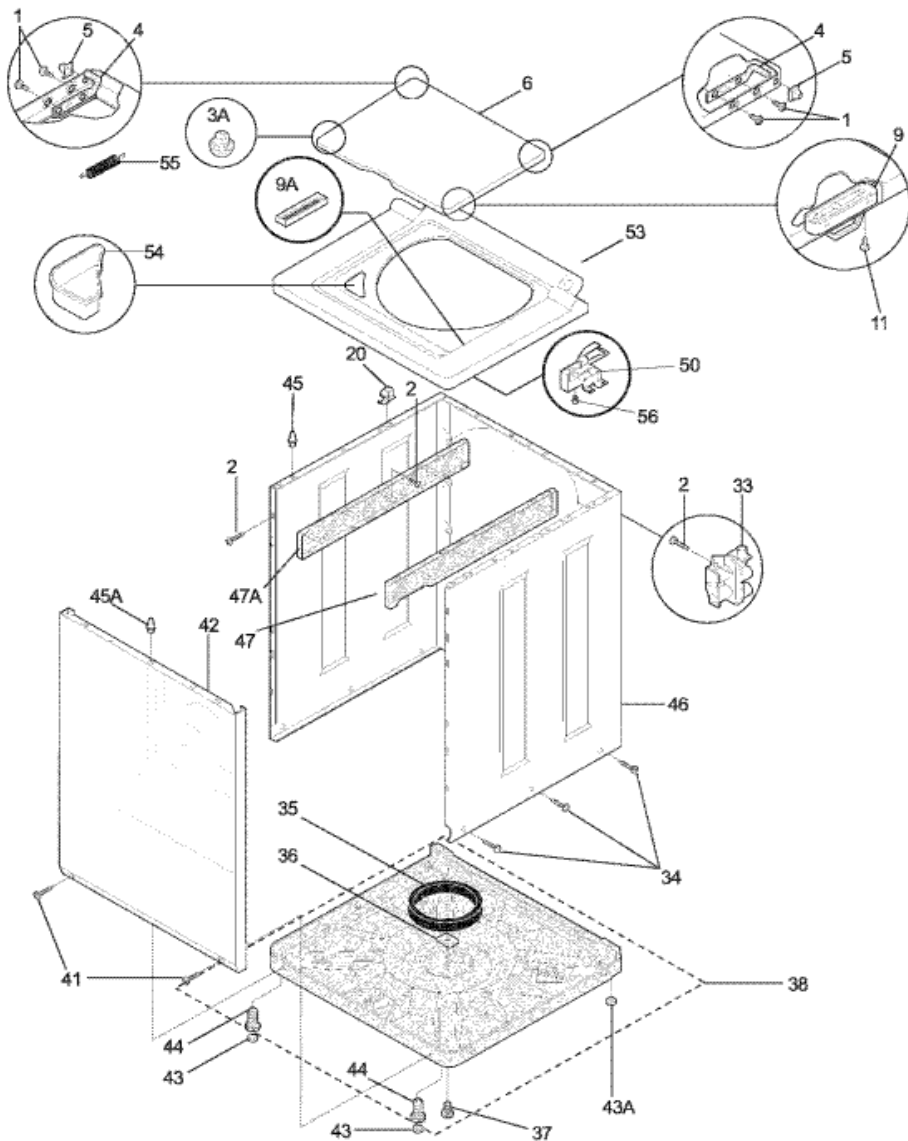
2	131168200	SCREW,PAN HEAD ,8-18B X 0.31 (S/P)
4	131873404	KNOB,ROTARY ,WHITE/DK GRAY (S/P)
5	134422700	SWITCH,PRESSURE ,3 POSITION ,3/4 HP
9	131111501	BUTTON,START SWITCH ,WHITE ,PUSH TYPE (S/P)
11	5303283289	SCREW,CR PAN HEAD , (S/P)
17	134263400	BRACKET,CONTROL MOUNT (S/P)
18	134411000	PANEL,TRIMPLATE ,WHITE ,CONSOLE FRONT (S/P)
20	131288101	END CAP,WHITE ,LH
21	131873304	KNOB,DRYER TIMER ,WHITE
22	131311700	SCREW,PAN HEAD QUAD , (S/P)
24	134156200	SCREW,FLAT HEAD (S/P)
25	131976804	INDICATOR,TIMER POINTER
27	131892100	SCREW,6-20B X 0.230 (S/P)
31	131288211	END CAP,WHITE ,RH (S/P)
32	3204357	CLIP,GROUNDING (S/P)
34	131243700	SCREW,PAN HEAD ,8-18AB X 0.375 (S/P)
35	131063700	CLIP,END CAP MTG ,U-TYPE (S/P)
F39	134400000	SWITCH,ROTARY ,2 POSITION (S/P)
F15	134410100	SWITCH,TEMPERATURE ,3 POSITION (S/P)
F6	134542500	WIRING HARNESS,WASHER CONTROL (S/P)
F23	134605800	WIRING HARNESS,MAIN (S/P)
F29	134689400	WIRING HARNESS,WASHER ,2SPD (S/P)
F38	5303286537	BUZZER (S/P)
F1	5303297139	TIMER,DRYER
21A	131977201	KNOB,WASHER TIMER ,WHITE
FNI	134101400	TERMINAL BLOCK,MAIN (S/P)
F10	131628900	SWITCH,PUSH START
F3	134066100	WIRING HARNESS,DRYER CONTROL (S/P)
F8	131758600	TIMER,WASHER

Distribuidor Autorizado

SurteRápido.com

Venta de Refacciones
Electrodomesticas

SWXG831DS1 GABINETE





SWXG831DS1 GABINETE

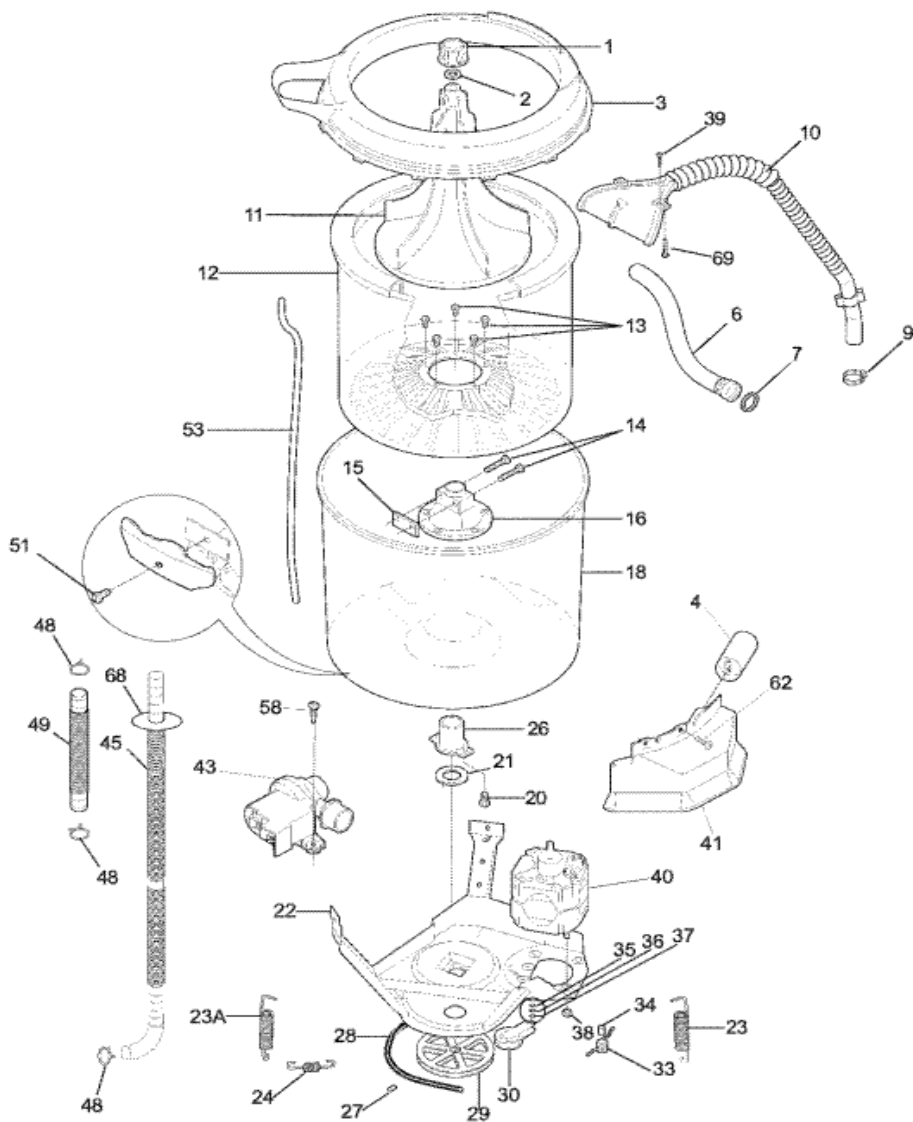
1	134203900	SCREW,PAN HD PHILLIPS , (S/P)
2	131168200	SCREW,PAN HEAD ,8-18B X 0.31 (S/P)
4	3205250	HINGE BAR (S/P)
5	5303208743	GROMMET,HINGE (S/P)
6	5303212872	LID,WASHER ,WHITE (S/P)
9	131390000	LID STRIKE
11	3204368	SCREW,LID STRIKE MTG ,6-20B X 0.375 (S/P)
20	3204374	PIN,SLIDE ,SIDE TO TOP (S/P)
34	131205500	SCREW,CAB BODY , (S/P)
35	5308002385	SNUBBER RING
36	3204380	SHIPPING BLOCK (S/P)
37	131658900	SCREW,SHIPPING , (S/P)
38	5303311213	BASE ASSEMBLY (S/P)
41	131258400	SCREW,10-16AB X 0.500 (S/P)
42	131104303	PANEL,FRONT ,WHITE (S/P)
43	131422100	PAD,LEVELING LEG
44	5303309673	SCREW,LEVELING LEG ,WITH PAD
45	131346400	PIN,PANEL LOCATOR (S/P)
46	134046600	CABINET ASSY,WHITE ,BACK AND SIDES (S/P)
47	131106701	BRACKET,MARRIAGE ,RH (S/P)
53	134135800	PANEL,WASHER TOP ,WHITE (S/P)
54	3204394	DISPENSER,BLEACH (S/P)
55	5303212876	SPRING,LID ASSIST
56	131243700	SCREW,PAN HEAD ,8-18AB X 0.375 (S/P)
9A	134768500	INSERT,STRIKER PLATE ,LID SLOT (S/P)
F33	134190200	VALVE,WATER ,115 V
3A	134075500	BUMPER,LID ,FRONT
F50	134101800	LOCK,LID ,W/EXT SWITCH
43A	131422200	PAD,SELF LVLG LEG ,REAR (S/P)
45A	131346401	PIN,PANEL LOCATOR ,FRONT (S/P)
47A	131091001	BRACKET,MARRIAGE ,LH (S/P)

Distribuidor Autorizado

SurteRápido.com

Venta de Refacciones
Electrodomesticas

SWXG831DS1 TINAS



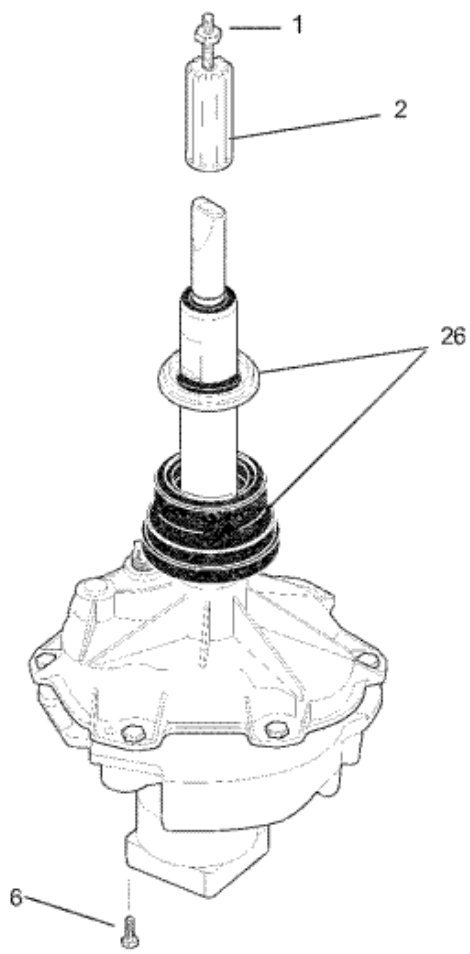
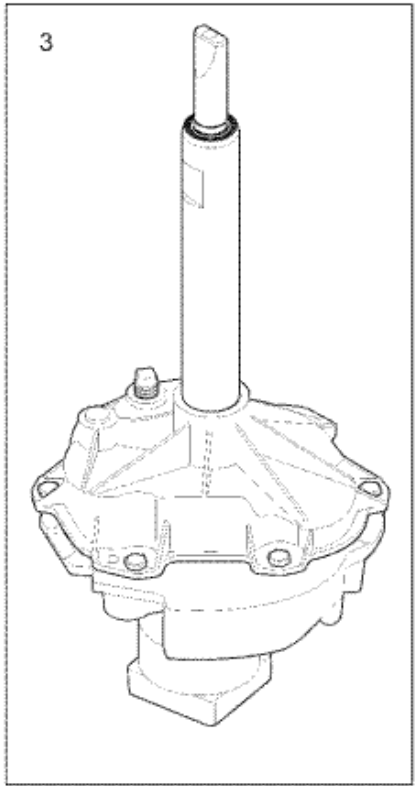


SWXG831DS1 TINAS

1	3204395	CAP,AGITATOR ,STANDARD,SLIM
2	3204396	SEAL,AGITATOR CAP
3	131398303	COVER,SPLASH TUB ,WITH SEAL
6	131279600	HOSE,WATER INLET ,4 FT. ,HOSE & WASHER (S/P)
7	5303161296	WASHER,INLET HOSE (S/P)
9	5303304824	CLAMP
13	5303283293	SCREW,TRUNION ,5/16-18 X 0.625 ,(5)
14	131192800	SCREW,LOCKPLATE ,5/16-18 X 1.625
15	5308001923	PLATE,LOCK
16	131545101	TRUNNION
18	131557201	TUB,SPLASH ,W/AIR DOME,BRG (S/P)
20	3205150	SCREW,TUB BEARING ,8-12B X 0.750 (S/P)
21	5308002401	WASHER,SPIN BEARING ,UPPER
22	131373610	LEG & DOME ASSY
23	5303208858	SPRING,VERTICAL ,SHORT
24	131373900	SPRING,HORIZONTAL
27	5303304825	SCREW,SET,HEX HD CUP (S/P)
33	3204425	SPRING,TORSIONAL
34	3204426	SLEEVE,IDLER PIVOT
35	3161433	RING,RETAINING
36	5303261031	WASHER,PIVOT SHAFT
37	5303161306	WASHER,SPRING TYPE
38	5303318708	NUT,HEX FLANGE ,MOTOR MOUNTING (S/P)
39	131205100	SCREW,NO.8 PAN HEAD , (S/P)
41	131513300	SHIELD,MOTOR ASSY ,W/SPEED NUTS (S/P)
48	131306234	CLAMP,HOSE ,WIRE (S/P)
51	134164400	SCREW,HEX WASHER HEAD , (S/P)
53	5304401845	TUBE,PRESSURE ,VINYL
58	134160900	SCREW,WASHER HD ,10-16AB X 0.75 (S/P)
62	131258400	SCREW,10-16AB X 0.500 (S/P)
68	131707800	RING,DRAIN HOSE (S/P)
69	131731500	FASTENER,RATCHET (S/P)
F49	131494800	HOSE,PUMP TO TUB

F12	131370400	TUB,SPIN ,W/LINT FILTER
F4	131212301	CAPACITOR,MOTOR (S/P)
F29	131498300	PULLEY,XMSN DRIVE
F30	131862900	IDLER ARM ASSY,VAW ,WITH PULLEY
F11	3204401	AGITATOR,STANDARD ,SLIM
23A	5303208860	SPRING,VERTICAL
F26	3204405	BEARING,OUTER TUB
F40	134160700	MOTOR,3/4 HP,1 SPEED ,WITH PULLEY
F43	134051200	PUMP,DRAIN
F45	134049200	HOSE,DRAIN
F28	131686100	V-BELT,WASHER DRIVE ,STANDARD 4L

SWXG831DS1 TRANSMISION





SWXG831DS1 TRANSMISION

1	131206800	STUD,AGITATOR CAP (S/P)
6	134197900	SCREW,HEX WASHER HEAD ,1/4-20 X 0.437 (S/P)
26	5308950197	SEAL ASSY,TUB ,TRANSMISSION
F2	134418700	HUB,DRIVE ,AGITATOR
F3	134588800	TRANSMISSION,SERVICE KIT