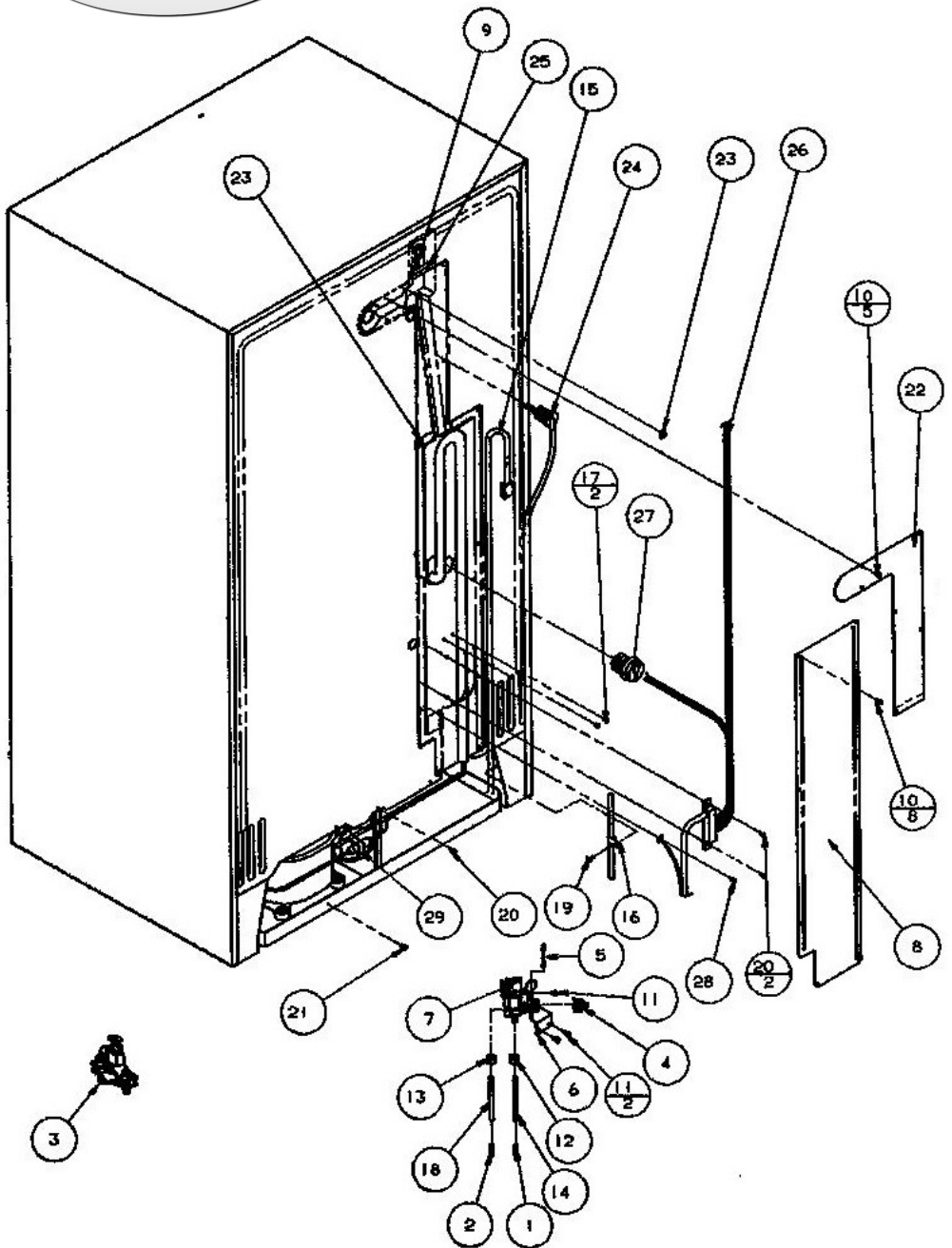


Distribuidor Autorizado

SurteRápido.com

Venta de Refacciones
Electrodomesticas

Refrigerador Amana SZD25M2L





Refrigerador Amana SZD25M2L

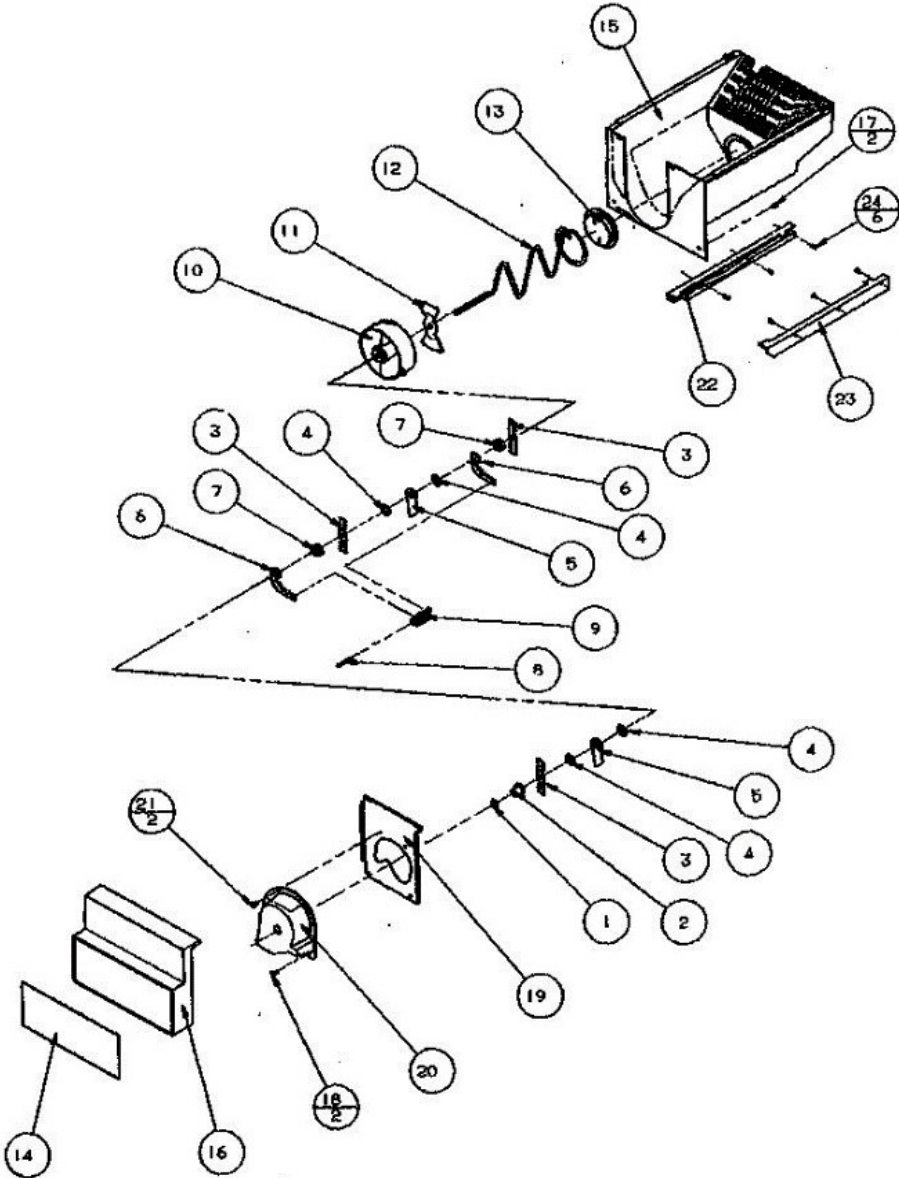
| Guía | N.P. | Descripción |
|------|----------|----------------------|
| NI | A3223101 | INSERT, PLASTIC TUBE |
| 1 | A1055101 | SPRING, ANTIKINK |
| 2 | A1055102 | SPRING K |
| 3 | A3034801 | SADDLE VALVE |
| 4 | 10244901 | COUPLING |
| 5 | B8374701 | CLIP, WATER VALVE |
| 6 | D7701601 | BRKT, WATER VALVE |
| 8 | 10178402 | COVER, O.C.BACK |
| 9 | M0114003 | CLIP, SPEED |
| 11 | M0251015 | SCREW |
| 12 | M0753001 | NUT, SLEEVE |
| 13 | M0753002 | NUT, SLEEVE |
| 14 | B5705321 | TUBE, PLASTIC , 68`` |
| 15 | B8310503 | CORD - POWER |
| 16 | M0103901 | CLAMP |
| 17 | M0232903 | SCREW |
| 18 | D7787801 | TANK, COIL WATER |
| 19 | M0219916 | SCREW |
| 20 | M0220617 | SCREW |
| 22 | 10178502 | WIRE COVER |
| 23 | M0104101 | CLIP,CORD |
| 24 | 10178801 | GROMMET WIRE |
| 25 | A3189336 | GASKET, FOAM |
| 26 | 10268101 | HARNESS CABINET |
| 27 | 10178701 | GROMMET WIRE |
| 28 | M0232317 | SCREW |

Distribuidor Autorizado

SurteRápido.com

Venta de Refacciones
Electrodomesticas

Refrigerador Amana SZD25M2L

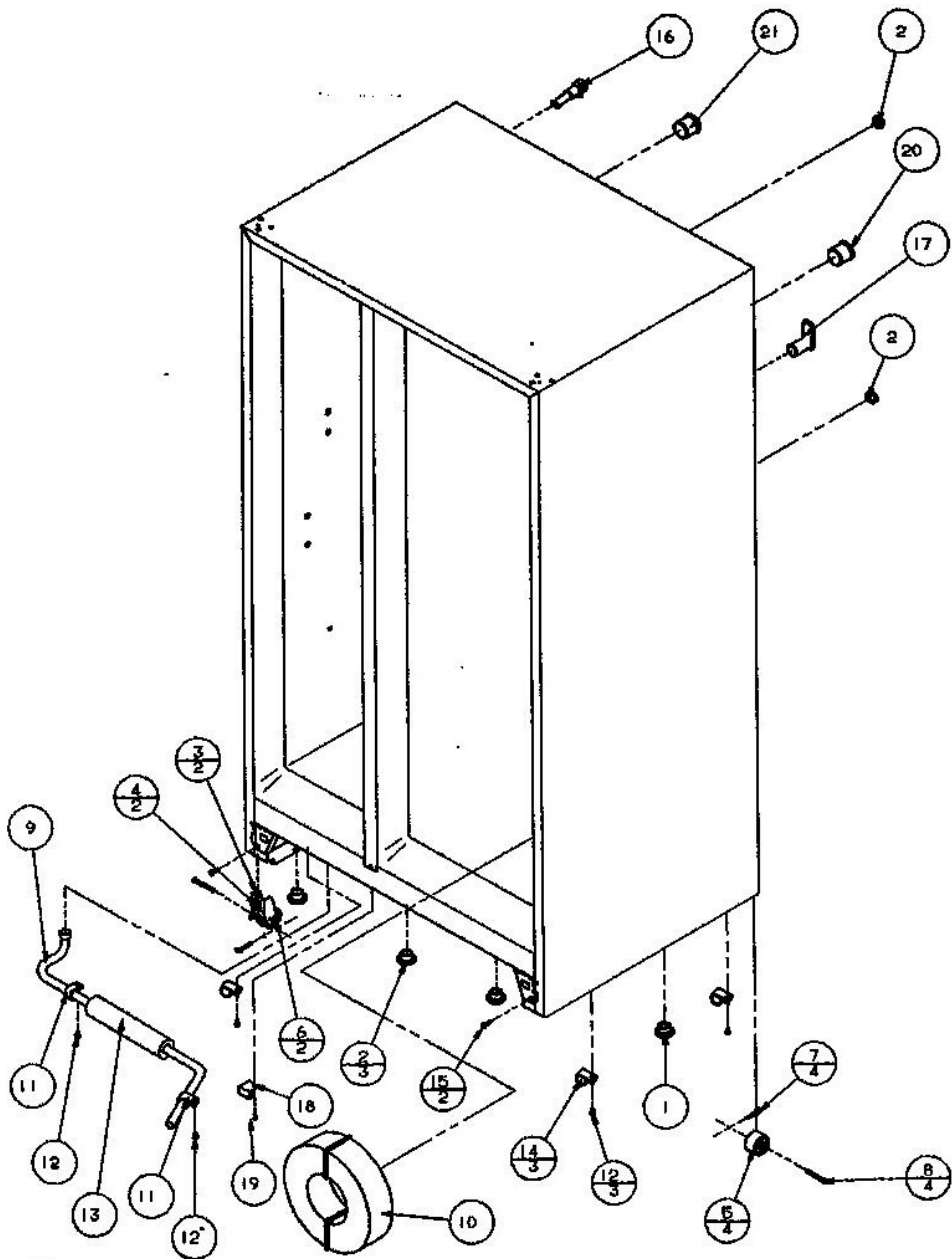




Refrigerador Amana SZD25M2L

| Guía | N.P. | Descripción |
|------|----------|---------------------------|
| NI | R0156803 | CRUSHED ICE AGITATOR ASSY |
| 1 | M0223101 | NUT, LOCKING |
| 2 | 10113901 | SPACER, COVER |
| 3 | 10114501 | BLADE, ROTATING |
| 4 | 10275101 | WASHER, WAVED |
| 5 | 10275201 | DAMPER, ICE |
| 6 | 10114601 | BLADE, STATIC |
| 7 | 10114301 | WASHER STEPPED |
| 8 | M1200108 | PIN, ROLL |
| 9 | 10114101 | ANCHOR, BLADE |
| 10 | 10114702 | WHEEL, CRSH ICE |
| 11 | 10113801 | BAR, CRSH ICE BUCKET |
| 12 | 10114401 | AGITATOR, ICE |
| 13 | D7749401 | CAP, HELIX END |
| 14 | C8975316 | INSERT, BUCKET FZ |
| 15 | 10111901 | BUCKET, CRUSHED ICE |
| 16 | 10112001 | FRONT-CRSH ICE BRKT |
| 17 | M0209616 | SCREW, SM |
| 18 | M0216703 | SCREW xxx |
| 19 | 10115001 | FRONT, ICE CRUSHER |
| 20 | 10114002 | COVER, BLADE |
| 21 | M0220303 | SCREW, TF |
| 22 | D7849903 | GLIDE-L FZ |
| 23 | D7849904 | GLIDE, FREEZER RH |
| 24 | M0213529 | SCREW |

Refrigerador Amana SZD25M2L





Refrigerador Amana SZD25M2L

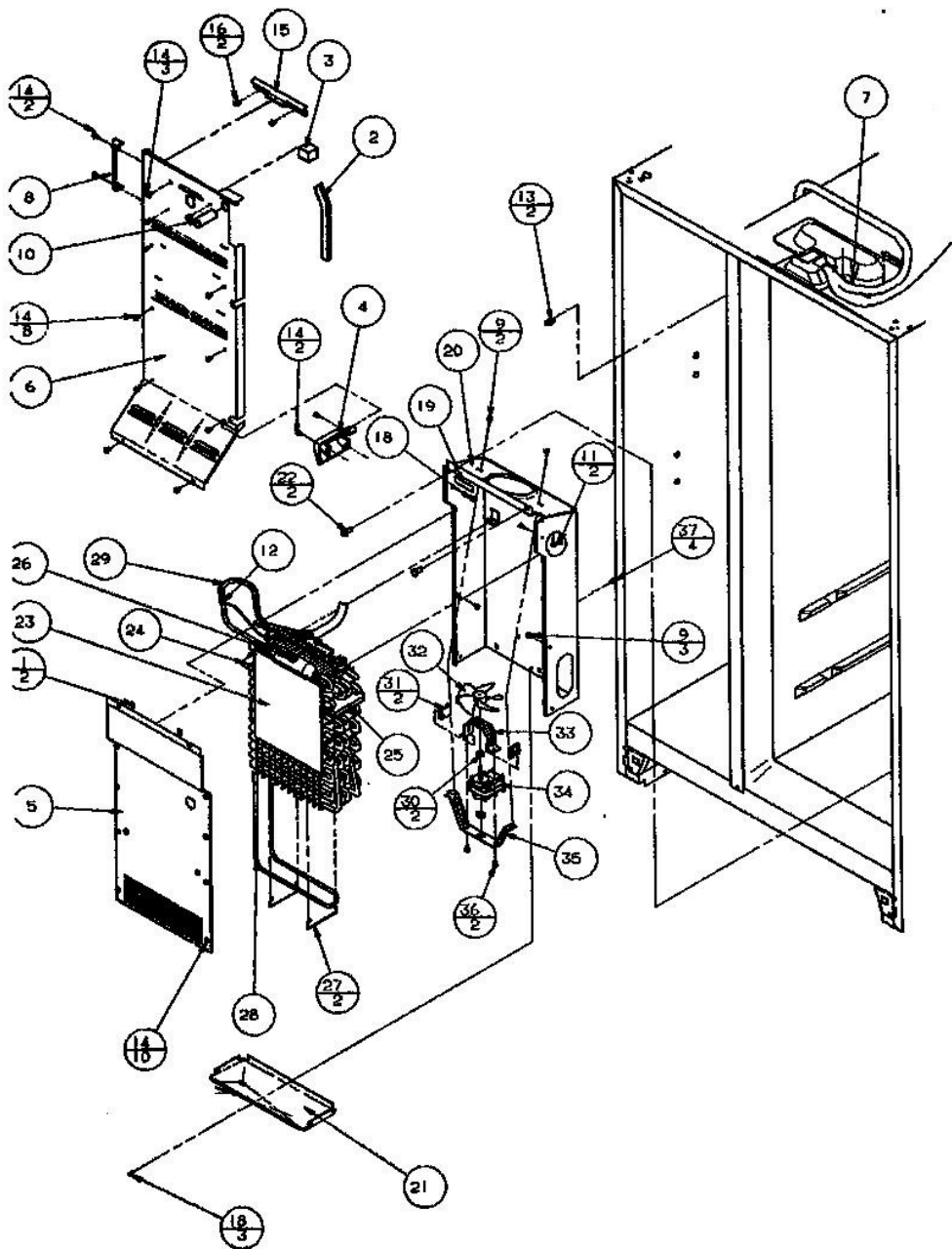
| Guía | N.P. | Descripción |
|------|----------|---------------------------|
| NI | C8956101 | ASSY, ROLLER BRACKET |
| 1 | A3076901 | PLUG, BUTTON |
| 2 | A3080001 | PLUG, BUTTON (BLK) |
| 3 | C8742401 | ASSY, ROLLER BRACKET |
| 4 | M0286708 | NUT, SPEED |
| 5 | M0520102 | ROLLER |
| 6 | M1205302 | RIVET |
| 7 | M1200004 | COTTER PIN K |
| 8 | M1200202 | PIN K |
| 9 | 10393002 | DRAIN TUBE |
| 10 | D7787801 | TANK, COIL WATER |
| 11 | 10161301 | HOLDER TUBE |
| 11 | M0102303 | CLAMP |
| 12 | M0220617 | SCREW |
| 13 | A0329814 | TUBING INSULATION BY INCH |
| 14 | M0102330 | CLAMP TUBE |
| 15 | M0204339 | SCREW BOLT K |
| 16 | 10277304 | ASSY, FILL TUBE |
| 17 | C8971902 | TUNNEL, HEAT EX. |
| 18 | C8985801 | BRACKET, RETAINER |
| 19 | M0219916 | SCREW |
| 20 | 10187501 | TUNNEL WIRE |
| 21 | 10187601 | TUNNEL WIRE |

Distribuidor Autorizado

SurteRápido.com

Venta de Refacciones
Electrodomesticas

Refrigerador Amana SZD25M2L





Refrigerador Amana SZD25M2L

| Guía | N.P. | Descripción |
|------|----------|------------------------------|
| 1 | B8324801 | CLIP GROUND |
| 2 | B8386602 | GASKET |
| 3 | C8976102 | GASKET, AIR BLOCK |
| 4 | D7786902 | COVER, M.K. AIR |
| 5 | D7865907 | COVER, EVAPORATOR |
| 6 | D7821124 | INNER FZ BACH PNT |
| 7 | 10281401 | HARNESS, REF LINER |
| 8 | D7838302 | COVER, SUPPLY AIR |
| 9 | M0219916 | SCREW |
| 10 | A3127414 | EXT. FILL TUBE |
| 11 | M0232903 | SCREW |
| 12 | M0321202 | TIE |
| 13 | M0322202 | TIE WIRE |
| 14 | M0209616 | SCREW, SM |
| 15 | C8976201 | CLAMP |
| 16 | M0211018 | SCREW, SM |
| 18 | 10098801 | RIVET |
| 19 | B5757707 | GASKET, FOAM |
| 20 | D7865804 | EVAPORATOR SHIELD |
| 21 | D7850202 | DRIP TRAY PNT. |
| 22 | M0580003 | GROMMET |
| 23 | B8327901 | GASKET, EVAP. |
| 24 | B8385502 | BLOCK-LH AIR COIL |
| 25 | B8385601 | BLOCK P M AIR COIL |
| 26 | C8972006 | THERMOSTAT TRI 111 |
| 27 | C8983101 | CLIP, EVAP. HEATER |
| 28 | D7872801 | HEATER, DEFROST |
| 29 | R0170041 | ASSY,LOW SIDE-THIN WALL EVAP |



Refrigerador Amana SZD25M2L

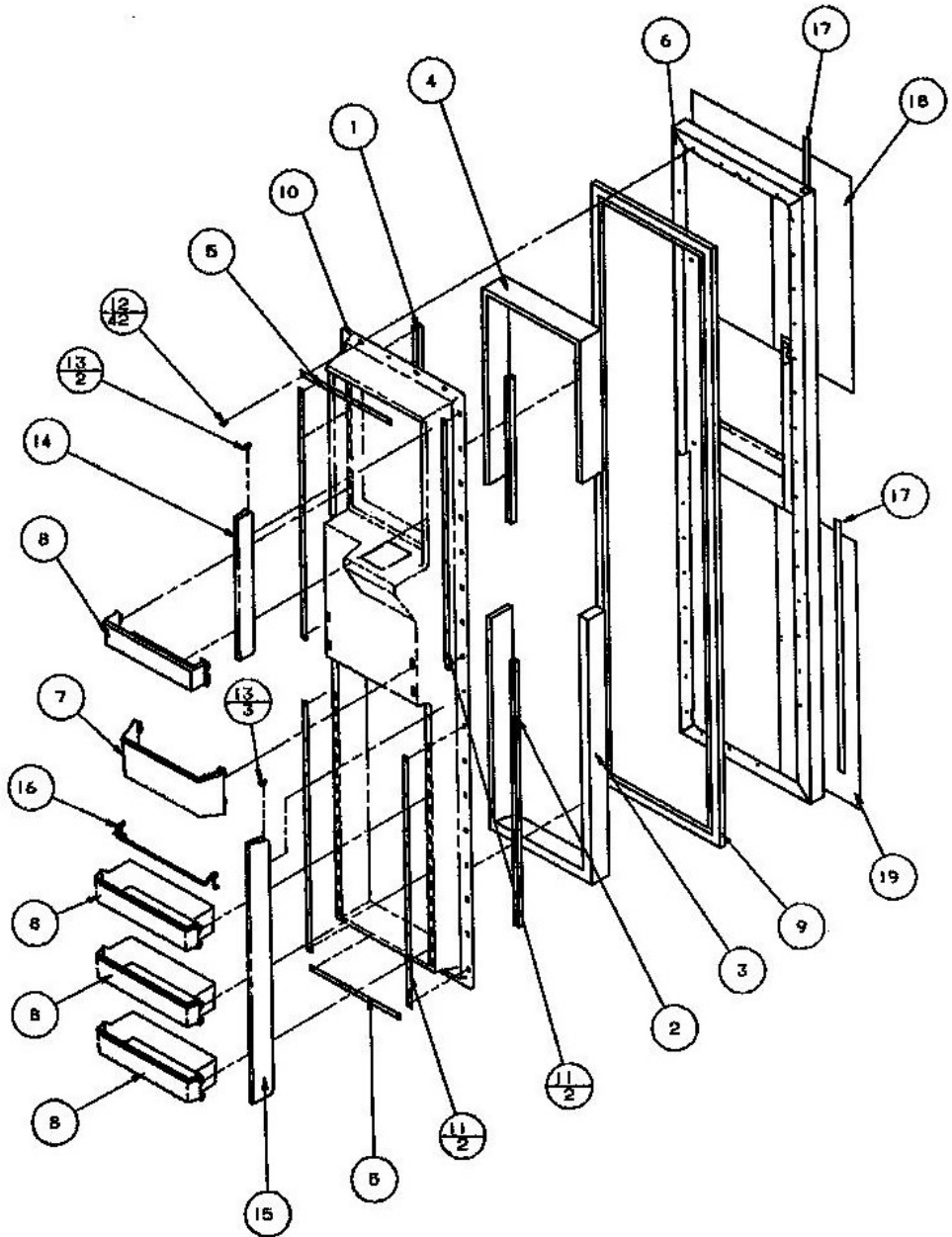
| Guía | N.P. | Descripción |
|------|----------|-----------------------|
| 30 | A1017202 | GROMMET |
| 31 | A1047901 | SHIM |
| 32 | C8795501 | FAN-EVAP |
| 33 | C8881301 | BRKT EVAP FAN |
| 34 | C8891601 | MOTOR, EVAP FAN |
| 35 | D7767701 | BRACKET, MOTOR SHROUD |
| 37 | M0580002 | GROMMET A |

Distribuidor Autorizado

SurteRápido.com

Venta de Refacciones
Electrodomesticas

Refrigerador Amana SZD25M2L





Refrigerador Amana SZD25M2L

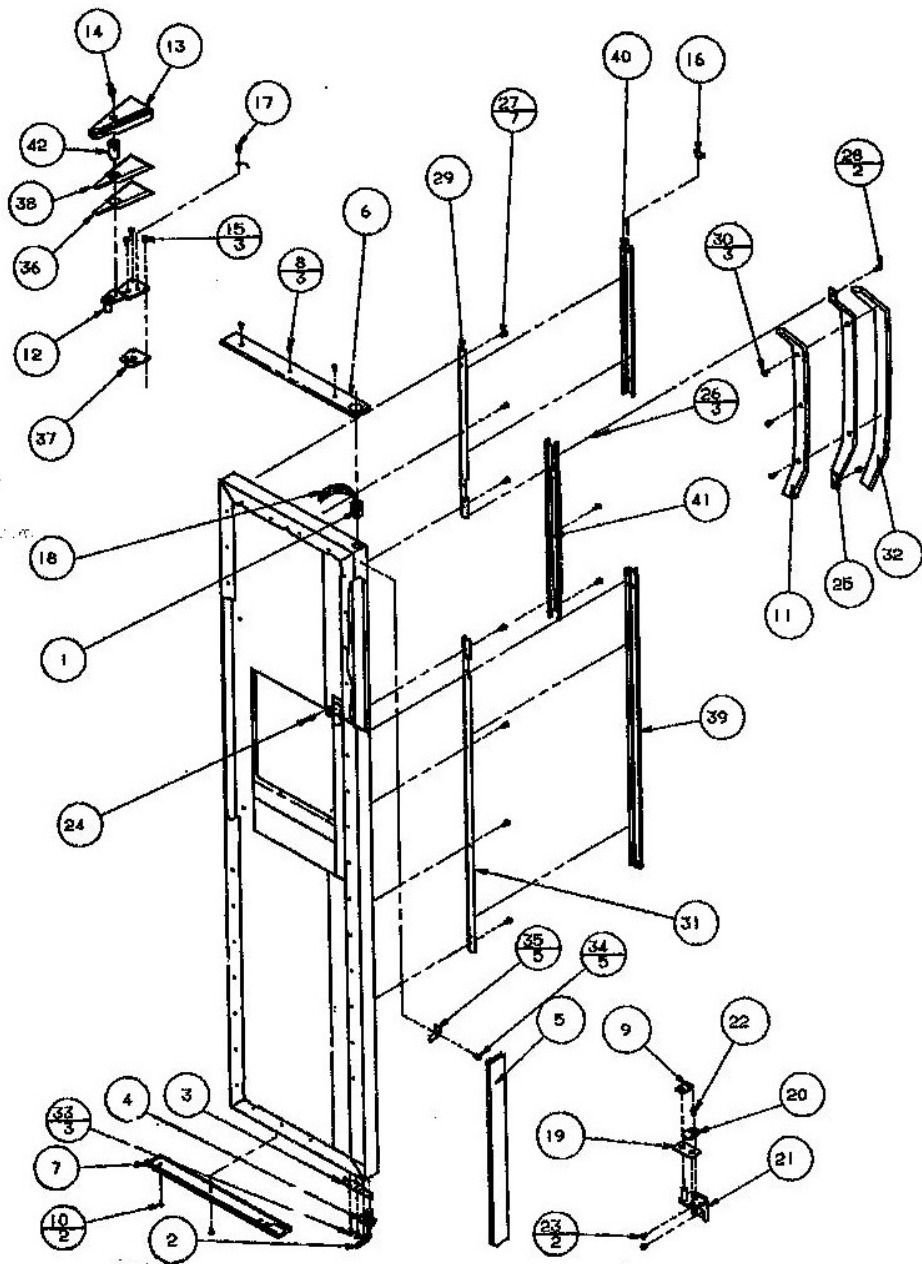
| Guía | N.P. | Descripción |
|------|------------|-------------------------|
| NI | B8391204 | TRIM |
| 1 | C8987101 | SEAL, DOOR DIKE |
| 2 | C8987103 | SEAL, DOOR DIKE |
| 3 | B0523562 | INSUL. BY THE FT. |
| 4 | B0523583 | INSULATION, PER FT. |
| 5 | C8982801 | RETAINER, DOOR LINER |
| 6 | 10300501LQ | ASSY, FRZ DOOR (ALMOND) |
| 6 | 10300501WQ | ASSY FRZ DOOR |
| 6 | 10300502EQ | FZ DR AS CFC 11 |
| 7 | D7783511 | SHELF, FRZ. DR. HALF |
| 8 | D7783610 | SHELF FZ DOOR |
| 8 | D7783710 | BUCKET FZ. DOOR |
| 9 | 10359702 | GASKET (W FRZ DR) |
| 9 | 10359704 | GASKET DOOR FRZ |
| 10 | D7828505 | INNER DOOR PANEL |
| 11 | D7828601 | RETAINER, DOOR LINER |
| 12 | M0219730 | SCREW |
| 16 | 10169402 | RETAINER, PACKAGE |

Distribuidor Autorizado

SurteRápido.com

Venta de Refacciones
Electrodomesticas

Refrigerador Amana SZD25M2L





Refrigerador Amana SZD25M2L

| Guía | N.P. | Descripción |
|------|----------|-------------------------|
| 1 | C8964401 | BUSHING, TOP |
| 2 | B5705308 | TUBING PLASTIC |
| 3 | C8972402 | STOP, DOOR |
| 4 | D7751401 | KIT,DR CLOSURE |
| 5 | C8974102 | TRIM, DOOR |
| 6 | 10272001 | TRIM FZ DOOR TOP |
| 7 | 10271901 | TRIM-FZ DOOR BOT. |
| 8 | M0210417 | SCREW, SM (STNLS) |
| 9 | B8387701 | SHIM, DOOR CLOSURE |
| 9 | B8387702 | SHIM, DOOR CLOSURE |
| 10 | M0216515 | SCREW |
| 11 | D7863002 | PAD, HANDLE INNER (WHT) |
| 11 | D7863004 | PAD, HANDLE INNER (ALM) |
| 12 | 10185101 | TOP HINGE-E CT |
| 13 | 10126401 | HINGE COVER - CHROME |
| 13 | 10126402 | COVER HINGE BLACK |
| 14 | M0202336 | SCREW, MACH |
| 15 | M0226331 | KIT, SCREW |
| 17 | M0202321 | SCREW, MACH |
| 18 | 10164202 | HARNES FZ DOOR |
| 19 | B8386701 | KIT,BTM HINGE SHIM |
| 19 | B8386702 | KIT,BTM HINGE SHIM |
| 19 | B8386703 | KIT,BTM HINGE SHIM |
| 20 | D7748301 | KIT,DR CLOSURE |
| 21 | 10163601 | BOTTOM HINGE, FRZ |
| 22 | M0220417 | SCREW |
| 23 | M0233847 | SCREW |
| 24 | M0232903 | SCREW |



Refrigerador Amana SZD25M2L

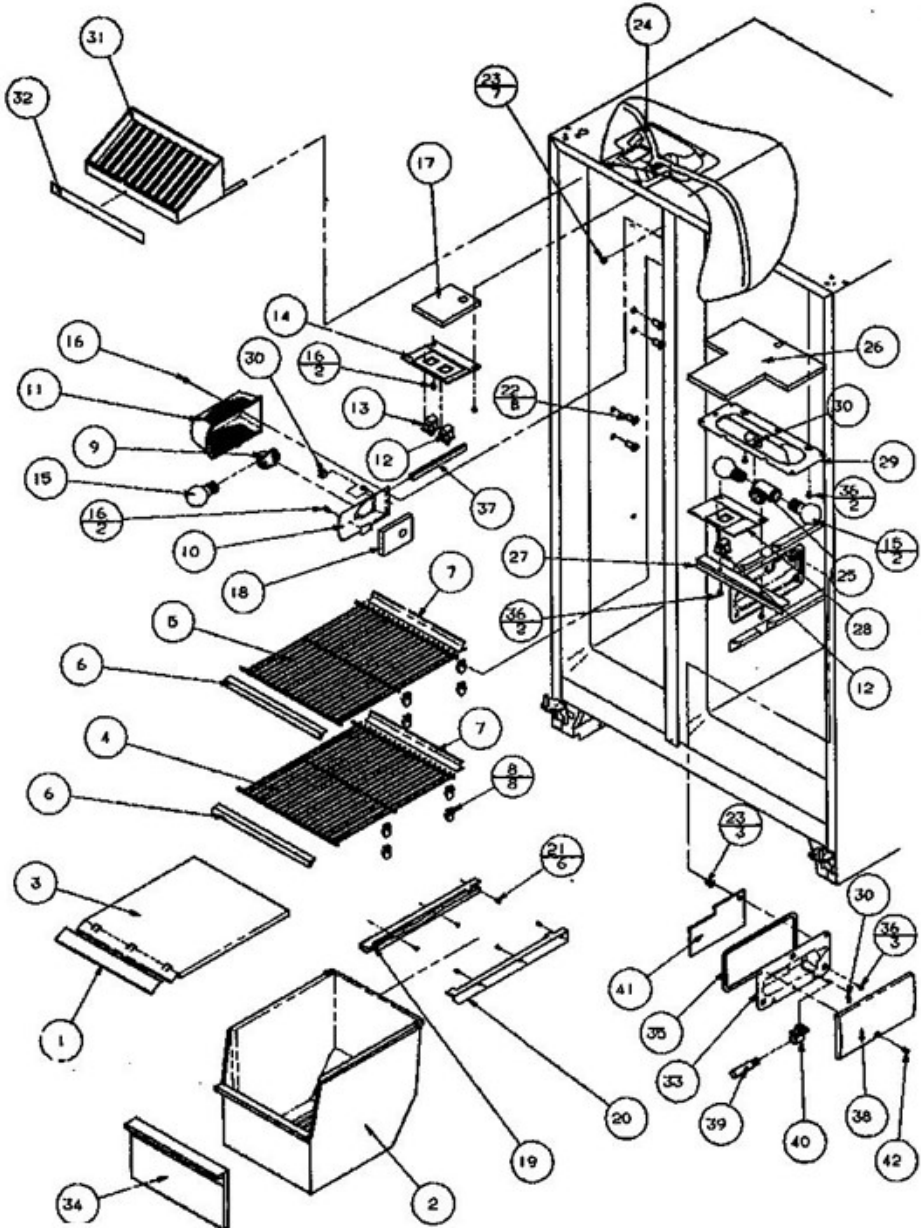
| Guía | N.P. | Descripción |
|------|----------|-------------------------|
| 25 | D7826603 | HANDLE |
| 26 | M0216517 | SCREW |
| 27 | M0213815 | SCREW |
| 28 | M0211030 | KIT, SCREW |
| 29 | D7793002 | RETAINER, TRIM |
| 30 | M0215116 | SCREW |
| 31 | D7793102 | RETAINER, TRIM |
| 32 | D7863102 | PAD, HANDLE OUTER (WHT) |
| 32 | D7863104 | PAD, HANDLE OUTER (ALM) |
| 33 | M0211018 | SCREW, SM |
| 36 | 10126501 | INSULATION, HINGE COVER |
| 37 | B8389001 | SHIM, TOP HINGE |
| 38 | 10126601 | FOIL, HINGE COVER V/A |
| 39 | D7792703 | TRIM, LWR FRZ DOOR (W) |
| 39 | D7792705 | TRIM, LWR FRZ DOOR (L) |
| 40 | D7852103 | UPPER TRIM FRZ DR (W) |
| 40 | D7852105 | UPPER TRIM FRZ DR (L) |
| 41 | D7854003 | TRIM CENTER FRZ (W) |
| 41 | D7854005 | TRIM CENTER FRZ (L) |
| 42 | A3012532 | TUBING PLASTIC |

Distribuidor Autorizado

SurteRápido.com

Venta de Refacciones
Electrodomesticas

Refrigerador Amana SZD25M2L





Refrigerador Amana SZD25M2L

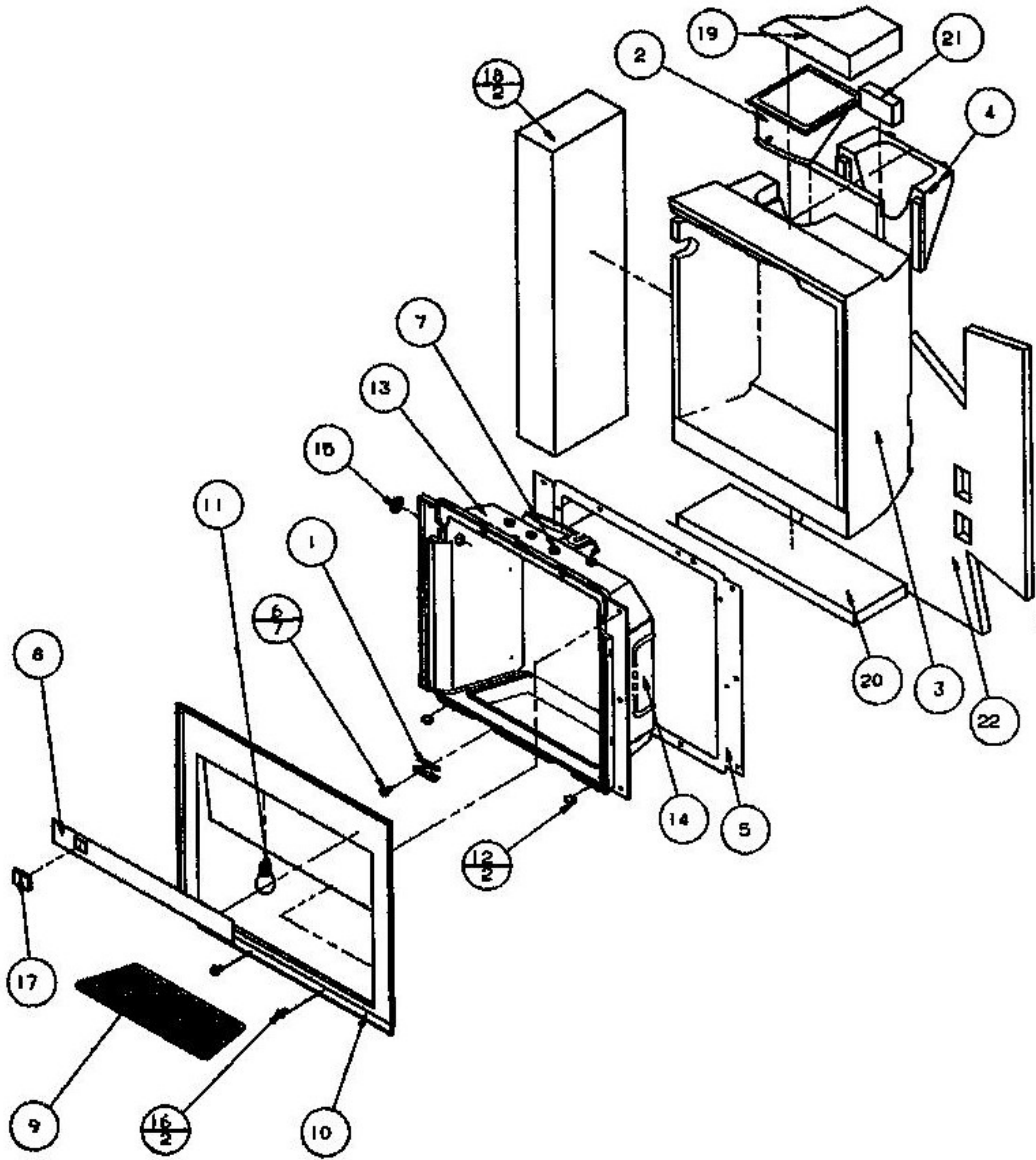
| Guía | N.P. | Descripción |
|------|----------|-------------------------|
| 1 | D7616690 | TRIM-FZ SHELF |
| 2 | D7781415 | BASKET FREEZER CLEAR |
| 3 | D7781504 | FREEZER SHELF |
| 4 | D7788314 | SHELF FZ WIRE |
| 5 | D7788315 | SHELF, FRZ WIRE |
| 6 | 10049921 | TRIM, FRONT SHELF |
| 7 | C8913609 | TRIM |
| 8 | C8973801 | SUPPORT, FRZ SHELF |
| 9 | D7714404 | SOCKET-LIGHT |
| 10 | D7753503 | PLATE-LIGHT SOCKET |
| 11 | D7786602 | SHIELD, LIGHT |
| 12 | C3680304 | SWITCH |
| 13 | C3680306 | SWITCH |
| 14 | D7749002 | COVER LIGHT |
| 15 | A0282803 | BULB, LIGHT (40 WATT) |
| 16 | M0209616 | SCREW, SM |
| 17 | C8976401 | BARRIER FRZ. |
| 18 | C8974501 | BARRIER, FRZ SIDE |
| 19 | D7849903 | GLIDE-L FZ |
| 20 | D7849904 | GLIDE, FREEZER RH |
| 21 | M0213529 | SCREW |
| 22 | C8973701 | PLUG, FRZ SHELF SUPPORT |
| 23 | M0580007 | GROMMET, SCREW |
| 24 | 10268001 | HARNESS FZ LINER |
| 25 | D7808602 | SOCKET, DUAL LAMP |
| 26 | C8778301 | INSULATION |
| 27 | 10014708 | SHIELD, LIGHT |
| 28 | D7297603 | COVER, LIGHT SW |



Refrigerador Amana SZD25M2L

| Guía | N.P. | Descripción |
|------|-----------|---------------------|
| 29 | D7716404 | HOUSING-REF LIGHT |
| 30 | B5733302 | CLIP, GROUND |
| 31 | D7839701 | RACK, JUICE V |
| 32 | C8986113 | INSERT JUICE RACK |
| 33 | 10270201 | HOUSING, LIGHT |
| 35 | A3189337 | GASKET |
| 36 | M0211017 | SCREW-SM No.8-1/2LG |
| 37 | 10250001 | COVER WIRING |
| 38 | Y10270101 | COVER-LIGHT |
| 39 | A3079001 | BULB 120V. 40W. |
| 40 | 10281601 | SOCKET-LIGHT |
| 41 | 10278001 | INSULATION |
| 42 | M0219916 | SCREW |

Refrigerador Amana SZD25M2L



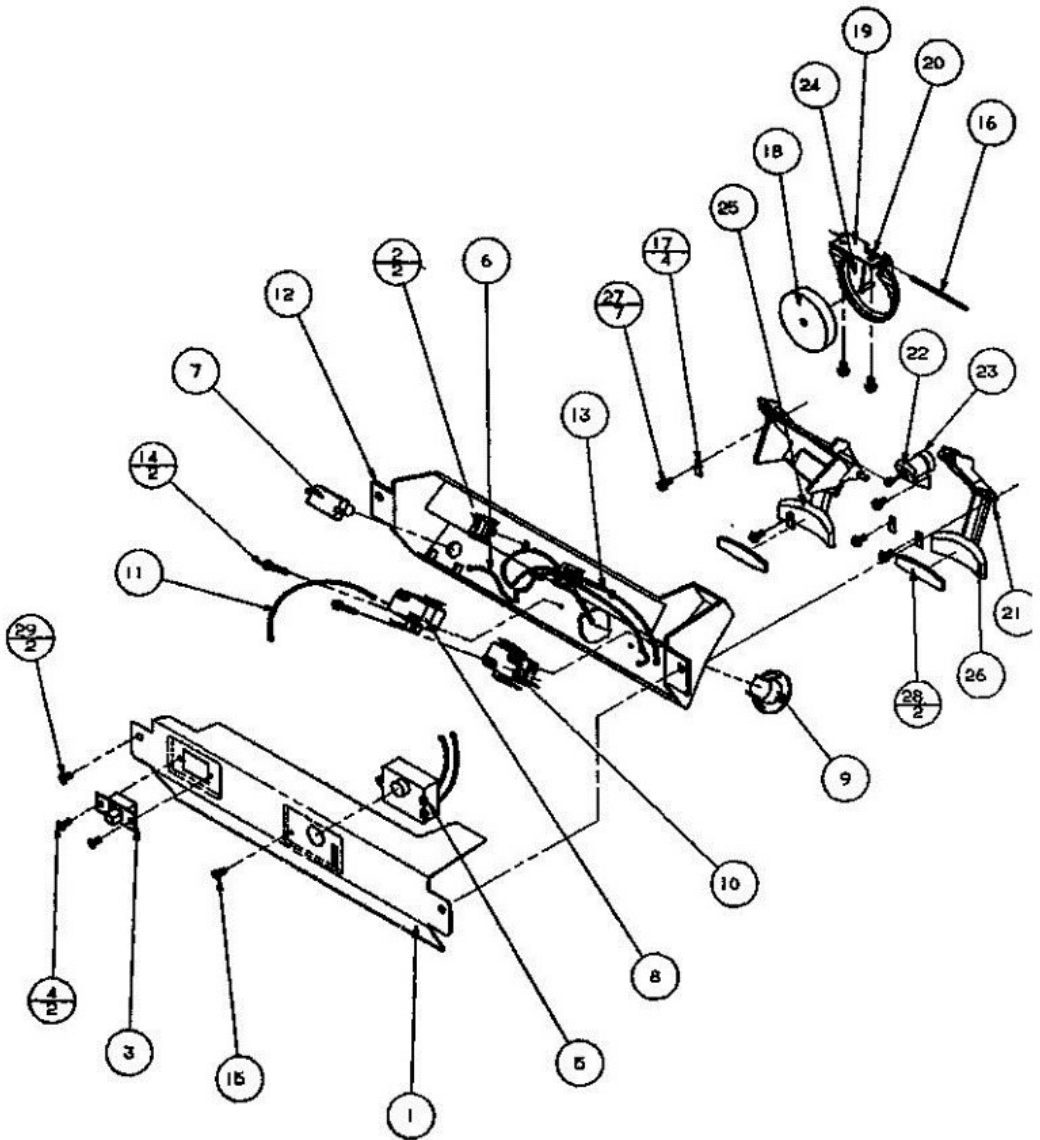
| Guía | N.P. | Descripción |
|------|----------|---------------------------|
| 1 | C8992901 | CLIP |
| 2 | D7750702 | ICE, CHUTE |
| 3 | D7789602 | INSULATION I & W CAV. |
| 4 | D7790901 | INSUL I & W CAVITY |
| 5 | D7791001 | GASKET-CAVITY |
| 6 | M0216517 | SCREW |
| 7 | M0274701 | RETAINER, RING |
| 8 | D7842221 | MEMBRANE,FACADE (WHITE) |
| 8 | D7842222 | MEMBRANE FACADE L |
| 9 | D7750603 | GRILLE, SUMP (WHITE) |
| 9 | D7750605 | GRILLE, SUMP L |
| 10 | D7877524 | FACADE, DISPENSER (WHITE) |
| 10 | D7877525 | FACADE, DISPENSER AL |
| 11 | M0360001 | LIGHT BULB |
| 12 | B8390301 | CLIP, FACADE |
| 13 | D7750013 | CAVITY, DISPENSER |
| 13 | D7750014 | CAVITY-DISPENSER, ALMOND |
| 14 | 10176101 | HEATER-CAVITY |
| 15 | M0311401 | PLUG BUTTON |
| 16 | M0219614 | SCREW K |
| 16 | M0219640 | SCREW |
| 17 | 10176301 | CAP-SILVER SWITCH |
| 18 | 10270904 | INSULATION BATT |
| 19 | B5629053 | INSULATION BATT |
| 20 | B5629054 | INSULATION BATT |
| 21 | B5629058 | INSULATION BATT |
| 22 | 10220201 | INSULATION BATT |

Distribuidor Autorizado

SurteRápido.com

Venta de Refacciones
Electrodomesticas

Refrigerador Amana SZD25M2L





Refrigerador Amana SZD25M2L

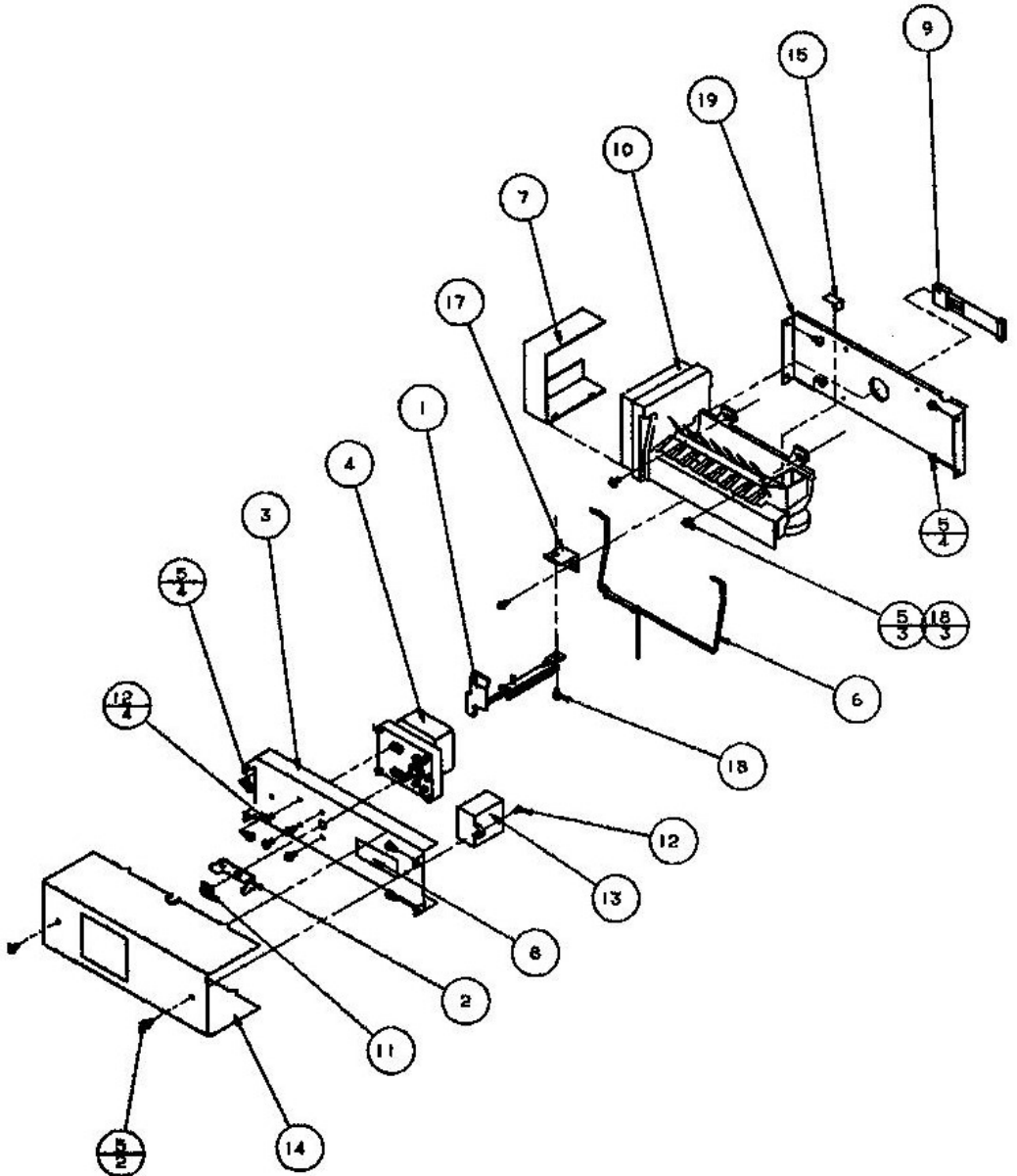
| Guía | N.P. | Descripción |
|------|----------|------------------------|
| NI | R0156692 | KIT,CHUTE DR No.3 |
| 1 | 10131801 | COVER-ELECT BRKT |
| 2 | B5667304 | WIRE CLIP |
| 3 | 10166002 | SWITCH-CRUSHED/CUBE |
| 4 | M0234003 | SCREW |
| 5 | D7854104 | SWITCH-PHOTOSENSITIVE |
| 6 | D7726590 | WIRE-JUMPER |
| 7 | 10166101 | SWITCH-LIGHT CAVITY |
| 8 | C8972702 | ASSY, LIMIT SWITCH |
| 9 | 10131701 | SOCKET, LIGHT |
| 10 | C8972701 | KIT, LIMIT SWITCH |
| 11 | D7726592 | WIRE-JUMPER |
| 12 | 10323301 | BRACKET, ELEC MTG |
| 13 | D7726593 | WIRE JUMPER |
| 14 | M0234008 | SCREW |
| 15 | M0216515 | SCREW |
| 16 | A1061501 | PIN, CHUTE DOOR |
| 17 | A1061601 | RETAINER, ICE ARM |
| 18 | B8380701 | INSULATION, CHUTE DOOR |
| 19 | B8380801 | BRKT-CHUTE DOOR |
| 20 | B8380901 | SPRING,CHUTE DOOR |
| 21 | B8385401 | SPRING, RETURN |
| 22 | C8972501 | RETAINER DOOR DELAY |
| 23 | C8973601 | DELAY, DOOR |
| 24 | 10246601 | KIT,CHUTE DR No.3 |
| 25 | D7750303 | ARM ICE ACTUATER |
| 26 | 10164901 | ARM,WATER ACTUATER |

Distribuidor Autorizado

SurteRápido.com

Venta de Refacciones
Electrodomesticas

Refrigerador Amana SZD25M2L





Refrigerador Amana SZD25M2L

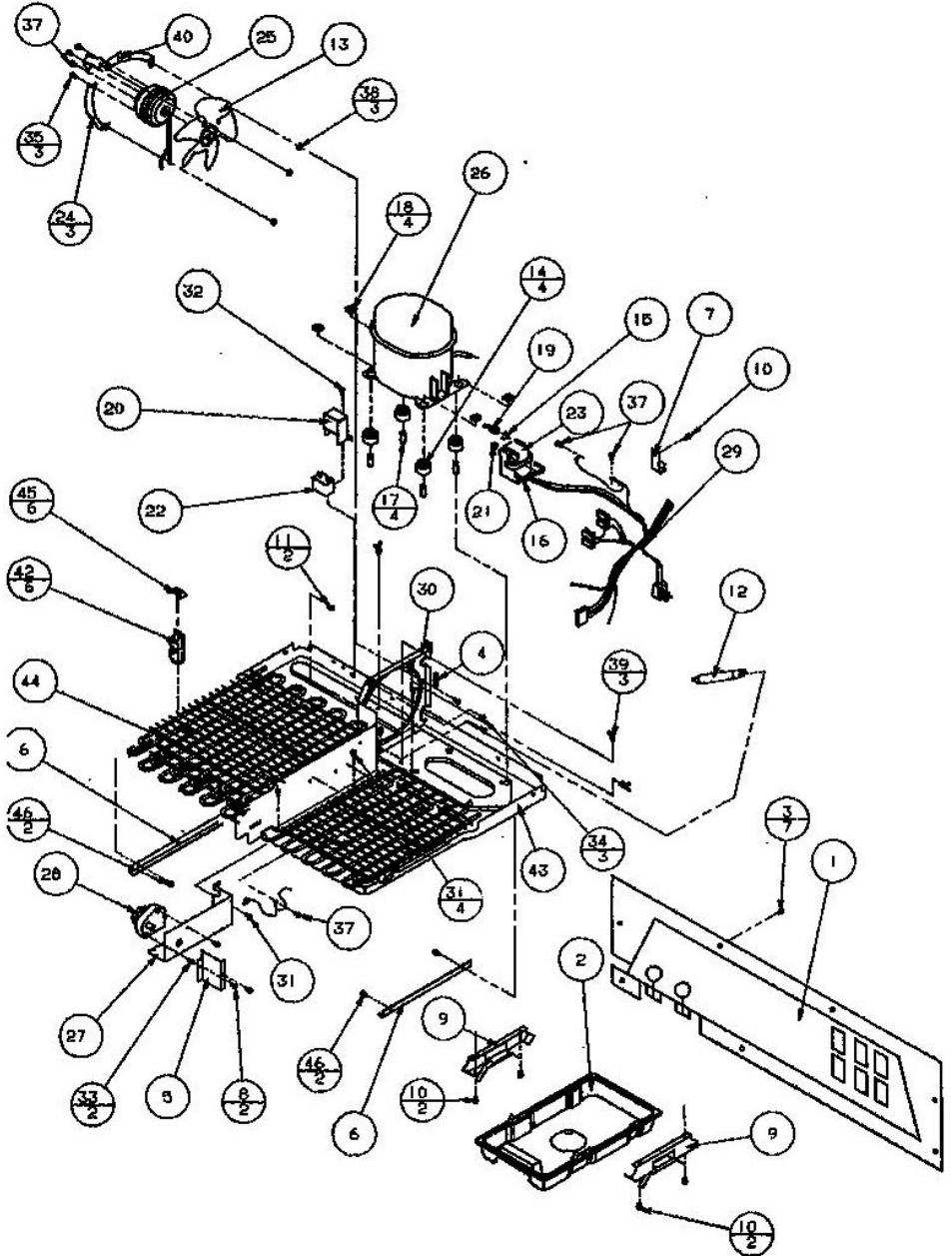
| Guía | N.P. | Descripción |
|------|----------|------------------------|
| 1 | C8980404 | IM SHUT OFF ASSY |
| 2 | 10114901 | DRIVER (ICE MAKER) |
| 3 | D7749205 | SUPPORT,AUGER MOTOR |
| 4 | 10114801 | KIT, AUGER MOTOR |
| 5 | M0209616 | SCREW, SM |
| 6 | D7877001 | ARM,ICE MAKER SHUT OFF |
| 7 | D7820401 | COVER IM |
| 8 | A3030305 | GASKET-PER FT |
| 9 | D7824601 | HARNESS |
| 10 | D7824701 | ICE MAKER |
| 11 | M0223101 | NUT, LOCKING |
| 12 | M0253516 | SCREW |
| 13 | C8931605 | CAPACITOR |
| 14 | D7788811 | COVER,AUGER MTR-E CT |
| 15 | B5720301 | CLIP |
| 17 | B8391801 | BRACKET, I/M |
| 18 | M0211018 | SCREW, SM |
| 19 | D7821003 | SUPPORT-IM |

Distribuidor Autorizado

SurteRápido.com

Venta de Refacciones
Electrodomesticas

Refrigerador Amana SZD25M2L





Refrigerador Amana SZD25M2L

| Guía | N.P. | Descripción |
|------|-----------|-----------------------|
| 1 | D7788901 | MACH BACK ASSY A |
| 2 | D7790601 | DRAIN PAN |
| 3 | M0219704 | SCREW |
| 4 | B5759604 | GASKET |
| 5 | C8973502 | BRACKET, TIMER |
| 6 | D7835501 | SUPPORT M.C. |
| 7 | M0102325 | CLAMP |
| 8 | M0216716 | SCREW |
| 9 | D7790501 | SUPPORT DRAIN PAN |
| 10 | M0220617 | SCREW |
| 11 | M0233844 | SCREW, T F |
| 12 | B2150502 | DRIER |
| 13 | B5742601 | BLADE, FAN |
| 14 | B8333401 | GROMMET |
| 15 | B8358301 | SPRING, OVERLOAD |
| 16 | YB8358601 | BALE STRAP |
| 17 | B8384901 | PIN, COMP. MTG. |
| 18 | B8385001 | CLIP, COMP. MTG |
| 19 | C8906206 | OVERLOAD |
| 20 | 10266401 | SHIELD-CAPACITOR |
| 21 | C8931503 | RELAY |
| 22 | C8931602 | CAPACITOR |
| 23 | C8960801 | TERM COVER |
| 24 | C8982101 | BRACKET, COND MOTOR |
| 25 | D7584002 | MOTOR, FAN |
| 26 | D7736204 | COMPRESSOR AEA1410AXA |
| 27 | D7844201 | BRACKET, TIMER |
| 28 | 10129304 | TIMER, DEFROST (8 HR) |



Refrigerador Amana SZD25M2L

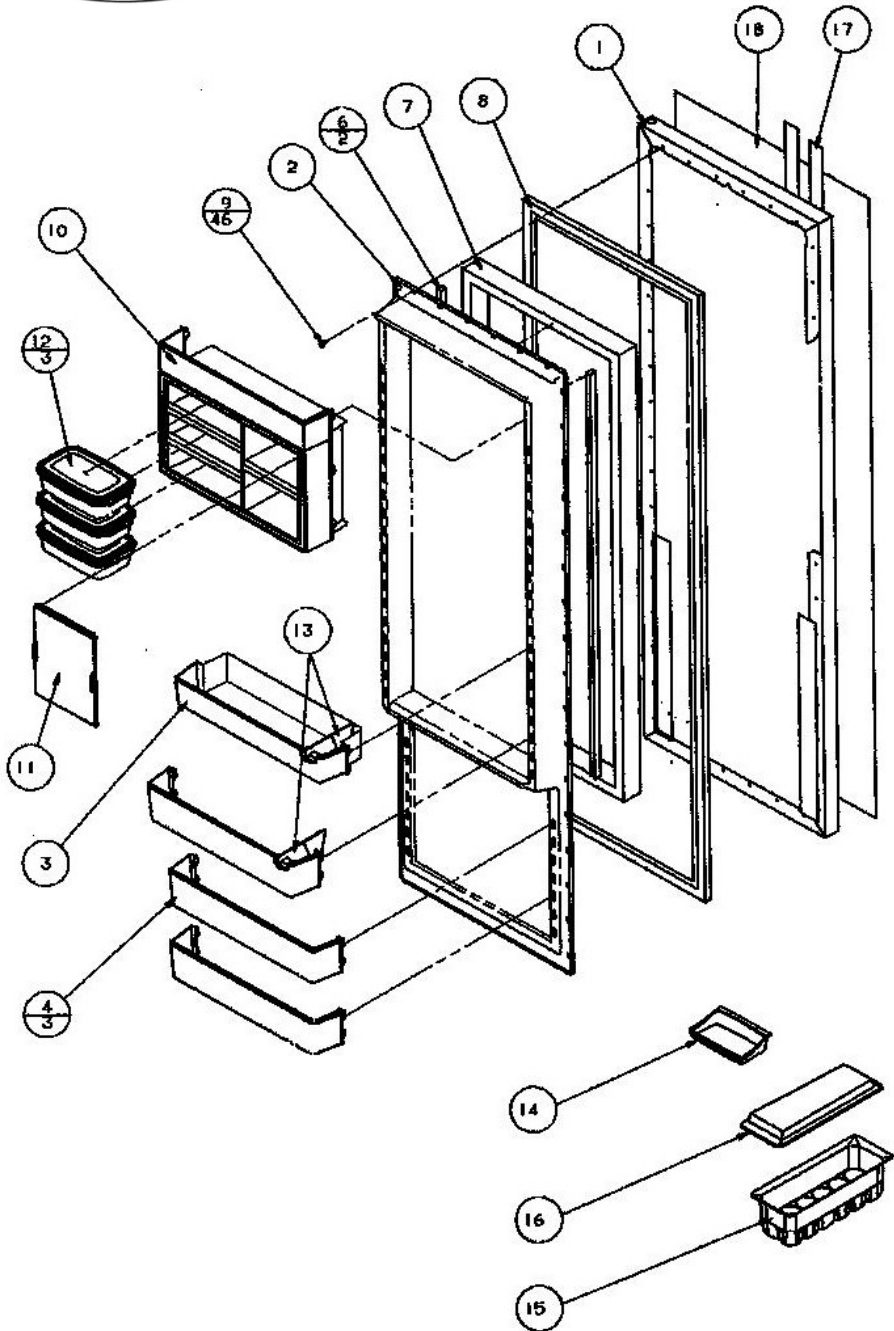
| Guía | N.P. | Descripción |
|------|----------|-----------------|
| 29 | 10356801 | HARNESS M.C. |
| 30 | D7844108 | COND FAN SHROUD |
| 31 | M0219916 | SCREW |
| 32 | M0211217 | SCREW |
| 33 | M0218118 | SCREW |
| 34 | M0221332 | SCREW, SHOULDER |
| 35 | M0223803 | SCREW |
| 37 | M0253916 | SCREW |
| 38 | M0500107 | GROMMET K |
| 39 | M0585401 | TIE, WIRE |
| 40 | M0321202 | TIE |
| 42 | B8346301 | SPACER COND. |
| 43 | D7748604 | PAN, BASE |
| 44 | D7824503 | CONDENSER PNTD |
| 45 | M0293703 | SPEEDNUT |
| 46 | M0211530 | SCREW |

Distribuidor Autorizado

SurteRápido.com

Venta de Refacciones
Electrodomesticas

Refrigerador Amana SZD25M2L





Refrigerador Amana SZD25M2L

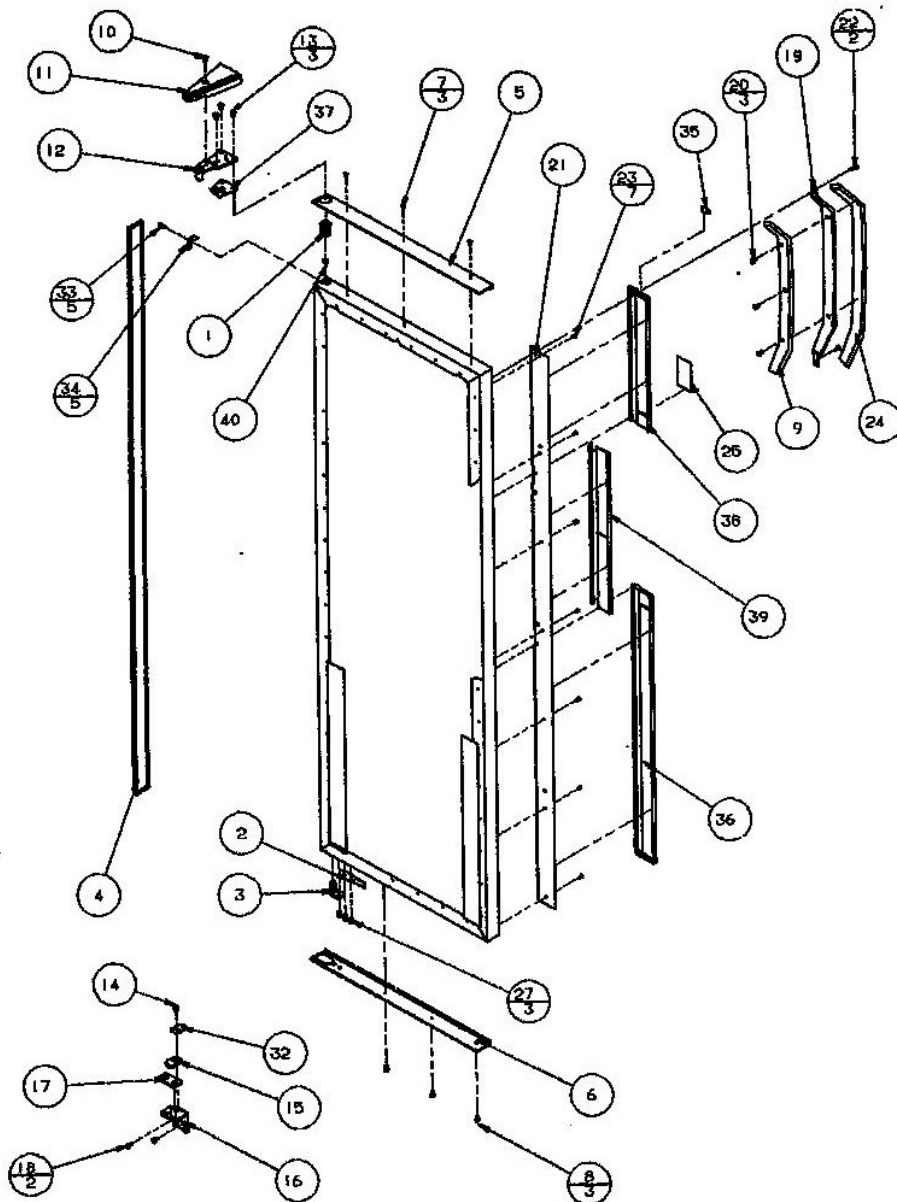
| Guía | N.P. | Descripción |
|------|------------|--------------------------|
| 1 | 10284101EQ | REF DR FOAM AS |
| 1 | 10284102LQ | ASSY, REF DOOR (ALMOND) |
| 1 | 10284102WQ | ASSY RF DR FM |
| 2 | D7828203 | INNER DOOR, REF |
| 3 | D7783314 | BUCKET-REF DOOR |
| 4 | D7783414 | SHELF, REFERIG.DOOR |
| 6 | C8987104 | SEAL, DOOR DIKE |
| 7 | B0523562 | INSUL. BY THE FT. |
| 8 | 10359701 | GASKET, DOOR (W REF) |
| 8 | 10359703 | GASKET, DOOR (E REF) |
| 9 | M0219730 | SCREW |
| 10 | D7781205 | MODULE-DAIRY |
| 11 | D7781318 | DOOR DAIRY |
| 12 | D7806405 | CONTAINER SEC. SER. |
| 13 | D7814605 | SNUGGER-DR SHELF |
| 14 | 10310901 | TRAY, BUTTER |
| 15 | D7695615 | BUCKET, EGG |
| 16 | D7805908 | COVER, EGG BUCKET |
| 17 | R0195044 | TAPE, ADHESIVE 9 FT ROLL |

Distribuidor Autorizado

SurteRápido.com

Venta de Refacciones Electrodomesticas

Refrigerador Amana SZD25M2L





Refrigerador Amana SZD25M2L

| Guía | N.P. | Descripción |
|------|----------|-------------------------|
| 1 | 10263802 | BUSHING, DOOR (WHT) |
| 2 | C8972402 | STOP, DOOR |
| 3 | D7751402 | KIT,DR CLOSURE |
| 4 | C8974102 | TRIM, DOOR |
| 5 | 10271801 | TRIM-REF DOOR TOP |
| 7 | M0210417 | SCREW, SM (STNLS) |
| 8 | M0216515 | SCREW |
| 9 | D7863002 | PAD, HANDLE INNER (WHT) |
| 9 | D7863004 | PAD, HANDLE INNER (ALM) |
| 10 | M0202336 | SCREW, MACH |
| 11 | 10126401 | HINGE COVER - CHROME |
| 11 | 10126402 | COVER HINGE BLACK |
| 12 | 10185101 | TOP HINGE-E CT |
| 13 | M0226331 | KIT, SCREW |
| 14 | M0220417 | SCREW |
| 15 | D7748301 | KIT,DR CLOSURE |
| 16 | 10163602 | RH BOT HINGE-BK E CT |
| 17 | B8386701 | KIT,BTM HINGE SHIM |
| 17 | B8386702 | KIT,BTM HINGE SHIM |
| 17 | B8386703 | KIT,BTM HINGE SHIM |
| 18 | M0233847 | SCREW |
| 19 | D7826603 | HANDLE |
| 20 | M0215116 | SCREW |
| 21 | D7793202 | REF. TRIM, RETAINER |
| 22 | M0211030 | KIT, SCREW |
| 23 | M0213815 | SCREW |
| 24 | D7863102 | PAD, HANDLE OUTER (WHT) |
| 24 | D7863104 | PAD, HANDLE OUTER (ALM) |



Refrigerador Amana SZD25M2L

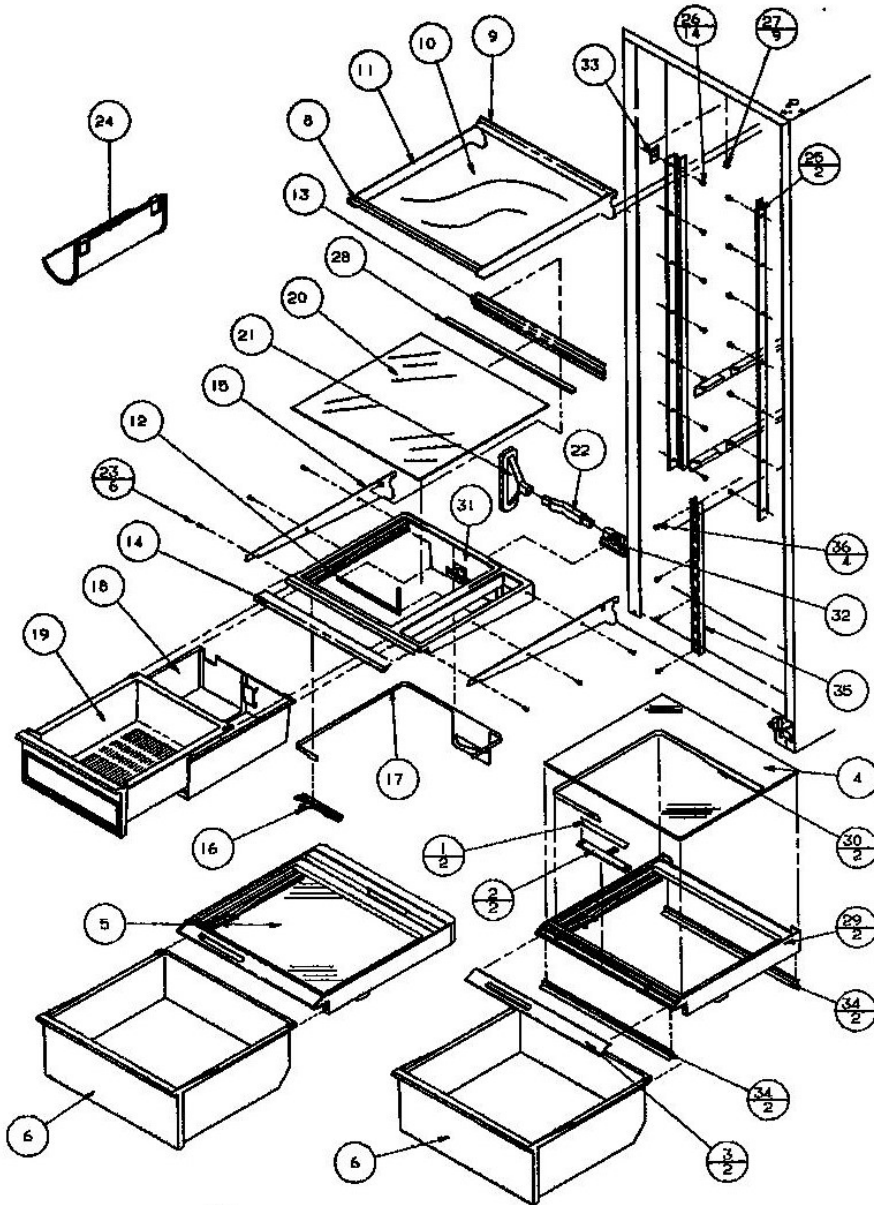
| Guía | N.P. | Descripción |
|------|----------|--------------------|
| 25 | C8984306 | THINPLATE K |
| 27 | M0211018 | SCREW, SM |
| 32 | B8387701 | SHIM, DOOR CLOSURE |
| 32 | B8387702 | SHIM, DOOR CLOSURE |
| 36 | D7792803 | TRIM LWR REF DOOR |
| 36 | D7792805 | TRIM LWR REF DOOR |
| 37 | B8389001 | SHIM, TOP HINGE |
| 38 | D7852008 | TRIM |
| 38 | D7852010 | TRIM |
| 39 | D7853803 | TRIM CENTER REF |
| 39 | D7853805 | TRIM CENTER REF DR |
| 40 | 10252902 | FILTER BUSHING |

Distribuidor Autorizado

SurteRápido.com

Venta de Refacciones
Electrodomesticas

Refrigerador Amana SZD25M2L



| Guía | N.P. | Descripción |
|------|----------|----------------------------|
| NI | 10279101 | ASSY, SPLIT SHELF |
| NI | 10279102 | GLASS, HALF SHELF ASSEMBLY |
| NI | R0179195 | CRISPER FRAME ASSY |
| NI | R0179196 | CRISPER FRAME ASSY |
| 1 | 10199906 | INSERT CRISPER SLIDE |
| 2 | 10289906 | SLIDE CRISPER CONTROL |
| 3 | D7616678 | TRIM, CRISPER FRONT |
| 4 | 10036072 | GLASS CRISPER TOP |
| 5 | D7421275 | GLASS CRISPER TOP |
| 6 | D7782124 | CRISPER PAN |
| 8 | 10049923 | TRIM, SHELF (FRONT) |
| 8 | 10049924 | TRIM, FRONT SHELF |
| 9 | C8913608 | TRIM |
| 9 | C8913613 | TRIM REAR SHELF |
| 10 | 10036061 | GLASS SHELF |
| 10 | 10036070 | GLASS, SHELF |
| 11 | D7871012 | FRAME CONT. SHELF |
| 11 | D7871014 | FRAME CANT. SHELF |
| 12 | A3030353 | GASKET |
| 13 | C8990405 | TRIM, REAR |
| 14 | 10049922 | TRIM, SHELF FRT |
| 15 | D7862932 | SIDE RAIL, M.K., L.H. |
| 15 | D7862933 | SIDE RAIL (WHITE) |
| 16 | D7859402 | SLIDE-MK CONTROL |
| 17 | D7859504 | BAND M.K. CONTROL |
| 18 | D7698112 | SLEEVE M.K. V |
| 19 | D7698333 | PAN-MEAT |
| 20 | 10036071 | GLASS, MK SHELF |



Refrigerador Amana SZD25M2L

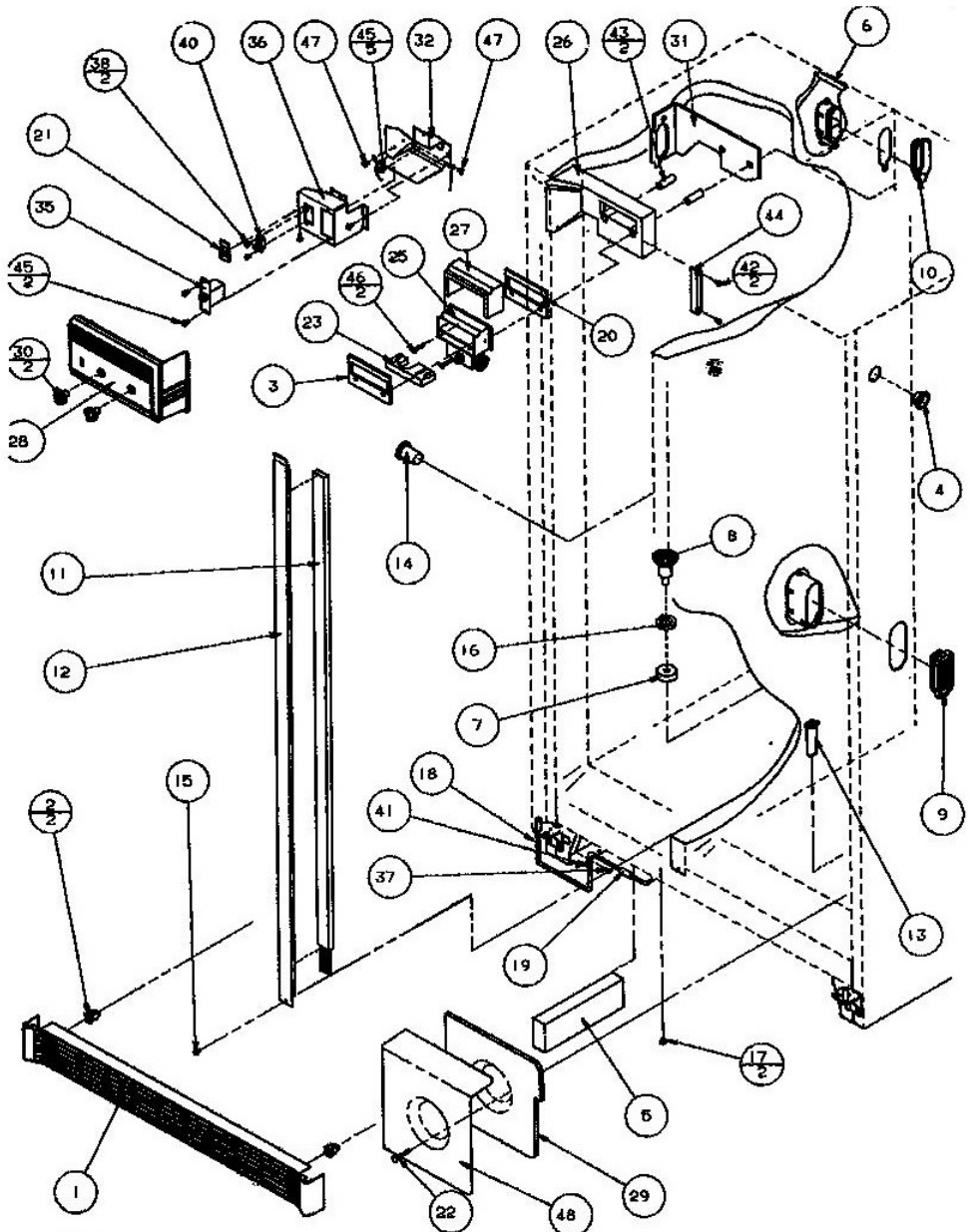
| Guía | N.P. | Descripción |
|------|----------|---------------------------------|
| 21 | D7873601 | GROMMET, MK |
| 22 | D7869001 | xDUCT M.K. AIR |
| 23 | M0230028 | SCREW, No.8-32 X 5/16 PPH (BLK) |
| 24 | D7547615 | RACK BOTTLE V |
| 25 | D7789807 | LADDER CANTILEVER |
| 26 | M0211016 | SCREW, SM |
| 27 | M0580007 | GROMMET, SCREW |
| 28 | 10043102 | EXT. REAR GLASS |
| 29 | D7853208 | FRAME |
| 29 | D7853209 | FRAME |
| 30 | D7859606 | BAND M.K. CONTROL |
| 31 | D7857005 | FRAME, M.K |
| 32 | D7869101 | EXT. AIR DUCT |
| 33 | C8992301 | BRACKET |
| 34 | D7718403 | SEAL, CRISPER FRONT |
| 34 | D7718404 | SEAL, CRISPER REAR |
| 35 | D7599003 | LADDER, CENTER |
| 36 | M0230923 | SCREW |

Distribuidor Autorizado

SurteRápido.com

Venta de Refacciones
Electrodomesticas

Refrigerador Amana SZD25M2L





Refrigerador Amana SZD25M2L

| Guía | N.P. | Descripción |
|------|----------|------------------------------|
| 1 | D7786703 | GRILLE TOE W |
| 1 | D7786704 | GRILLE TOE L V |
| 2 | M0117301 | CLIP, GRILLE |
| 3 | 10383201 | GASKET, DAMPER |
| 4 | A3187801 | RETAINER |
| 5 | B5629045 | INSULATION |
| 6 | B5705320 | TUBING, PLASTIC (WTR TANK/DO |
| 7 | B8381501 | GASKET, DRAIN TUBE |
| 8 | D7753901 | FUNNEL, DRAIN |
| 9 | D7785401 | GRILLE-RTN AIR |
| 10 | 10178001 | TUNNEL AIR SUPPLY |
| 11 | D7837501 | HEATER, MULLION |
| 12 | D7788602 | MULLION, VERT-WHITE E CT |
| 12 | D7788606 | L VT MULL-PNT |
| 12 | D7788607 | MULLION, VERT (BLACK) |
| 13 | D7793501 | GROMMET |
| 14 | A3187702 | TUNNEL, AIR |
| 15 | M0210816 | SCREW, SM |
| 16 | M0500703 | SEAL, O RING |
| 17 | M0580007 | GROMMET, SCREW |
| 18 | B5705321 | TUBE, PLASTIC , 68`` |
| 19 | B5706901 | UNION K |
| 20 | B8345401 | GASKET, DAMPER |
| 21 | B8391602 | COLLAR, SWITCH |
| 22 | C6457701 | CLIP K |
| 23 | C8902601 | INSERT, CONTROL |



Refrigerador Amana SZD25M2L

| Guía | N.P. | Descripción |
|------|----------|---------------------|
| 25 | D7547407 | CONTROL, DAMPER |
| 26 | 10176602 | AIR DUCT, WAXED |
| 27 | D7788201 | INSULATION |
| 28 | D7790320 | COVER, CONTROL |
| 29 | D7793402 | INSULATION CUT TANK |
| 30 | D7795816 | KNOB-CONTROL |
| 31 | 10177901 | GASKET, AIR DUCT |
| 32 | D7822402 | BOX, BOTTOM CONTROL |
| 35 | C3615024 | CONTROL-TEMP |
| 36 | D7868601 | BOX CONTROL TOP |
| 37 | M0211016 | SCREW, SM |
| 38 | M0234003 | SCREW |
| 40 | M0342601 | SWITCH, HEATER |
| 41 | M0102301 | CLAMP |
| 42 | M0211021 | SCREW 1`` |
| 43 | A3044208 | SPACER DAMPER |
| 44 | C8977301 | CLAMP |
| 45 | M0211217 | SCREW |
| 46 | M0216539 | SCREW |
| 47 | M0232903 | SCREW |
| 48 | D7879301 | COVER, TANK |