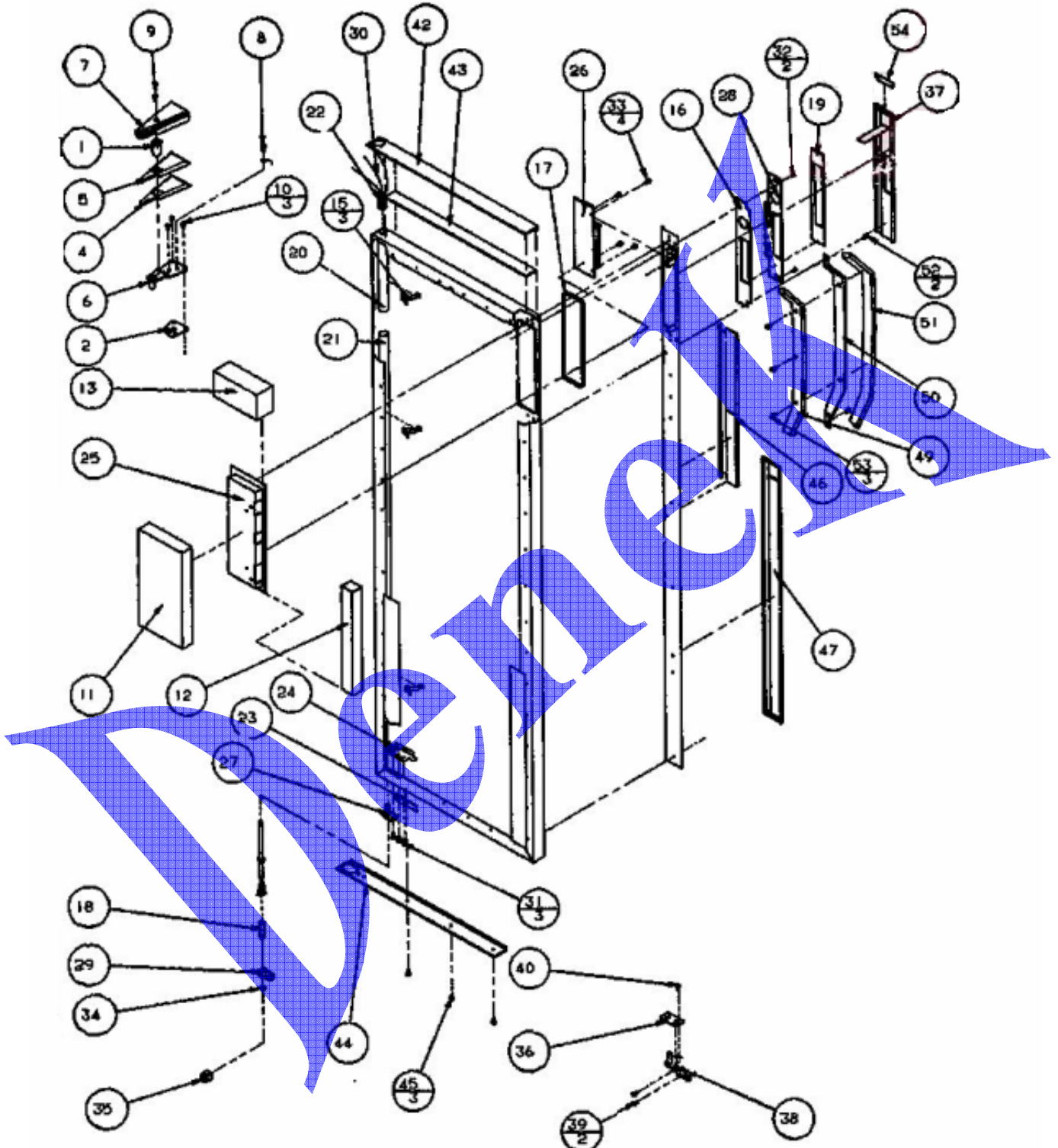


REFRIGERADOR MTG MOD. SZDE25KP

DRAIN AND ROLLERS



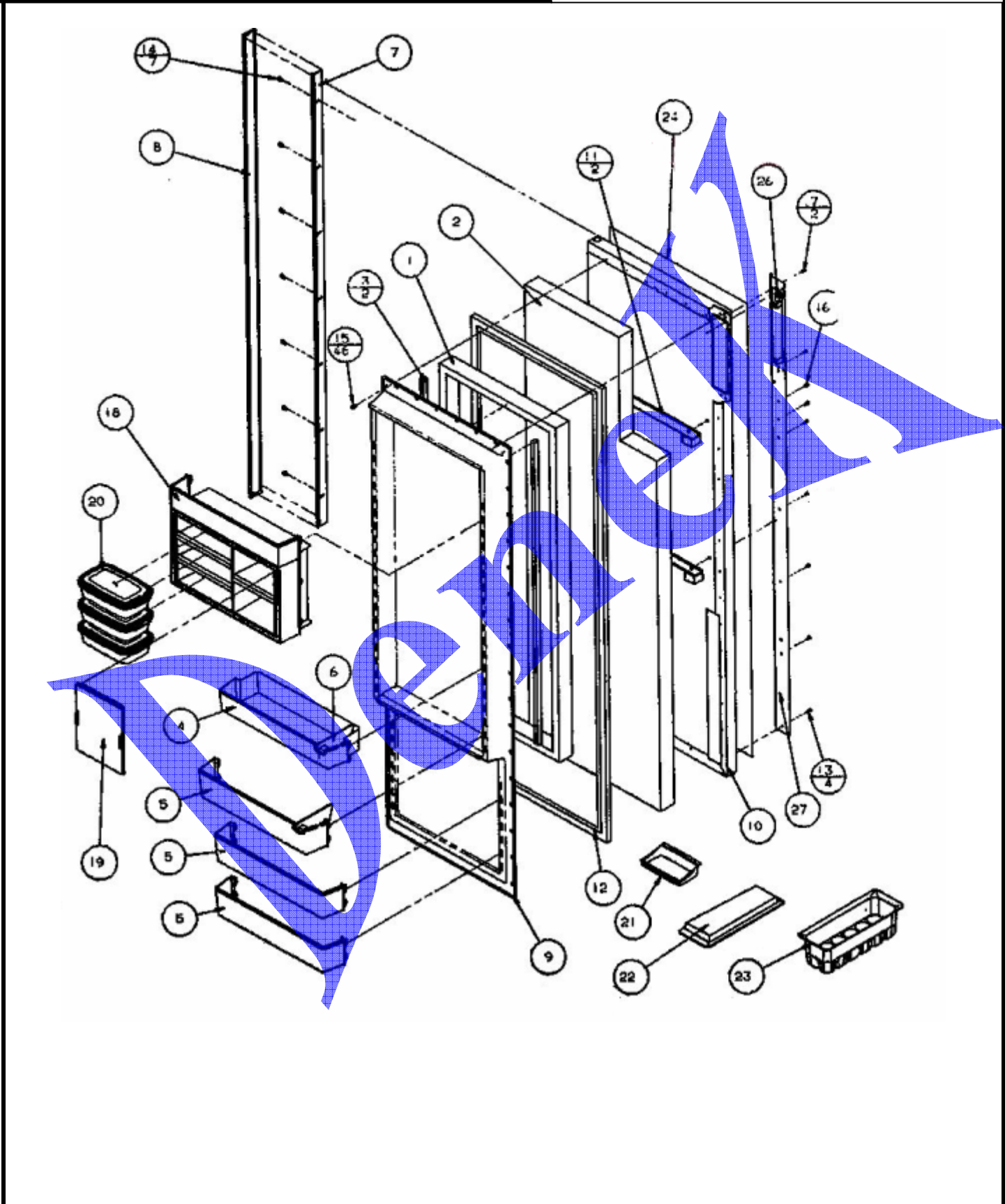
REFRIGERADOR MTG MOD. SZDE25KP

DRAIN AND ROLLERS

NUMERO	N.DE PARTE	DESCRIPCION
1	A3012532	TUBING PLASTIC
2	B8389001	SHIM, TOP HINGE
4	C8976001	INSULATOR, HINGE COVER
5	C8987901	FOIL, HINGE COVER
6	D7757803	TOP HINGE ASSY
7	D7789505	HINGE COVER BLK.
8	M0202321	SCREW, MACH
9	M0202336	SCREW, MACH
10	M0257244	KIT, SCREW
11	B5612028	INSULATION BATT
12	B5629046	INSULATION
13	B5629047	INSULATION
15	B8388801	CLIP
16	B8390401	GASKET TRIM
17	B8390501	GASKET RETAINER K
18	B8390701	ASSY, HINGE PIN
19	B8392301	BRACKET, GASKET
20	C8964202	TUBE, PROTECTIVE
21	C8964203	TUBE, PROTECTIVE
22	C8964401	BUSHING, TOP
23	C8972402	STOP, DOOR
23	C8972401	STOP, DOOR (BLK)
24	D7790801	NUT, DOOR STOP
25	D7832901	COVER, PC BOARD
26	10024501	BOARD, LOW VOLT PC
27	D7833201	CLOSURE, DOOR (WHITE)
28	D7833501	BRACKET TRIM
29	D7838401	CLOSURE, DOOR (WHITE)
30	10030301	HARNES, REF DOOR
31	M0219717	SCREW
32	M0230727	SCREW
33	M0217204	SCREW
34	M0273001	ASSY, HINGE PIN
35	M0335408	CONNECTOR
36	B8386701	KIT, BTM HINGE SHIM
36	B8386702	KIT, BTM HINGE SHIM
36	B8386703	KIT, BTM HINGE SHIM
37	D7834215	ASSY, UP TRIM KEYBOARD
37	D7834213	ASSY, UP TRIM (WHITE)
37	D7834214	UPPER TRIM KEYBOARD ASSY
38	D7833101	BOTTOM HINGE ASSEMBLY
39	M0246258	SCREW
40	M0203931	SCREW, TF
42	D7872204	TRIM REF, DR, TOP
43	M0275148	TAPE PER ROLL K
44	D7872301	TRIM
45	M0216515	SCREW
46	D7853802	TRIM CENTER REFR K
46	D7853803	TRIM CENTER REF
46	D7853805	TRIM CENTER REF DR
47	D7792802	LOWER TRIM REF DOOR K
47	D7792803	TRIM LWR REF DOOR
47	D7792805	TRIM LWR REF DOOR
49	D7863001	INNER PAD K
49	D7863002	PAD, HANDLE INNER (WHT)
49	D7863004	PAD, HANDLE INNER (ALM)
50	D7826603	HANDLE
51	D7863101	OUTER PAD K
51	D7863102	PAD, HANDLE OUTER (WHT)
51	D7863104	PAD, HANDLE OUTER (ALM)
52	M0253942	SCREW
53	M0215115	SCREW
54	C8972304	SHIM

REFRIGERADOR MTG MOD. SZDE25KP

GABINETE TRASERO



REFRIGERADOR MTG MOD. SZDE25KP

GABINETE TRASERO

NUMERO	N.DE PARTE	DESCRIPCION
1	B0523562	INSUL. BY THE FT.
2	B0566725	INSULATION, BATT
3	C8987104	SEAL, DOOR DIKE
4	D7783308	BUCKET, REF DOOR
5	D7783408	SHELF, REF. DOOR
6	D7814606	SNUGGER-DR SHELF
7	10015401	RETAINER VERT. TRIM
8	D7877601	TRIM
9	D7828703	INNER DOOR LINER REF
10	D7882727	DOOR, REF, BLACK Q
10	D7882706	PAN, REF DOOR, WHITE
10	D7882708	PAN, REF DOOR, ALMOND
11	D7837402	SUPPORT, HANDLE
12	10104401	GASKET, DOOR (W REF)
13	M0213815	SCREW
14	M0223004	SCREW
15	M0219717	SCREW
16	M0233329	SCREW, SM
17	M0237515	SCREW
18	D7781202	MODULE-DAIRY
19	D7781312	DOOR DAIRY
20	D7806403	CONTAINER SEC. SER.
21	D3799802	BUTTER TRAY
22	D7805908	COVER, EGG BUCKET
23	D7695615	BUCKET, EGG
24	10096904	PANEL BLACK GLASS
26	B5733302	CLIP, GROUND
27	D7832402	TRIM

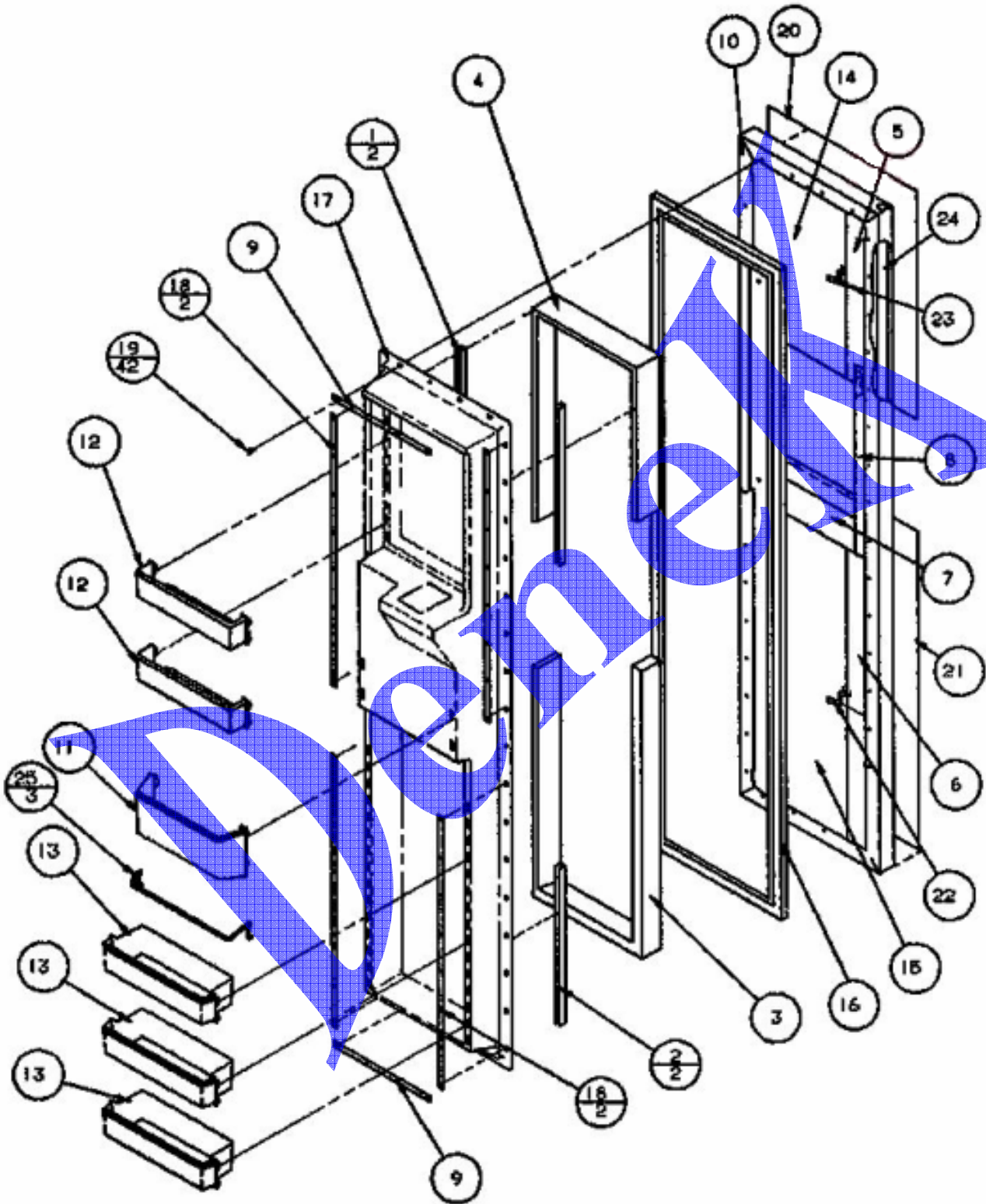
REFRIGERADOR MTG MOD. SZDE25KP

PUERTA CONGELADOR

NUMERO	N.DE PARTE	DESCRIPCION
1	D7863001	INNER PAD K
1	D7863002	PAD, HANDLE INNER (WHT)
1	D7863004	PAD, HANDLE INNER (ALM)
2	D7863101	OUTER PAD K
2	D7863102	PAD, HANDLE OUTER (WHT)
2	D7863104	PAD, HANDLE OUTER (ALM)
3	D7826603	HANDLE
4	M0215115	SCREW
5	M0253942	SCREW
6	C8964401	BUSHING, TOP
7	C8972303	SHIM
8	C8972402	STOP, DOOR
8	C8972401	STOP, DOOR (BLK)
9	D7751401	KIT,DR CLOSURE
10	D7852102	TRIM UPPER FRZ DOOR (B)
10	D7852103	UPPER TRIM FRZ DR (W)
10	D7852105	UPPER TRIM FRZ DR (L)
11	D7854002	TRIM CENTER FRZ (B)
11	D7854003	TRIM CENTER FRZ (W)
11	D7854005	TRIM CENTER FRZ (L)
12	D7792702	LOWER TRIM FRZ DOOR (B)
12	D7792703	TRIM, LWR FRZ DOOR (W)
12	D7792705	TRIM, LWR FRZ DOOR (L)
13	D7793002	RETAINER, TRIM
14	D7793102	RETAINER, TRIM
15	D7877601	TRIM
16	10015401	RETAINER VERT. TRIM
17	D7872403	TRIM, FZ DR. TOP
18	D7872501	TRIM
19	D7837401	SUPPORT, HANDLE
20	M0213815	SCREW
21	M0216515	SCREW
22	D7790801	NUT, DOOR STOP
23	M0219717	SCREW
24	M0275148	TAPE PER ROLL K
25	C8976001	INSULATOR, HINGE COVER
26	C8987901	FOIL, HINGE COVER
27	D7757803	TOP HINGE ASSY
28	D7789504	HINGE COVER
29	M0202336	SCREW, MACH
30	M0257244	KIT, SCREW
31	B8389001	SHIM, TOP HINGE
33	M0202321	SCREW, MACH
34	10030202	HARNES, FREEZER DR
37	D7748301	KIT,DR CLOSURE
38	D7757705	HINGE ASSY
39	B8386701	KIT,BTM HINGE SHIM
39	B8386702	KIT,BTM HINGE SHIM
39	B8386703	KIT,BTM HINGE SHIM
40	M0246258	SCREW
41	M0202530	SCREW
42	B5705308	TUBING PLASTIC
43	M0232903	SCREW
44	A3012532	TUBING PLASTIC
45	M0223004	SCREW

REFRIGERADOR MTG MOD. SZDE25KP

PUERTA CONGELADOR (II)



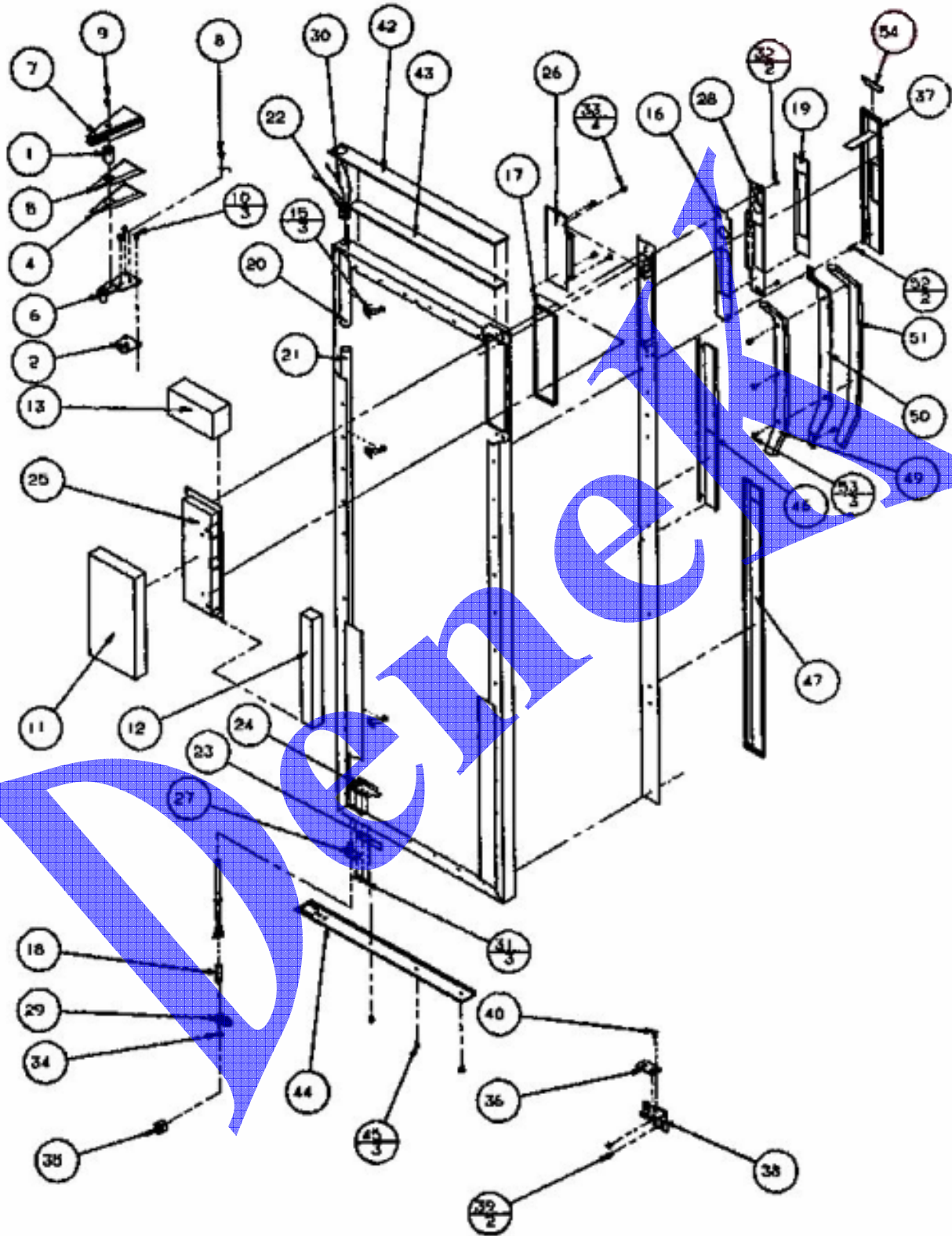
REFRIGERADOR MTG MOD. SZDE25KP

PUERTA CONGELADOR (II)

NUMERO	N.DE PARTE	DESCRIPCION
1	C8987101	SEAL, DOOR DIKE
2	C8987103	SEAL, DOOR DIKE
3	B0523562	INSUL. BY THE FT.
4	B0523583	INSULATION, PER FT.
5	B5629049	INSULATION
6	B5629050	INSULATION
7	B5629048	INSULATION
8	B5629051	INSULATION
9	C8982801	RETAINER, DOOR LINER
10	D7882710	*DOOR FRZ W
10	D7882712	DOOR FRZ L
10	D7882728	DOOR FRZ BLACK Q
11	D7783507	SHELF, FRZ DR. HALF
12	D7783606	SHELF FRZ DR.
13	D7783706	BUCKET FZ. DOOR
14	D7800404	FOAM SLAB DOOR
15	D7800405	FOAM SLAB DOOR
16	D7870904	GASKET (W FRZ DR)
17	D7828903	INNER DOOR LINER, FRZ
18	D7828601	RETAINER, DOOR LINER
19	M0219717	SCREW
20	C8823635	PANEL BLACK GLASS
21	C8823636	PANEL BLACK GLASS
22	B8388701	CLIP
23	B8388801	CLIP
24	C8964201	TUBE, PROTECTIVE
25	D7835602	RETAINER, PACKAGE

REFRIGERADOR MTG MOD. SZDE25KP

PUERTA ENFRIADOR



REFRIGERADOR MTG MOD. SZDE25KP

PUERTA ENFRIADOR

NUMERO	N.DE PARTE	DESCRIPCION
1	A3012532	TUBING PLASTIC
2	B8389001	SHIM, TOP HINGE
4	C8976001	INSULATOR, HINGE COVER
5	C8987901	FOIL, HINGE COVER
6	D7757803	TOP HINGE ASSY
7	D7789504	HINGE COVER
8	M0202321	SCREW, MACH
9	M0202336	SCREW, MACH
10	M0257244	KIT, SCREW
11	B5612028	INSULATION BATT
12	B5629046	INSULATION
13	B5629047	INSULATION
15	B8388801	CLIP
16	B8390401	GASKET TRIM
17	B8390501	GASKET RETAINER K
18	B8390701	ASSY, HINGE PIN
19	B8392301	BRACKET, GASKET
20	C8964202	TUBE, PROTECTIVE
21	C8964203	TUBE, PROTECTIVE
22	C8964401	BUSHING, TOP
23	C8972402	STOP, DOOR
23	C8972401	STOP, DOOR (BLK)
24	D7790801	NUT, DOOR STOP
25	D7832901	COVER, PC BOARD
26	10024501	BOARD - LOW VOLT PC
27	D7833201	CLOSURE, DOOR (WHITE)
28	D7833501	BRACKET TRIM
29	D7838401	CLOSURE, DOOR (WHITE)
30	10030301	HARNES, REF DOOR
31	M0219717	SCREW
32	M0230727	SCREW
33	M0217204	SCREW
34	M0273001	ASSY, HINGE PIN
35	M0335408	CONNECTOR
36	B8386701	KIT,BTM HINGE SHIM
36	B8386702	KIT,BTM HINGE SHIM
36	B8386703	KIT,BTM HINGE SHIM
37	D7834215	ASSY, UP TRIM KEYBOARD
37	D7834213	ASSY, UP TRIM (WHITE)
37	D7834214	UPPER TRIM KEYBOARD ASSY
38	D7833101	BOTTOM HINGE ASSEMBLY
39	M0246258	SCREW
40	M0203931	SCREW, TF
42	D7872204	TRIM REF. DR. TOP
43	M0275148	TAPE PER ROLL K
44	D7872301	TRIM
45	M0216515	SCREW
46	D7853802	TRIM CENTER REFR K
46	D7853803	TRIM CENTER REF
46	D7853805	TRIM CENTER REF DR
47	D7792802	LOWER TRIM REF DOOR K
47	D7792803	TRIM LWR REF DOOR
47	D7792805	TRIM LWR REF DOOR
49	D7863001	INNER PAD K
49	D7863002	PAD, HANDLE INNER (WHT)
49	D7863004	PAD, HANDLE INNER (ALM)
50	D7826603	HANDLE
51	D7863101	OUTER PAD K
51	D7863102	PAD, HANDLE OUTER (WHT)
51	D7863104	PAD, HANDLE OUTER (ALM)
52	M0253942	SCREW
53	M0215115	SCREW
54	C8972304	SHIM

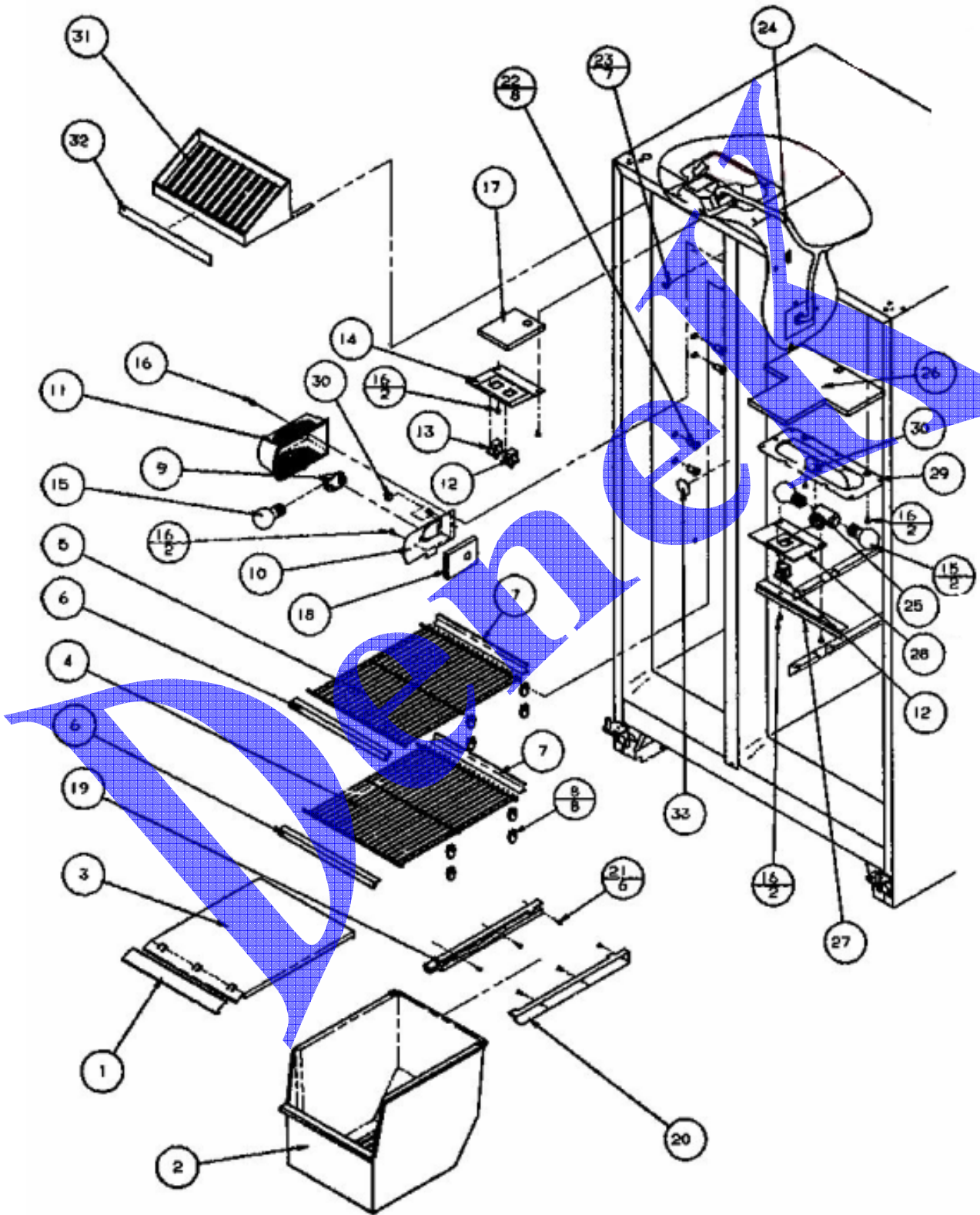
REFRIGERADOR MTG MOD. SZDE25KP

PUERTA ENFRIADOR (II)

NUMERO	N.DE PARTE	DESCRIPCION
1	B0523562	INSUL. BY THE FT.
2	B0566725	INSULATION, BATT
3	C8987404	SEAL, DOOR DIKE
4	D7783308	BUCKET, REF DOOR
5	D7783408	SHELF, REF. DOOR
6	D7814606	SNUGGER-DR SHELF
7	10015401	RETAINER VERT. TRIM
8	D7877601	TRIM
9	D7828703	INNER DOOR LINER REF
10	D7882727	DOOR, REF, BLACK Q
10	D7882706	PAN, REF DOOR, WHITE
10	D7882708	PAN, REF DOOR, ALMOND
11	D7837402	SUPPORT, HANDLE
12	10104401	GASKET, DOOR (W REF)
13	M0213815	SCREW
14	M0223004	SCREW
15	M0219717	SCREW
16	M0233329	SCREW,SM
17	M0237515	SCREW
18	D7781202	MODULE-DAIRY
19	D7781312	DOOR DAIRY
20	D7806403	CONTAINER SEC. SER.
21	D3799802	BUTTER TRAY
22	D7805908	COVER, EGG BUCKET
23	D7695615	BUCKET, EGG
24	C8823637	PANEL BLACK GLASS
26	B5733302	CLIP, GROUND
27	D7832402	TRIM

REFRIGERADOR MTG MOD. SZDE25KP

ANAQUELES DEL CONGELADOR



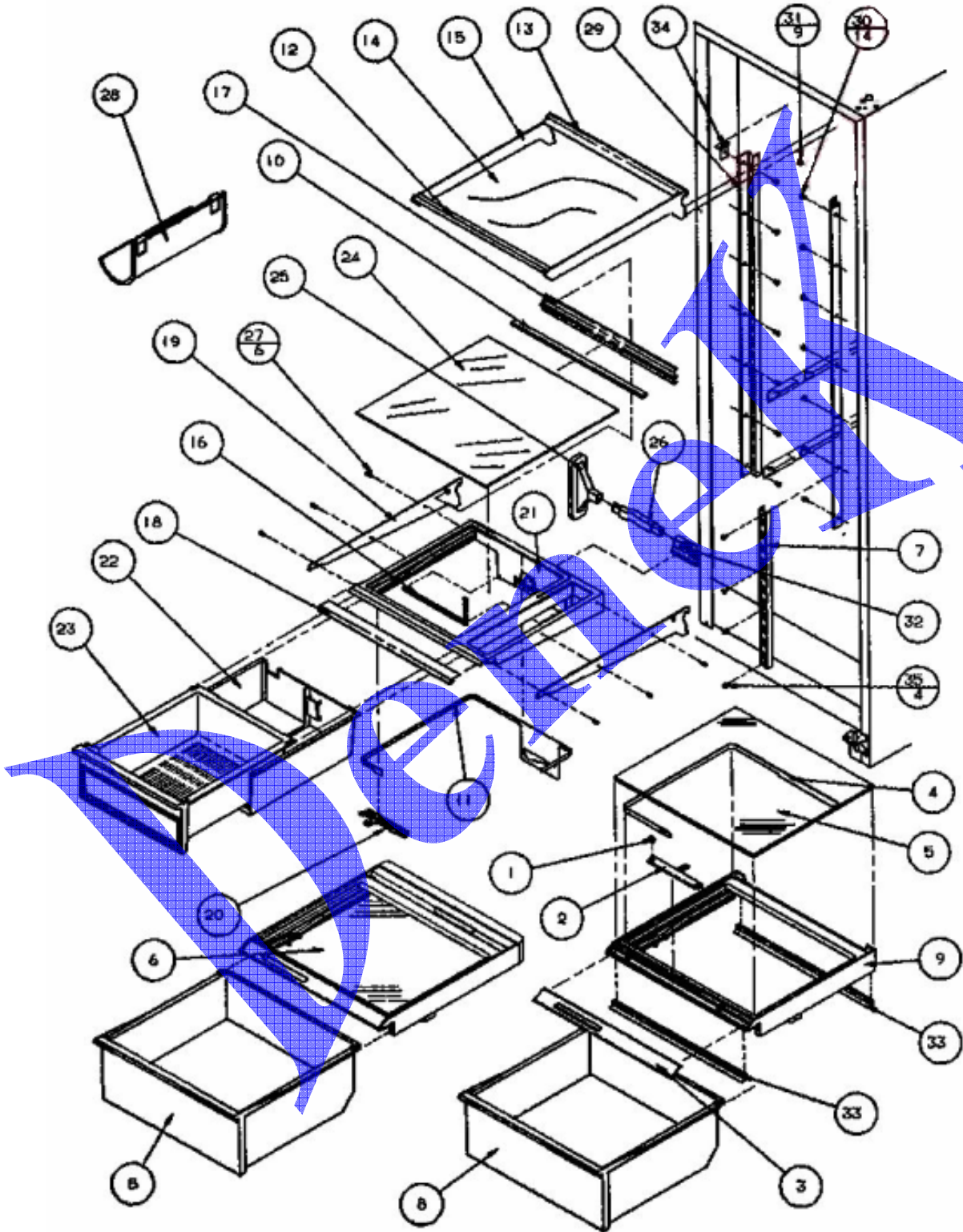
REFRIGERADOR MTG MOD. SZDE25KP

ANAQUELES DEL CONGELADOR

NUMERO	N.DE PARTE	DESCRIPCION
1	D7616625	TRIM
2	D7781408	BASKET FREEZER CLEAR
3	D7781504	FREEZER SHELF
4	D7788314	SHELF FZ WIRE
5	D7788315	SHELF, FRZ WIRE
6	C8913519	TRIM
7	C8913609	TRIM
8	C8973801	SUPPORT, FRZ SHELF
9	D7714402	SOCKET-LIGHT
10	D7753501	PLATE LT. SOCKET
11	D7786601	SHIELD, FRZ LIGHT
12	C8983802	SWITCH, MC LIGHT
13	C8983801	SWITCH, FAN
14	D7749001	COVER LIGHT
15	A0282803	BULB, LIGHT (40 WATT)
16	M0230917	SCREW
17	C8976401	BARRIER @ FRZ.
18	C8974501	BARRIER, FRZ SIDE
19	D7849903	GLIDE-L FZ
20	D7849904	GLIDE, FREEZER RH
21	M0213529	SCREW
22	C8973701	PLUG, FRZ SHELF SUPPORT
23	M0580007	GROMMET, SCREW
24	10030001	HARNESS, OUTER LINER
25	D7808602	SOCKET, DUAL LAMP
26	C8778301	INSULATION
27	10014708	SHIELD, LIGHT
28	D7297602	COVER, LIGHT SW
29	D7716403	HOUSING-REF LIGHT
30	B5733302	CLIP, GROUND
31	D7839701	RACK, JUICE V
32	C8986105	INSERT, JUICE RACK
33	A3069103	PLUG

REFRIGERADOR MTG MOD. SZDE25KP

ANAQUELES DEL ENFRIADOR



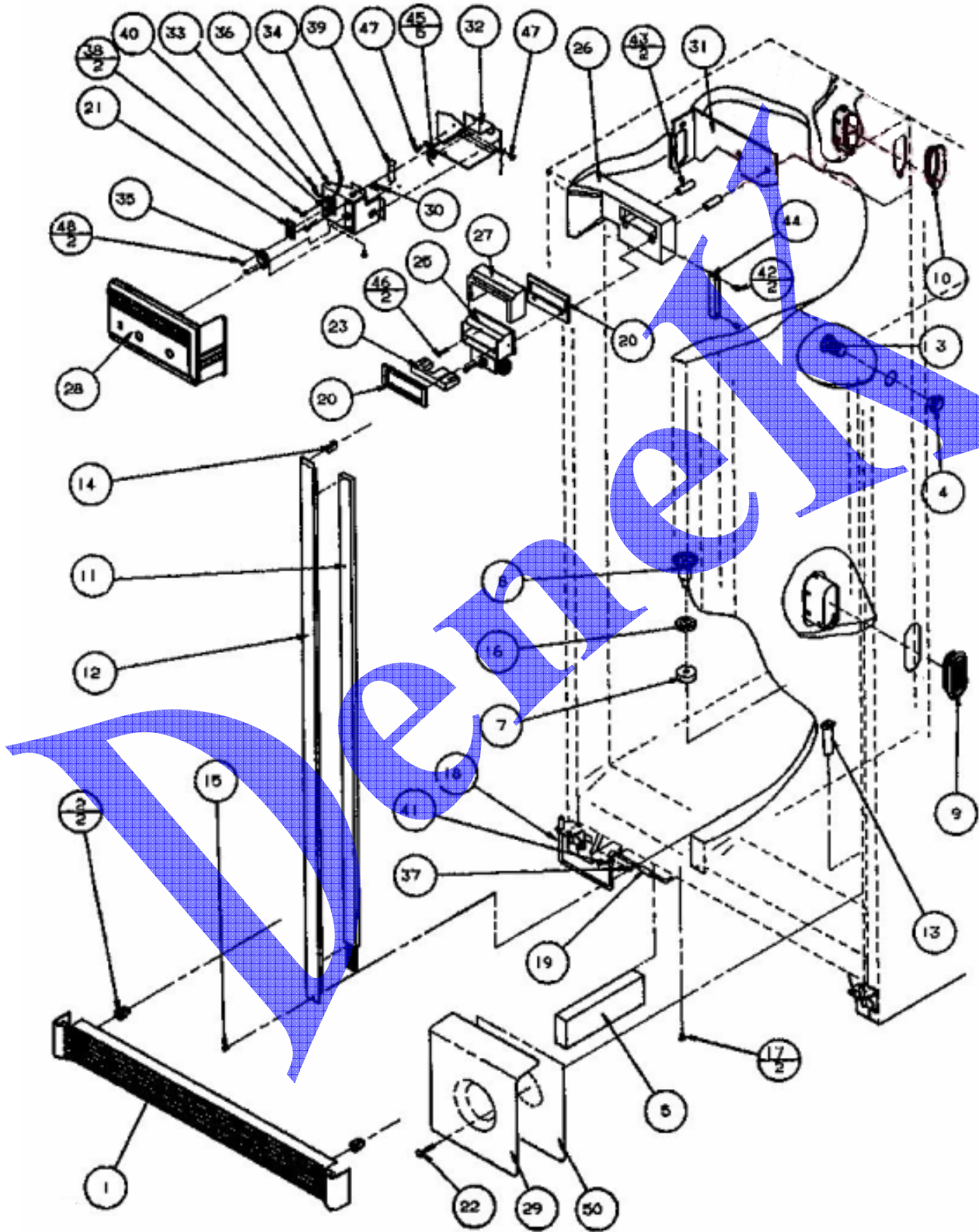
REFRIGERADOR MTG MOD. SZDE25KP

ANAQUELES DEL ENFRIADOR

NUMERO	N.DE PARTE	DESCRIPCION
1	10038403	KNOB, CRISPER CONTROL
2	D7860603	SLIDE
3	D7616630	TRIM
4	D7859604	BAND M.K. CONTROL
5	D7421275	GLASS CRISPER TOP
6	10036013	GLASS CRISPER TOP
7	D7599003	LADDER, CENTER
8	D7782118	CRISPER PAN
9	D7853208	FRAME
9	D7853209	FRAME
10	10043102	EXT. REAR GLASS
11	D7859504	BAND M.K. CONTROL
12	C8913518	TRIM
12	C8913540	TRIM FRONT SHELF
13	C8913613	TRIM REAR SHELF
13	C8913608	TRIM
14	10036011	GLASS SHELF
14	10036015	GLASS SHELF
15	D7871014	FRAME CANT. SHELF
15	D7871012	FRAME CONT. SHELF
16	A3030349	GASKET
17	C8990405	TRIM, REAR
18	C8913520	TRIM
19	D7862932	SIDE RAIL, M.K., L.H.
19	D7862933	SIDE RAIL (WHITE)
20	D7859402	SLIDE MK CONTROL
21	D7857005	FRAME, M.K.
22	D7698112	SLEEVE M.K. V
23	D7698328	MEAT PAN
24	10036012	GLASS MK SHELF
25	D7873601	GROMMET, MK
26	D7869001	DUCT M.K. AIR
27	M0230028	SCREW, #8-32 X 5/16 PPH (BLK)
28	D7547612	RACK, BOTTLE
29	D7789807	LADDER CANTILEVER
30	M0211017	SCREW SM #8-1/2LG
31	M0580007	GROMMET, SCREW
32	D7869101	EXT. AIR DUCT
33	D7718401	SEAL MEAT PAN
33	D7718403	SEAL, CRISPER FRONT
34	C8992301	BRACKET
35	M0230923	SCREW
9999	R0179146	CRISPER TOP ASSY
9999	R0179147	GLASS CRISPER TOP ASSY
9999	D7871821	GLASS SHELF ASSY
9999	D7871819	GLASS SHELF ASSY

REFRIGERADOR MTG MOD. SZDE25KP

CONTROLES



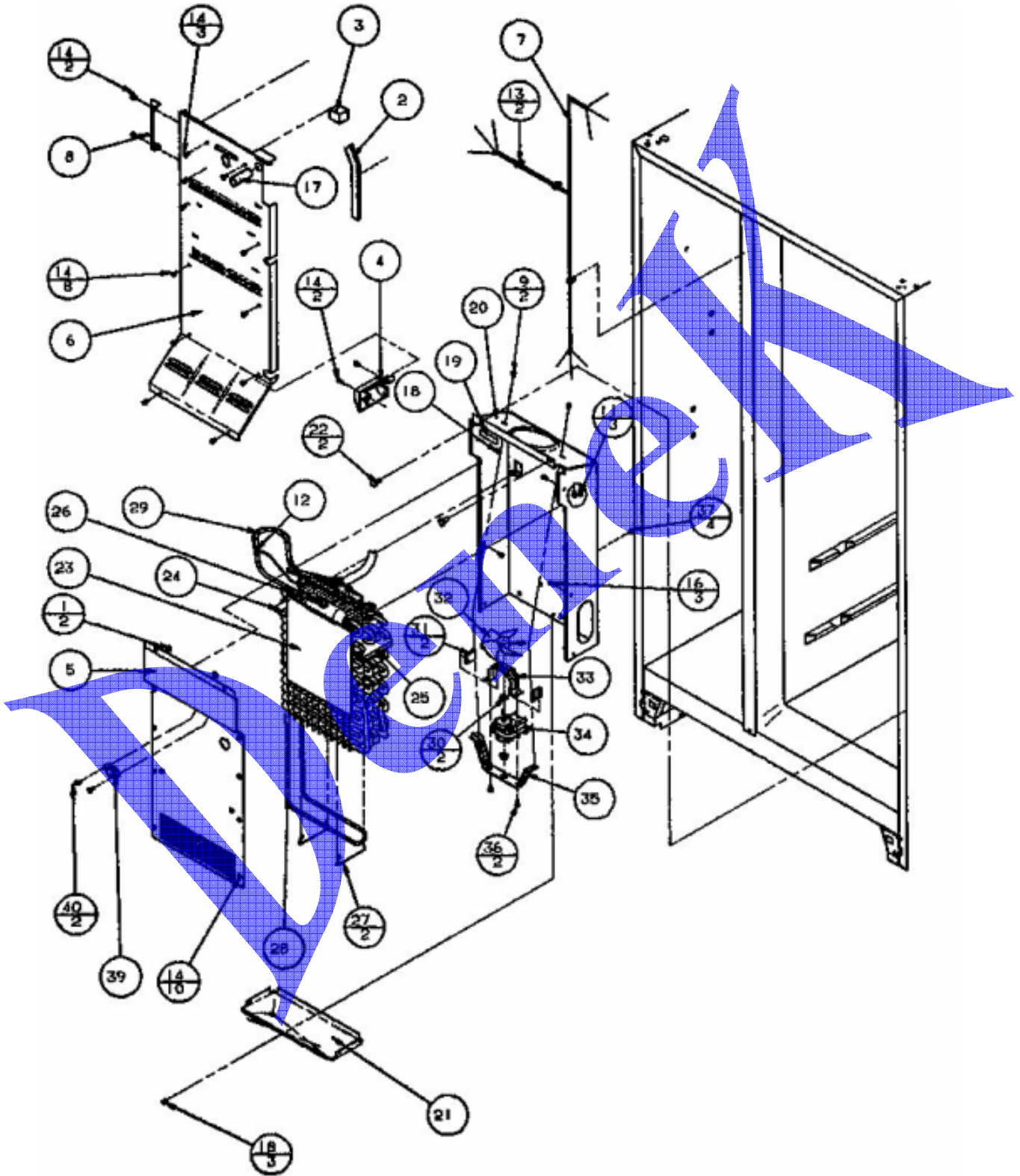
REFRIGERADOR MTG MOD. SZDE25KP

CONTROLES

NUMERO	N.DE PARTE	DESCRIPCION
1	D7786702	GRILLE, TOE BLACK
1	D7786703	GRILLE TOE W
1	D7786704	GRILLE TOE L V
2	M0117301	CLIP, GRILLE
3	A3187702	TUNNEL, AIR
4	A3187801	RETAINER
5	B5629045	INSULATION
7	B8381501	GASKET, DRAIN TUBE
8	D7753901	FUNNEL, DRAIN
9	D7785401	GRILLE-RTN AIR
10	D7785501	TUNNEL, AIR SUPPLY
11	D7837503	HEATER, MULLION
12	D7788607	MULLION, VERT (BLACK)
12	D7788602	MULLION, VERT-WHITE E CT
12	D7788606	L V T MULL-PNT
13	D7793501	GROMMET
14	M0113604	CLIP
15	M0210816	SCREW, SM
16	M0500703	SEAL, O RING
17	M0580007	GROMMET, SCREW
18	B5705308	TUBING PLASTIC
19	B5706901	UNION K
20	B8345401	GASKET, DAMPER
21	B8391602	COLLAR, SWITCH
22	C6457701	CLIP K
23	C8902601	INSERT, CONTROL
25	D7832702	CONTROL-DAMPER
26	D7749902	D77499020
27	D7788201	INSULATION
28	D7790313	COVER, CONTROL
29	D7879301	COVER, TANK
30	A4554806	SNAP BUSHING
31	D7819101	GASKET AIR DUCT
32	D7822401	BOTTOM, CONT. BOX
33	A3221103	WIRE JUMPER
34	A3221104	WIRE JUMPER
35	C8983701	THERMISTOR DOMESTIC
36	D7832801	TOP, CONT. BOX
37	M0211016	SCREW, SM
38	M0234003	SCREW
39	M0305301	DIODE
40	M0342601	SWITCH, HEATER
41	M0102301	CLAMP
42	M0211021	SCREW 1"
43	A3044208	SPACER DAMPER
44	C8977301	CLAMP
45	M0211217	SCREW
46	M0216539	SCREW
47	M0232903	SCREW
48	M0216515	SCREW
50	D7793402	INSULATION CUT TANK

REFRIGERADOR MTG MOD. SZDE25KP

EVAPORADOR



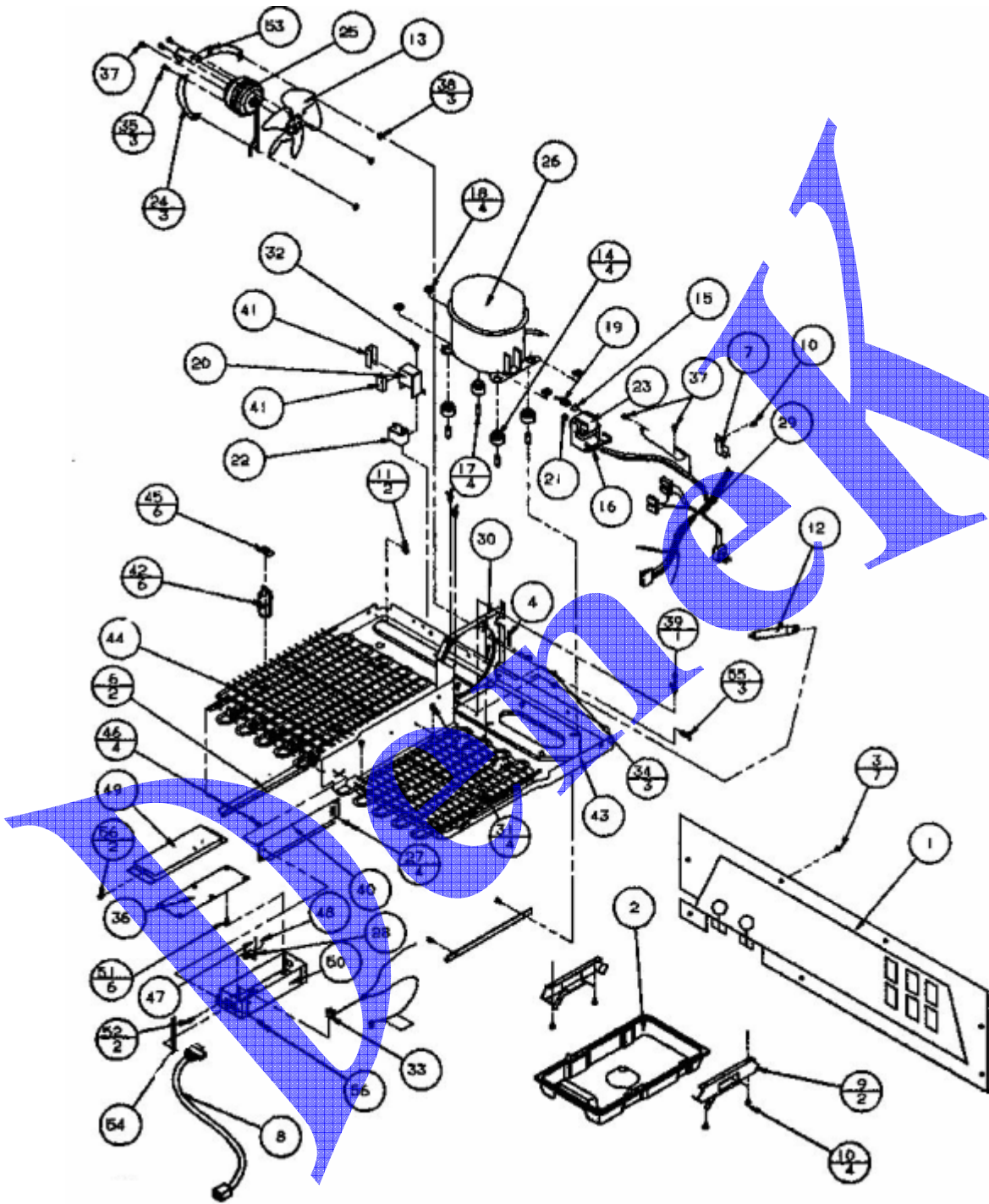
REFRIGERADOR MTG MOD. SZDE25KP

EVAPORADOR

NUMERO	N.DE PARTE	DESCRIPCION
1	B8324801	CLIP GROUND
2	B8386602	GASKET
3	C8976102	GASKET, AIR BLOCK
4	D7786902	COVER, M.K. AIR
5	D7865902	COVER EVAP
6	D7821101	BACK, INNER FRZ
7	D7868302	HARNES. INNER LINER
8	D7838301	COVER, SUPPLY AIR
9	M0211217	SCREW
11	M0232903	SCREW
12	M0321202	TIE
13	M0322202	TIE WIRE
14	M0230917	SCREW
16	M0211018	SCREW, SM
17	A3127410	EXT, FILL TUBE
18	10098801	RIVET
19	B5757707	GASKET, FOAM
20	D7865802	SHIELD
21	D7850202	DRIP TRAY PNT.
22	M0580003	GROMMET
23	B8327901	GASKET, EVAP.
24	B8385502	BLOCK-LH AIR COIL
25	B8385601	BLOCK P.M AIR COIL
26	C8972007	KIT, THERMOSTAT
27	C8983101	CLIP, EVAP. HEATER
28	D7872801	HEATER, DEFROST
29	R0170031	ASSY,LOW SIDE-THIN WALL EVAP
30	A1017202	GROMMET
31	A1047901	SHIM
32	C8795501	FAN EVAP
33	C8881301	BRKT EVAP FAN
34	C8891601	MOTOR, EVAP FAN
35	D7767701	BRACKET, MOTOR SHROUD
36	M0219916	SCREW
37	M0580002	GROMMET A
39	C8983701	THERMISTOR DOMESTIC
40	M0211016	SCREW, SM

REFRIGERADOR MTG MOD. SZDE25KP

ANAQUELES ENFRIADOR



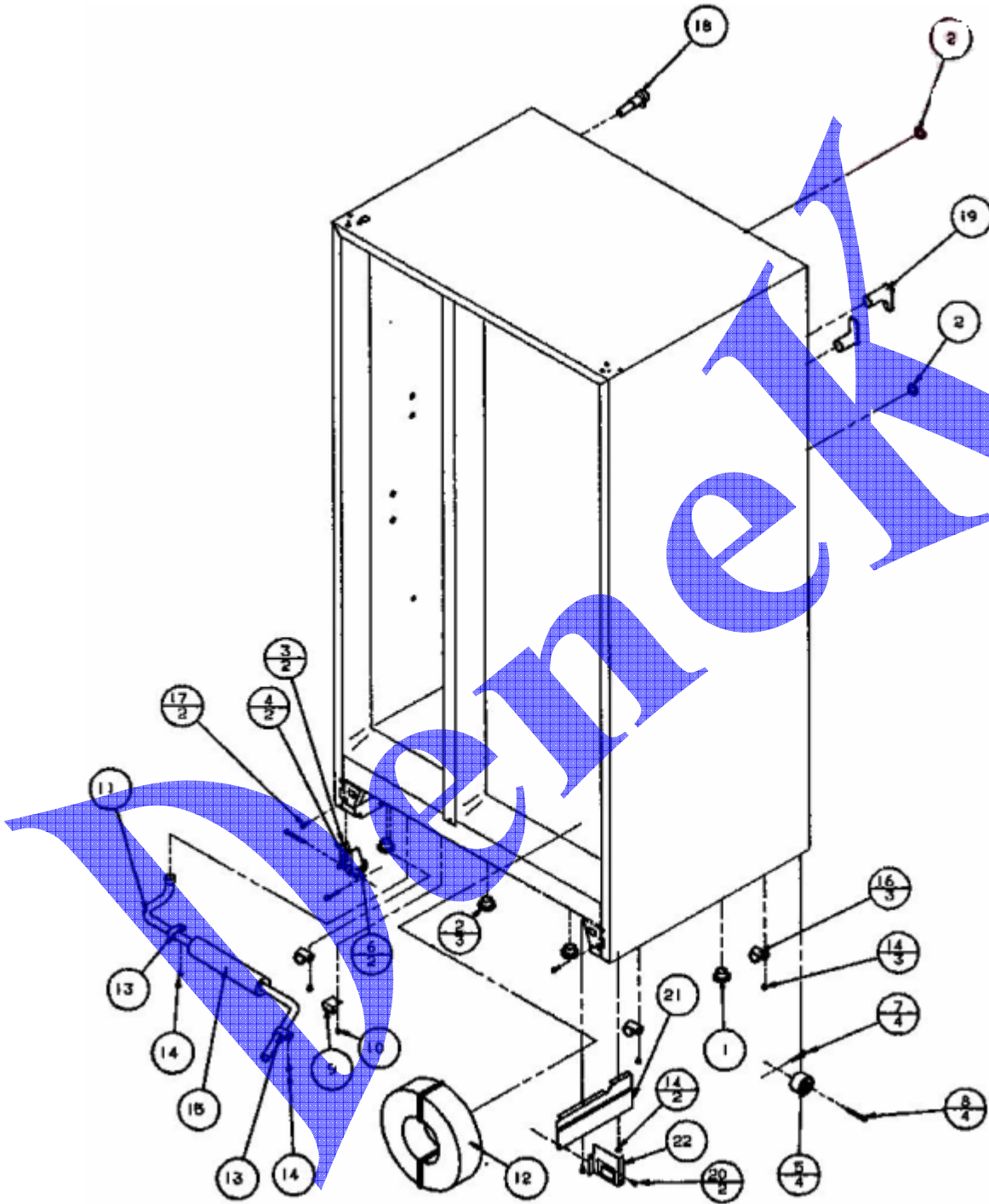
REFRIGERADOR MTG MOD. SZDE25KP

ANAQUELES ENFRIADOR

NUMERO	N.DE PARTE	DESCRIPCION
1	D7788901	MACH BACK ASSY A
2	D7790601	DRAIN PAN
3	M0241118	SCREW-SM
4	B5759604	GASKET
6	D7835501	SUPPORT M.C.
7	M0102325	CLAMP
8	D7874001	HARNES
9	D7790501	SUPPORT DRAIN PAN
10	M0233704	SCREW-SD
11	M0233844	SCREW, T F
12	B5715001	DRIER
13	B5742601	BLADE, FAN
14	B8333401	GROMMET
15	B8358301	SPRING, OVERLOAD
16	B8358601	BALE STRAP
17	B8384901	PIN, COMP. MTG.
18	B8385001	CLIP, COMP. MTG
19	C8906206	OVERLOAD
20	C8931101	SHIELD-CAPACITOR
21	C8931503	RELAY
22	C8931602	CAPACITOR
23	C8960801	TERM COVER
24	C8982101	BRACKET, COND MOTOR
25	D7584002	MOTOR, FAN
26	D7736204	COMPRESSOR AEA1410AXA
27	A4539601	POP RIVET
28	M0350102	SWITCH
29	D7876402	HARNES M.C.
30	D7844108	COND FAN SHROUD
31	M0211016	SCREW, SM
32	M0211217	SCREW
33	B5733302	CLIP, GROUND
34	M0221332	SCREW, SHOULDER
35	M0223803	SCREW
36	D7821901	PC BOARD H.V.
37	M0253916	SCREW
38	M0500107	GROMMET K
39	M0585401	TIE, WIRE
40	D7833302	BRACKET HV BOX
41	A3261703	GROMMET PER IN.
42	B8346301	SPACER COND.
43	D7748602	BASE PAN
44	D7824503	CONDENSER PNTD
45	M0293703	SPEEDNUT
46	M0211530	SCREW
47	D7383424	JUMPER WIRE
48	D7383425	JUMPER WIRE
49	D7833402	TOP-HV BOX
50	D7847204	H.V. BOX
51	M0585502	SUPPORT-PC BOARD
52	M0234003	SCREW
53	M0321202	TIE
54	M0321201	TIE K
55	M0585402	TIE WIRE
56	M0216716	SCREW

REFRIGERADOR MTG MOD. SZDE25KP

DRAIN AND ROLLERS



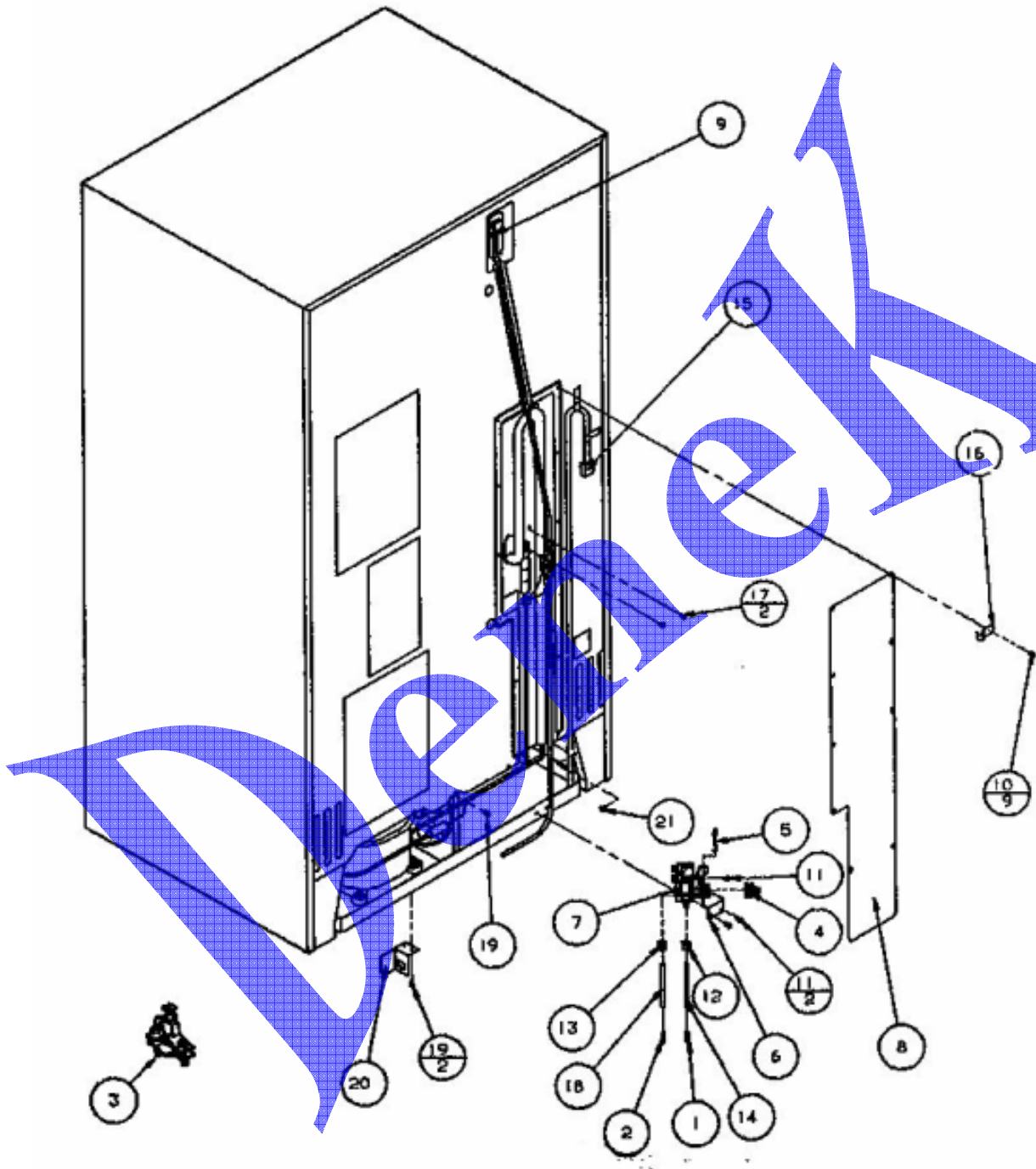
REFRIGERADOR MTG MOD. SZDE25KP

DRAIN AND ROLLERS

NUMERO	N. DE PARTE	DESCRIPCION
1	A3076901	PLUG, BUTTON
2	A3080001	PLUG, BUTTON (BLK)
3	C8742401	ASSY, ROLLER BRACKET
4	M0286708	NUT, SPEED
5	M0520102	ROLLER
6	M1205302	RIVET
7	M1200004	COTTER PIN K
8	M1200202	PIN K
9	C8985801	BRACKET, RETAINER
10	M0211017	SCREW-SM #8-1/2LG
11	D7748501	DRAIN TUBE
12	D7787801	TANK, COIL WATER
13	M0102303	CLAMP
14	M0233704	SCREW-SB
15	A0329814	TUBING INSULATION BY INCH
16	M0102327	CLAMP
17	M0204339	SCREW BOLT K
18	B8318803	FILL TUBE ASSY
19	C8971902	TUNNEL, HEAT EX.
20	M0216529	SCREW
21	10045601	SHIELD ELECT, BOX
22	10045701	END PLATE SHIELD
9999	B5667303	CLIP

REFRIGERADOR MTG MOD. SZDE25KP

GABINETE TRASERO (II)



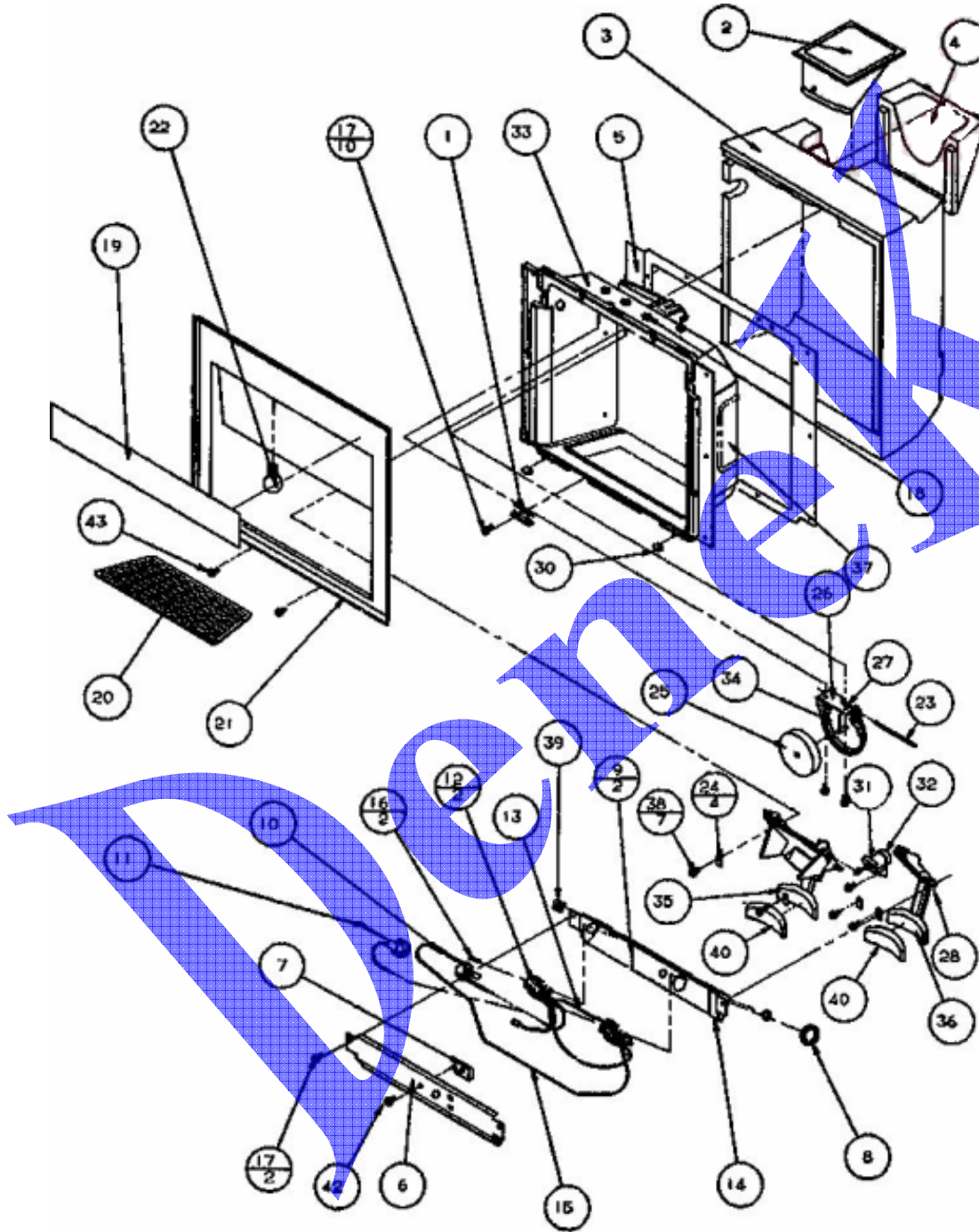
REFRIGERADOR MTG MOD. SZDE25KP

GABINETE TRASERO (II)

NUMERO	N.DE PARTE	DESCRIPCION
1	A1055101	SPRING, ANTIKINK
2	A1055102	SPRING K
3	A3034801	SADDLE VALVE
4	10127801	COUPLING
5	B8374701	CLIP, WATER VALVE
6	D7701601	BRKT, WATER VALVE
7	D7742202	VALVE, WATER
8	D7777602	COVER, O.C.BACK
9	M0114003	CLIP, SPEED
10	M0211216	SCREW
11	M0251015	SCREW
12	M0753001	NUT, SLEEVE
13	M0753002	NUT, SLEEVE
14	B5705308	TUBING PLASTIC
15	R0157154	POWER CORD
16	M0103901	CLAMP
17	M0232903	SCREW
18	D7787801	TANK, COIL WATER
19	M0233704	SCREW-SD
20	C8983501	BRACKET PLUG
21	M0211016	SCREW, SM

REFRIGERADOR MTG MOD. SZDE25KP

DESPACHADOR



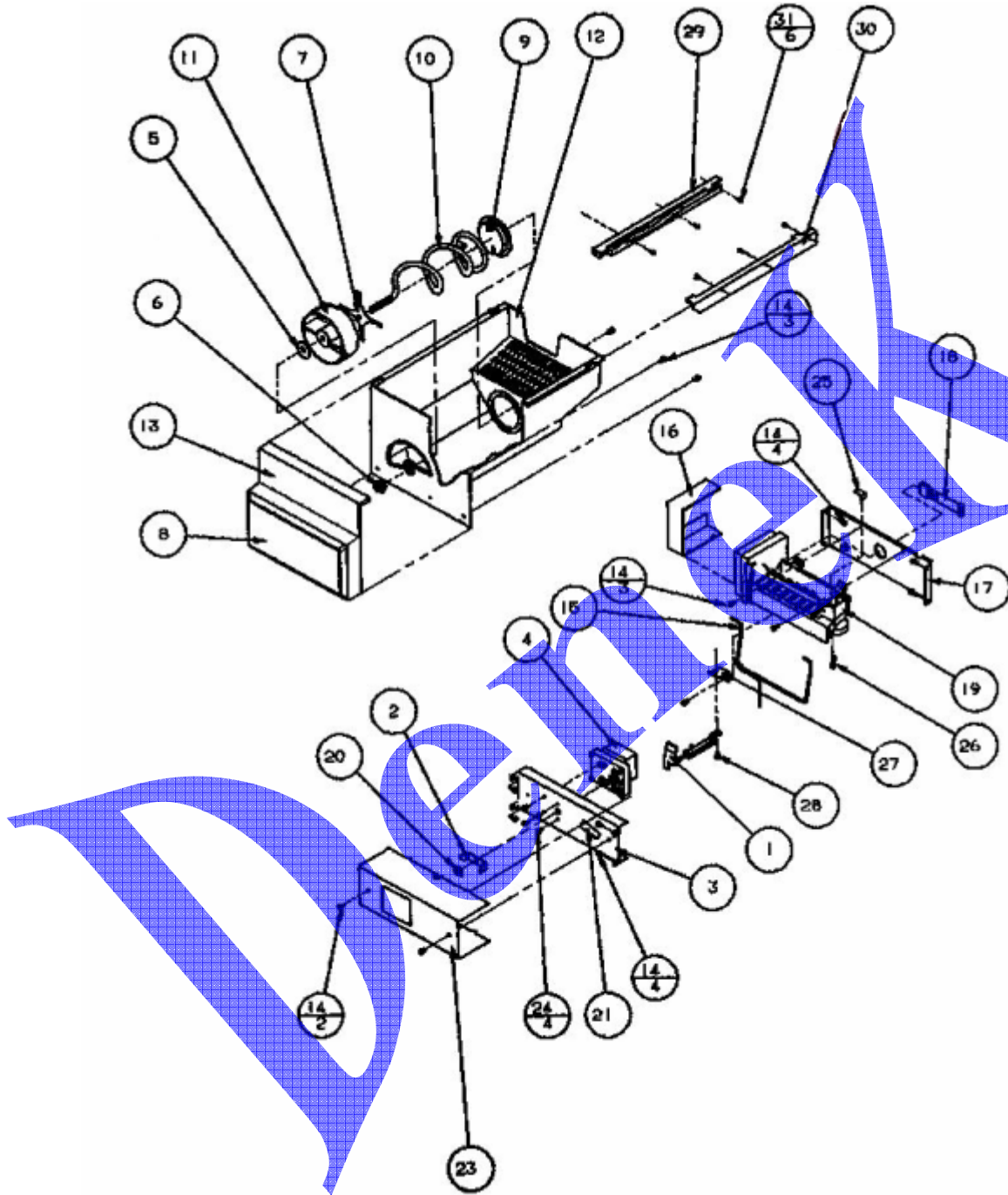
REFRIGERADOR MTG MOD. SZDE25KP

DESPACHADOR

NUMERO	N.DE PARTE	DESCRIPCION
1	C8992901	CLIP
2	D7750702	ICE, CHUTE
3	D7789601	INSUL I & W CAVITY
4	D7790901	INSUL I & W CAVITY
5	D7791001	GASKET-CAVITY
6	D7795902	COVER
7	D7854103	SWITCH PHOTO SENSITIVE
8	B8382701	NUT
9	B8386801	INSULATION
10	C8967503	SWITCH, LIGHT
11	C8967603	SOCKET, LIGHT
12	C8972701	KIT, LIMIT SWITCH
13	D7726588	JUMPER WIRE
14	D7750501	BRACKET, ELECT. MTG
15	D7726589	JUMPER WIRE
16	M0234008	SCREW
17	M0216517	SCREW
18	M0274701	RETAINER, RING
19	D7842220	MEMBRANE, FACADE
19	D7842218	MEMBRANE, FACADE
19	D7842219	MEMBRANE FACADE
20	D7750602	GRILLE SUMP (BLACK)
20	D7750603	GRILLE, SUMP (WHITE)
20	D7750605	GRILLE, SUMP L
21	D7877521	FACADE DISPENSER
21	D7877519	FACADE DISPENSER
21	D7877520	FACADE DISPENSER
22	M0360001	LIGHT BULB
23	A1061501	PIN, CHUTE DOOR
24	A1061601	RETAINER, ICE ARM
25	B8380701	INSULATION, CHUTE DOOR
26	B8380801	BRKT-CHUTE DOOR
27	B8380901	SPRING,CHUTE DOOR
28	B8385401	SPRING, RETURN
30	B8390301	CLIP, FACADE
31	C8972501	RETAINER DOOR DELAY
32	C8973601	DELAY, DOOR
33	D7750002	CAVITY DISPENSER BLK
33	D7750003	CAVITY DISPENSER W
33	D7750005	CAVITY, DISPENSER, ALMOND
34	D7750101	KIT,CHUTE DR #3
35	D7750301	ARM ICE ACTUATER
36	D7750401	ARM,WATER ACTUATER
37	D7762701	HEATER, CAVITY
38	M0211116	SCREW, SM
39	B5733302	CLIP, GROUND
40	B8390201	PAD, ACTUATING
42	M0216515	SCREW
43	M0219614	SCREW K
43	M0219640	SCREW
43	M0219601	SCREW
9999	R0156692	KIT,CHUTE DR #3

REFRIGERADOR MTG MOD. SZDE25KP

ICE MAKER Y BANDEJA DE HIELOS



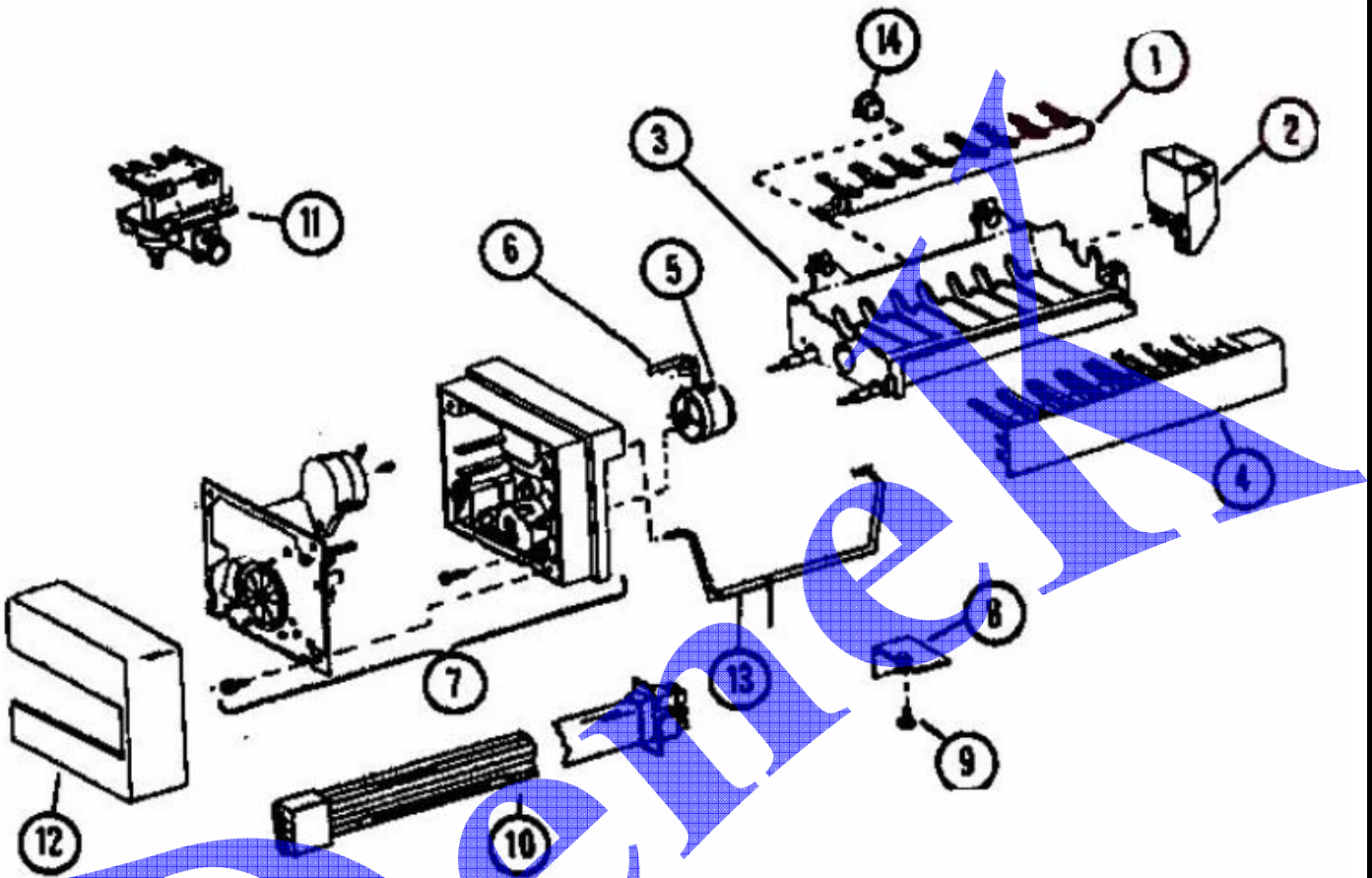
REFRIGERADOR MTG MOD. SZDE25KP

ICE MAKER Y BANDEJA DE HIELOS

NUMERO	N.DE PARTE	DESCRIPCION
1	C8980402	I.M. SHUT OFF ASSY
2	D7749501	HELIX
3	D7749203	SUPPORT AUGER MOTOR
4	D7749301	MOTOR AUGER
5	A1061701	WASHER
6	B8385101	NUT HELIX
7	C8964101	BAR, BREAKER
8	C8975307	INSERT, BUCKET FRONT
9	D7749401	CAP, HELIX END
10	D7749501	HELIX
11	D7749601	WHEEL LIFT
12	D7749704	BUCKET, ICE V
13	D7749802	FRONT, BUCKET
14	M0230917	SCREW
15	D7877001	ARM, ICE MAKER SHUT OFF
16	D7820401	COVER IM
17	D7821003	SUPPORT IM
18	D7824601	HARNES
19	D7824701	ICE MAKER
20	M0120501	NUT
21	A3030305	GASKET PER FT
23	D7788809	COVER AUGER MTR-E CT
24	M0253916	SCREW
25	B5720301	CLIP
26	B8389801	CLIP, THERMAL FUSE
27	B8391801	BRACKET, I/M
28	M0211118	SCREW, SM
29	D7849903	GLIDE-L FZ
30	D7849904	GLIDE, FREEZER RH
31	M0213529	SCREW

REFRIGERADOR MTG MOD. SZDE25KP

ICE MAKER ENSAMBLADO



REFRIGERADOR MTG MOD. SZDE25KP

ICE MAKER ENSAMBLADO

NUMERO	N.DE PARTE	DESCRIPCION
1	R0183119	EJECTOR
2	R0156627	INLET, WATER
3	R0156669	ASSY, MOLD & HEATER
4	R0183120	STRIPPER, ICE
5	R0161060	N/A SEE NOTES THERMOSTAT
6	R0191094	RETAINER
7	R0156628	ICE MAKER
8	B8391801	BRACKET, I/M
9	M0211116	SCREW, SM
10	D7824601	HARNES
11	D7742202	VALVE, WATER
12	D7820401	COVER IM
13	D7877001	ARM,ICE MAKER SHUT OFF
14	B8389801	CLIP, THERMAL FUSE