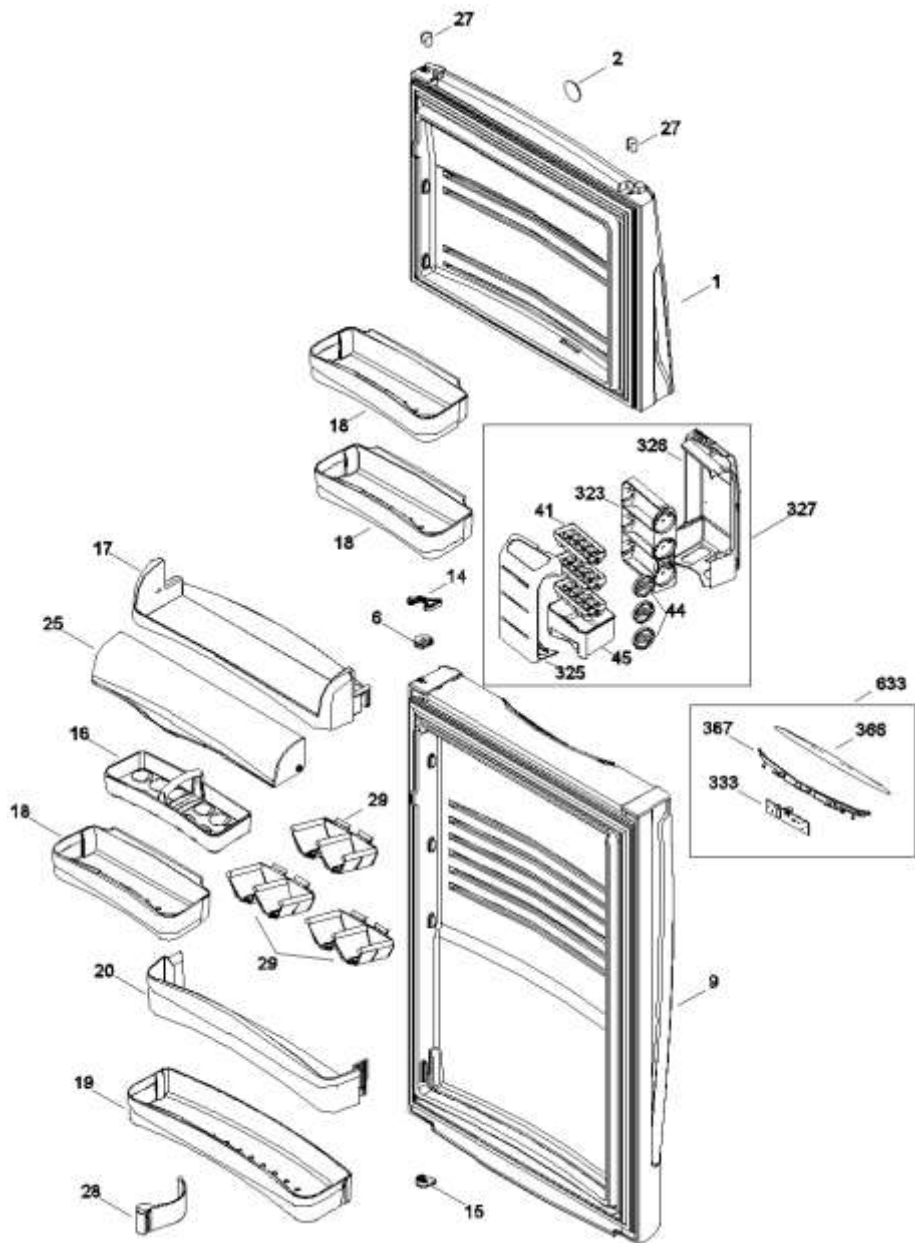
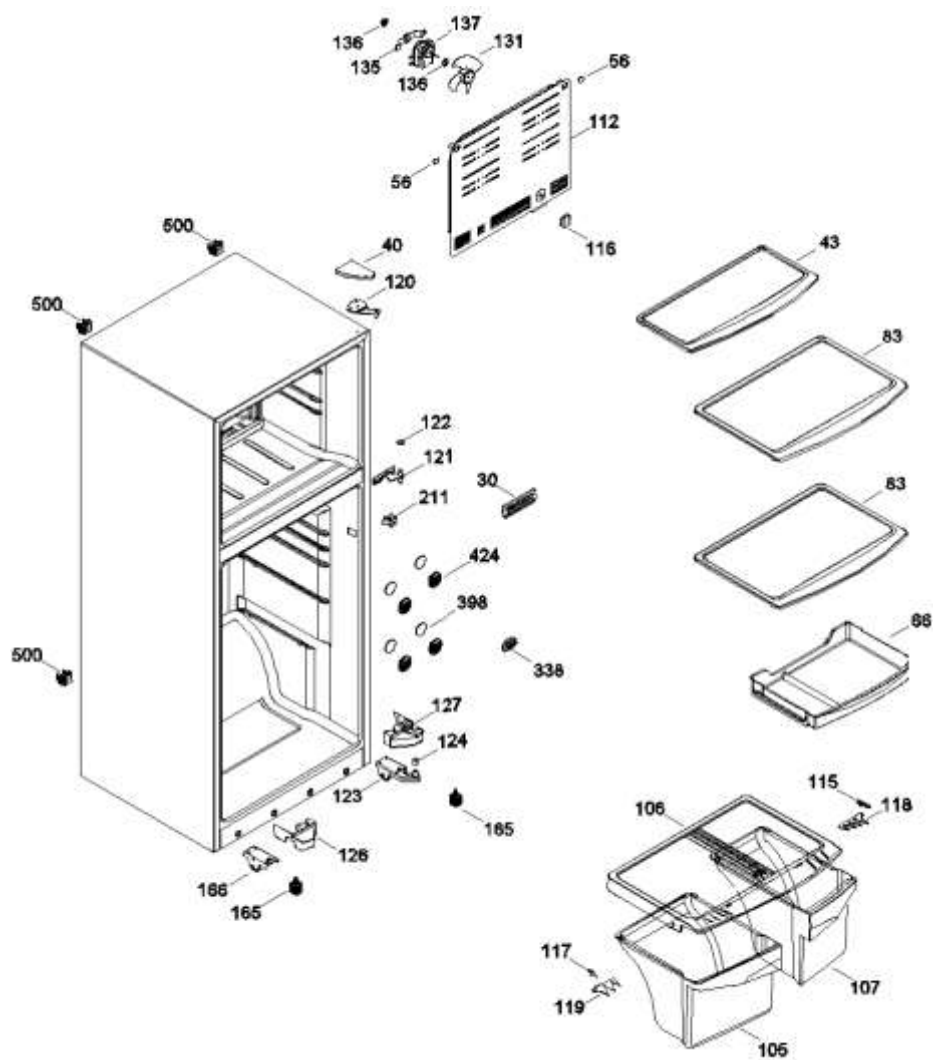


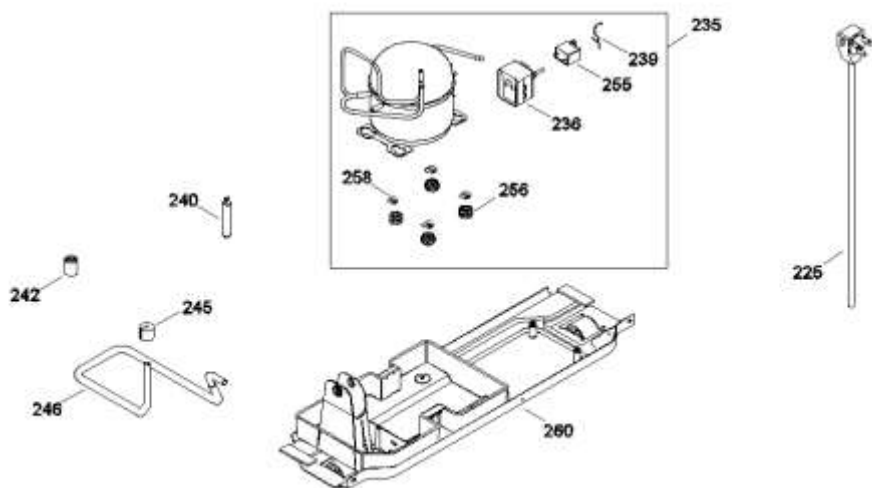
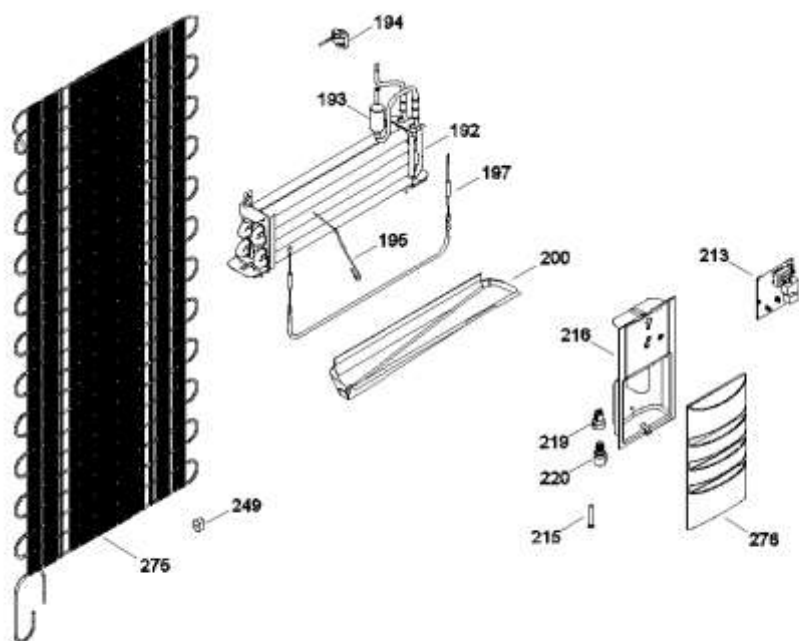
TBS15ZASS0



TBS15ZASS0



TBS15ZASS0



TBS15ZASS0

| | | |
|-----|---------------|--------------------------------|
| 1 | 200D6528G003 | PUERTA CONGELADOR ENS SILVER |
| 2 | 203C6239P001 | LOGO GE REDONDO SEDNA |
| 6 | 238C2885P001 | TOPE PUERTA FZ GE SEDN |
| 9 | 200D6531G005 | PUERTA REFRIGERADOR ENS SILVER |
| 14 | 238C2887P001 | CIERRE FORZADO GE SEDN |
| 15 | 238C2886P002 | TOPE PUERTA FF GE SEDN |
| 16 | 238C2404P001 | HUEVERA PORTATIL TRANS |
| 17 | 200D6484P001 | ANAQUEL PORTALACTEOS |
| 18 | 200D6478P001 | ANAQUEL DESLIZABLE 12-14 |
| 19 | 200D6480P001 | ANAQUEL FIJO BAJO 12-14 |
| 20 | 200D6482P001 | ANAQUEL FIJO ALTO 12-14 |
| 25 | 200D6486P003 | PUERTA PORTALACT.GE Z |
| 28 | 238C2607G001 | SEPARADOR BOTELLAS ENS |
| 29 | 238C2390G003E | PORTA LATAS ENS.GE Z G |
| 30 | 238C2743P002 | REJILLA S.AIRE F/H.GE |
| 40 | 238C2770P005 | TAPA BISAGRA SUPERIOR |
| 41 | 200D5143P001 | CHAROLA PARA HIELOS AZUL 146C |
| 43 | 200D6892G003 | PARRILLA DE CRISTAL CONG ENS |
| 44 | 200D5144P007 | PERILLA FAB HIELOS AZUL 138C |
| 45 | 200D5145P001 | CAJON PARA HIELO TRANSPARENTE |
| 52 | 238C2207P001 | BUJE PUERTA |
| 66 | 200D7117P001 | CAJON CARNES GE 12 14 |
| 83 | 200D6545G003 | PARRILLA DE CRISTAL REF ENS |
| 105 | 200D6547G001 | CAJON LEG GEMELO IZQ.12 14 |
| 106 | 200D6544G001 | MARCO TAPA CAJON LEGUM CRISTAL |
| 107 | 200D6548G001 | CAJON GEMELO DER.12 14 |
| 112 | 200D6225G006 | CUBIERTA EVAP.GE 12 14 |
| 115 | 238C2884P005 | PALANCA CTROL HUM.DER. |
| 116 | 355B2155P004 | PERILLA REGULADOR AZUL |
| 117 | 238C2884P006 | PALANCA CTROL HUM.IZQ. |
| 118 | 355B2127P001 | CONTROL DE HUMEDAD DER |
| 119 | 355B2127P002 | CONTROL DE HUMEDAD IZQ |
| 120 | 238C2735G004 | BISAGRA SUP.ENS.COMP.G |
| 121 | 238C2736G003 | BISAGRA INTERMEDIA ENS |
| 122 | 238C1981P001 | RONDANA BISAGRA |
| 123 | 238C2737G003 | BISAGRA INF.ENS.GE.SDN |

| | | |
|-----|---------------|--------------------------------|
| 124 | 355B2134P001 | BUJE BISAGRA GE SEDNA |
| 126 | 200D7010P006 | TAPA BISAGRA INF.SILV. IZQ |
| 127 | 200D7010P005 | TAPA BISAGRA INF.SILV DER |
| 135 | 238C1189P002 | SOPORTE MOTOR VENTILADOR |
| 137 | 200D2940P005 | MOTOR VENTILADOR EVAP. |
| 137 | 200D2940P005 | MOTOR VENTILADOR EVAP. |
| 137 | 200D2940P005 | MOTOR VENTILADOR EVAP. |
| 165 | 314B8640P005 | TORNILLO NIVELADOR GRIS |
| 166 | 200D3263G008 | SOPORTE RUEDA CORTO EN |
| 182 | 355B2012P001 | TAPON TORNILLO CUB.EVA |
| 192 | 200D4112G006 | EVAPORADOR ENS |
| 193 | 221C8290P004 | ACUMULADOR SEDNA |
| 194 | 238C1015P004 | TERMOSTATO |
| 194 | 238C1015P004 | TERMOSTATO |
| 195 | 238C2902P001T | ALAMBRE CALEFACTOR SED |
| 197 | 238C2216G010 | RESISTENCIA ENS. 12 14 |
| 200 | 200D5208P002 | BANDEJA COLECTORA |
| 211 | 314B8274P001 | INTERRUPTOR FOCO |
| 213 | 200D5246G003 | TARJETA DE CONTROL 12 |
| 216 | 200D6396P001 | CAJA CONTROL |
| 220 | 238C2688P001 | FOCO FF 127 VOLTS 20 W |
| 225 | 200D6711G002 | ARNES TOMACORRIENTE S. |
| 235 | 20505212499 | COMPRESOR CBE121L2G DOE/FIDE E |
| 235 | 20505212499 | COMPRESOR CBE121L2G DOE/FIDE E |
| 236 | 200D5578P008 | ACC.ELEC. 5SP16B317RH 10025 |
| 239 | 355B2089P004 | SUJETADOR CLIP 5SP |
| 240 | 221C5100P002 | FILTRO DESHIDRATADOR |
| 245 | 314B8294P001 | AMORTIGUADOR VIBRACION |
| 246 | 200D2589G002 | TUBO SERPENTIN AUXILIAR ENS. |
| 255 | 203C2799P004 | CAPACITOR |
| 256 | 203C5262P001 | AMORTIGUADOR |
| 260 | 197D3131G006 | ASPA VENTILADOR Y ANILLO ENS. |
| 260 | 200D3274G003 | SOPORTE COMPRESOR ENSAMBLE |
| 269 | 221C5143P001 | EMPAQUE MOTOR VENTILADOR |
| 275 | 200D5028P002 | CONDENSADOR PLANO |
| 276 | 238C2804P007 | CUBIERTA FOCO REF SMART |
| 308 | 238C2369P001 | CLIP CONDENSADOR PLANO |
| 323 | 200D6049P002 | MARCO FAB DE HIELOS AZUL 151G |

| | | |
|-----|--------------|--------------------------------|
| 325 | 200D5146P004 | CUBIERTA FABRICA DE HIELOS |
| 326 | 200D6048P001 | BASE FAB DE HIELO TRANSPARENTE |
| 327 | 200D5142G003 | FABRICA DE HIELOS ENS. |
| 333 | 200D4897G001 | TARJETA DISPLAY EXTERNO |
| 338 | 238C2888P001 | REJILLA SENSOR 12-14-1 |
| 366 | 238C2918P004 | OVERLAY CUB.MASCARA DI |
| 367 | 238C2452P001 | MASCARA DISPLAY |
| 398 | 355B2203P001 | FONDO SALIDA DE AIRE G |
| 405 | 238C2927P001 | SOCKET ENS. SEDNA BRAS |
| 424 | 355B2160P002 | CORCHOLATA O REJILLA AZUL |
| 450 | 355B1473P001 | VALVULA TUBO DREN |
| 459 | 314B9163P003 | AMORTIGUADOR PARA CONDENSADOR |
| 474 | 871516P006 | SEGURO DE SUJECION COMPRESOR |
| 551 | 314B8355P001 | TORNILLO 8-19 HI/LO |
| 633 | 238C2756G001 | MASCARA GE.DISP.EX ENS |

***NOTA: SI EL CODIGO DEL ARTICULO QUE NECESITA NO APARECE EN NUESTRA PAGINA WEB, ES PROBABLE QUE SEA SOBRE PEDIDO O ESTE OBSOLETO.**

FAVOR DE COMUNICARSE A NUESTRAS OFICINAS PARA MAYOR INFORMACION

TELEFONOS: 83377949, 83377999 Y 83373889.