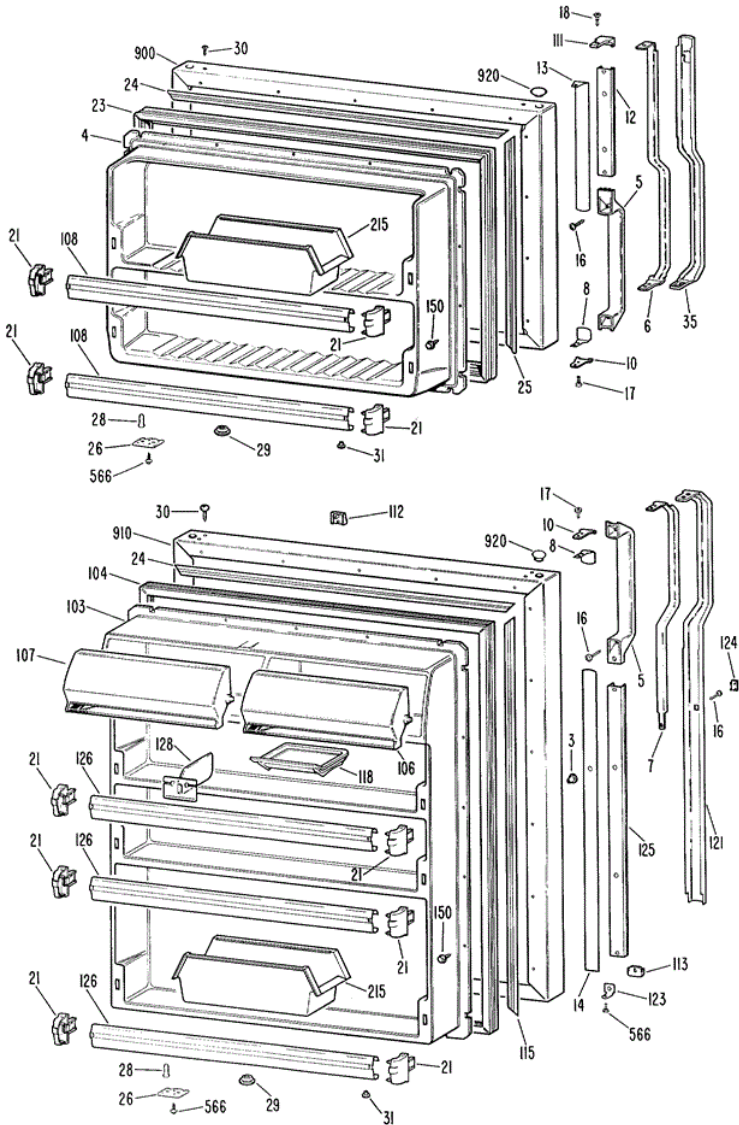


Distribuidor Autorizado

SurteRápido.com

Venta de Refacciones
Electrodomesticas

TBX24ZKBR DOOR





TBX24ZKBR DOOR

1	31-5025	ATTENTION INSTALLER
3	WR02X3757	FASTENER TUBULAR
4	WR77X0472	DOOR INNER FZ
5	WR12X0553	DOOR HANDLE
6	WR12X0554	STIFFENER HANDLE FZ
7	WR12X0555	STIFFENER HANDLE
8	WR02X7616	SHIM HANDLE HA
10	WR02X7613	SHIM HANDLE DOOR
13	WR02X7612	SHIM HANDLE DOOR
14	WR02X7614	SHIM HANDLE DOOR
16	WR01X1724	SCREW
17	WR01X1727	SCREW
18	WR01X1726	SCR 10-16AB FWR 3/4 SS
21	WR02X7617	CAP SHELF FRT
23	WR24X0436	GASKET O.DOOR FRZ(BRN)
24	WR17X2136	RETAINER STRIP H
25	WR17X2135	RETAINER STRIP V
26	WR02X7628	DOOR STOP
28	WR02X7627	THIMBLE DOOR PLASTIC
29	WR02X7618	PLUG BUTTON WHITE
30	WR01X5475	SCR 8/10-16 AB PA 5/8
31	WR02X7643	PLUG FOAM VENT(WH)
35	WR12X0552	INSERT FRZ HDLE(BRN)
87	WZ04X0241	SCR 8-18 AB PA 1/2 SS
103	WR77X0473	DOOR INNER FF
104	WR24X0435	GASKET O.DOOR FF(BRN)
106	WR22X0337	DOOR UTILITY
107	WR22X0338	DOOR DAIRY
108	WR71X1747	FRONT DOOR SHELF GE LG
111	WR02X7610	CAP TRIM HANDLE
112	WR04X0180	PLUG DOOR REVERSIBLE WH
113	WR02X7611	CAP TRIM HANDLE BTM
115	WR17X2137	RETAINER STRIP V

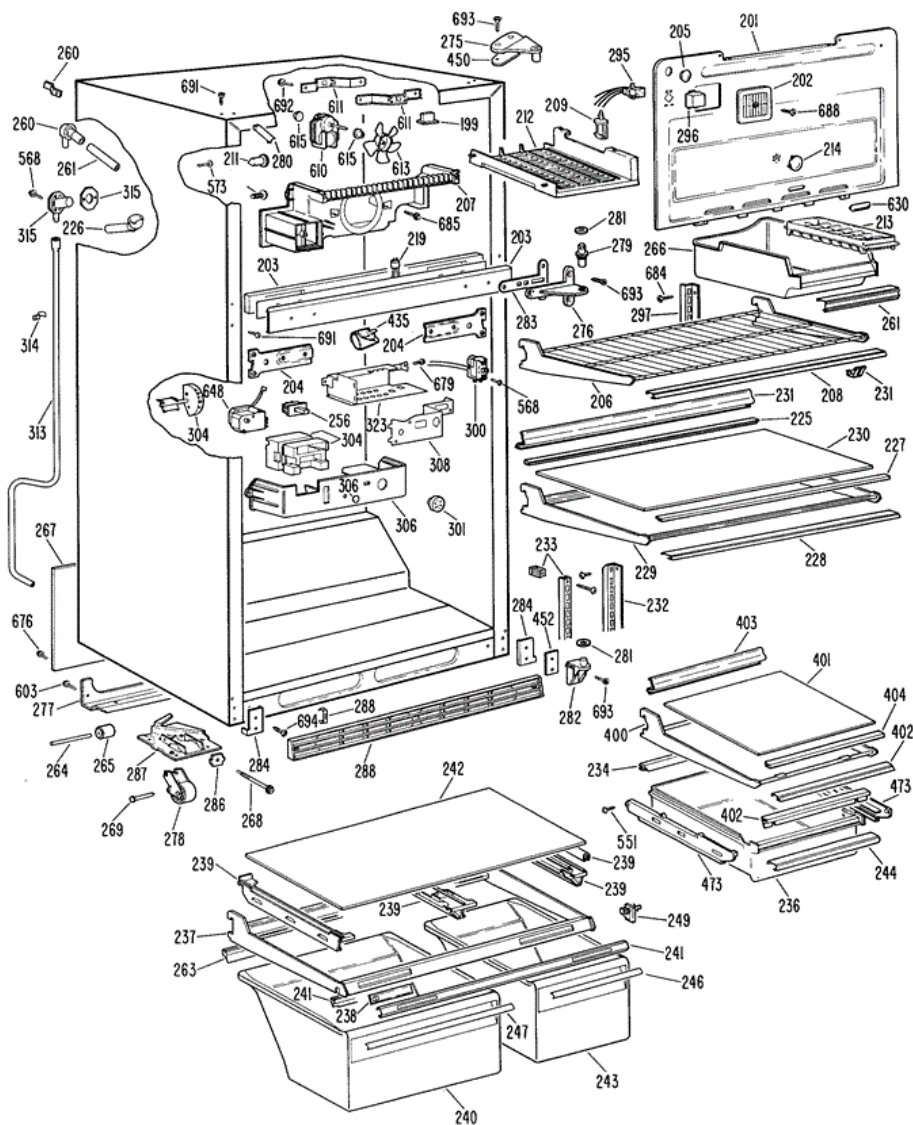
118	WR19X0029	DISH BUTTER
121	WR12X0556	INSERT DOOR HANDLE
123	WR02X7615	TRIM HANDLE BTM
124	WR12X0559	PLUG BUTTON INSERT (BRN)
125	WR12X0557	CHANNEL HANDLE
125	WR12X0558	CHANNEL HANDLE FF
126	WR71X1748	FRONT DOOR SHELF
128	WR02X7623	DIVIDER SHELF
150	WR01X1725	SCR 8-18 SPEC
215	WR32X0898	BUCKET UTILITY
216	WR01X1332	RIVET-PLASTIC
324	WR02X7069	PLUG BUTTON
435	STD372402	LAMP 40W 120V
435	WR02X8265	SCKT & TERMINAL ASM
566	WR01X1487	SCREW
566	WR01X1728	SCR 10-16 1/2 PH
687	WZ04X0224	SCR 6-19 HI/LO HXW 1/2 S
689	WZ05X0246	SCR 8-32 SPEC DRILL PT
900	WR78X7910	FRZ O.DOOR(WH)
900	WR78X7911	FRZ O.DOOR(AD)
900	WR78X7912	FRZ O.DOOR(HA)
910	WR78X7913	FF O.DOOR(WH)
910	WR78X7914	FF O.DOOR(AD)
910	WR78X7915	FF O.DOOR(HA)
921	WR02X7624	PLUG BUTTON WHITE
32767	49-6413	PM RVSBL HDW INST
32767	49-6522	PM GUIDE OWNERS
32767	WR01X1466	SCR 8-32 T HXW 3/8 S
32767	WR51X0299	HEATER ASM-DEFROST
32767	WR84X0115	CONDENSER ASM

Distribuidor Autorizado

SurteRápido.com

Venta de Refacciones Electrodomesticas

TBX24ZKBR SHELVES





TBX24ZKBR SHELVES

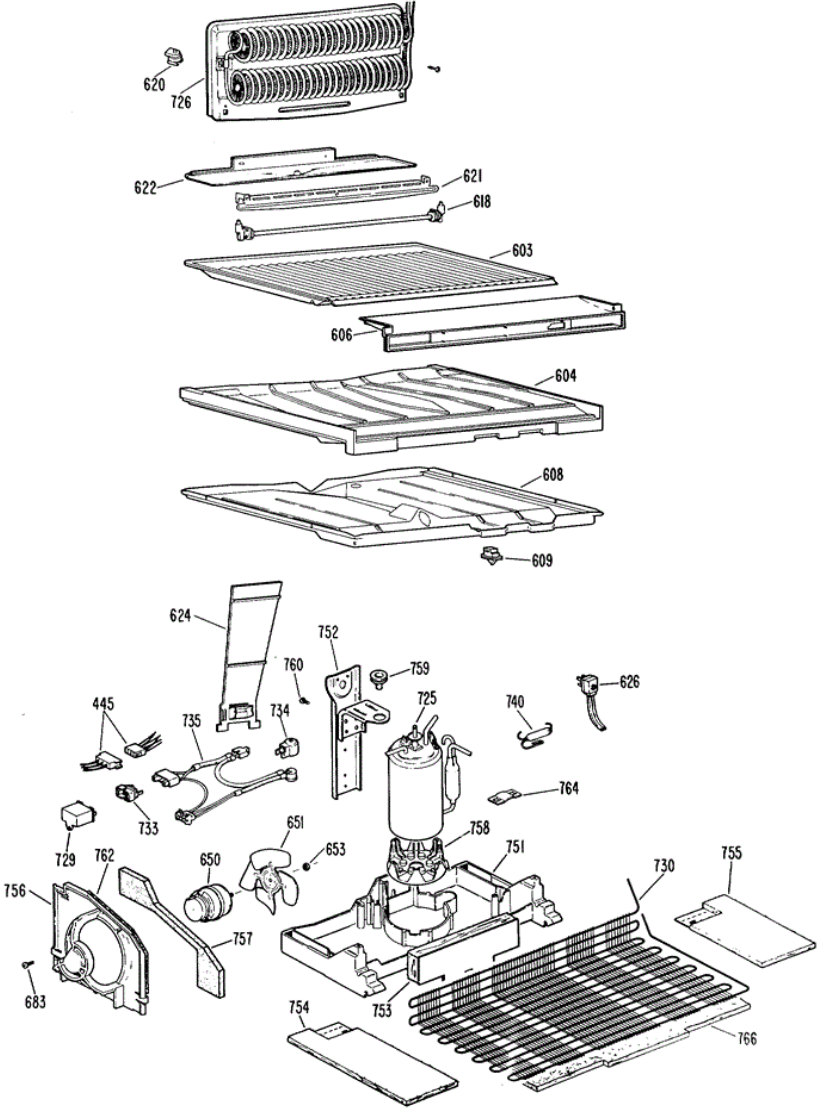
199	WR02X7670	RECEPTACLE CNTR TRACK
201	WR14X0313	FOAM STRIP
201	WR17X2142	COVER EVAP ASM
202	WR02X7019	GRILLE ICE SERVICE
203	WR14X0347	FOAM STRIP MULLION
203	WR17X2158	MULLION CROSSPIECE (WH)
204	WR02X7631	BRACKET MULLION RH
204	WR02X7632	BRACKET MULLION LH
205	WR02X7060	PLUG BUTTON(1.00"DIA.)
205	WR02X7148	PLUG BUTTON
206	WR71X1757	FRZ SHELF ASM
207	WR14X0313	FOAM STRIP
207	WR17X2164	PLENUM
209	WR02X7015	SUPPORT TWIST FZ SHELF
210	WR02X6261	GROMMET SHELF
212	WR71X1762	SHELF ICE TRAY
213	WR30X0261	ICE TRAY
219	WR51X0315	HEATER MULLION
225	WR38X1086	RETAINER GLASS TRIM
226	WR02X7640	FUNNEL DRAIN
227	WR38X1085	RETAINER GLASS TRIM
228	WR38X1083	TRIM GLASS SHELF
229	WR71X1758	SHELF CANT FULL
230	WR32X0905	SHELF CANT GLASS
231	WR02X5008	CLIP SHELF TRIM
231	WR38X1084	REFLECTOR SHELF FULL
232	WR72X0094	TRACK CANT SHELF FF
233	WR02X7018	SPACER TRACK
233	WR72X0093	TRACK CENTER FF
234	WR14X0342	GASKET GLASS REAR
234	WR38X1091	REFLECTOR SHELF SEAL
235	WR38X1082	TRIM SHELF
236	WR32X0907	MEAT PAN

237	WR71X1760	FRAME CANT VP
238	WR17X2152	SLIDE ASM
239	WR14X0343	GASKET SLIDE VP
239	WR17X2153	SLIDE PAN L/SIDE
239	WR17X2154	SLIDE PAN--CENTER
239	WR17X2155	SLIDE PAN R/SIDE
240	WR32X0909	PAN 2/3
241	WR14X0344	GASKET CVR PAN FRONT
241	WR17X2177	TRIM FRAME VP
242	WR32X0910	SHELF CANT GLASS
243	WR32X0908	PAN 1/3
244	WR17X2149	HANDLE PAN
246	WR17X2150	HANDLE VEG PAN
247	WR17X2151	HANDLE VEG PAN
249	WR02X7638	SUPPORT TWIST VP CVR
256	WR23X0309	SWH POWER SAVER
257	WR09X0413	DEFROST CONTROL
260	WR02X7641	GROMMET WTR FILL
260	WR02X7647	CLAMP GROM WTRFILL
261	WR02X6087	TUBE WATER FILL
261	WR17X2148	HANDLE PAN
263	WR14X0345	GASKET CVR PAN REAR
263	WR38X1092	REFLECTOR FRAME VP
264	WR02X3594	WHEEL MOBILITY
265	WR02X7668	AXLE WHEEL REAR
266	WR30X0260	BUCKET ICE
267	WR82X0276	COVER ACCESS ASM
268	WR01X1734	SCREW MOBILITY
269	WR01X1733	KEY PIVOT
275	WR13X0586	HINGE TOP & PIN ASM
276	WR13X0585	HINGE CENTER ASM
277	WR17X2165	RAIL REAR
278	WR02X7663	WHEEL ASM FRT
279	WR13X0587	PIN HINGE CTR
280	WR02X7656	CAP CORNER O.C. WHITE
281	WR01X1731	WASHER HINGE
282	WR13X0588	HINGE BTM ASM
283	WR02X7629	SHIM HINGE CENTER

284	WR02X7659	CAP BTM RH O.CASE
284	WR02X7660	CAP BTM LH O.CASE
286	WR01X1732	LEVELING NUT
287	WR02X7665	GUSSET RH
287	WR02X7666	GUSSET LH
288	WR02X7646	CLIP BASE GRILLE
288	WR74X0191	GRILLE BASE ASM
295	WR23X0315	RECEPTACLE ICEMAKER
296	WR02X7648	COVER IM RECEPTACLE
297	WR72X0095	TRACK CANT SIDE FZ
300	WR09X0411	CONTROL TEMP
301	WR02X7146	KNOB TEMP CONT
304	WR02X7650	SHAFT KNOB DAMPER
304	WR02X7651	NOZZLE FOAM BACK
304	WR02X7661	NOZZLE FOAM FRONT
306	WR02X7652	PLUG BUTTON
306	WR02X7669	INSUL ELECT
306	WR17X2166	HSG CONT & LABEL ASM
308	WR02X7655	BRKT CONTROL HSG
313	WR17X2163	DRAIN TUBE
314	WR02X4516	CLAMP TUBE
315	WR02X7639	GROMMET DRAIN
315	WR14X0313	FOAM STRIP
315	WR14X0346	GASKET DRAIN GROMMET
323	WR02X7654	BRKT CONTROL BACK
400	WR71X1759	SHELF CANT
401	WR32X0906	SHELF CANT GLASS
402	WR38X1087	TRIM GLASS CANT SHELF
402	WR38X1090	RETAINER TRIM GLASS SHLF
403	WR38X1088	REFLECTOR SHELF
404	WR38X1089	RETAINER TRIM GLASS SHLF
450	WR02X7630	SHIM HINGE TOP
452	WR02X7653	SHIM HINGE BTM
473	WR17X2170	SLIDE RH MEAT PAN
473	WR17X2171	SLIDE LH MEAT PAN
551	WZ04X0244	SCR 8-18 AB RNDW 5/8 SS
568	WZ05X0137	SCR 8-32 SPEC DRILL PT
573	WZ04X0254	SCREW

602	WR01X1591	SCR 1/4-14 X 3/4
603	WR17X2138	LINER BTM FZ
610	WR60X0172	MOTOR EVAP FAN
611	WR02X7664	BRACKET EVAP FAN
613	WR02X3198	RING COMPRESSION
613	WR60X0123	BLADE EVAP FAN
615	WR02X7391	GROMMET
630	WR02X7649	PLUG BUTTON
676	WZ04X0263	SCR 10-16 AB HXW 1/2
676	WZ04X0263	SCR 10-16 AB HXW 1/2
679	WZ06X0133	SCREW
684	WZ04X0417	SCREW
685	WR01X1730	SCREW
688	WZ04X0250	SCR 8-15 A PA 3/4 SS
691	WR01X1644	SCR 10-32 GX HXW 1/2 S
691	WR01X1729	SCREW
691	WR01X1729	SCREW
692	WZ04X0416	SCR 8-18 AB HXW 3/4
693	WR01X1735	SCR 12-24 TT .900 OHT
694	WR01X1736	SCR 12-24 TT 5/8 (BLK)

TBX24ZKBR MOTOR COND.





TBX24ZKBR MOTOR COND.

602	WR01X1591	SCR 1/4-14 X 3/4
603	WR17X2138	LINER BTM FZ
604	WR17X2139	INSULATION DIVIDER
606	WR17X2157	FRONT LINER FZ
608	WR14X0313	FOAM STRIP
608	WR14X0313	FOAM STRIP
608	WR17X2140	LINER TOP FF
609	WR23X0193	SWITCH LIGHT WH
618	WR51X0314	DEFROST HEATER
620	WR50X0102	DEFROST THERMOSTAT
621	WR02X4495	LEAD ASM. W/SLEEVE
621	WR02X7662	BRACKET DEF HTR
622	WR14X0348	GASKET TROUGH
622	WR17X2160	TROUGH DRAIN
624	WR17X2159	COVER FF SUPPLY
626	WR01X5278	CLAMP CABLE
626	WR23X0108	CORD POWER ASM
650	WR60X0173	MOTOR COND.FAN
651	WR01X1714	WASHER, CUSHION
651	WR01X1715	NUT COND. MOTOR
651	WR60X0167	BLADE COND FAN
683	WR01X1716	SCREW FAN MOTOR
725	WR87X0207	HIGH SIDE ASM
726	WR85X0211	MACHINE LOW SIDE
726	WR97X0086	REFRIGERANT
729	WR62X0043	CAPACITOR
730	WR84X0115	CONDENSER ASM
733	WR07X0187	RELAY
734	WR02X7396	COVER-GUARDETTE
735	WR08X0090	GUARDETTE & HARNESS
740	WR86X0083	DRYER
751	WR17X2088	UNIMOUNT
752	WR17X2087	BRACE COMP.

753	WR17X2084	BAFFLE CENTER ASM
754	WR17X2156	BAFFLE ASM LH
755	WR17X2162	BAFFLE ASM R/S
756	WR17X2161	HOUSING COND FAN
758	WR17X2091	PAD-COMP.
759	WR02X7394	GROMMET
760	WR01X1717	SCREW
762	WR14X0313	FOAM STRIP
764	WR02X7667	CLIP COND
766	WR82X0277	FLOOR COMPLETE ASM
32767	WR49X0233	R-E-D SERVICE PKG.