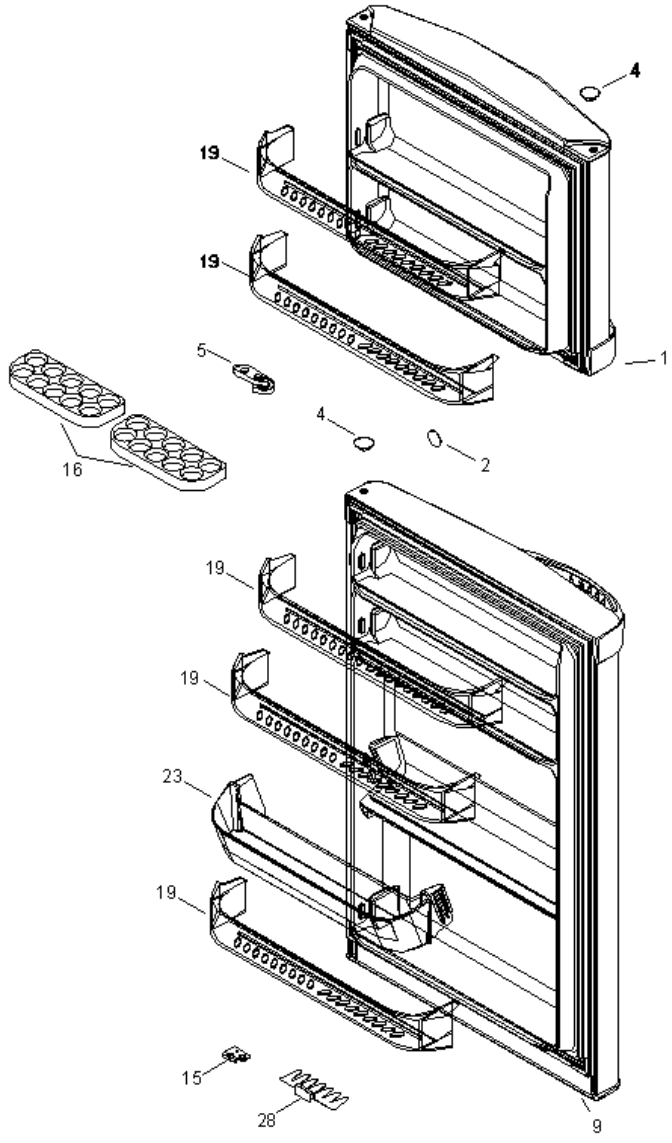
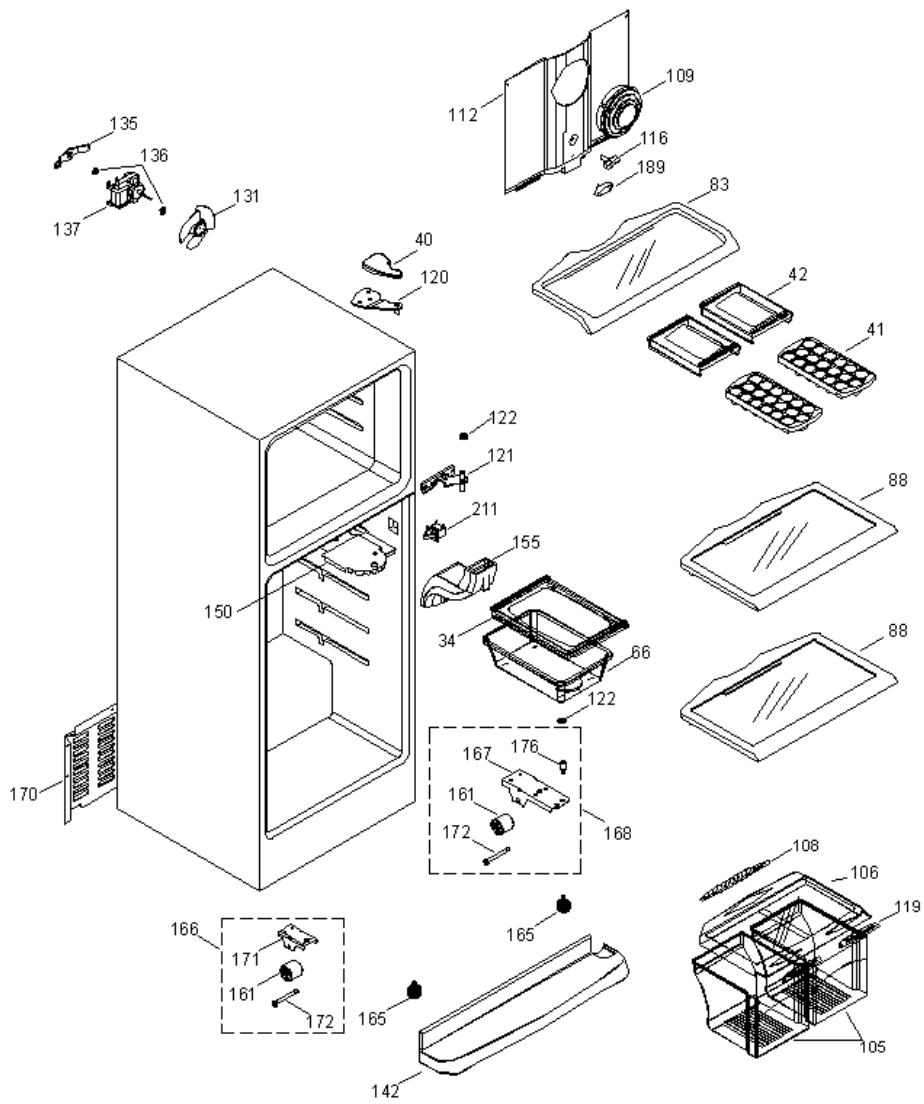


TBX75YB020



TBX75YB020

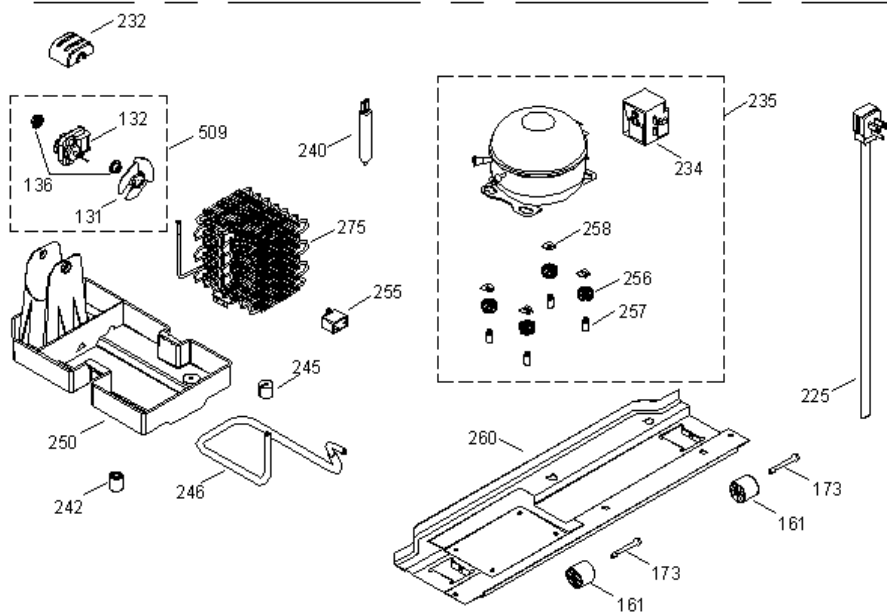
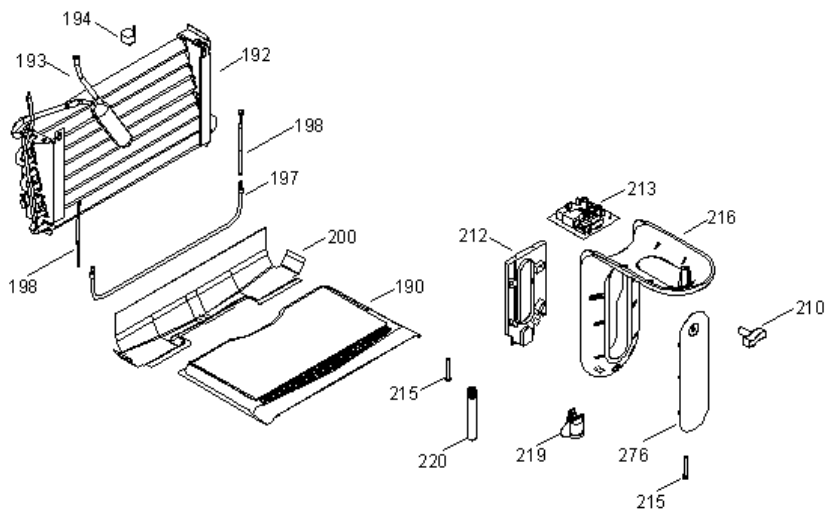


Distribuidor Autorizado

SurteRápido.com

Venta de Refacciones
Electrodomesticas

TBX75YB020





TBX75YB020

1	200D4226G001	PUERTA CURVA MARM. CONG.COMPL. (S/P)
2	238C1846P001	PLACA EMBLEMA G.E (BCO) (S/P)
4	238C1221P001	TAPON BUJE BLANCO (S/P)
5	355B1499P001	TOPE PUERTA CONGELADOR (S/P)
9	200D4192G001	PUERTA CURVA REFRIG ENS BCO (S/P)
15	238C2106P001	TOPE PUERTA REFRIGERADOR (S/P)
16	238C1173P001	CHAROLA DE HUEVOS (S/P)
19	200D1383P002	ANAQUEL ANGOSTO REFRIG/CONG. (S/P)
23	200D4235P001	ANAQUEL INCLINADO (S/P)
28	238C1345P001	SEPARADOR BOTELLAS (S/P)
34	200D2890P001	SOPORTE CAJON CARNES (S/P)
40	200D1480P001	TAPA BISAGRA SUPERIOR DER(BCA) (S/P)
41	200D2953P004	CHAROLA CUBOS DE HIELO (S/P)
42	238C1196P001	SOPORTE CHAROLA DE HIELOS (S/P)
66	200D2889P001	CAJON CARNES (S/P)
83	355B1394G001	PARRILLA DE CRISTAL CONG. ENS. (S/P)
88	355B1099G001	PARRILLA DE CRISTAL REF. ENS. (S/P)
105	200D2697P002	CAJON LEGUMBRES (S/P)
106	238C1326G002	TAPA CAJON LEGUMBRES ENS. (S/P)
108	200D2796P002	INSERTO TAPA CAJON LEGUMBRES (S/P)
109	200D1425P002	DIFUSOR CONGELADOR (S/P)
112	200D3277G003	CUBIERTA EVAPORADOR ENS. (S/P)
116	238C1183P002	PERILLA REGULADOR DE AIRE (S/P)
119	200D2681P001	CONTROL DE HUMEDAD (S/P)
120	200D3939G003	BISAGRA SUPERIOR DERECHA (S/P)
121	355B1718G004	BISAGRA INTERMEDIA (S/P)
122	238C1981P001	RONDANA BISAGRA (S/P)
131	197D3131G002	ASPA VENTILADOR Y ANILLO ENS. (S/P)
132	200D2940P006	MOTOR VENTILADOR CONDENS.
135	238C1189P002	SOPORTE MOTOR VENTILADOR (S/P)
136	221C5143P001	EMPAQUE MOTOR VENTILADOR (S/P)
137	200D2940P005	MOTOR VENTILADOR EVAP.
142	200D4283P001	FALDON CURVO BCO. (S/P)

150	238C1839P001	AISLANTE ELECTRICO (S/P)
155	9001883	DUCTO ESPUMA ENSAMBLE (S/P)
161	238C1208P001	RUEDA REFRIGERADOR (S/P)
165	314B8640P001	TORNILLO NIVELADOR (BCO) (S/P)
166	200D3263G001	SOPORTE RUEDA ENSAMBLE (S/P)
167	238C1165P003	SOPORTE RUEDA C/BIS INF. (S/P)
168	200D3283G001	SOPORTE INF ENS C/BISAGRA BCO (S/P)
170	200D1496P001	TAPA COMPRESOR (S/P)
171	238C1164P003	SOPORTE RUEDA (S/P)
172	238C1826P001	EJE RUEDA DELANTERA (S/P)
173	238C1826P002	EJE RUEDA TRASERA (S/P)
176	238C1211P001	PERNO DE BISAGRA INFERIOR (S/P)
189	238C1596P001	PERILLA PISO CONGELADOR (S/P)
190	200D1400P001	PISO CONGELADOR (S/P)
192	200D2282G004	EVAPORADOR ENS. (S/P)
193	221C8290P003	ACUMULADOR (S/P)
194	238C1015P001	TERMOSTATO DE DESHIELO (S/P)
197	221C6513G001	RESISTENCIA DESHIELO 115-127V (S/P)
198	314B8215G001	ARNES FUSIBLE ENS. (S/P)
200	200D1932P001	CHAROLA DE DESHIELO (S/P)
210	238C1191P002	PERILLA CONTROL DE TEMPERATURA (S/P)
211	314B8274P001	INTERRUPTOR FOCO
212	238C1843G001	DUCTO CAJA CONTROL (S/P)
213	200D2124G001	TARJETA ELECTRONICA
215	314B8355P001	TORNILLO 8-19 HI/LO (S/P)
216	200D1467P001	CAJA CONTROL DE TEMPERATURA (S/P)
219	238C1700G001	SOCKET Y TERM ENS (S/P)
220	238C1464P001	FOCO (40W) (S/P)
225	200D1524G001	ARNES TOMACORRIENTE (S/P)
232	238C2142P001	CLIP MOTOR CONDENSADOR (S/P)
234	355B1492P001	RELEVADOR Y PROTECTOR ENS. (S/P)
235	20601112199	COMPRESOR CBZN122L7G 115-127V (S/P)
240	238C2017P002	FILTRO DESHIDRATADOR (S/P)
242	355B1473P001	VALVULA TUBO DREN (S/P)
245	314B8294P001	AMORTIGUADOR VIBRACION (S/P)
246	200D2589G001	TUBO AUXILIAR ENS. (S/P)
250	200D4016P001	CHAROLA EVAPORACION (S/P)
255	203C2799P004	CAPACITOR

256	203C5262P001	AMORTIGUADOR (S/P)
257	243B2396P001	BUJE COMPRESOR (S/P)
258	871516P006	SEGURO DE SUJECION COMPRESOR (S/P)
260	200D2234P002	SOPORTE COMPRESOR (S/P)
275	9001781	CONDENSADOR ENS. (S/P)
276	200D2802P016	PROTECTOR PANTALLA (S/P)
509	355B1403G002	VENTILADOR CONDENSADOR ENS. (S/P)