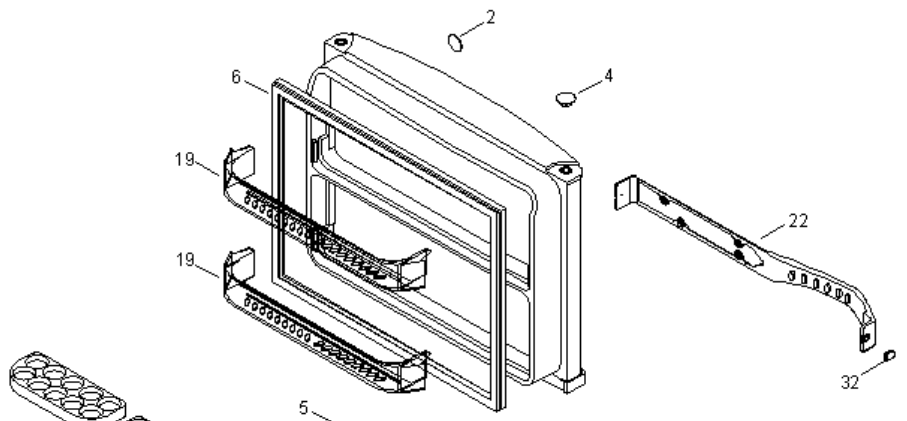
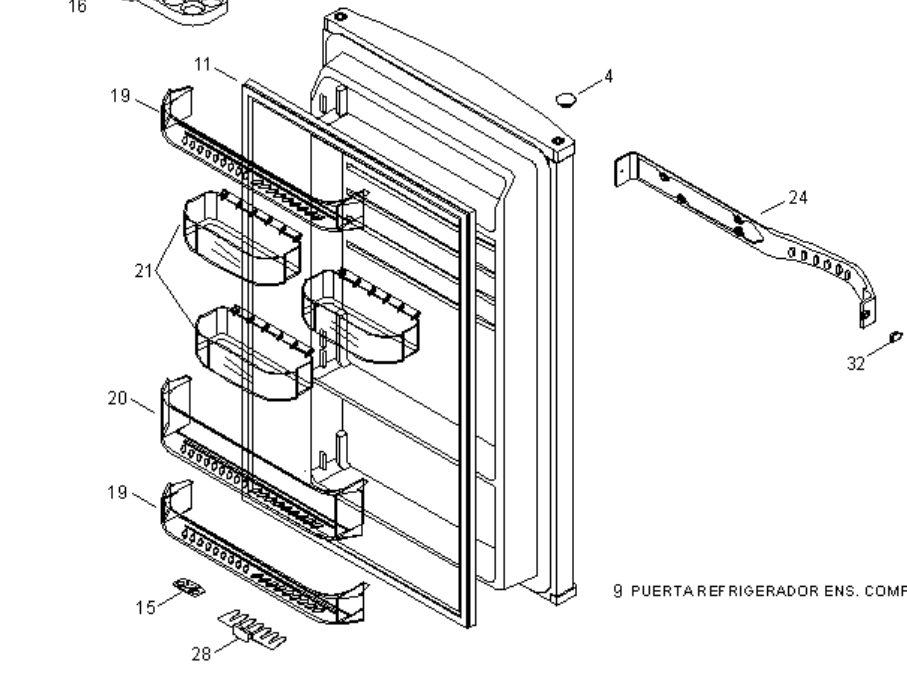


TBX76ZB010

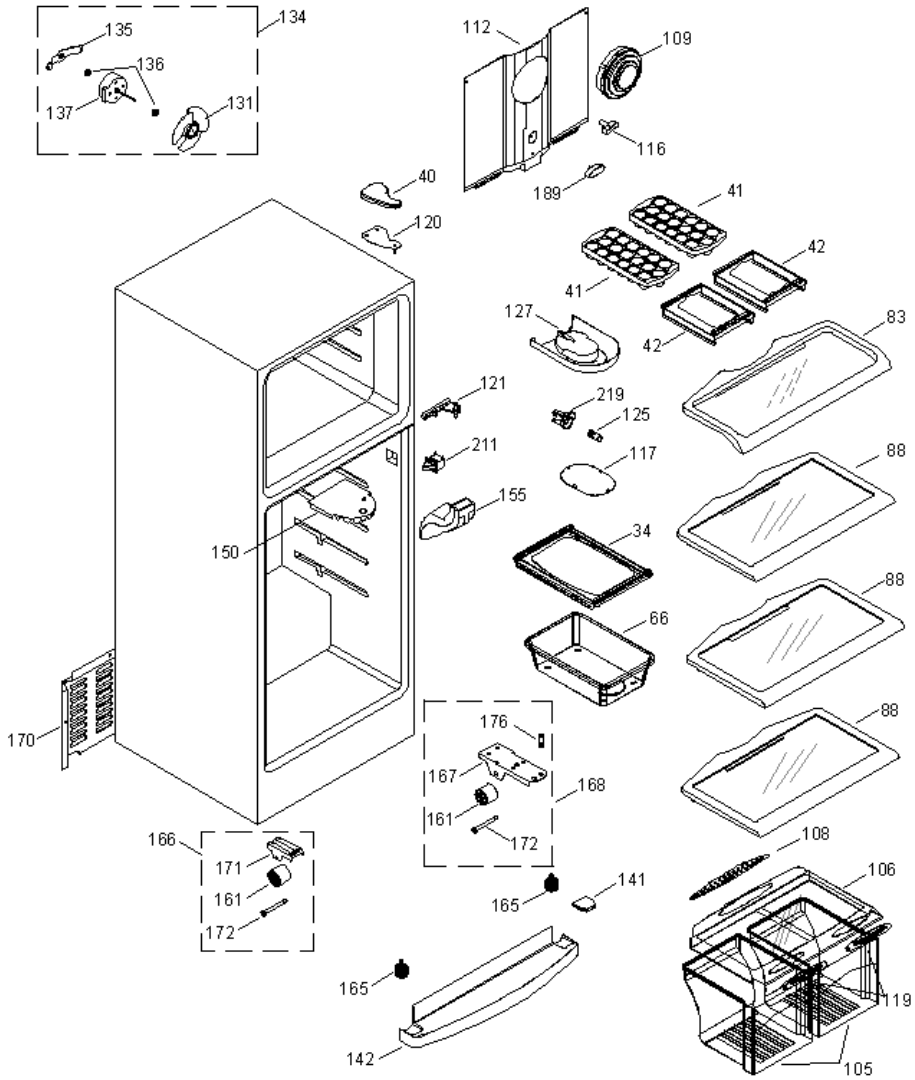


1 PUERTA CONGELADOR ENS. COMPL.

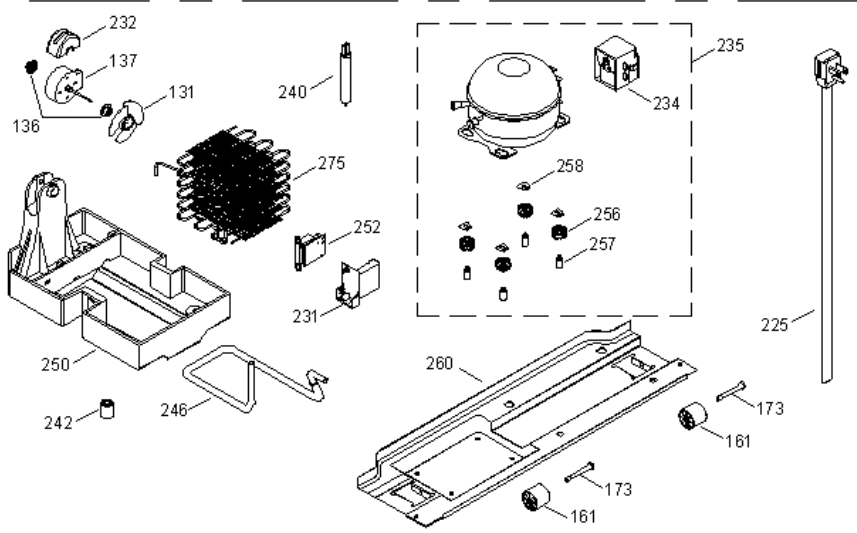
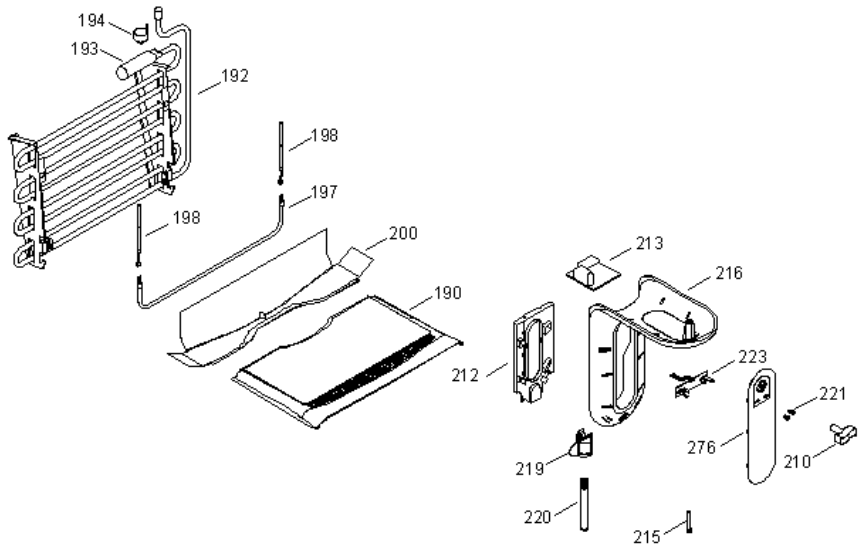


9 PUERTA REFRIGERADOR ENS. COMPL.

TBX76ZB010



TBX76ZB010





TBX76ZB010

1	200D1599G003	PUERTA CURVA MARM.COMG.COMPL (S/P)
2	238C1846P001	PLACA EMBLEMA G.E (BCO) (S/P)
4	238C1221P001	TAPON BUJE BLANCO (S/P)
5	186D1736P001	TOPE PUERTA CONGELADOR (S/P)
6	200D3513P001	SELLO MAGNETICO CONGELADOR BCO (S/P)
9	200D1601G003	PUERTA CURVA MARM.REFRIG.COMPL (S/P)
11	200D3513P003	SELLO MAGNETICO (BCO) (S/P)
15	221C5251P002	TOPE PUERTA REFRIGERADOR (S/P)
16	238C1173P001	CHAROLA DE HUEVOS (S/P)
19	200D1383P002	ANAQUEL ANGOSTO REFRIG/CONG. (S/P)
20	200D1384P002	ANAQUEL ANCHO REFRIGERADOR (S/P)
21	238C1155P001	ANAQUEL DESLIZABLE (S/P)
22	200D1628G001	JALADERA PUERTA CONG. ENS. (S/P)
24	200D1628G009	JALADERA PUERTA REFRIG. ENS. (S/P)
28	238C1345P001	SEPARADOR BOTELLAS (S/P)
32	238C1220P001	TAPA TORNILLO JALADERA BCA. (S/P)
34	200D2890P001	SOPORTE CAJON CARNES (S/P)
40	200D1480P001	TAPA BISAGRA SUPERIOR DER(BCA) (S/P)
41	200D2953P004	CHAROLA CUBOS DE HIELO (S/P)
42	238C1196P001	SOPORTE CHAROLA DE HIELOS (S/P)
66	200D2889P001	CAJON CARNES (S/P)
83	355B1394G001	PARRILLA DE CRISTAL CONG. ENS. (S/P)
88	355B1099G001	PARRILLA DE CRISTAL REF. ENS. (S/P)
105	200D2697P002	CAJON LEGUMBRES (S/P)
106	238C1326G002	TAPA CAJON LEGUMBRES ENS. (S/P)
108	200D2796P002	INSERTO TAPA CAJON LEGUMBRES (S/P)
109	200D1425P002	DIFUSOR CONGELADOR (S/P)
112	200D3277G004	CUBIERTA EVAPORADOR ENS. (S/P)
116	238C1183P002	PERILLA REGULADOR DE AIRE (S/P)
117	238C1184P001	PROTECTOR LAMPARA CONG. (S/P)
119	200D2681P001	CONTROL DE HUMEDAD (S/P)
120	200D1479G001	BISAGRA SUPERIOR Y PERNO ENS. (S/P)
121	186D1739P001	BISAGRA INTERMEDIA (S/P)

125	238C1490P001	FOCO CONGELADOR 15 WT (S/P)
127	200D1422P001	SOPORTE LAMPARA CONGELADOR (S/P)
131	197D3131G002	ASPA VENTILADOR Y ANILLO ENS. (S/P)
131	197D3131G002	ASPA VENTILADOR Y ANILLO ENS. (S/P)
134	355B1403G001	VENTILADOR COND. ENS. (S/P)
135	238C1189P001	SOPORTE MOTOR VENTILADOR (S/P)
136	221C5143P001	EMPAQUE MOTOR VENTILADOR (S/P)
137	MAR770	MOTOR VENT EVAP (110V)
141	355B1315P001	TAPA FALDON BLANCA (S/P)
142	200D2779P001	FALDON CURVO BCO. (S/P)
150	238C1839P001	AISLANTE ELECTRICO (S/P)
155	238C1850G001	DUCTO ESPUMA ENS. (S/P)
161	238C1208P001	RUEDA REFRIGERADOR (S/P)
165	314B8640P001	TORNILLO NIVELADOR (BCO) (S/P)
166	200D3263G001	SOPORTE RUEDA ENSAMBLE (S/P)
167	238C1165P003	SOPORTE RUEDA C/BIS INF. (S/P)
168	200D3283G001	SOPORTE INF ENS C/BISAGRA BCO (S/P)
170	200D1496P001	TAPA COMPRESOR (S/P)
171	238C1164P003	SOPORTE RUEDA (S/P)
172	238C1826P001	EJE RUEDA DELANTERA (S/P)
173	238C1826P002	EJE RUEDA TRASERA (S/P)
176	238C1211P001	PERNO DE BISAGRA INFERIOR (S/P)
189	238C1596P001	PERILLA PISO CONGELADOR (S/P)
190	200D1400P001	PISO CONGELADOR (S/P)
192	200D2282G001	EVAPORADOR ESTRIADO ENS. (S/P)
193	221C8290P002	ACUMULADOR (S/P)
194	238C1015P001	TERMOSTATO DE DESHIELO (S/P)
197	221C6513G001	RESISTENCIA DESHIELO 115-127V (S/P)
198	314B8215G001	ARNES FUSIBLE ENS. (S/P)
200	200D1932P001	CHAROLA DE DESHIELO (S/P)
210	238C1191P002	PERILLA CONTROL DE TEMPERATURA (S/P)
211	18806	INTERRUPTOR FOCO
212	238C1843G001	DUCTO CAJA CONTROL (S/P)
213	MAR780	TARJETA ELECTRONICA
215	314B8355P002	TORNILLO 8-19 HI/LO (S/P)
216	200D1467P001	CAJA CONTROL DE TEMPERATURA (S/P)
219	238C1700G001	SOCKET Y TERM ENS (S/P)
220	238C1464P001	FOCO (40W) (S/P)

221	238C1186P001	BOTON CONTROL (S/P)
223	238C1848P001	DISPLAY DESCONTINUADO
225	200D1524P001	ARNES TOMACORRIENTE (S/P)
231	355B1407P001	PROTECTOR FUENTE DE PODER (S/P)
232	355B1391P001	CLIP MOTOR CONDENSADOR (S/P)
234	355B1492P001	RELEVADOR Y PROTECTOR ENS. (S/P)
235	20601112199	COMPRESOR CBZN122L7G 115-127V (S/P)
240	221C5100P002	FILTRO DESHIDRATADOR (S/P)
242	355B1473P001	VALVULA TUBO DREN (S/P)
246	200D2589G001	TUBO AUXILIAR ENS. (S/P)
250	200D1498P001	CHAROLA EVAPORACION (S/P)
252	MAR765	FUENTE DE PODER 120V
256	203C5262P001	AMORTIGUADOR (S/P)
257	243B2396P001	BUJE COMPRESOR (S/P)
258	871516P006	SEGURO DE SUJECION COMPRESOR (S/P)
260	200D2234P002	SOPORTE COMPRESOR (S/P)
275	200D3177G001	CONDENSADOR ENS. (S/P)
276	200D2802P005	PROTECTOR PANTALLA (S/P)