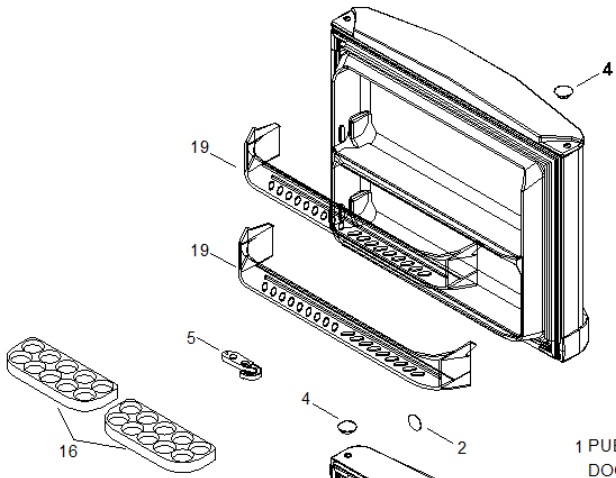
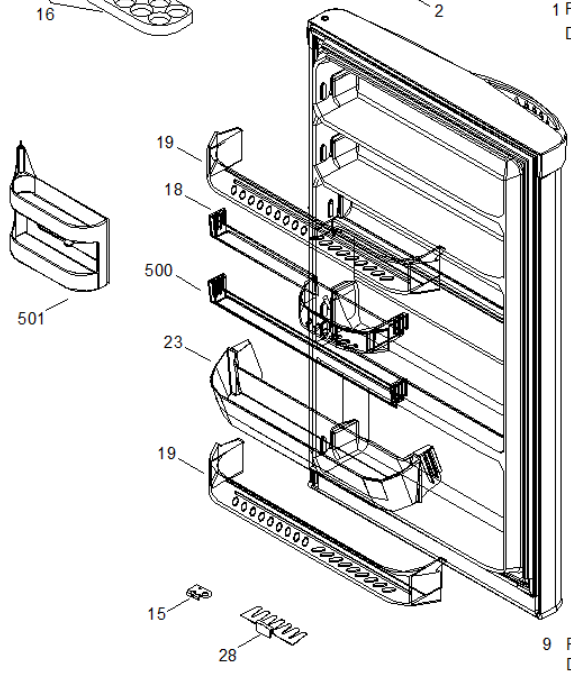


**TBX77ZL020**

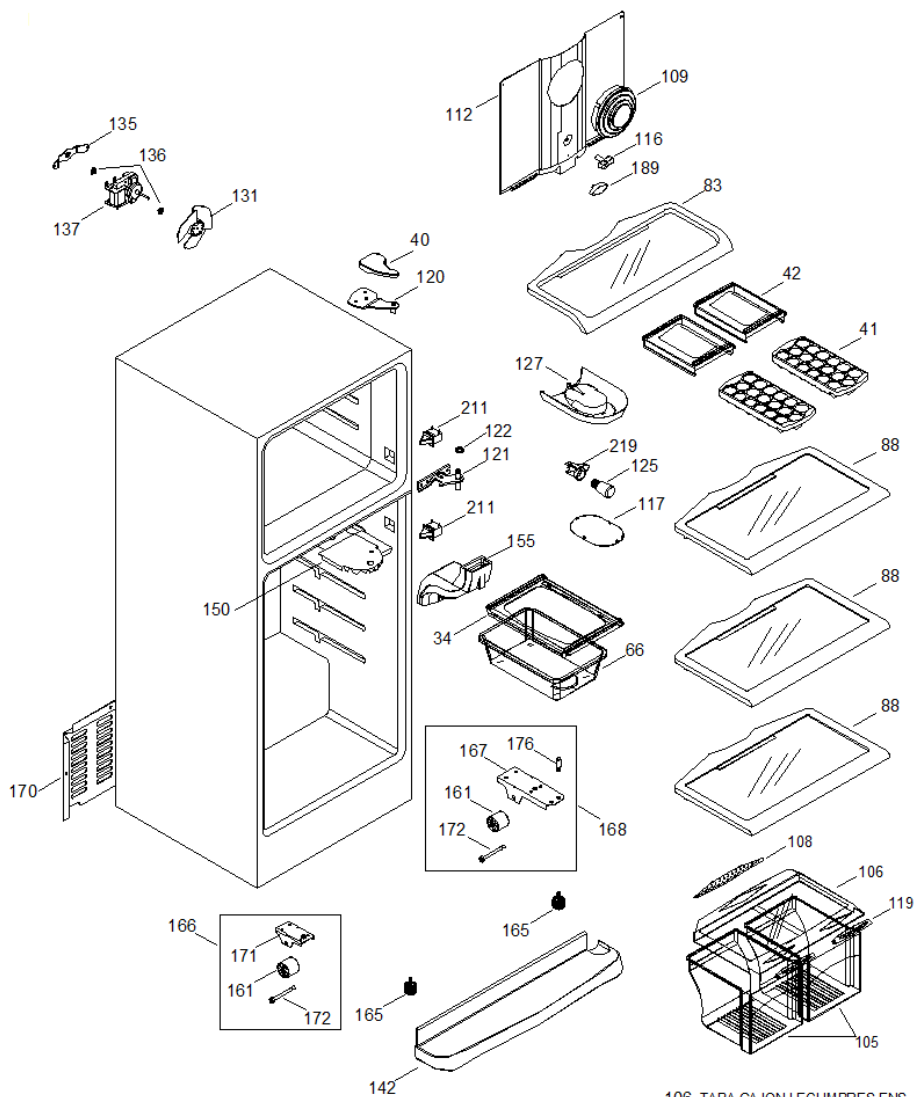


1 PUERTA CONGELADOR ENS. COMPL.  
 DOOR FZ ASM.



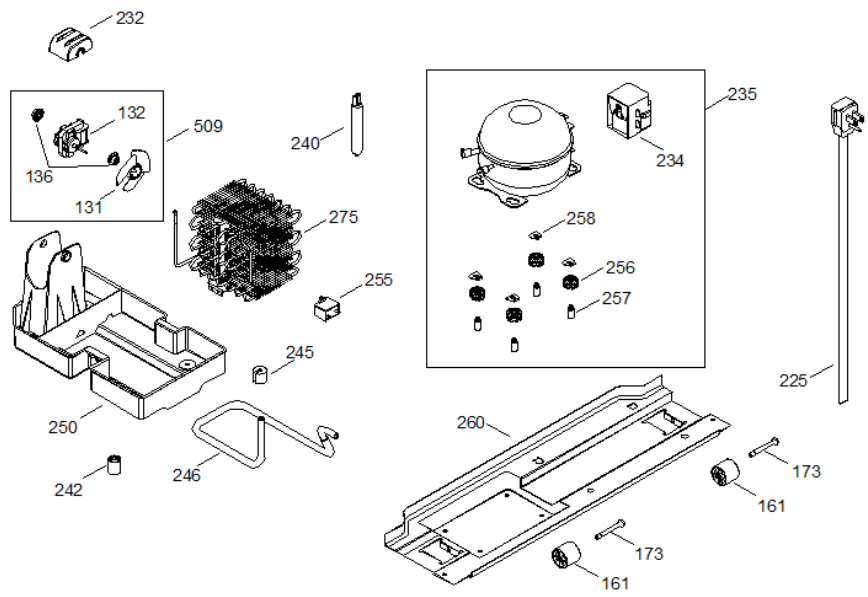
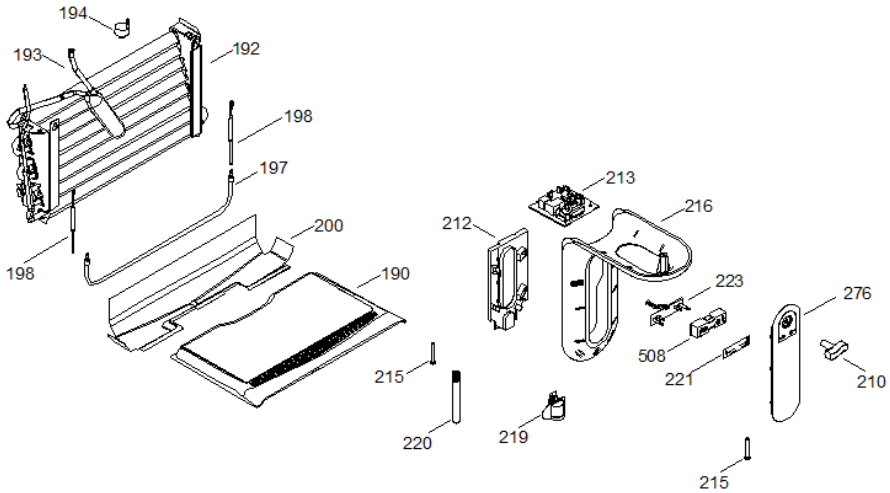
9 PUERTA REFRIGADOR ENS. COMPL.  
 DOOR FF ASM.

**TBX77ZL020**



106 TAPA CAJON LEGUMBRES ENS. VEG. PAN ASM.

**TBX77ZL020**





TBX77ZL020

|     |               |                                |
|-----|---------------|--------------------------------|
| 1   | 200D4226G002E | PUERTA CURVA MARM. CONG.COMPL. |
| 1   | 200D4226G002E | PUERTA CURVA MARM. CONG.COMPL. |
| 1   | 200D4226G002E | PUERTA CURVA MARM. CONG.COMPL. |
| 2   | 238C1846P001  | PLACA EMBLEMA G.E (BCO)        |
| 4   | 238C1221P002  | TAPON BUJE ALMENDRA            |
| 5   | 355B1499P002  | TOPE PUERTA CONGELADOR         |
| 9   | 200D4222G002  | PUERTA CURVA MARM.REFRIG.COMPL |
| 9   | 200D4222G002  | PUERTA CURVA MARM.REFRIG.COMPL |
| 15  | 238C2106P001  | TOPE PUERTA REFRIGERADOR       |
| 16  | 238C1173P001  | CHAROLA DE HUEVOS              |
| 18  | 200D4233P001  | ANAQUEL DOBLE PROFUNDIDAD      |
| 19  | 200D1383P002  | ANAQUEL ANGOSTO REFRIG/CONG.   |
| 23  | 200D4235P001  | ANAQUEL INCLINADO              |
| 28  | 238C1345P001  | SEPARADOR BOTELLAS             |
| 34  | 200D2890P001  | SOPORTE CAJON CARNES           |
| 40  | 200D1480P002  | TAPA BISAGRA ALMENDRA          |
| 41  | 200D2953P004  | CHAROLA CUBOS DE HIELO         |
| 42  | 238C1196P001  | SOPORTE CHAROLA DE HIELOS      |
| 66  | 200D2889P001  | CAJON CARNES                   |
| 83  | 355B1394G001  | PARRILLA DE CRISTAL CONG. ENS. |
| 88  | 355B1099G001  | PARRILLA DE CRISTAL REF. ENS.  |
| 105 | 200D2697P002  | CAJON LEGUMBRES                |
| 106 | 238C1326G002  | TAPA CAJON LEGUMBRES ENS.      |
| 108 | 200D2796P002  | INSERTO TAPA CAJON LEGUMBRES   |
| 109 | 200D1425P002  | DIFUSOR CONGELADOR             |
| 112 | 200D3277G003  | CUBIERTA EVAPORADOR ENS.       |
| 116 | 238C1183P002  | PERILLA REGULADOR DE AIRE      |
| 117 | 238C1184P001  | PROTECTOR LAMPARA CONG.        |
| 119 | 200D2681P001  | CONTROL DE HUMEDAD             |
| 120 | 200D3939G003  | BISAGRA SUPERIOR DERECHA       |
| 121 | 355B1718G005  | BISAGRA INTERMEDIA             |
| 122 | 238C1981P001  | RONDANA BISAGRA                |
| 125 | 238C1490P001  | FOCO CONGELADOR 15 WT          |

|     |              |                                |
|-----|--------------|--------------------------------|
| 127 | 200D1422P001 | SOPORTE LAMPARA CONGELADOR     |
| 131 | 197D3131G002 | ASPA VENTILADOR Y ANILLO ENS.  |
| 131 | 197D3131G002 | ASPA VENTILADOR Y ANILLO ENS.  |
| 132 | 200D2940P006 | MOTOR VENTILADOR CONDENS.      |
| 135 | 238C1189P002 | SOPORTE MOTOR VENTILADOR       |
| 136 | 221C5143P001 | EMPAQUE MOTOR VENTILADOR       |
| 137 | 200D2940P005 | MOTOR VENTILADOR EVAP.         |
| 137 | 200D2940P005 | MOTOR VENTILADOR EVAP.         |
| 137 | 200D2940P005 | MOTOR VENTILADOR EVAP.         |
| 142 | 200D4283P002 | FALDO CURVO ALM.               |
| 150 | 238C1839P001 | AISLANTE ELECTRICO             |
| 155 | 9001883      | DUCTO ESPUMA ENSAMBLE          |
| 161 | 238C1208P001 | RUEDA REFRIGERADOR             |
| 165 | 314B8640P002 | TORNILLO NIVELADOR (ALM)       |
| 166 | 200D3263G002 | SOPORTE RUEDA ENSAMBLE         |
| 167 | 238C1165P004 | SOPORTE RUEDA C/BIS INF.       |
| 168 | 200D3283G002 | BISGRA INF. ENSAMBLE           |
| 170 | 200D1496P001 | TAPA COMPRESOR                 |
| 171 | 238C1164P004 | SOPORTE RUEDA                  |
| 172 | 238C1826P001 | EJE RUEDA DELANTERA            |
| 173 | 238C1826P002 | EJE RUEDA TRASERA              |
| 176 | 238C1211P001 | PERNO DE BISAGRA INFERIOR      |
| 189 | 238C1596P001 | PERILLA PISO CONGELADOR        |
| 190 | 200D1400P001 | PISO CONGELADOR                |
| 192 | 200D2282G004 | EVAPORADOR ENS.                |
| 193 | 221C8290P003 | ACUMULADOR                     |
| 194 | 238C1015P001 | TERMOSTATO DE DESHIELO         |
| 197 | 221C6513G001 | RESISTENCIA DESHIELO 115-127V  |
| 198 | 314B8215G001 | ARNES FUSIBLE ENS.             |
| 200 | 200D1932P001 | CHAROLA DE DESHIELO            |
| 210 | 238C1191P002 | PERILLA CONTROL DE TEMPERATURA |
| 211 | 314B8274P001 | INTERRUPTOR FOCO               |
| 212 | 238C1843G001 | DUCTO CAJA CONTROL             |
| 213 | 200D2124G001 | TARJETA ELECTRONICA            |
| 213 | 200D2124G001 | TARJETA ELECTRONICA            |
| 215 | 314B8355P001 | TORNILLO 8-19 HI/LO            |
| 216 | 200D1467P001 | CAJA CONTROL DE TEMPERATURA    |
| 219 | 238C1700G001 | SOCKET Y TERM ENS              |

|     |              |                               |
|-----|--------------|-------------------------------|
| 220 | 238C1464P001 | FOCO (40W)                    |
| 221 | 355B1648P002 | BOTON CONTROL                 |
| 223 | 238C1848P002 | DISPLAY                       |
| 225 | 200D1524G001 | ARNES TOMACORRIENTE           |
| 232 | 238C2142P001 | CLIP MOTOR CONDENSADOR        |
| 234 | 355B1492P001 | RELEVADOR Y PROTECTOR ENS.    |
| 235 | 20601112199  | COMPRESOR CBZN122L7G 115-127V |
| 240 | 238C2017P002 | FILTRO DESHIDRATADOR          |
| 242 | 355B1473P001 | VALVULA TUBO DREN             |
| 245 | 314B8294P001 | AMORTIGUADOR VIBRACION        |
| 246 | 200D2589G001 | TUBO AUXILIAR ENS.            |
| 250 | 200D4016P001 | CHAROLA EVAPORACION           |
| 255 | 203C2799P004 | CAPACITOR                     |
| 256 | 203C5262P001 | AMORTIGUADOR                  |
| 257 | 243B2396P001 | BUJE COMPRESOR                |
| 258 | 871516P006   | SEGURO DE SUJECION COMPRESOR  |
| 260 | 200D2234P002 | SOPORTE COMPRESOR             |
| 275 | 9001781      | CONDENSADOR ENS.              |
| 276 | 200D2802P015 | PROTECTOR PANTALLA            |
| 500 | 200D4234P001 | ANAQUEL MEDIA PROFUNDIDAD     |
| 501 | 200D4381G002 | GAVETA ENSAMBLE               |
| 508 | 355B1647P001 | SOPORTE DISPLAY               |
| 509 | 355B1403G002 | VENTILADOR CONDENSADOR ENS.   |