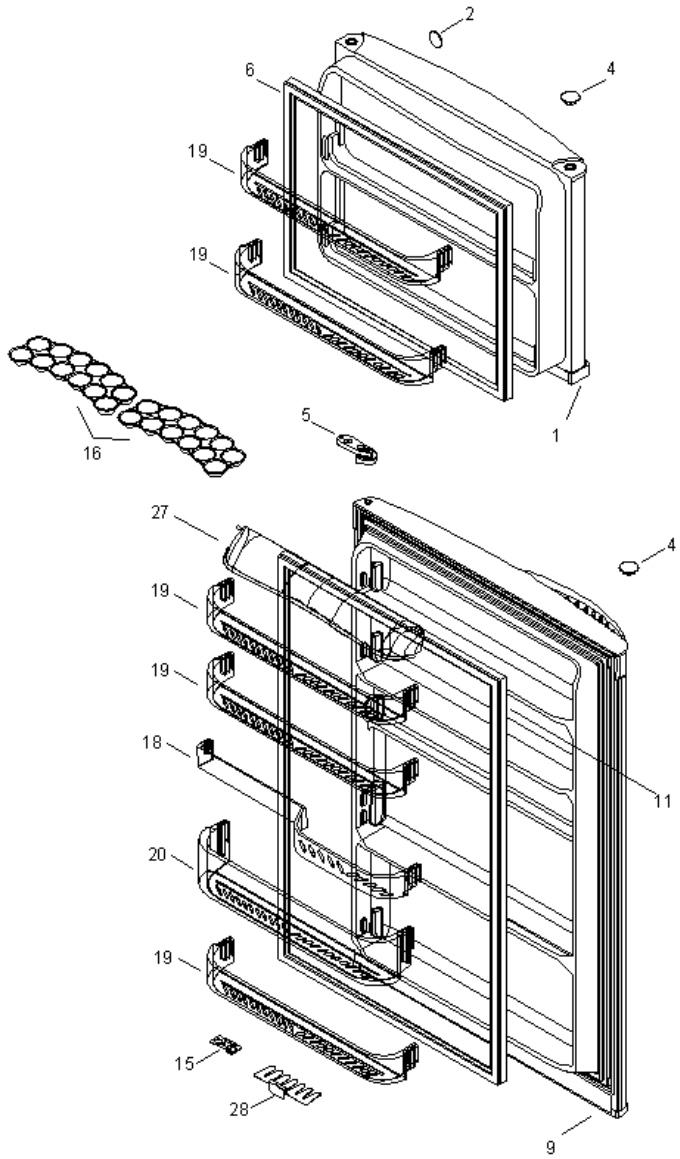
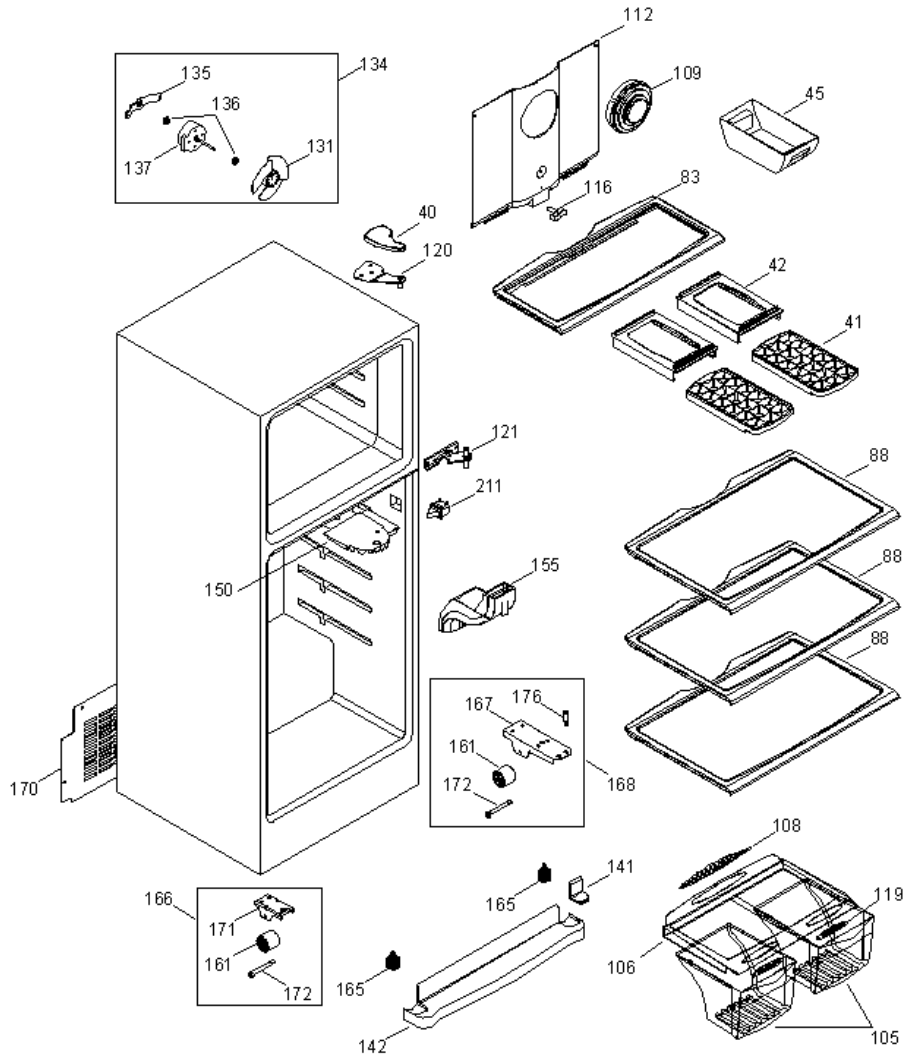


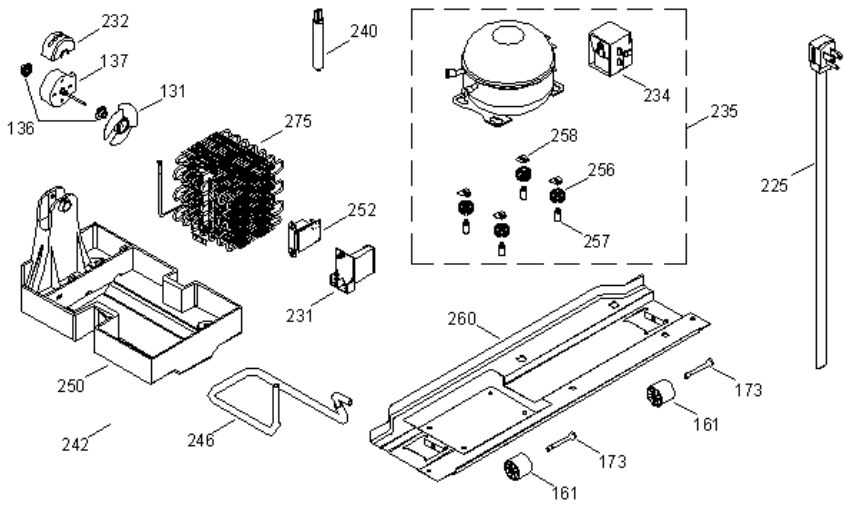
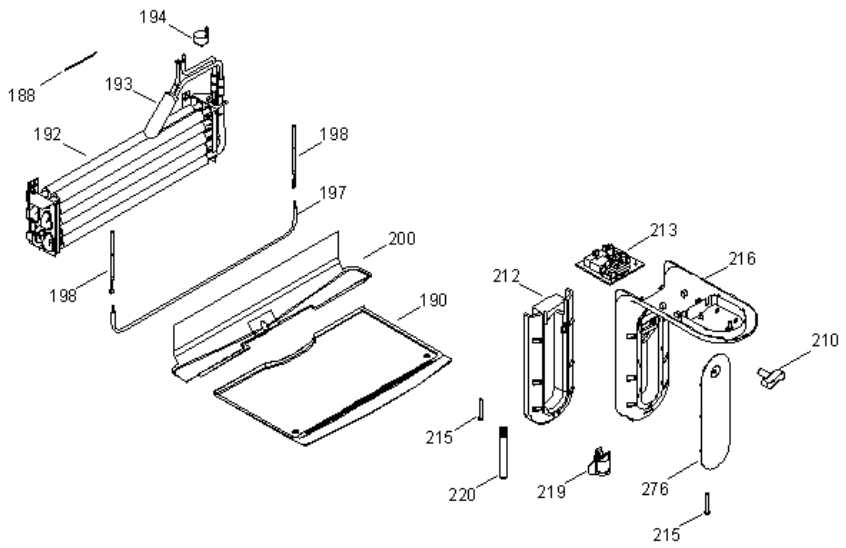
TBX87YB010



TBX87YB010



TBX87YB010





TBX87YB010

1	200D3623G004	PUERTA CURVA LISA CONG. COMPL. (S/P)
2	238C1846P001	PLACA EMBLEMA G.E (BCO) (S/P)
4	238C1221P001	TAPON BUJE BLANCO (S/P)
5	355B1499P001	TOPE PUERTA CONGELADOR (S/P)
6	200D3604P010	SELLO MAGNETICO CONGELADOR BCO (S/P)
9	200D3622G004	PUERTA CURVA LISA REFRIG.COMPL (S/P)
11	200D3604P011	SELLO MAGNETICO (BCO) (S/P)
15	221C5251P002	TOPE PUERTA REFRIGERADOR (S/P)
16	238C1592P002	CHAROLA DE HUEVOS (S/P)
18	200D2315P001	ANAQUEL DOBLE PROFUNDIDAD (S/P)
19	200D2313P001	ANAQUEL ANGOSTO CONG/REFRIG. (S/P)
20	200D2314P001	ANAQUEL ANCHO (S/P)
27	200D3486P001	PUERTA MANTEQUILLERA (S/P)
28	238C1345P001	SEPARADOR BOTELLAS (S/P)
40	200D1480P001	TAPA BISAGRA SUPERIOR DER(BCA) (S/P)
41	200D2953P004	CHAROLA CUBOS DE HIELO (S/P)
42	238C1599P001	SOPORTE CHAROLAS DE HIELOS (S/P)
45	186D1364P005	CAJON PARA HIELO (S/P)
83	200D2379G001	PARRILLA DE CRISTAL CONG. ENS (S/P)
88	200D2377G001	PARRILLA DE CRISTAL REF. ENS. (S/P)
105	200D2348P001	CAJON LEGUMBRES (S/P)
106	200D2428G003	TAPA CAJON LEGUMBRES ENS. (S/P)
108	200D2796P002	INSERTO TAPA CAJON LEGUMBRES (S/P)
109	200D3473P002	DIFUSOR CONGELADOR (S/P)
109	200D3473P002	DIFUSOR CONGELADOR (S/P)
112	200D3137G003	CUBIERTA EVAPORADOR ENS. (S/P)
116	238C1183P002	PERILLA REGULADOR DE AIRE (S/P)
119	200D2681P001	CONTROL DE HUMEDAD (S/P)
120	200D3930G003	BISAGRA SUPERIOR (S/P)
121	355B1531G004	BISAGRA INTERMEDIA (S/P)
131	197D3131G002	ASPA VENTILADOR Y ANILLO ENS. (S/P)
131	197D3131G002	ASPA VENTILADOR Y ANILLO ENS. (S/P)
134	355B1403G001	VENTILADOR COND. ENS. (S/P)

135	238C1189P001	SOPORTE MOTOR VENTILADOR (S/P)
136	221C5143P001	EMPAQUE MOTOR VENTILADOR (S/P)
137	MAR770	MOTOR VENT EVAP (110V)
141	355B1456P001	TAPA FALDON BLANCA (S/P)
142	200D3093P001	FALDON CURVO BCO. (S/P)
150	238C1839P001	AISLANTE ELECTRICO (S/P)
155	200D3615G001	DUCTO ESPUMA ENSAMBLE
161	238C1208P001	RUEDA REFRIGERADOR (S/P)
165	314B8640P001	TORNILLO NIVELADOR (BCO) (S/P)
166	200D3263G001	SOPORTE RUEDA ENSAMBLE (S/P)
167	238C1165P003	SOPORTE RUEDA C/BIS INF (S/P)
168	200D3283G001	SOPORTE INF ENS C/BISAGRA BCO (S/P)
170	200D2305P001	TAPA COMPRESOR (S/P)
171	238C1164P003	SOPORTE RUEDA (S/P)
172	238C1826P001	EJE RUEDA DELANTERA (S/P)
173	238C1826P002	EJE RUEDA TRASERA (S/P)
176	238C1211P001	PERNO DE BISAGRA INFERIOR (S/P)
188	8013405	TERMISTOR SENSOR DE DESHIELO (S/P)
188	8013405	TERMISTOR SENSOR DE DESHIELO (S/P)
190	200D3332P001	PISO CONGELADOR (S/P)
192	200D2295G001	EVAPORADOR ESTRIADO ENS. (S/P)
193	221C8290P003	ACUMULADOR (S/P)
194	238C1015P001	TERMOSTATO DE DESHIELO (S/P)
197	221C5174G002	RESISTENCIA DE DESHIELO (127V) (S/P)
198	314B8215G001	ARNES FUSIBLE ENS. (S/P)
200	200D2302P001	CHAROLA DE DESHIELO (S/P)
210	238C1191P002	PERILLA CONTROL DE TEMPERATURA (S/P)
211	18806	INTERRUPTOR FOCO
212	238C1582P001	DUCTO CAJA CONTROL (S/P)
213	MAR783	TARJETA ELECTRONICA
215	314B8355P001	TORNILLO 8-19 HI/LO (S/P)
216	200D2501P001	CAJA CONTROL DE TEMPERATURA (S/P)
219	238C1700G001	SOCKET Y TERM ENS (S/P)
220	238C1464P001	FOCO (40W) (S/P)
225	200D1524G001	ARNES TOMACORRIENTE (S/P)
231	355B1407P001	PROTECTOR FUENTE DE PODER (S/P)
232	355B1391P001	CLIP MOTOR CONDENSADOR (S/P)
234	355B1492P002	RELEVADOR Y PROTECTOR ENS. (S/P)

235	20601114199	COMPRESOR CBZN142L7 115-127/60 (S/P)
240	221C5100P002	FILTRO DESHIDRATADOR (S/P)
242	355B1473P001	VALVULA TUBO DREN (S/P)
246	238C1628G001	TUBO AUXILIAR ENS. (S/P)
250	200D1498P001	CHAROLA EVAPORACION (S/P)
252	MAR765	FUENTE DE PODER 120V
256	203C5262P001	AMORTIGUADOR (S/P)
257	243B2396P001	BUJE COMPRESOR (S/P)
258	871516P006	SEGURO DE SUJECION COMPRESOR (S/P)
260	200D2303P001	SOPORTE COMPRESOR (S/P)
275	9001840	CONDENSADOR ENS. (S/P)
276	200D3639P009	PROTECTOR PANTALLA (S/P)