





## TFH24PRSA A PUERTA CONGELADOR

3	WR2X8669	FASTENER TUBULAR (S/P)
6	WR12X858	<b>DESCONTINUADO</b>
6	WR12X848	INSERT HANDLE CHANNEL WH
6	WR12X850	INSERT CHANNEL HANDLE AD (S/P)
7	WR12X869	HANDLE ASM WH
7	WR12X870	HANDLE ASM AD (S/P)
7	WR12X871	<b>DESCONTINUADO</b>
8	WR12X1060	CHANNEL HANDLE (S/P)
9	WR12X1061	CHANNEL HANDLE (S/P)
10	WR1X1766	SCREW (S/P)
11	WR38X1924	<b>DESCONTINUADO</b>
11	WR38X1838	TRIM ASM DISP WH (S/P)
11	WR38X1925	TRIM ASM DISP BK (S/P)
14	WR24X537	<b>DESCONTINUADO</b>
14	WZ5X164	SCREW FAN MOTOR TO BRCKT (S/P)
14	WR24X530	GASKET DOOR FRZ (S/P)
15	WR17X1167	RETAINER STRIP (S/P)
18	WR17X1169	RETAINER STRIP (S/P)
19	WR77X601	DOOR INNER FZ (S/P)
21	WR17X3816	FRONT DOOR SHELF (S/P)
23	WR17X3211	FRONT DOOR SHELF (S/P)
28	WR2X8576	CAP END HANDLE (S/P)
29	WR49X350	HARNESS DR HINGE FZ (S/P)
31	WR2X8656	GRILLE RECESS CH (S/P)
32	WR17X10191	RECESS DISP AD (S/P)
32	WR17X10514	RECESS DISP BK
32	WR17X10190	RECESS DISP WH (S/P)
33	WR51X353	HEATER RECESS (S/P)
36	WR62X107	SOLENOID & BRACKET ASM
39	WR55X129	MODULE TIME DELAY
41	WR17X3493	CRADLE ACTUATOR (S/P)
42	WR2X8650	CLIP WATER GROMMET (S/P)
45	WR1X1854	SCR 5-20 HILO PHR 5/16 S (S/P)

45	WR2X8818	RETAINER RECESS DOOR (S/P)
46	WR2X8702	PAD ACTUATOR WH (S/P)
46	WR2X8726	PAD ACTUATOR AD (S/P)
47	WR2X8681	SUPPORT ACTUATOR PAD BK (S/P)
47	WR2X8727	SUPPORT ACTUATOR PAD AD (S/P)
47	WR2X8681	SUPPORT ACTUATOR PAD WH (S/P)
48	WR2X8723	KNOB RECESS DISP CH (S/P)
53	WR17X3213	<b>DESCONTINUADO</b>
53	WR17X3212	<b>DESCONTINUADO</b>
53	WR17X3208	NAMEPLATE RECESS ASM AD (S/P)
54	WR17X3931	INSULATION RECESS (S/P)
56	WR2X8662	SOCKET LAMP (S/P)
56	WR2X8686	REFLECTOR LAMP SOCKET (S/P)
58	WR17X3156	SHIELD RECESS DISP BK (S/P)
58	WR17X3210	SHIELD RECESS DISP AD (S/P)
58	WR17X3166	SHIELD RECESS DISP WH (S/P)
60	WR2X8685	COVER ELECT (S/P)
61	WR17X3145	<b>DESCONTINUADO</b>
62	WR17X11653	DOOR RECESS ASM
63	WR2X8663	SPRING RECESS DOOR
65	WZ4X230	SCREW (S/P)
67	WR17X3089	CRANK DOOR RECESS
69	WR17X3095	FUNNEL RECESS SHIELD BK (S/P)
70	WR2X8954	SUPT. FUNNEL & GUARD WH (S/P)
70	WR2X8943	SUPT. FUNNEL & GUARD BK (S/P)
71	WR17X3172	DEFLECTOR ICE WH (S/P)
71	WR17X10282	DEFLECTOR ICE AD (S/P)
72	WR23X366	SWITCH CRADLE ACTUATOR (S/P)
75	WR17X3670	GROMMET & TUBE ASM (S/P)
76	WR2X4633	SPRING PROTECT WIRE/TUBE (S/P)
80	WR2X4265	CLAMP (S/P)
80	WR2X8545	NUT & UNION ASM (S/P)
87	WZ4X241	SCREW (S/P)
110	WR2X8989	SUPPORT TWIST BUMPER (S/P)
113	WR2X7871	CAP TRIM HANDLE (S/P)
121	WR12X859	INSERT HANDLE CHANNEL BK (S/P)
121	WR12X1029	INSERT HANDLE CHANNEL WH
121	WR12X851	INSERT CHANNEL HANDLE AD (S/P)

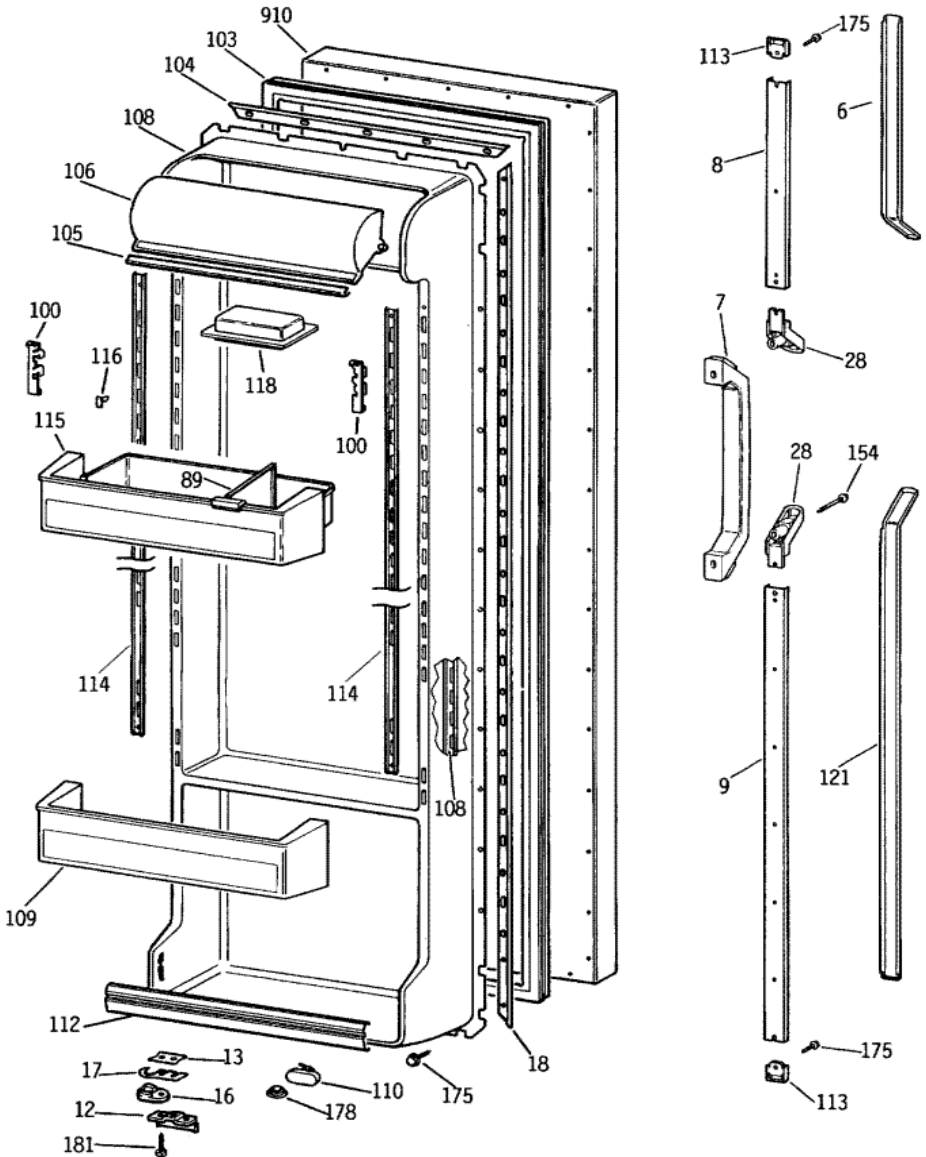
175	WR1X1853	SCR 4-24 T PHR 3/4 S (S/P)
179	WR1X1856	SCR 8-18 HILO PHR 1/2 S (S/P)
180	WR1X1855	SCR 7-19 HILO FLR 1/2 S (S/P)
187	WH2X946	SCR 10-32 M HXW 1/4 S (S/P)
257	WR9X520	CONTROL DEFROST (S/P)
276	WR1X1510	GROMMET SCR (S/P)
303	WD1X1440	HOUSING TERMINAL (S/P)
461	WZ6X136	SCR 8-18 AB HXW 1/2 S (S/P)
494	WD1X1459	INSULATOR HSNNG TERM (S/P)
584	WZ2X509	<b>DESCONTINUADO</b>
621	WR2X4495	CONNECTOR W/LEAD (S/P)
676	WZ4X263	SCREW (S/P)
689	WR1X1598	<b>DESCONTINUADO</b>
690	WR1X1466	SCR 8-32 T HXW 3/8 S (S/P)
691	WX2X560	SCR 8-32 D HXW 3/8 SS (S/P)
692	WZ4X416	SCREW (S/P)
752	WZ4X345	SCREW (S/P)
753	WB1K5052	SCREW (S/P)
782	WB17X5060	TERMINAL BLK ASM (2 PIN) (S/P)
788	WB17X5079	<b>DESCONTINUADO</b>
900	WR78X8525	<b>DESCONTINUADO</b>
900	WR78X8499	<b>DESCONTINUADO</b>
900	WR78X8497	<b>DESCONTINUADO</b>
1458	WB17X5061	TERMINAL BLK ASM (3 PIN) (S/P)
1458	WB17X5062	TERMINAL BLK ASM (12PIN) (S/P)

Distribuidor Autorizado

**SurteRápido.com**

Venta de Refacciones  
Electrodomesticas

## TFH24PRSA A PUERTA REFRIGERADOR





## TFH24PRSA A PUERTA REFRIGERADOR

6	WR12X848	INSERT HANDLE CHANNEL WH
6	WR12X850	INSERT CHANNEL HANDLE AD (S/P)
6	WR12X858	<b>DESCONTINUADO</b>
7	WR12X869	HANDLE ASM WH
7	WR12X870	HANDLE ASM AD (S/P)
7	WR12X871	<b>DESCONTINUADO</b>
8	WR12X1060	CHANNEL HANDLE (S/P)
9	WR12X1061	CHANNEL HANDLE (S/P)
12	WR2X4537	STOP DOOR (S/P)
12	WR2X7213	STOP DOOR
13	WR2X4540	SHIM CAM & DOOR STOP (S/P)
13	WR2X4599	NUTSTRIP (S/P)
16	WR2X4901	HINGE CAM RISER
17	WR2X7491	SHIM RISER CAM (S/P)
18	WR17X1169	RETAINER STRIP (S/P)
28	WR2X8576	CAP END HANDLE (S/P)
89	WR2X7971	SNUGGER MODULE (S/P)
100	WR2X8409	HOOK MODULE R/S (S/P)
100	WR2X8410	HOOK MODULE L/S (S/P)
103	WR24X529	GASKET DOOR FF (S/P)
103	WR24X535	GASKET DOOR FF (S/P)
104	WR17X1168	RETAINER STRIP (S/P)
105	WR38X1768	TRIM BRIGHT UTILITY (S/P)
106	WR22X383	DOOR DAIRY
108	WR1X1718	SCREW (S/P)
108	WR72X170	TRACK DOOR INNER (S/P)
108	WR77X575	DOOR INNER FF (S/P)
109	WR71X2120	<b>DESCONTINUADO</b>
110	WR2X8989	SUPPORT TWIST BUMPER (S/P)
112	WR17X2583	<b>DESCONTINUADO</b>
113	WR2X7871	CAP TRIM HANDLE (S/P)
114	WR72X171	TRACK DOOR SHELF (S/P)
115	WR71X2117	SHELF DOOR MOD ASM (S/P)

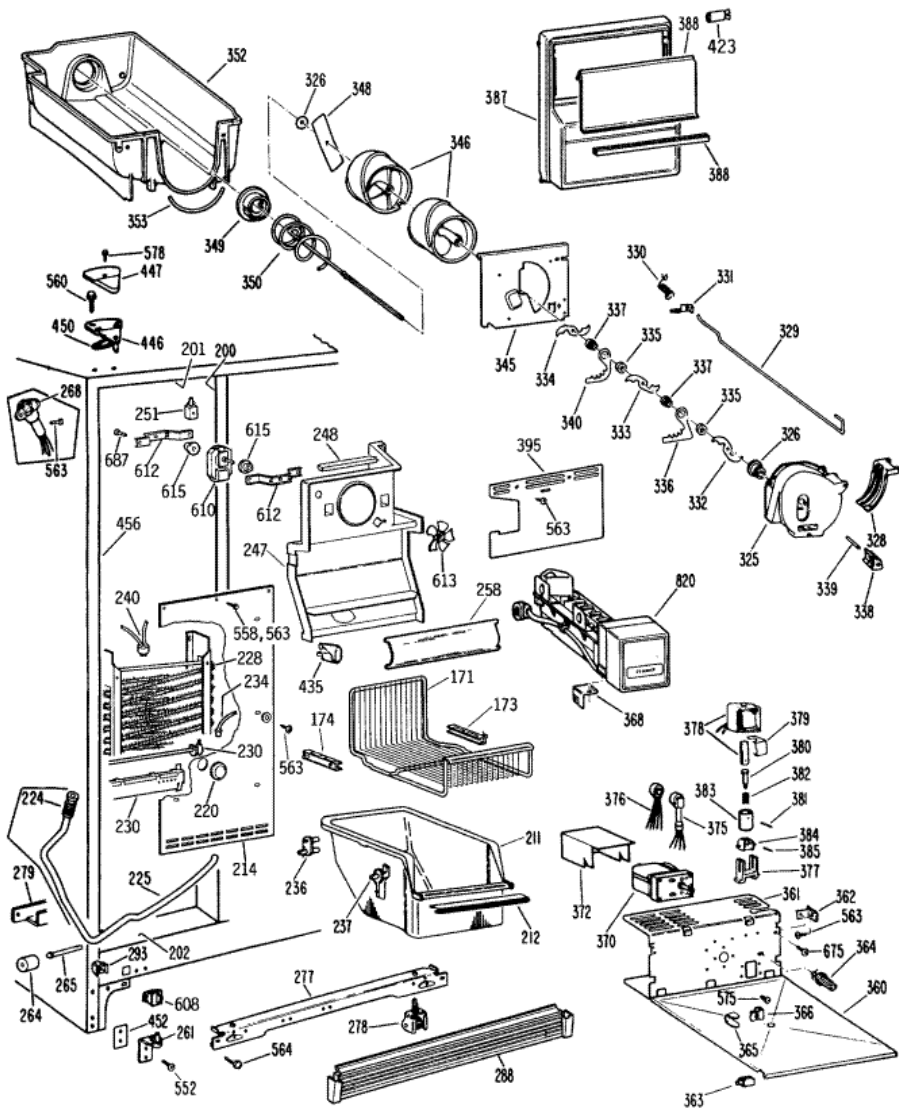
116	WR2X7829	CAP DOOR TRACK (S/P)
118	WR19X29	DISH BUTTER ASM (S/P)
121	WR12X1029	INSERT HANDLE CHANNEL WH
121	WR12X859	INSERT HANDLE CHANNEL BK (S/P)
121	WR12X851	INSERT CHANNEL HANDLE AD (S/P)
154	WR1X1765	SCREW (S/P)
175	WR1X1464	SCREW (S/P)
175	WR1X1853	SCR 4-24 T PHR 3/4 S (S/P)
181	WZ6X105	<b>DESCONTINUADO</b>
910	WR78X8556	<b>DESCONTINUADO</b>
910	WR78X8552	FF O. DOOR (WH) (S/P)
910	WR78X8555	FF O.DOOR AD (S/P)

Distribuidor Autorizado

SurteRápido.com

Venta de Refacciones  
Electrodomesticas

# TFH24PRSA A CONTENEDOR DE HIELO







## TFH24PRSA A CONTENEDOR DE HIELO

171	WR71X10147	BASKET WIRE SLIDEOUT FZ (S/P)
173	WR72X10079	SUPPORT SLIDE BASKET (S/P)
174	WR2X8667	SUPPORT SLIDE BASKET (S/P)
200	WR40X1741	BREAKER STRIP R/S FRZ (S/P)
201	WR40X1683	BREAKER STRIP TOP FRZ (S/P)
202	WR40X1681	BREAKER STRIP BTM FRZ (S/P)
211	WR21X190	BASKET CLEAR (S/P)
212	WR17X3103	TRIM HANDLE BASKET (S/P)
214	WR14X274	GASKET EVAP. COVER (S/P)
214	WR1X1332	RIVET-PLASTIC (S/P)
214	WR17X3147	<b>DESCONTINUADO</b>
220	WR2X7926	PLUG BUTTON (S/P)
224	WR2X8657	<b>DESCONTINUADO</b>
225	WR1X1843	CLAMP HOSE (S/P)
225	WR2X4838	CLAMP (S/P)
225	WR2X8293	TUBE DRAIN (S/P)
228	WR85X10022	LOW SIDE ASM (S/P)
230	WR51X443	HEATER DEF ASM
230	WR2X8647	BRACKET DEF HTR (S/P)
234	WR23X395	HARNESS DEF HTR BTM (S/P)
234	WR23X394	HARNESS DEF HEATER TOP (S/P)
236	WR2X4548	SUPPORT BASKET-REAR (S/P)
237	WR2X7036	SUPPORT BASKET-FRONT (S/P)
240	WR50X122	THERMOSTAT DEF (S/P)
247	WR17X3100	ORIFICE EVAP FAN (S/P)
247	WR2X4845	SUPPORT ORIFICE (S/P)
248	WR2X3899	FOAM STRIP (S/P)
251	WR2X2880	SUPPORT TWIST (S/P)
258	WR17X1424	SHIELD LIGHT (S/P)
261	WR13X10020	HINGE BTM PIN & CAM ASM
264	WR2X3594	WHEEL MOBILITY (S/P)
265	WR2X3595	COTTER PIN (S/P)
268	WR23X312	IM RECEPACLE (S/P)

277	WR17X2113	RAIL MACHINE MTG. FRONT (S/P)
278	WR2X4858	WHEEL ASM FRT (S/P)
279	WR17X10464	RAIL MACH MTG REAR (S/P)
288	WR74X199	GRILLE BASE AD (S/P)
293	WR2X7080	CLIP-O. CASE-END CAP (S/P)
325	WR17X2061	HOUSING CRUSHER DISP (S/P)
326	WR1X1367	RETAINER RING E (S/P)
326	WR1X1585	NUT AUGER (S/P)
326	WR1X1366	WASHER (S/P)
328	WR2X4143	PIN DEFLECTOR DISP (S/P)
328	WR17X2059	DEFLECTOR ICE DISP (S/P)
328	WR2X4561	SPRING ICE DEFLECTOR (S/P)
329	WR17X2060	WIRE ACTUATOR DISP (S/P)
330	WR2X4145	SPRING (S/P)
331	WR2X4251	RETAINER ACTUATOR WIRE (S/P)
332	WR17X1361	BLADES MOVING DISP (S/P)
333	WR17X1362	BLADES MOVING DISP (S/P)
334	WR17X1363	BLADES MOVING DISP (S/P)
335	WR2X4139	SPACER (S/P)
336	WR17X2216	BLADE STATIONARY DISP (S/P)
337	WR2X4138	SPACER CRUSHER STATIONAR (S/P)
338	WR2X4140	BLADE REST DISP (S/P)
339	WR2X4141	PIN SPIRAL (S/P)
340	WR17X2058	BLADE STATIONARY DISP (S/P)
345	WR17X2062	PLATE FRONT DISP (S/P)
346	WR17X2056	HELIX REAR-DISP (S/P)
346	WR49X10183	HELIX FRONT-DISP (S/P)
348	WR2X7783	BLADE IN DISP (S/P)
349	WR2X4550	CUP DRIVE DISPENSER (S/P)
350	WR17X2740	AUGER HELIX DISP (S/P)
352	WR30X256	BUCKET ICE (S/P)
352	WR17X4312	BUCKET & AUGER ASM DISP
353	WR2X7905	BUCKET SEAL DISP (S/P)
360	WR2X4566	<b>DESCONTINUADO</b>
360	WR71X2205	SHELF BUCKET BTM DISP (S/P)
361	WR71X2353	COVER MOTOR & SOLENOID (S/P)
362	WR2X8839	BRACKET SHELF (S/P)
363	WR2X4465	SUPPORT SHELF (S/P)

364	WR2X7310	SUPPORT TWIST (S/P)
365	WR2X4854	DRIVE AUGER DISPENSER (S/P)
366	WR1X1547	NUT J (S/P)
368	WR2X8459	BRACKET IM MTG (S/P)
370	WR60X202	MOTOR CRUCHER DISP (S/P)
370	WR1X1788	SCREW MOTOR MOUNT (S/P)
372	WR2X11295	SHIELD CRUSHER MTR (S/P)
375	WR23X194	HARNESS MOTOR DISP (S/P)
376	WR23X189	<b>DESCONTINUADO</b>
377	WR2X7309	SADDLE SOLENOID (S/P)
378	WR62X58	SOLENOID & ARM ASM
379	WR17X1063	SHROUD SOLENOID (S/P)
380	WR17X1064	PLUNGER SOLENOID (S/P)
381	WR2X4257	PIN SPIRAL (S/P)
382	WR2X4258	SPRING SOLENOID LINKAGE (S/P)
383	WR17X1065	COLLAR SOLENOID DISP (S/P)
384	WR17X1066	STIRRUP SOLENOID DISP (S/P)
385	WR2X4259	PIN SPIRAL (S/P)
387	WR17X10378	COVER BUCKET ASM (S/P)
388	WR38X1524	TRIM ICE DOOR (S/P)
388	WR17X10275	DOOR ICE STORAGE DISP (S/P)
395	WR17X2905	SHIELD FAN (S/P)
423	WR2X6347	SUPPORT LIGHT SHIELD (S/P)
435	WR2X9391	SOCKET & TERMINAL ASM
446	WR13X647	HINGE TOP ASM (S/P)
447	WR2X8262	HINGE COVER WH (S/P)
447	WR2X8523	COVER HINGE BLACK (S/P)
447	WR2X8263	<b>DESCONTINUADO</b>
450	WR2X4194	SHIM HINGE TOP (S/P)
452	WR2X7143	NUTSTRIP HINGE BTM (S/P)
456	WR40X1755	BREAKER STRIP L/S FRZ (S/P)
552	WR1X1587	SCREW (S/P)
560	WR1X1806	SCREW (S/P)
560	WR1X1249	SCREW (S/P)
564	WR1X1194	SCREW (S/P)
578	WZ2X503	SCREW (S/P)
608	WR23X368	SWITCH LIGHT WH (S/P)
608	WR23X398	SWITCH LIGHT BK (S/P)

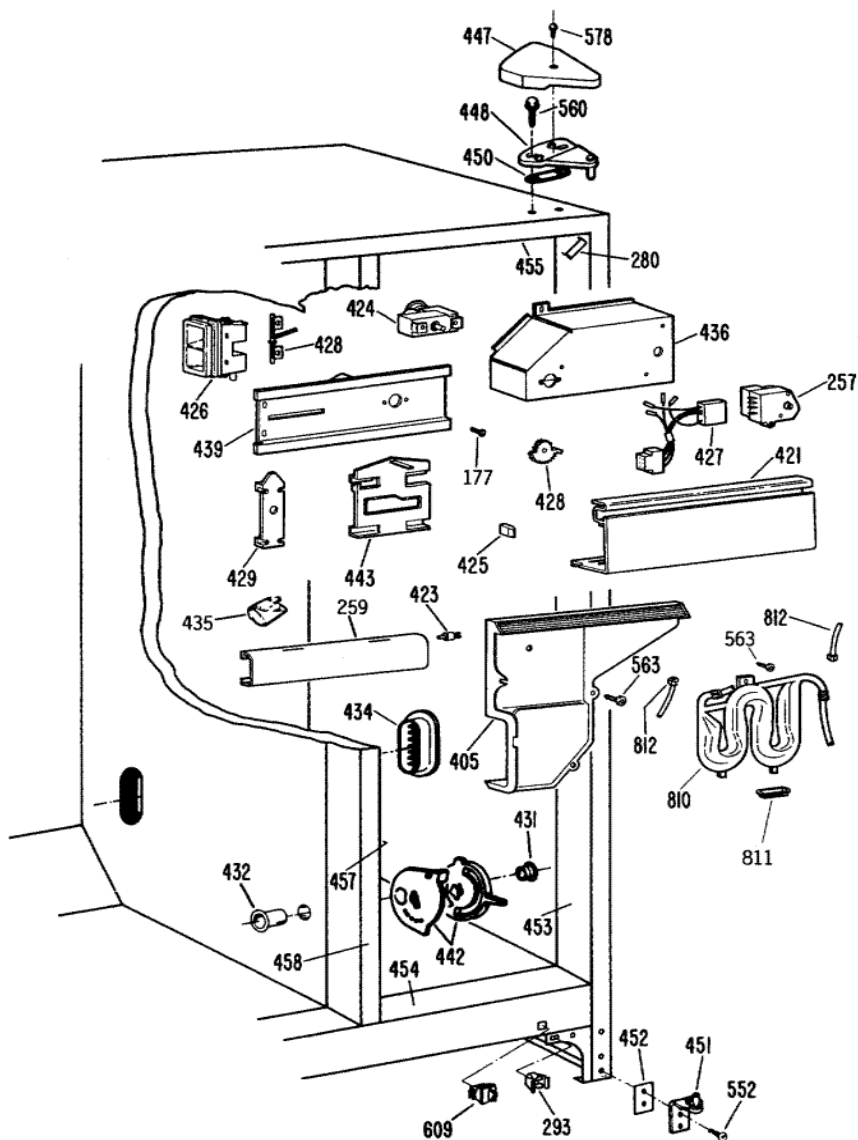
610	WR60X190	MOTOR EVAP FAN <b>(S/P)</b>
612	WR2X8549	BRACKET EVAP FAN <b>(S/P)</b>
613	WR60X114	FAN BLADE EVAP MOTOR
615	WR2X2945	GROMMET <b>(S/P)</b>
820	WR30X10093	IM CRESCENT <b>(S/P)</b>

Distribuidor Autorizado

SurteRápido.com

Venta de Refacciones  
Electrodomesticas

# TFH24PRSAAA DEPOSITO DE AGUA





## TFH24PRSAAA DEPOSITO DE AGUA

177	WR1X5034	SCREW (S/P)
257	WR9X520	CONTROL DEFROST
259	WR17X2555	SHIELD LIGHT (S/P)
280	WR2X8524	CAP CORNER OC (BLK) (S/P)
280	WR2X8518	<b>DESCONTINUADO</b>
280	WR2X8519	CAP CORNER OC (AD) (S/P)
293	WR2X7080	CLIP-O. CASE-END CAP (S/P)
405	WR17X1523	<b>DESCONTINUADO</b>
405	WR14X264	TAPE FOAM (S/P)
421	WR17X2975	SHIELD LIGHT FF (S/P)
423	WR2X6347	SUPPORT LIGHT SHIELD (S/P)
424	WR9X499	CONTROL TEMP
425	WR2X8398	<b>DESCONTINUADO</b>
426	WR2X8019	<b>DESCONTINUADO</b>
426	WR2X8514	<b>DESCONTINUADO</b>
426	WR14X462	GASKET FOAM (S/P)
427	WR23X357	HARNESS CONTROL MOD (S/P)
428	WR2X8513	GEAR CONTROL TEMP (S/P)
428	WR2X8582	<b>DESCONTINUADO</b>
429	WR2X8516	SLIDE DAMPER (S/P)
431	WR2X8722	CAP MULLION DUCT (S/P)
432	WR2X8654	DUCT MULLION (S/P)
434	WR2X4542	DUCT AIR RETURN ASM FF (S/P)
435	WR2X9391	SOCKET & TERMINAL ASM
436	WR2X7736	BRACKET CONTROL MOD (S/P)
439	WR17X2922	CHANNEL CONTROL (S/P)
442	WR2X10042	CONTROL MEAT PAN ASM (S/P)
443	WR2X8570	<b>DESCONTINUADO</b>
447	WR2X8263	<b>DESCONTINUADO</b>
447	WR2X8262	HINGE COVER WH (S/P)
447	WR2X8523	COVER HINGE BLACK (S/P)
448	WR13X646	HINGE TOP ASM (S/P)
450	WR2X4194	SHIM HINGE TOP (S/P)

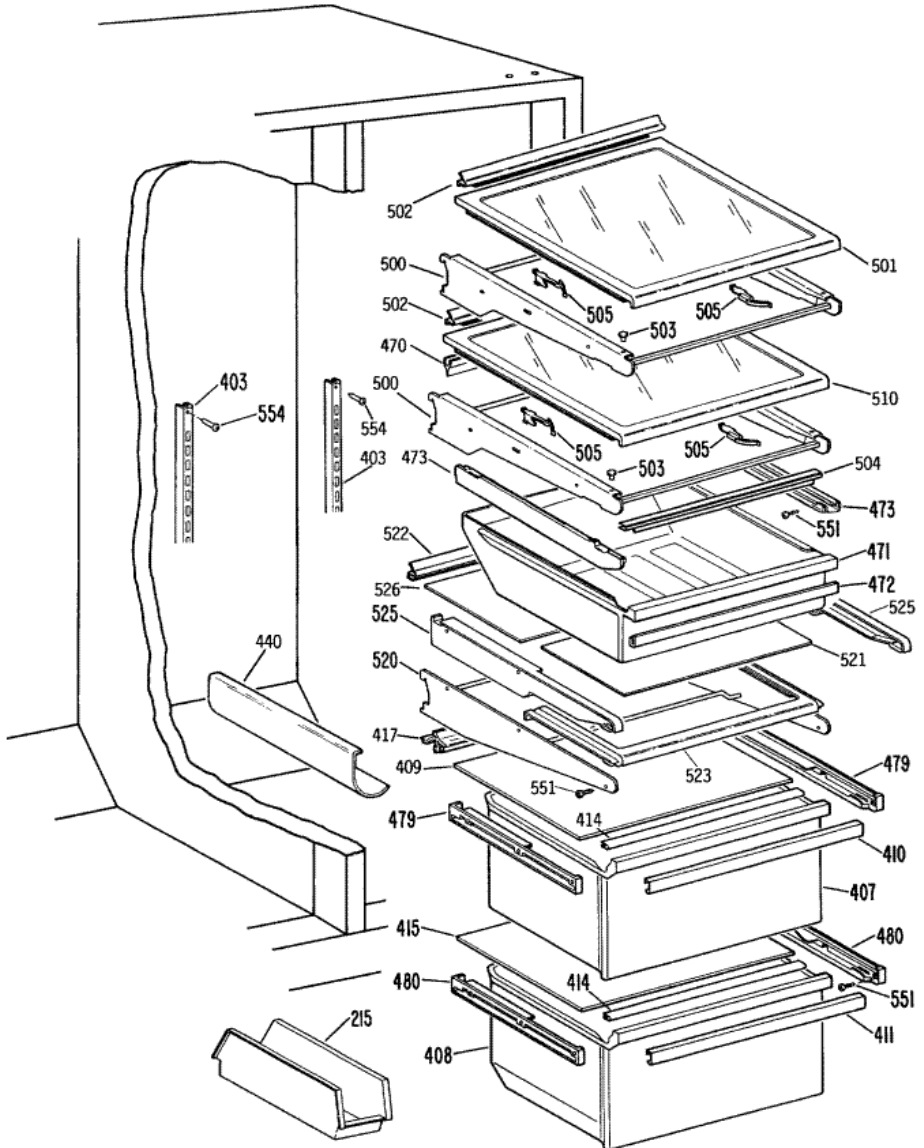
451	WR13X10020	HINGE BTM PIN & CAM ASM
452	WR2X7143	NUTSTRIP HINGE BTM (S/P)
453	WR40X1679	BREAKER STRIP CASE (S/P)
454	WR40X1678	BREAKER STRIP BOTTOM (S/P)
455	WR40X1680	BREAKER STRIP CASE (S/P)
457	WR40X1748	BREAKER STRIP L/S FF (S/P)
458	WR2X4739	<b>DESCONTINUADO</b>
458	WR40X1688	<b>DESCONTINUADO</b>
458	WR40X1676	MULLION AD (S/P)
458	WR40X1677	MULLION WH (S/P)
458	WR2X8721	BRACKET MULLION TOP (S/P)
458	WR2X7033	BRACKET MULLION BTM. (S/P)
552	WR1X1587	SCREW (S/P)
560	WR1X1249	SCREW (S/P)
560	WR1X1806	SCREW (S/P)
578	WZ2X503	SCREW (S/P)
609	WR23X10143	SWITCH LIGHT (S/P)
609	WR23X353	SWITCH LIGHT BK (S/P)
810	WR17X3105	WATER TANK DISP ASM
811	WR2X8659	PLUG RECESSED (S/P)
812	WR17X2891	TUBE PLASTIC (S/P)

Distribuidor Autorizado

SurteRápido.com

Venta de Refacciones  
Electrodomesticas

## TFH24PRSA A CAJONES







**TFH24PRSAAA CAJONES**

215	WR32X1435	BUCKET EGG (S/P)
403	WR71X2124	TRACK CANT SHELF (S/P)
407	WR32X1221	PAN UPPER
408	WR32X1222	PAN LOWER (S/P)
409	WR32X1301	COVER PAN GLASS (S/P)
410	WR17X3097	<b>DESCONTINUADO</b>
411	WR17X3098	HANDLE VEG PAN (S/P)
414	WR14X406	GASKET PAN COVER FRT (S/P)
415	WR32X886	COVER PAN GLASS (S/P)
417	WR2X7359	<b>DESCONTINUADO</b>
440	WR17X3364	WINE RACK PACK ASM (S/P)
470	WR14X420	<b>DESCONTINUADO</b>
471	WR32X1339	PAN SNACK CLEAR (S/P)
471	WR2X8349	GROMMET SCR CLOSED (S/P)
472	WR38X1769	TRIM BRIGHT SNACK PAN (S/P)
473	WR72X210	SLIDE PAN RH (S/P)
473	WR72X211	SLIDE PAN LH (S/P)
479	WR72X206	SLIDE ASM RH
479	WR72X207	SLIDE ASM LH
479	WR72X206	SLIDE ASM RH
479	WR72X207	SLIDE ASM LH
480	WR72X208	SLIDE ASM RH
480	WR72X209	SLIDE ASM LH
500	WR71X2242	<b>DESCONTINUADO</b>
501	WR32X1266	<b>DESCONTINUADO</b>
502	WR38X2233	REFLECTOR SPILLPRF (S/P)
503	WR2X8573	BEARING SPILLPRF (S/P)
504	WR14X413	SEAL PAN FRONT (S/P)
505	WR2X8575	SHELF STOP SPILLPRF LH (S/P)
505	WR2X8574	SHELF STOP SPILLPRF RH (S/P)
510	WR71X2244	<b>DESCONTINUADO</b>
520	WR71X2247	SHELF CANT TUCKAWAY (S/P)
521	WR32X1267	<b>DESCONTINUADO</b>

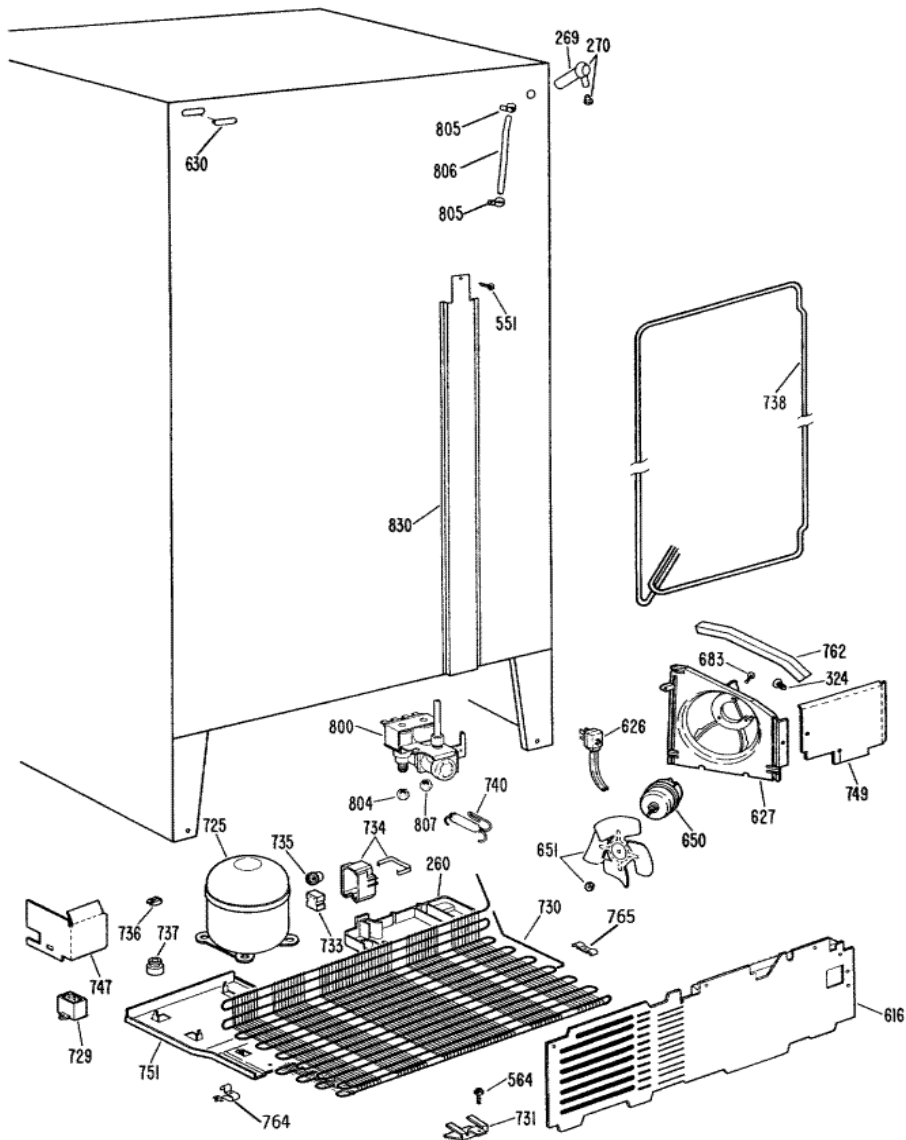
522	WR38X2234	<b>DESCONTINUADO</b>
523	WR71X2248	SHELF FRAME TUCKAWAY <b>(S/P)</b>
525	WR72X220	SLIDE TUCKAWAY RH <b>(S/P)</b>
525	WR72X221	SLIDE TUCKAWAY LH <b>(S/P)</b>
526	WR32X1269	SHELF GLASS TUCKAWAY <b>(S/P)</b>
551	WZ4X244	SCREW <b>(S/P)</b>
554	WR1X1483	SCR 10-24 BP PA 1 1/2 S <b>(S/P)</b>

Distribuidor Autorizado

SurteRápido.com

Venta de Refacciones  
Electrodomesticas

# TFH24PRSA A COMPRESOR





## TFH24PRSAAA COMPRESOR

260	WR32X1427	PAN WATER DISPOSAL (S/P)
269	WR2X7927	TUBE WATER FILL (S/P)
270	WR2X4754	CLAMP HOSE (S/P)
270	WR2X8474	GROMMET (S/P)
324	WR2X7069	PLUG BUTTON (S/P)
551	WZ4X244	SCREW (S/P)
564	WR1X1194	SCREW (S/P)
616	WR82X10069	<b>DESCONTINUADO</b>
626	WR1X5278	CLAMP CABLE (S/P)
626	WR23X10300	POWER CORD ASM (S/P)
627	WR17X3952	HOUSING COND FAN (S/P)
630	WR2X8525	PLUG BUTTON (S/P)
630	WR2X4097	PLUG BUTTON (S/P)
650	WR60X187	MOTOR COND FAN (S/P)
651	WR1X1515	NUT LOCKING (S/P)
651	WR1X1714	WASHER (S/P)
651	WR60X220	<b>DESCONTINUADO</b>
683	WR1X1825	SCREW (S/P)
725	WR87X10082	HIGH SIDE ASM (S/P)
729	WR62X79	CAPACITOR (S/P)
730	WR84X164	CONDENSER ASM (S/P)
731	WR2X4850	CLIP CONDENSER (S/P)
733	WR7X10011	RELAY (S/P)
734	WR2X7226	<b>DESCONTINUADO</b>
734	WR2X7834	COVER RELAY (S/P)
735	WR8X114	OVERLOAD (S/P)
736	WR2X8583	CLIP COMPRESSOR MOUNT (S/P)
737	WR2X7238	GROMMET COMP MTG (S/P)
738	WR2X7064	CLIP COND LOOP (S/P)
738	WR84X170	TUBE COND LOOP ASM (S/P)
740	WR86X93	DRYER (S/P)
747	WR17X3123	<b>DESCONTINUADO</b>
749	WR17X3085	BAFFLE SIDE DISCHARGE (S/P)

751	WR17X3101	PLATE COMP MTG (S/P)
762	WR2X7493	<b>DESCONTINUADO</b>
765	WR2X8649	CLIP COND (S/P)
800	WR57X10051	WATER VALVE ASM.
804	WR57X57	NUT & SLEEVE (S/P)
804	WR2X4046	INSERT (S/P)
805	WR2X12265	CLAMP TUBE (S/P)
806	WR17X11349	WATER LINE (S/P)
807	WR2X8545	NUT & SLEEVE 5/16" (S/P)
830	WR17X3087	COVER WIRING CASE REAR (S/P)
830	WR17X3745	COVER WIRING CASE REAR (S/P)