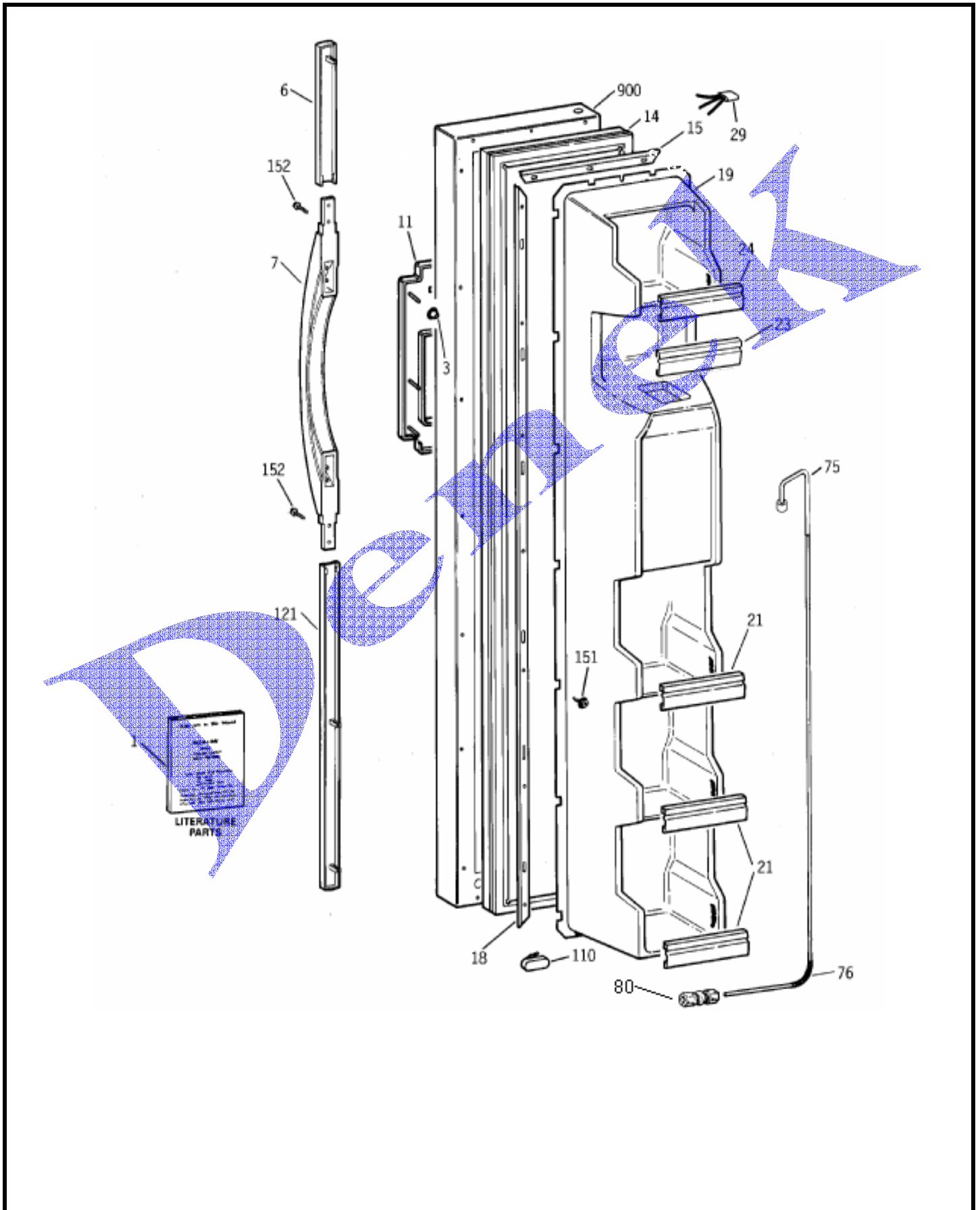


GE REFRIGERADOR TFM20JRB

PUERTA DE CONGELADOR



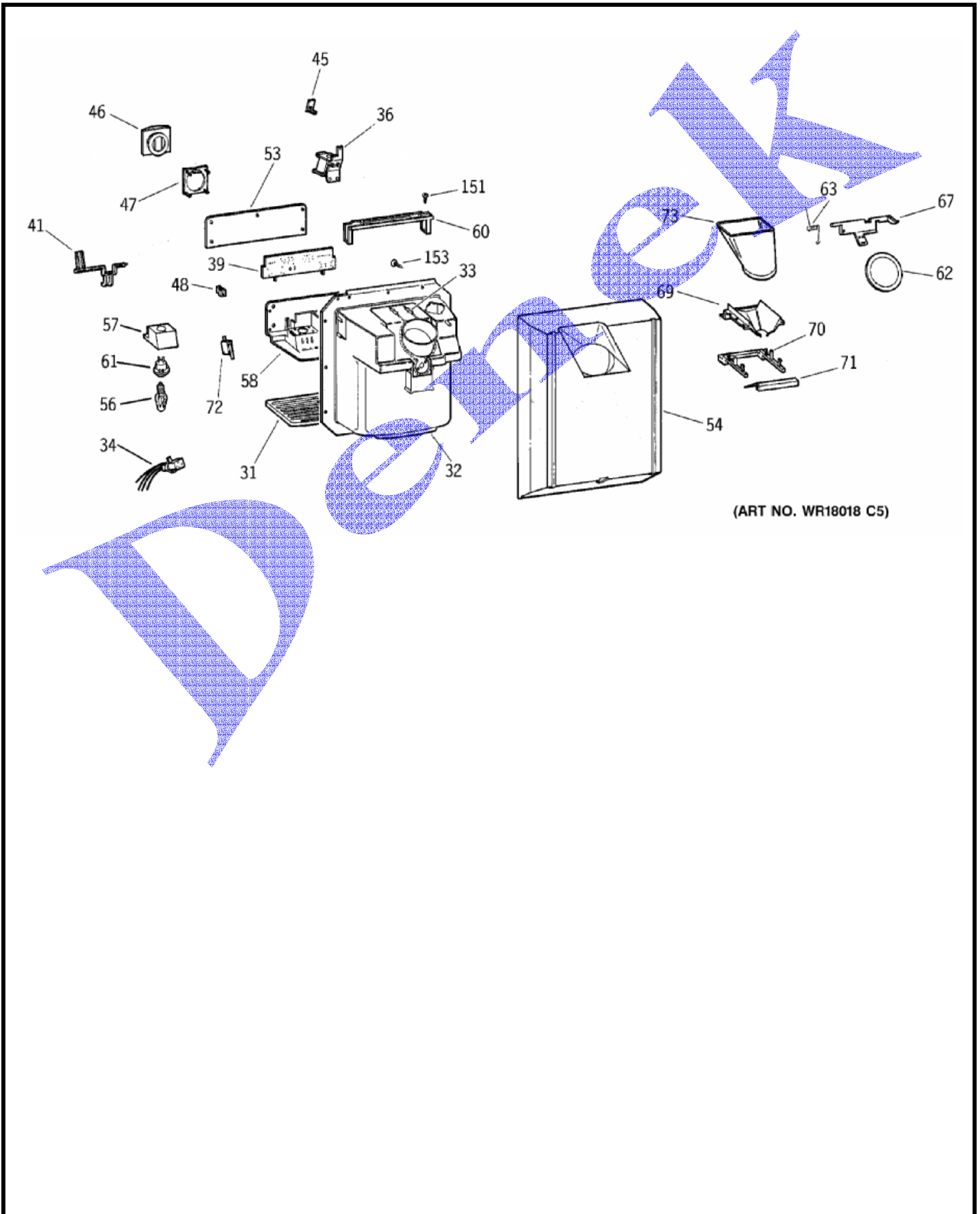
GE REFRIGERADOR TFM20JRB

PUERTA DE CONGELADOR

1	31-51237	MINI MANUAL WIRING
1	49-60047	PM GUIDE OWNERS MEX
3	WR02X8669	FASTENER TUBULAR
6	WR12X10100	TAIL HANDLE SXS AD
6	WR12X10104	TAIL HANDLE SXS WH
7	WR12X10099	HANDLE SXS ASM AD
7	WR12X10103	HANDLE SXS ASM WH
11	WR38X10110	TRIM RECESS DISP AD
11	WR38X10109	TRIM RECESS DISP WH
14	WR24X0527	GASKET DOOR FZ WH
15	WR17X3119	RETAINER STRIP
18	WR17X1169	RETAINER STRIP
19	WR77X0600	DOOR INNER FZ
21	WR17X3946	FRONT DOOR SHELF
23	WR17X3947	FRONT DOOR SHELF
24	WR17X3948	FRONT DOOR SHELF
29	WR23X10096	HARNES DR HINGE FZ
65	WZ04X0230	SCREW
75	WR17X3669	GROMMET TUBE ASM
76	WR02X8933	SLEEVE WATER LINE
80	WR02X8545	NUT & UNION ASM
87	WZ04X0241	SCR 8-18 AB PA 1/2 SS
98	WR01K0001	SCREW 8-36 T IHW 3/8 SN
110	WR02X8989	SUPPORT TWIST BUMPER
121	WR12X10106	TAIL HANDLE SXS WH
121	WR12X10102	TAIL HANDLE SXS AD
134	WR01X10019	SCR 6-10 PL FLP 1/2 S
151	WR01X1554	SCR 8-18 AB IHXW 1/2 S
152	WR01X10038	SCR 8-18 AB FLTR 5/8 S
180	WR01X1966	SCREW 6-32 PL IHW 3/8
231	WR01X1987	RIVET PLASTIC WH
231	WR01X2110	PLUG FASTENER
276	WR01X1510	GROMMET SCR
303	WD01X1440	HOUSING TERMINAL
461	WZ06X0136	SCR 8-18 AB HXW 1/2 S
676	WZ04X0263	SCR 10-16 AB HXW 1/2
690	WR01X1466	SCR 8-32 T HXW 3/8 S
717	WR02X10335	CLIP COND
782	WB17X5060	TERMINAL BLK ASM (2 PIN)
809	WR01X1936	FASTENER WATER TUBE
811	WR02X8659	PLUG RECESSED
900	WR78X10192	DOOR FOAM ASM FZ AD
900	WR78X10191	DOOR FOAM ASM FZ WH
1458	WB17X5062	TERMINAL BLK ASM (12PIN)

GE REFRIGERADOR TFM20JRB

PUERTA DE CONGELADOR



(ART NO. WR18018 C5)

GE REFRIGERADOR TFM20JRB

PUERTA DE CONGELADOR

31	WR17X4151	GRILLE RECESS AD
31	WR17X4153	GRILLE RECESS WH
32	WR17X10203	RECESS DISP AD
32	WR17X10205	RECESS DISP WH
33	WR51X0353	HEATER RECESS
34	WR23X0456	HARNES LIGHT SW.
36	WR62X0078	SOLENOID ASM
39	WR55X0129	MODULE TIME DELAY
41	WR17X3493	CRADLE ACTUATOR
45	WR02X8818	RETAINER RECESS DOOR
46	WR02X8726	PAD ACTUATOR AD
46	WR02X8704	PAD ACTUATOR WH
47	WR02X8681	SUPPORT ACTUATOR PAD BK
48	WR02X9154	KNOB RECESS DISP AD
48	WR02X8696	KNOB RECESS DISP WH
53	WR17X10229	NAMEPLATE RECESS AD
53	WR17X10231	NAMEPLATE RECESS WH
54	WR17X3927	INSULATION RECESS
56	STD372071	LAMP 7C7
57	WR02X8725	REFLECTOR LAMP SOCKET
58	WR17X3206	SHIELD RECESS DISP AD
58	WR17X3178	SHIELD RECESS DISP WH
60	WR02X8674	COVER ELECT
61	WR02X9561	LAMP SOCKET
62	WR17X3093	DOOR RECESS ASM
63	WR02X8663	SPRING RECESS DOOR
67	WR17X3089	CRANK DOOR RECESS
69	WR17X3095	FUNNEL RECESS SHIELD BK
70	WR02X8956	SUPT. FUNNEL & GUARD AD
70	WR02X8954	SUPT. FUNNEL GUARD WH
71	WR17X10282	DEFLECTOR ICE BK
72	WR23X0366	SWITCH CRADLE ACTUATOR
73	WR17X3125	CHUTE ICE
151	WR01X1554	SCR 8-18 AB IHXW 1/2 S
153	WR01X1505	SCREW

GE REFRIGERADOR TFM20JRB

PUERTA DE CONGELADOR

6	WR12X10100	TAIL HANDLE SXS AD
6	WR12X10104	TAIL HANDLE SXS WH
7	WR12X10099	HANDLE SXS ASM AD
7	WR12X10103	HANDLE SXS ASM WH
12	WR02X9302	STOP DOOR AD
12	WR02X9300	STOP DOOR WH
13	WR02X7490	SHIM CAM & DOOR STOP
16	WR02X10140	HINGE CAM RISER
17	WR02X7491	SHIM RISER CAM
17	WR02X9147	SHIM RISER CAM
18	WR17X1169	RETAINER STRIP
103	WR24X0528	GASKET DOOR FF WH
104	WR17X3120	RETAINER STRIP
105	WR38X2171	TRIM DAIRY DOOR
106	WR22X0438	DAIRY DOOR
108	WR77X0598	DOOR INNER FF
109	WR71X2620	MODULE ASM
110	WR02X8989	SUPPORT TWIST BUMPER
112	WR17X10465	FRONT DOOR SHELF
118	WR19X5003	DISH BUTTER
121	WR12X10106	TAIL HANDLE SXS WH
121	WR12X10102	TAIL HANDLE SXS AD
128	WR02X7971	SNUGGER MODULE
151	WR01X1554	SCR 8-18 AB IHXW 1/2 S
152	WR01X10038	SCR 8-18 AB FLTR 5/8 S
181	WZ06X0105	SCREW
910	WR78X10189	DOOR FOAM ASM FF AD
910	WR78X10187	DOOR FOAM ASM FF WH

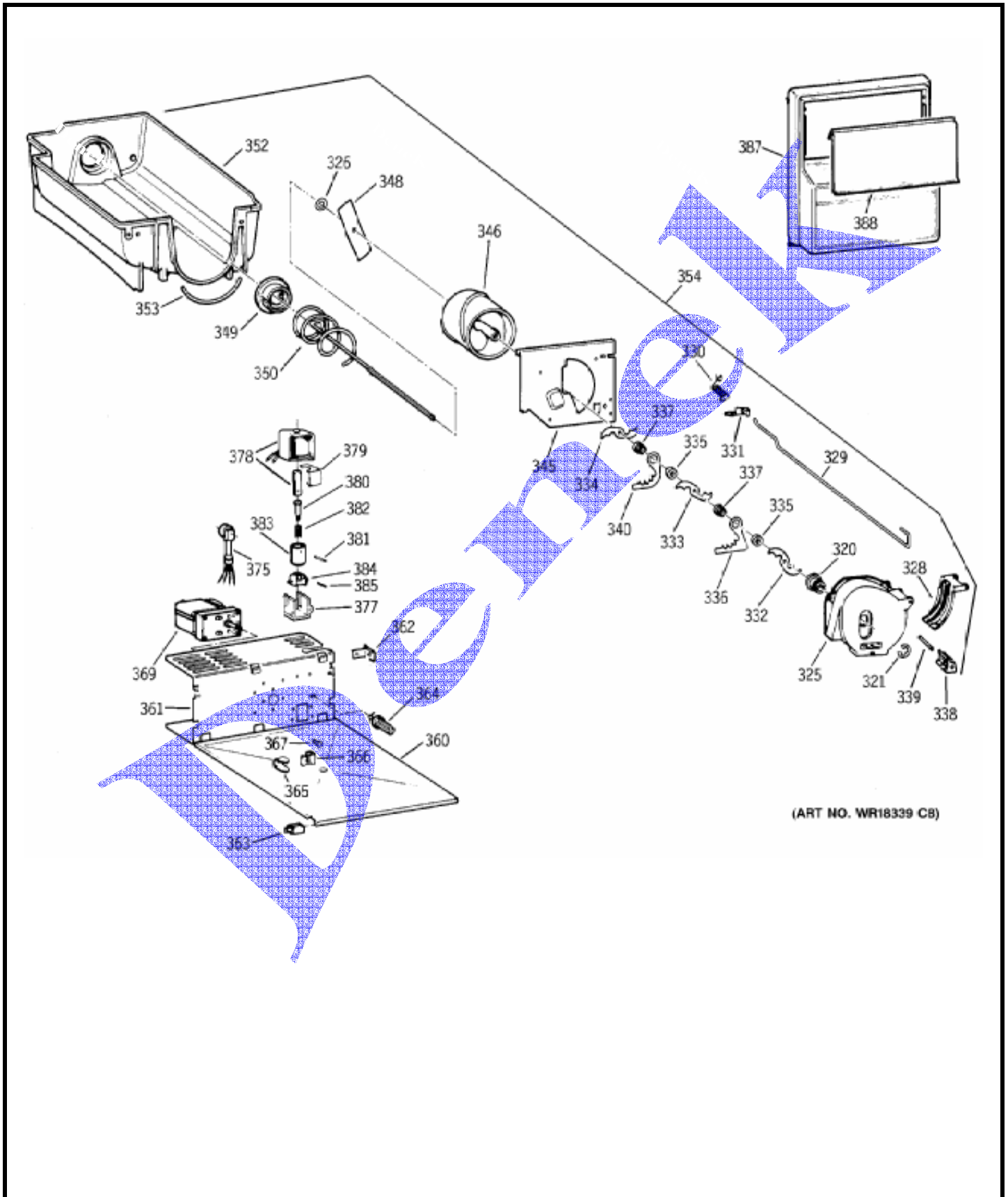
GE REFRIGERADOR TFM20JRB

PUERTA DE CONGELADOR

175	WR01X10035	SCR 8-18 AB IHW 5/8 S
200	WR40X1741	BREAKER STRIP R/S FZ
201	WR40X1742	BREAKER STRIP TOP FZ
202	WR40X1743	BREAKER STRIP BTM FZ
214	WR01X10064	CLIP EVAP COVER
214	WR17X3919	COVER EVAP
214	WR14X0455	GASKET COVER EVAP
224	WR02X8657	GROMMET DRAIN TUBE
225	WR01X5042	CLAMP HOSE
225	WR02X10395	TUBE DRAIN
228	WR85X0282	LOW SIDE ASM
230	WR51X0442	HEATER HARNESS DEF ASM
230	WR02X8671	BRACKET DEF HTR
240	WR50X0122	THERMOSTAT DEF
247	WR17X10226	ORIFICE EVAP FAN
248	WR14X0493	FOAM STRIP
251	WR02X2880	SUPPORT TWIST
258	WR17X3484	SHIELD LIGHT FZ
264	WR02X3594	WHEEL MOBILITY
265	WR02X3595	AXLE WHEEL
265	WR02X4742	AXLE WHEEL
277	WR17X3117	RAIL MACH MTG FRT
278	WR02X4858	WHEEL ASM FRT
279	WR17X10448	RAIL MACH MTG REAR
280	WR02X8519	CAP CORNER OC (AD)
280	WR02X8518	CAP CORNER OC (WH)
288	WR74X0258	GRILLE BASE AD
288	WR74X0225	GRILLE BASE WH
293	WR02X7080	CLIP-O. CASE-END CAP
395	WR17X10220	SHIELD FAN
435	STD372402	LAMP 40W 120V
435	WR02X9391	SOCKET & TERMINAL ASM
446	WR13X0647	HINGE TOP ASM
447	WR02X8263	HINGE COVER AD
447	WR02X8262	HINGE COVER WH
450	WR02X4194	SHIM HINGE TOP
451	WR13X10020	HINGE BTM PIN & CAM ASM
452	WR02X4497	SHIM HINGE
456	WR40X1747	BREAKER STRIP L/S FZ
552	WR01X10034	SCR 12-24 TT IH .811 S
560	WR01X2140	SCREW
564	WR01X1194	SCREW
578	WZ02X0464	SCREW 8-32 X 3/8
608	WR23X0368	SWITCH LIGHT WH
610	WR60X10007	MOTOR EVAP FAN
611	WR02X10100	BRACKET EVAP FAN
612	WR02X10101	BRACKET EVAP FAN
613	WR60X10011	BLADE EVAP FAN ASM
613	WR02X3198	COMP. RING, EVAP. FAN
615	WR02X10098	GROMMET MOTOR
617	WR02X8349	GROMMET SCR CLOSED

GE REFRIGERADOR TFM20JRB

PUERTA DE CONGELADOR



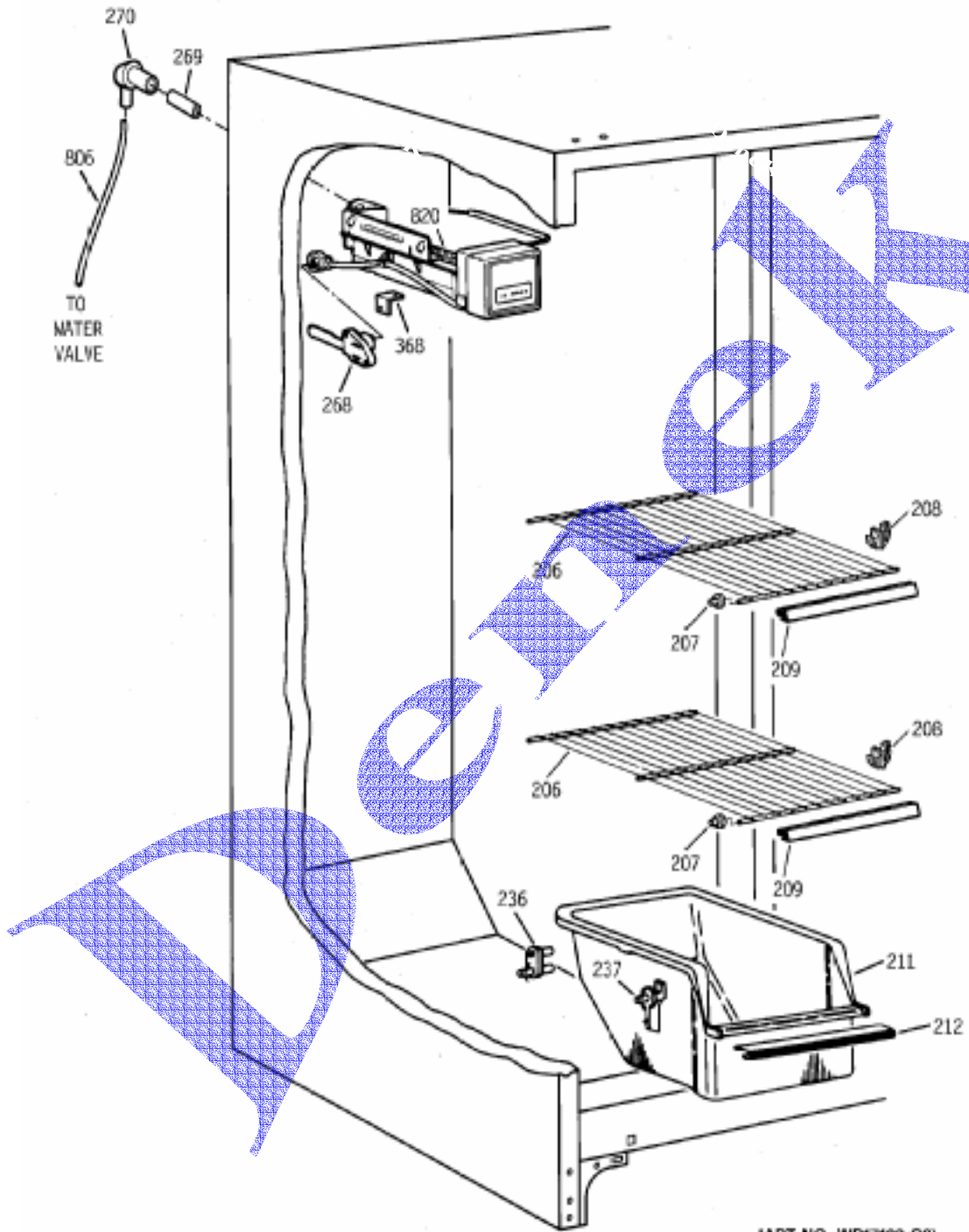
GE REFRIGERADOR TFM20JRB

PUERTA DE CONGELADOR

320	WR01X1585	NUT AUGER
321	WR01X1367	RETAINER RING E
325	WR17X2061	HOUSING CRUSHER DISP
326	WR01X1366	WASHER
328	WR02X4561	SPRING ICE DEFLECTOR
328	WR17X2059	DEFLECTOR ICE DISP
328	WR02X4143	PIN DEFLECTOR DISP
329	WR17X2060	WIRE ACTUATOR DISP
330	WR02X4145	SPRING
331	WR02X4251	RETAINER ACTUATOR WIRE
332	WR17X1361	BLADES MOVING DISP
333	WR17X1362	BLADES MOVING DISP
334	WR17X1363	BLADES MOVING DISP
335	WR02X4139	SPACER CRUSHER MIDDLE
336	WR17X1009	BLADE STATIONARY DISP SPACER CRUSHER STATIONAR
337	WR02X4138	STATIONAR
338	WR02X4140	BLADE REST DISP
339	WR02X4141	PIN SPIRAL
340	WR17X2058	BLADE STATIONARY DISP
345	WR17X2760	PLATE FRONT DISP
346	WR17X4207	HELIX FRONT DISP
348	WR02X7351	BLADE IN DISP
349	WR02X4550	CUP DRIVE DISPENSER
350	WR17X4309	AUGER HELIX DISP (1 PC)
352	WR30X0257	BUCKET ICE DISP
353	WR02X7905	BUCKET SEAL DISP
354	WR17X4310	BUCKET & AUGER ASM DISP
360	WR02X8730	PROTECTOR SHELF
360	WR71X2444	SHELF BUCKET BTM DISP
361	WR17X10308	COVER MOTOR & SOLENOID
362	WR02X8839	BRACKET SHELF
363	WR02X8952	SUPPORT TWIST
364	WR02X7310	SUPPORT TWIST
365	WR02X4854	DRIVE AUGER DISPENSER
366	WR01X1547	NUT J
367	WR01X1788	SCR MTR MNT 8-18 TPT 1/4
369	WR60X0202	MOTOR CRUSHER DISP
375	WR23X10059	HARNESS MOTOR DISP
377	WR02X7309	SADDLE SOLENOID
378	WR62X0058	SOLENOID ARM ASM
379	WR17X1063	SHROUD SOLENOID
380	WR17X1064	PLUNGER SOLENOID
381	WR02X4257	PIN SPIRAL
382	WR02X4258	SPRING SOLENOID LINKAGE
383	WR17X1065	COLLAR SOLENOID DISP
384	WR17X1066	STIRRUP
385	WR02X4259	PIN SPIRAL
387	WR17X10375	COVER BUCKET ASM
388	WR17X10273	DOOR ICE STORAGE DISP

GE REFRIGERADOR TFM20JRB

PUERTA DE CONGELADOR



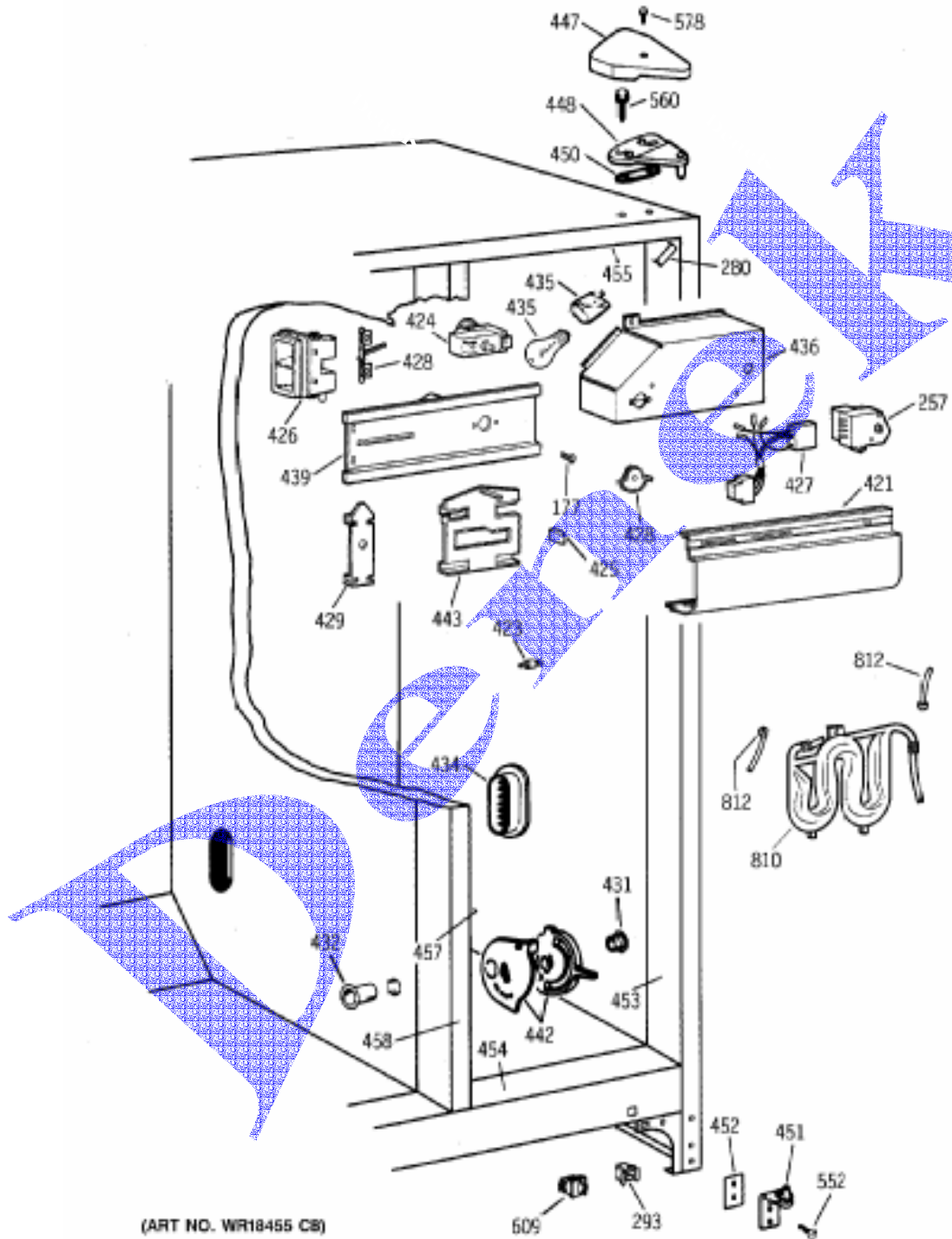
GE REFRIGERADOR TFM20JRB

PUERTA DE CONGELADOR

206	WR71X1888	SHELF FZ
207	WR02X4676	GROMMET SHELF
208	WR02X4674	SUPPORT SHELF
209	WR38X2151	TRIM SHELF WIRE
211	WR21X0183	FRZ BASKET
212	WR38X2149	TRIM HANDLE BASKET FZ
236	WR02X4548	SUPPORT BASKET-REAR
237	WR02X7036	SUPPORT BASKET-FRONT
268	WR23X0312	IM RECEPACLE
269	WR02X7927	TUBE WATER FILL
270	WR02X9153	GROMMET WATER FILL
270	WR01X5223	CLAMP HOSE
368	WR02X8459	BRACKET IM MTG
806	WR17X2049	WATER LINE
820	WR30X0327	IM CRESCENT

GE REFRIGERADOR TFM20JRB

PUERTA DE CONGELADOR



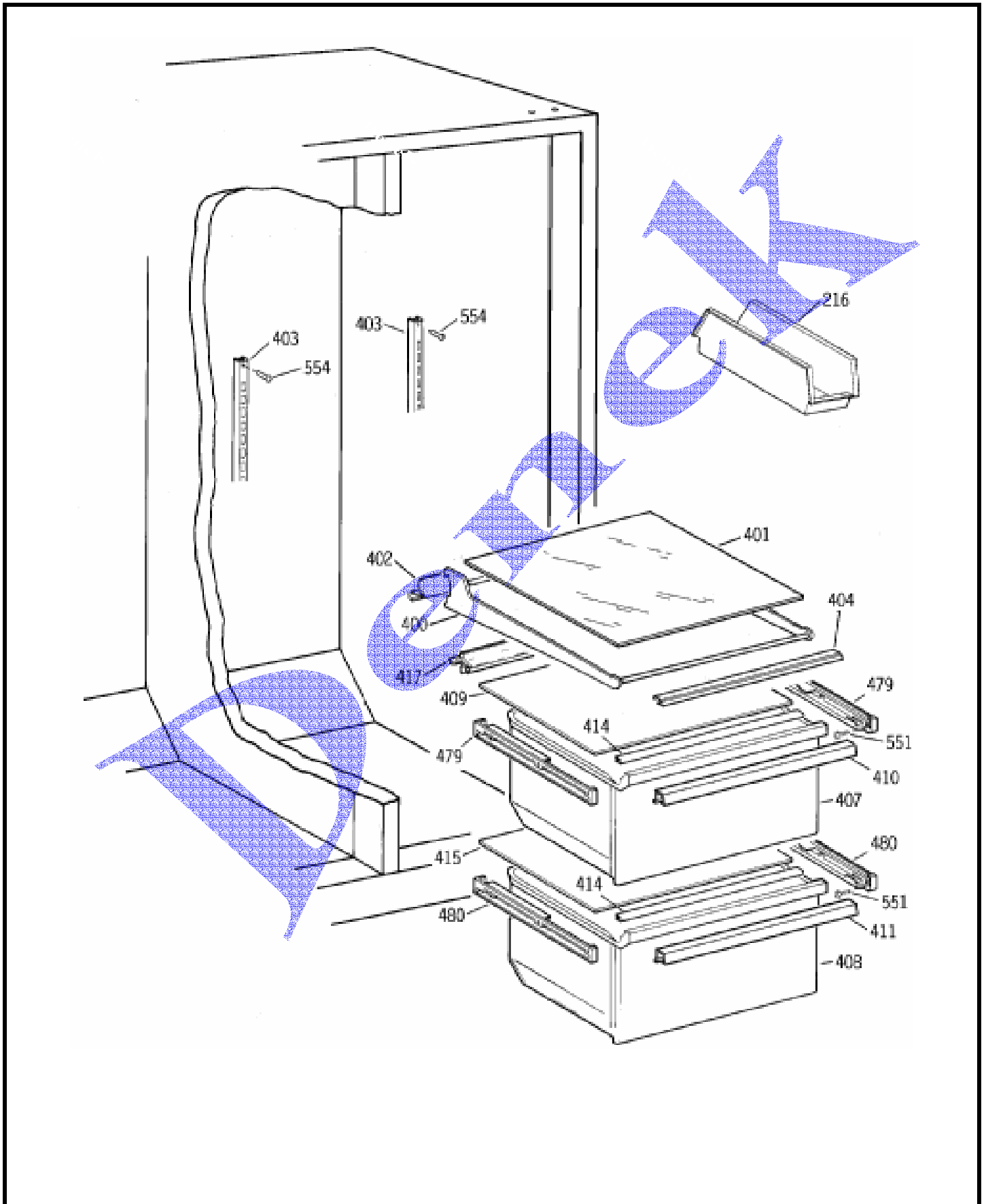
GE REFRIGERADOR TFM20JRB

PUERTA DE CONGELADOR

177	WR01X5034	SCREW 8-18 A HX 1/2 S
257	WR09X0489	CONTROL DEFROST
280	WR02X8519	CAP CORNER OC (AD)
280	WR02X8518	CAP CORNER OC (WH)
293	WR02X7080	CLIP-O CASE-END CAP
421	WR17X10225	SHIELD LIGHT FF
423	WR02X10050	GROMMET SUPPT LT SHIELD
424	WR09X0499	CONTROL TEMP
425	WR02X8398	KNOB CONTROL
426	WR02X8514	HOUSING NOZZLE
426	WR02X8425	INSUL FOAM NOZZLE
427	WR23X0316	HARNESS CONT MODULE
428	WR02X8513	GEAR CONTROL TEMP
428	WR02X8582	CONTROL DAMPER
429	WR02X8516	SLIDE DAMPER
431	WR02X9299	CAP MULLION DUCT
432	WR02X8654	DUCT MULLION
434	WR02X9431	DUCT AIR RETURN ASM FF
435	STD372402	LAMP 40W 120V
435	WR02X9391	SOCKET & TERMINAL ASM
436	WR02X7736	BRACKET CONTROL MOD
439	WR17X2922	CHANNEL CONTROL
442	WR17X10060	CONTROL MEAT PAN ASM
443	WR02X8570	RACK CONTROL TEMP
447	WR02X8263	HINGE COVER AD
447	WR02X8262	HINGE COVER WH
448	WR13X0646	HINGE TOP ASM
450	WR02X4194	SHIM HINGE TOP
451	WR13X10020	HINGE BTM PIN & CAM ASM
452	WR02X4497	SHIM HINGE
453	WR40X1757	BREAKER STRIP R/S FF
454	WR40X1758	BREAKER STRIP BTM FF
455	WR40X1759	BREAKER STRIP TOP FF
457	WR40X1748	BREAKER STRIP L/S FF
458	WR02X9376	BRACKET MULLION TOP
458	WR02X10334	CLIP MULLION BTM
458	WR40X1751	MULLION AD
458	WR40X1749	MULLION WH
552	WR01X10034	SCR 12-24 TT IH .811 S
560	WR01X2140	SCREW
578	WR02X0464	SCREW 8-32 X 3/8
609	WR23X0193	SWITCH LIGHT WH
810	WR17X10428	WATER TANK DISP ASM
812	WR17X2891	TUBE PLASTIC

GE REFRIGERADOR TFM20JRB

PUERTA DE CONGELADOR



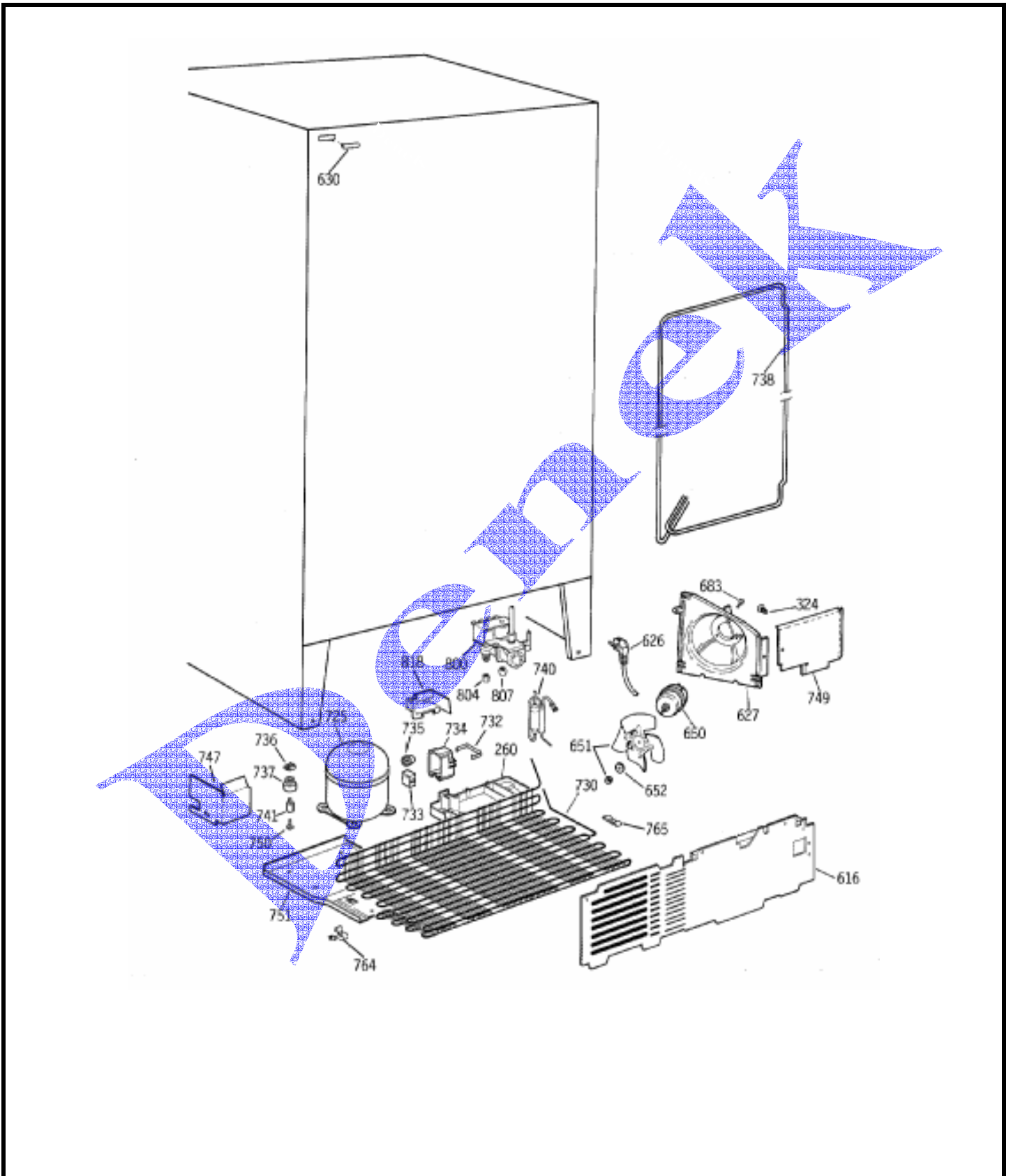
GE REFRIGERADOR TFM20JRB

PUERTA DE CONGELADOR

216	WR32X1575	BUCKET UTILITY CLR
400	WR71X2290	SHELF CANT
401	WR32X1515	SHELF CANT GLASS
402	WR38X2170	REFLECTOR GLASS SHELF
403	WR72X0255	TRACK CANT SHELF
404	WR38X2172	TRIM SHELF GLASS
407	WR32X1178	PAN UPPER
408	WR32X1177	PAN LOWER
409	WR32X1514	COVER PAN GLASS
410	WR17X3992	HANDLE VEG PAN
411	WR17X3993	HANDLE VEG PAN
414	WR14X0444	GASKET PAN COVER FRT
415	WR32X1105	COVER PAN GLASS
417	WR14X10031	GASKET SHIELD LOWER
479	WR72X10010	SLIDE PAN UPPER LH
479	WR72X10009	SLIDE PAN UPPER RH
480	WR72X10008	SLIDE PAN LOWER LH
480	WR72X10007	SLIDE PAN LOWER RH
551	WZ04X0244	SCR 8-18 AB RNDW 5/8 SS
554	WR01X2141	SCR 10-24 TR HXW I S

GE REFRIGERADOR TFM20JRB

PUERTA DE CONGELADOR



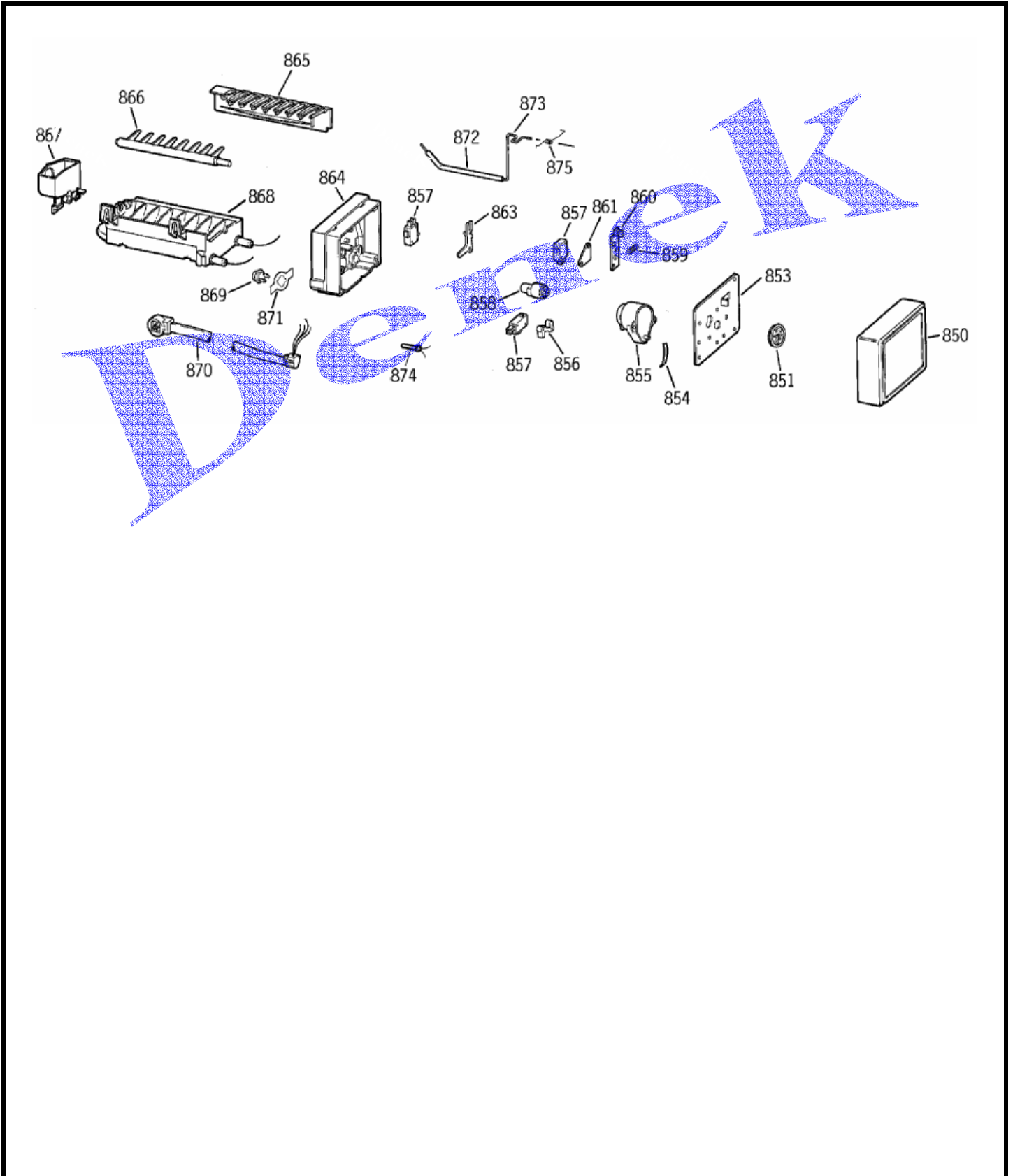
GE REFRIGERADOR TFM20JRB

PUERTA DE CONGELADOR

260	WR32X1427	PAN WATER DISPOSAL
324	WR02X7069	PLUG BUTTON LG WH
616	WR82X10043	COVER ACCESS ASM
626	WR23X0108	POWER CORD
626	WR01X5278	CLAMP CABLE
627	WR17X3811	HOUSING COND FAN
630	WR02X4097	PLUG BUTTON WH
650	WR60X10010	MOTOR COND FAN
651	WR01X1515	NUT LOCKING
651	WR60X10002	BLADE COND FAN ASM
652	WR01X1714	WASHER
683	WR01X1825	SCREW
725	WR87X10009	COMP REPL KIT
730	WR84X0188	CONDENSER ASM
732	WR02X7226	CLAMP-COVER
733	WR07X0277	PTCR
734	WR02X7834	COVER RELAY
735	WR08X10005	OVERLOAD CLIP COMPRESSOR
736	WR02X8203	MOUNT
737	WR02X10099	GROMMET
738	WR84X0169	TUBE COND LOOP ASM
738	WR02X7064	CLIP COND LOOP
740	WR86X0096	DRYER & FILTER ASS'Y
741	WR01X1779	STUD MTG COMPR
747	WR17X10427	BAFFLE SIDE ASM
749	WR17X3988	BAFFLE SIDE DISCH ASM
750	WR01X1786	SCR 10-32 TR 1/2
751	WR17X10337	PLATE COMP MTG ASM
764	WR02X9000	CLIP, COND MNT
765	WR01X1985	CLIP COND
800	WR57X10018	WATER VALVE ASM
818	WR02X10181	GUARD SPLASH

GE REFRIGERADOR TFM20JRB

PUERTA DE CONGELADOR



GE REFRIGERADOR TFM20JRB

PUERTA DE CONGELADOR

850	WR29X0182	COVER WH
851	WR29X5110	GEAR
853	WR29X5111	PLATE MOUNTING
854	WR29X10002	SPRING BEAM
855	WR29X10001	MOTOR
856	WR29X5118	SPACER HOLDING SWITCH
857	WR29X5171	SWITCH IM
858	WR29X5119	CAM
859	WR29X5115	SPRING
860	WR29X5114	PLATE VALVE SWITCH
861	WR29X5117	INSULATOR
863	WR29X5121	ARM LEVER
864	WR29X0183	HOUSING
865	WR29X0160	STRIPPER
866	WR29X5126	EJECTOR
867	WR29X0153	BRNG INLET(FILL CUP)
868	WR29X0204	MOLD/HEATER ASM
869	WR29X0157	THERMOSTAT
870	WR29X0186	WIRE HARNESS
871	WR29X0158	CLAMP THERMOSTAT
872	WR29X5128	SLEEVE VINYL
873	WR29X5129	ARM SHUT OFF
874	WR29X0185	THERMAL CUT-OFF
875	WR29X5130	SPRING SHUT OFF ARM
875	WH02X0930	SCREW 8-18 AB HXW 3/8