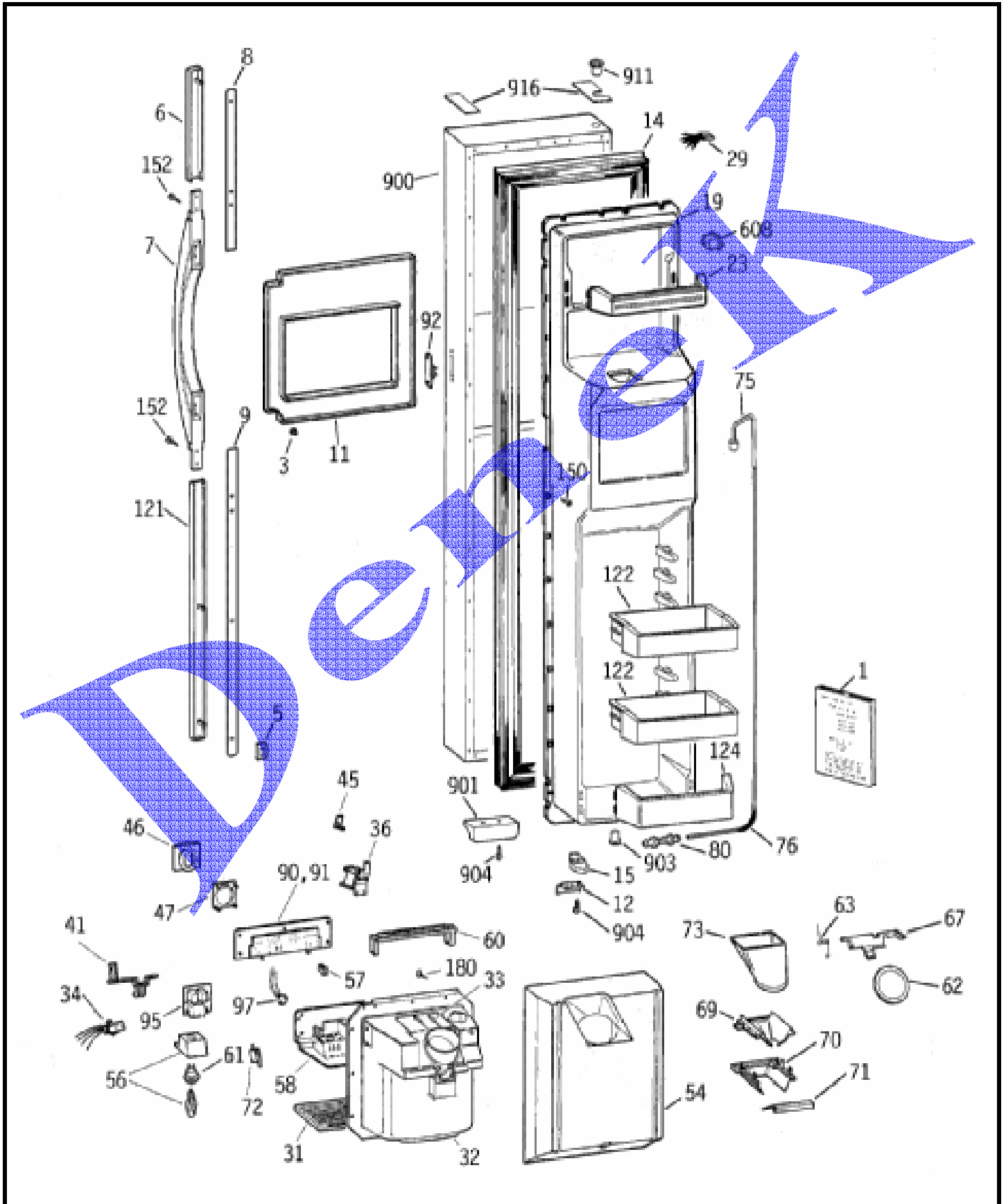


GENERAL ELECTRIC REF TFM28PFDAWW

FREEZER DOOR



GENERAL ELECTRIC REF TFM28PFDAWW

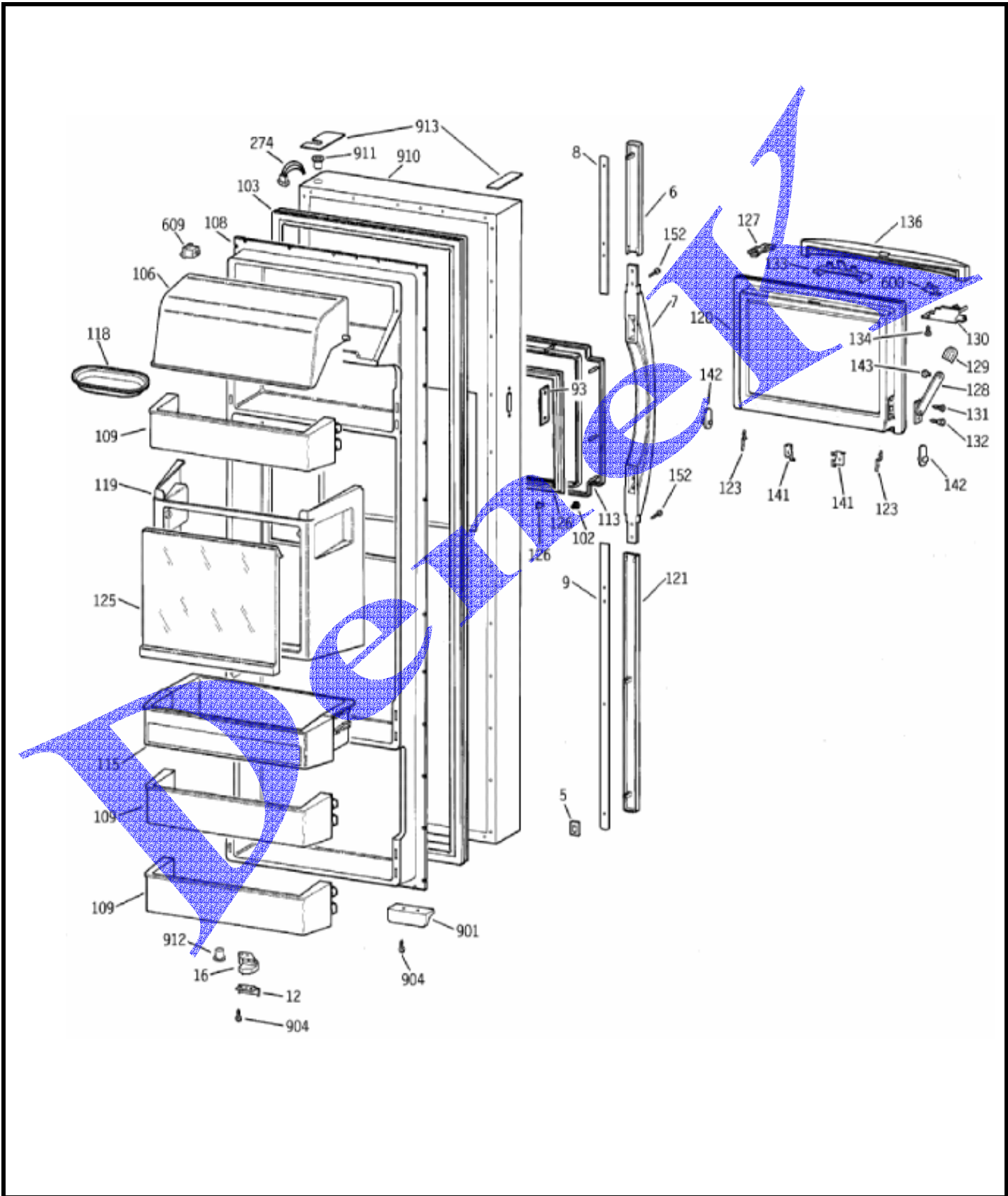
FREEZER DOOR

1	49-60072	PM GUIDE OWNERS MEX
1	31-45856	PM MINI MANUAL WIRING
3	WR02X8669	FASTENER TUBULAR
5	WR02X10432	DART CLIP
6	WR12X10149	TAIL HANDLE SXS AD
6	WR12X10151	TAIL HANDLE SXS BK
6	WR12X10152	TAIL HANDLE SXS WH
7	WR12X10116	HANDLE SXS ASM AD
7	WR12X10132	HANDLE SXS ASM BK
7	WR12X10121	HANDLE SXS ASM WH
8	WR12X10150	TRIM HANDLE SXS
9	WR12X10190	TRIM HANDLE SXS
11	WR38X10122	TRIM RECESS DISP AD
11	WR38X10123	TRIM RECESS DISP BK
11	WR38X10086	TRIM RECESS DISP WH
12	WR02X9244	STOP DOOR
14	WR24X0561	GASKET DOOR FZ BK
14	WR24X0559	GASKET DOOR FZ WH
15	WR02X9250	CAM CLOSURE AD FZ
15	WR02X9247	CAM CLOSURE BK FZ
15	WR02X9235	CAM CLOSURE WH FZ
19	WR77X10001	DOOR INNER FZ
23	WR71X2619	MODULE ASM FZ
29	WR23X10116	HARNES DR HINGE FZ
31	WR17X4151	GRILLE RECESS AD
31	WR17X4152	GRILLE RECESS BK
31	WR17X4153	GRILLE RECESS WH
32	WR17X10191	RECESS DISP AD
32	WR17X10514	RECESS DISP BK
32	WR17X10190	RECESS DISP WH
33	WR51X0420	HEATER RECESS
34	WR23X10081	HARNES RECESS DISP
36	WR62X0078	SOLENOID ASM
41	WR17X3493	CRADLE ACTUATOR
45	WR02X8818	RETAINER RECESS DOOR
46	WR02X8726	PAD ACTUATOR AD
46	WR02X8702	PAD ACTUATOR BK
46	WR02X8704	PAD ACTUATOR WH
47	WR02X8681	SUPPORT ACTUATOR PAD BK
54	WR17X4208	INSULATION RECESS
56	STD372071	LAMP 7C7
56	WR02X8660	REFLECTOR LAMP SOCKET
57	WR23X0373	SWITCH LIGHT RECESS AD
57	WR23X0370	SWITCH LIGHT RECESS BK
57	WR23X0367	SWITCH LIGHT RECESS WH
58	WR17X3190	SHIELD RECESS ELEC BK
58	WR17X3217	SHIELD RECESS ELECT AD

58	WR17X3109	SHIELD RECESS ELECT. WH
60	WR02X8652	COVER ELECTRONICS
61	WR02X9561	LAMP SOCKET
62	WR17X3093	DOOR RECESS ASM
63	WR02X8663	SPRING RECESS DOOR
67	WR17X3089	CRANK DOOR RECESS
69	WR17X3095	FUNNEL RECESS SHIELD BK
70	WR02X8956	SUPT. FUNNEL & GUARD AD
70	WR02X8943	SUPT. FUNNEL & GUARD BK
70	WR02X8954	SUPT. FUNNEL GUARD WH
71	WR17X10282	DEFLECTOR ICE BK
72	WR23X0366	SWITCH CRADLE ACTUATOR
73	WR17X4206	CHUTE ICE
75	WR17X3670	GROMMET TUBE ASM
76	WR02X8933	SLEEVE WATER LINE
80	WR02X8545	NUT & UNION ASM
90	WR55X10012	CONTROL PANEL AD
90	WR55X10021	CONTROL PANEL BK
90	WR55X10010	CONTROL PANEL WH
91	WR02X7313	PLUG SWITCH
92	WR23X10020	SENSOR DOOR ASM FZ AD
92	WR23X10022	SENSOR DOOR ASM FZ BK
92	WR23X10019	SENSOR DOOR ASM FZ WH
95	WR55X0094	MODULE POWER & COVER ASM
97	WR52X0025	THERMISTOR ASM
121	WR12X10192	TAIL HANDLE SXS BK
121	WR12X10189	TAIL HANDLE SXS AD
121	WR12X10193	TAIL HANDLE SXS WH
122	WR71X10202	MODULE ASM
124	WR71X10201	MODULE ASM
150	WR01X1791	SCR 8-15 SPEC
152	WR01X10038	SCR 8-18 AB FLTR 5/8 S
180	WR01X1966	SCREW 6-32 PL IHW 3/8
608	WR23X0427	SWITCH LIGHT FZ
900	WR78X10146	DOOR FOAM ASM FZ AD
900	WR78X10148	DOOR FOAM ASM FZ BK
900	WR78X10150	DOOR FOAM ASM FZ WH
901	WR10X0126	STRIKE MAGNET ASM BK
901	WR10X10004	STRIKE MAGNET ASM BQ
901	WR10X0125	STRIKE MAGNET ASM WH
903	WR01X2039	THIMBLE DOOR BTM FZ BK
903	WR01X10155	THIMBLE DOOR BTM FZ BQ
903	WR01X2030	THIMBLE DOOR BTM FZ WH
904	WR01X2134	SCR 10-32 PNT 1.0 S LW
911	WR01X2041	THIMBLE DOOR TOP BK
911	WR01X10154	THIMBLE DOOR TOP BQ
911	WR01X2032	THIMBLE DOOR TOP WH
916	WR01X2144	CORNER COVER FZ AD
916	WR01X2149	CORNER COVER FZ BK
916	WR01X2152	CORNER COVER FZ WH

GENERAL ELECTRIC REF TFM28PFDAWW

FRESH FOOD DOOR



GENERAL ELECTRIC REF TFM28PFDAWW

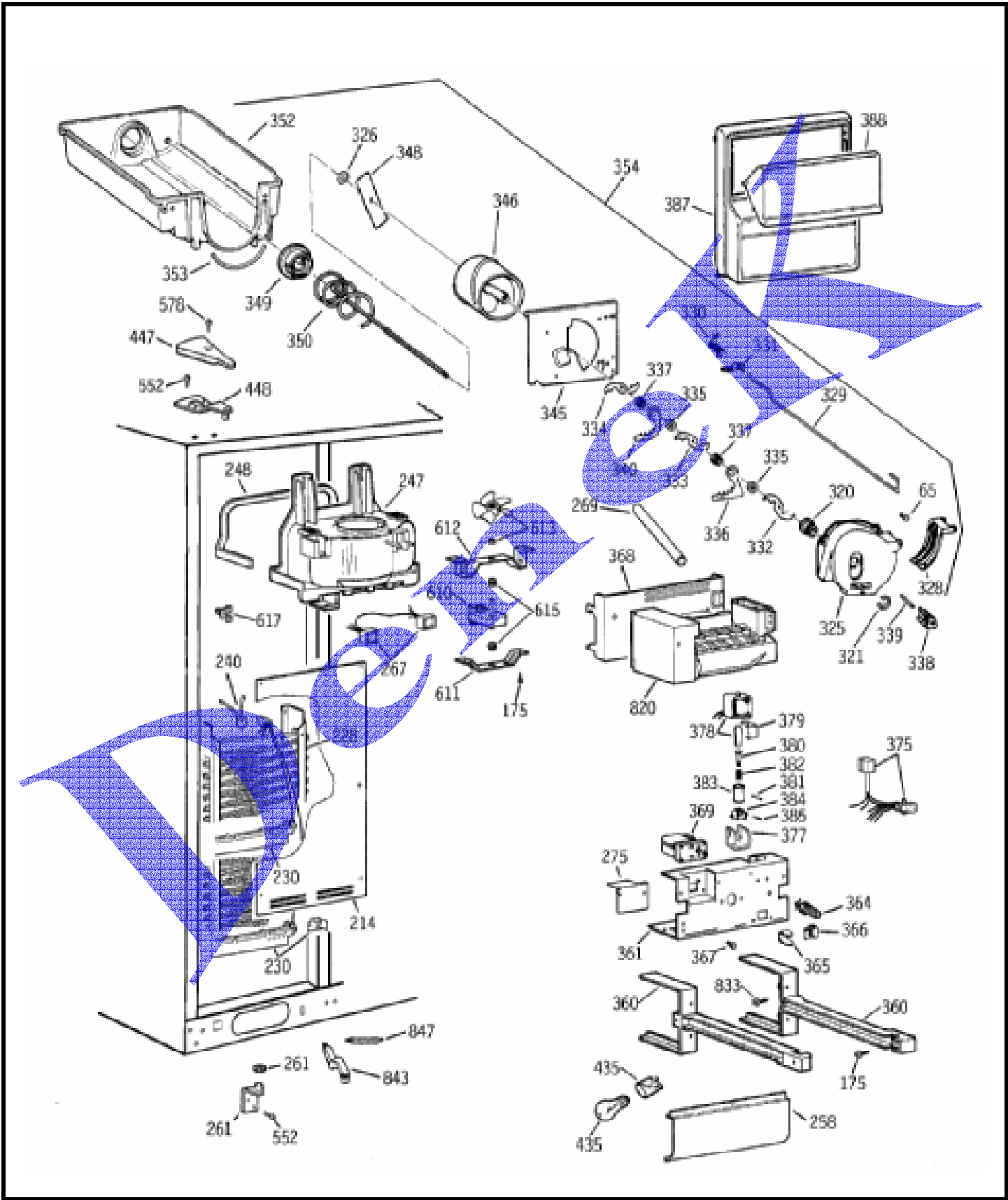
FRESH FOOD DOOR

5	WR02X10432	DART CLIP
6	WR12X10149	TAIL HANDLE SXS AD
6	WR12X10152	TAIL HANDLE SXS WH
6	WR12X10151	TAIL HANDLE SXS BK
7	WR12X10116	HANDLE SXS ASM AD
7	WR12X10132	HANDLE SXS ASM BK
7	WR12X10121	HANDLE SXS ASM WH
8	WR12X10150	TRIM HANDLE SXS
9	WR12X10190	TRIM HANDLE SXS
12	WR02X9244	STOP DOOR
16	WR02X9249	CAM CLOSURE AD FF
16	WR02X9246	CAM CLOSURE BK FF
16	WR02X9234	CAM CLOSURE WH FF
93	WR23X10018	SENSOR DOOR ASM FF AD
93	WR23X10021	SENSOR DOOR ASM FF BK
93	WR23X10017	SENSOR DOOR ASM FF WH
102	WR02X8162	FASTENER TUBULAR
103	WR24X0562	GASKET DOOR FF BK
103	WR24X0560	GASKET DOOR FF WH
106	WR22X0524	DOOR DAIRY CLEAR
108	WR77X10002	DOOR INNER FF CMK
109	WR71X10204	MODULE & TRIM ASM
113	WR38X10124	TRIM CMK DOOR AD
113	WR38X10125	TRIM CMK DOOR BK
113	WR38X10126	TRIM CMK DOOR WH
115	WR71X10205	BIN & LABEL ASM
118	WR19X0037	DISH BUTTER GLASS
119	WR17X10051	COVER ACCESS CMK
120	WR17X10263	DOOR FOAM ASM CMK AD
120	WR17X10265	DOOR FOAM ASM CMK BK
120	WR17X10268	DOOR FOAM ASM CMK WH
121	WR12X10192	TAIL HANDLE SXS BK
121	WR12X10193	TAIL HANDLE SXS WH
121	WR12X10189	TAIL HANDLE SXS AD
123	WR02X10038	SPRING LEAF LH
123	WR02X10039	SPRING LEAF RH
125	WR17X10052	DOOR ACCESS COVER
126	WR02X10040	FASTENER RECTANGULAR
126	WR24X10002	GASKET CMK DOOR
127	WR02X10034	LATCH CMK FRAME
128	WR13X10005	HINGE ARM ASM CMK
129	WR02X10035	CAP HINGE ARM
130	WR02X10032	BRACKET SWITCH CMK
131	WR01X1707	SCR 10-24 TX 11/16
132	WR02X10037	STOP HINGE ARM
133	WR02X10033	TRIGGER CMK DOOR
134	WR01X10019	SCR 6-10 PL FLP 1/2 S

136	WR12X10191	HANDLE CMK DOOR AD
136	WR17X10266	HANDLE CMK DOOR BK
136	WR12X10194	HANDLE CMK DOOR WH
141	WR01X10017	BRACKET RETAINER LH
141	WR01X10018	BRACKET RETAINER RH
142	WR02X10044	BUSHING CMK DOOR AD
142	WR02X10045	BUSHING CMK DOOR BK
142	WR02X10036	BUSHING CMK DOOR WH
143	WR02X10041	STUD HINGE ARM
152	WR01X10038	SCR 8-18 AB FLTR 5/8 S
274	WR23X10038	HARNES FF LT SW
600	WR23X10027	MICRO SWITCH
609	WR23X0426	SWITCH LIGHT FF
901	WR10X0126	STRIKE MAGNET ASM BK
901	WR10X10004	STRIKE MAGNET ASM BQ
901	WR10X0125	STRIKE MAGNET ASM WH
904	WR01X2134	SCR 10-32 PNT 1.0 S LW
910	WR78X10145	DOOR FOAM ASM FF AD
910	WR78X10147	DOOR FOAM ASM FF BK
910	WR78X10149	DOOR FOAM ASM FF WH
911	WR01X2041	THIMBLE DOOR TOP BK
911	WR01X10154	THIMBLE DOOR TOP BQ
911	WR01X2032	THIMBLE DOOR TOP WH
912	WR01X2132	THIMBLE DOOR BTM FF BK
912	WR01X10156	THIMBLE DOOR BTM FF BQ
912	WR01X2133	THIMBLE DOOR BTM FF WH
913	WR01X2143	CORNER COVER FF AD
913	WR01X2147	CORNER COVER FF BK
913	WR01X2150	CORNER COVER FF WH

GENERAL ELECTRIC REF TFM28PFDAWW

FREEZER SECTION



GENERAL ELECTRIC REF TFM28PFDAWW

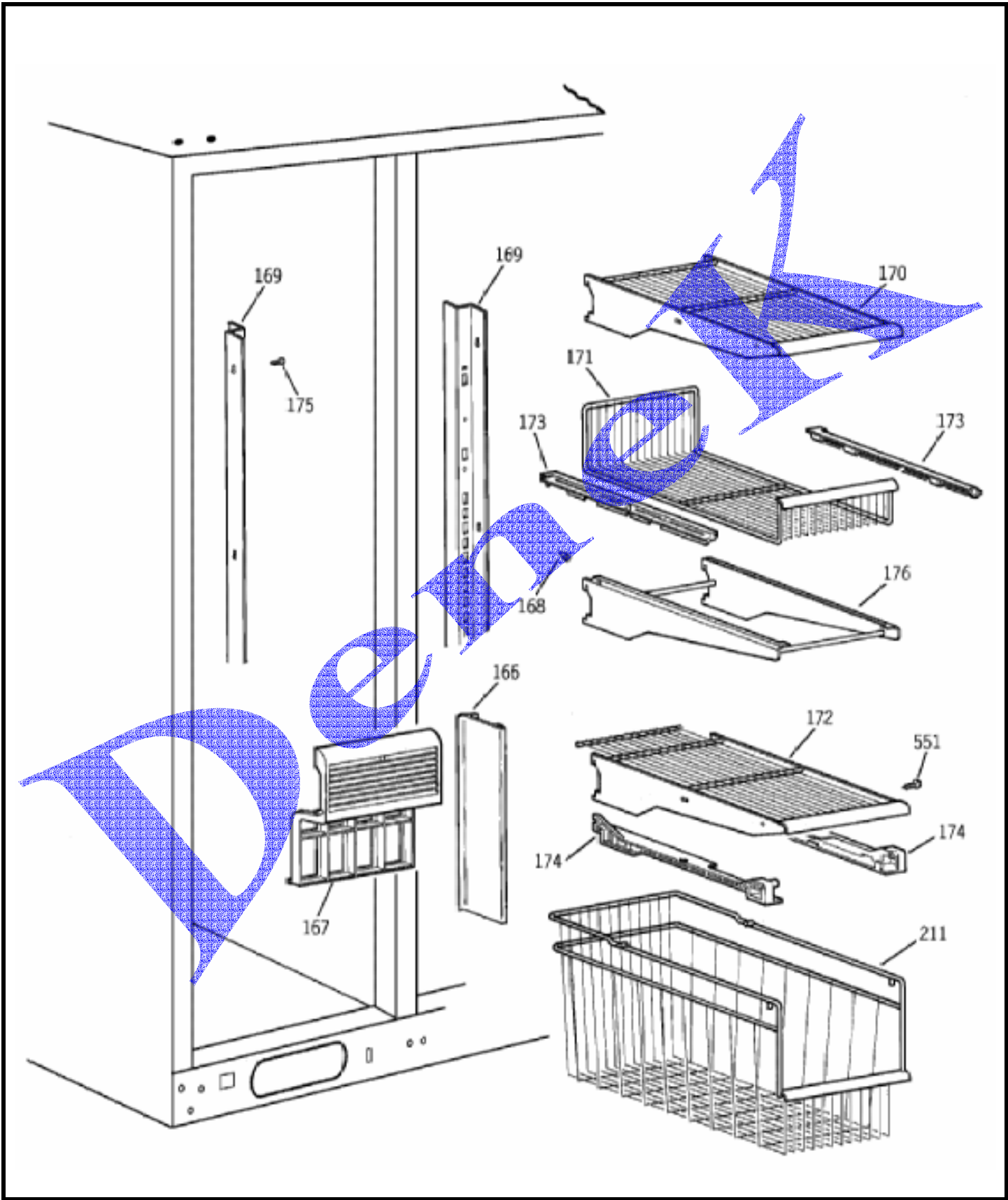
FREEZER SECTION

65	WZ04X0230	SCREW
175	WR01X10035	SCR 8-18 AB IHW 5/8 S
175	WR01X2023	SCR 8-18 AB IHW 5/8 S
214	WR17X10217	COVER EVAP
228	WR85X0306	LOW SIDE REPL ASM
230	WR51X10030	HEATER & BRACKET ASM
230	WR51X10029	HEATER HARNESS DEF ASM
240	WR50X10014	THERMOSTAT DEFROST
247	WR17X10429	ORIFICE EVAP FAN
248	WR14X0272	FOAM STRIP
258	WR17X10401	SHIELD LIGHT FZ
261	WR13X0758	HINGE BTM PIN ASM AD
261	WR13X0759	HINGE BTM PIN ASM BK
261	WR13X0762	HINGE BTM PIN ASM WH
261	WR01X2033	THRUST WASHER
267	WR23X10060	HARNESS LOW SIDE
269	WR02X7927	TUBE WATER FILL
275	WR01X2018	COVER IM PLUG
320	WR01X1585	NUT AUGER
321	WR01X1367	RETAINER RING E
325	WR17X2061	HOUSING CRUSHER DISP
326	WR01X1366	WASHER
328	WR02X4561	SPRING ICE DEFLECTOR
328	WR02X4143	PIN DEFLECTOR DISP
328	WR17X2059	DEFLECTOR ICE DISP
329	WR17X3853	WIRE ACTUATOR DISP
330	WR02X4145	SPRING
331	WR02X4251	RETAINER ACTUATOR WIRE
332	WR17X1361	BLADES MOVING DISP
333	WR17X1362	BLADES MOVING DISP
334	WR17X1363	BLADES MOVING DISP
335	WR02X4139	SPACER CRUSHER MIDDLE
336	WR17X1009	BLADE STATIONARY DISP
337	WR02X4138	SPACER CRUSHER STATIONAR
338	WR02X4140	BLADE REST DISP
339	WR02X4141	PIN SPIRAL
340	WR17X2058	BLADE STATIONARY DISP
345	WR17X2062	PLATE FRONT DISP
346	WR17X4207	HELIX FRONT DISP
348	WR02X7351	BLADE IN DISP
349	WR02X4550	CUP DRIVE DISPENSER
350	WR17X4314	AUGER HELIX DISP
352	WR30X0313	BUCKET ICE DISP
353	WR02X7905	BUCKET SEAL DISP
354	WR17X10331	BUCKET & AUGER ASM DISP
360	WR71X10154	SUPPORT ICE BUCKET
361	WR17X10431	COVER MOTOR & SOLENOID

364	WR02X7310	SUPPORT TWIST
365	WR02X4854	DRIVE AUGER DISPENSER
366	WR01X1547	NUT J
367	WR01X1788	SCR MTR MNT 8-18 TPT 1/4
368	WR02X10011	BRKT IM MTG
369	WR60X0202	MOTOR CRUSHER DISP
375	WR23X10061	HARNESS MOTOR DISP
377	WR02X7309	SADDLE SOLENOID
378	WR62X0058	SOLENOID ARM ASM
379	WR17X1063	SHROUD SOLENOID
380	WR17X1064	PLUNGER SOLENOID
381	WR02X4257	PIN SPIRAL
382	WR02X4258	SPRING SOLENOID LINKAGE
383	WR17X1065	COLLAR SOLENOID DISP
384	WR17X1066	STIRRUP
385	WR02X4259	PIN SPIRAL
387	WR17X10539	COVER BUCKET ASM
388	WR17X3838	DOOR ICE STORAGE DISP
435	STD372402	LAMP 40W 120V
435	60A	LAMP 60W APPL
435	WR02X9391	SOCKET & TERMINAL ASM
447	WR02X9438	COVER HINGE AD LH
447	WR02X9437	COVER HINGE AD RH
447	WR02X9436	COVER HINGE BK LH
447	WR02X9435	COVER HINGE RH BK
447	WR02X9434	COVER HINGE WH FF
447	WR02X9433	COVER HINGE WH FZ
448	WR13X10035	HINGE TOP & PIN ASM FF
448	WR13X10034	HINGE TOP & PIN ASM FZ
552	WR01X2022	SCREW
578	WZ02X0503	SCR 8-32 MA PA 3/8 S
610	WR60X10008	MOTOR EVAP FAN
611	WR02X10100	BRACKET EVAP FAN
612	WR02X10101	BRACKET EVAP FAN
613	WR60X10011	BLADE EVAP FAN ASM
613	WR02X3198	COMP. RING, EVAP. FAN
615	WR02X10098	GROMMET MOTOR
617	WR02X8349	GROMMET SCR CLOSED
820	WR30X0328	IM CRESCENT
833	WD02X0295	SCR 8-16X2 SS
843	WR11X0177	LEVER ASM AD FZ
843	WR11X0173	LEVER ASM BK FZ
843	WR11X0170	LEVER ASM WH FZ
847	WR01X2027	SPRING CLOSURE

GENERAL ELECTRIC REF TFM28PFDAWW

FREEZER SHELVES



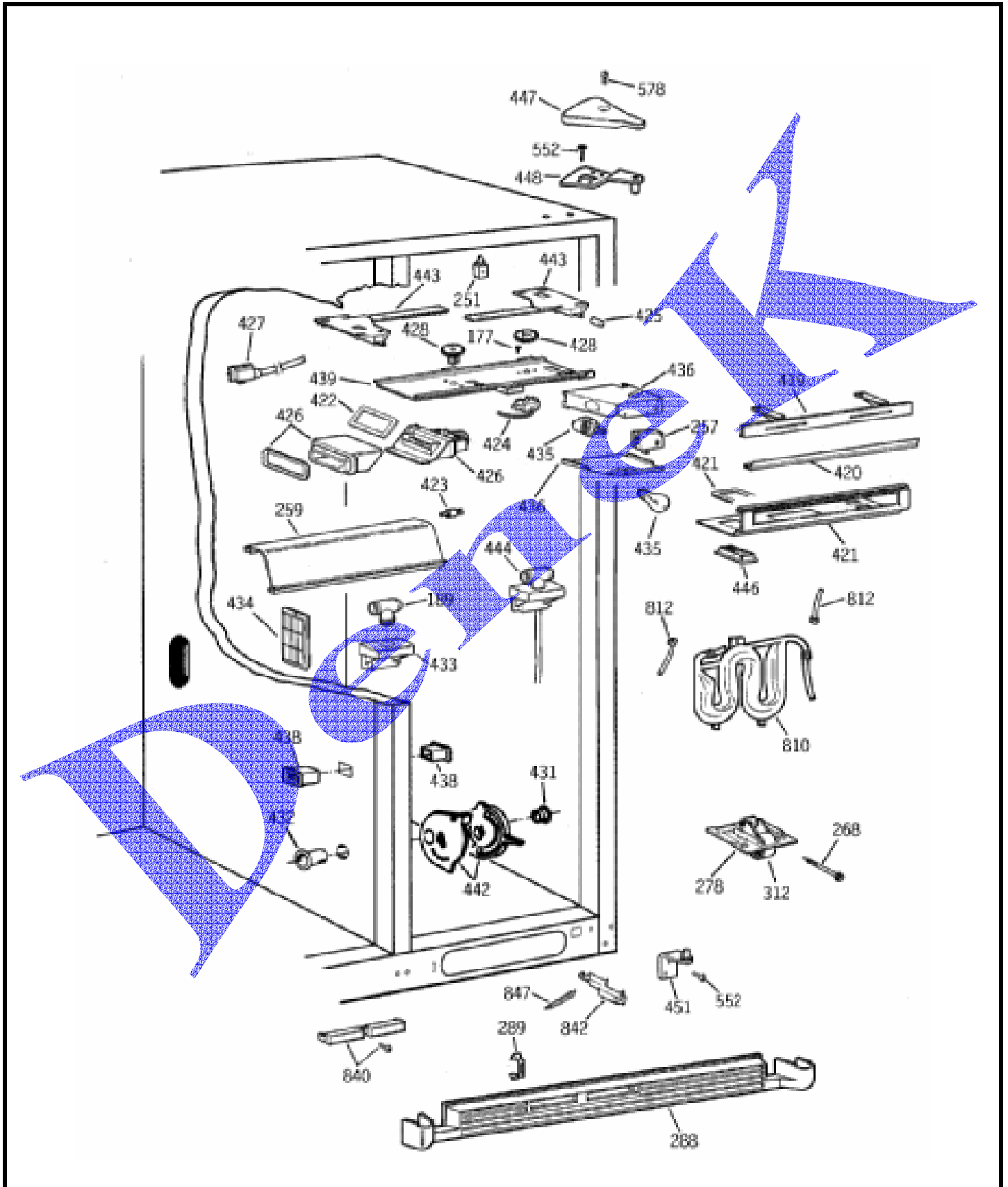
GENERAL ELECTRIC REF TFM28PFDWW

FREEZER SHELVES

166	WR17X3836	COVER EXTRUSION
167	WR17X10017	COVER DRAIN TROUGH
168	WR01X2029	STOP BASKET FZ
169	WR72X10006	TRACK CANT SHELF LH
169	WR72X10005	TRACK CANT SHELF RH
170	WR71X2530	SHELF WIRE FZ CANT
171	WR71X2521	BASKET WIRE SLIDEOUT FZ
172	WR71X10003	SHELF WIRE FZ CANT
173	WR72X0243	SLIDE BASKET FZ LH
173	WR72X0244	SLIDE BASKET FZ RH
174	WR72X10004	SLIDE BIN FZ LH
174	WR72X10003	SLIDE BIN FZ RH
175	WR01X10035	SCR 8-18 AB IHW 5/8 S
175	WR01X2023	SCR 8-18 AB IHW 5/8 S
176	WR71X2523	CANTILEVER BASKET FZ
211	WR71X2522	BIN FZ SLIDEOUT
551	WZ04X0244	SCR 8-18 AB RNDW 5/8 SS

GENERAL ELECTRIC REF TFM28PFDAWW

FRESH FOOD SECTION



GENERAL ELECTRIC REF TFM28PFDAWW

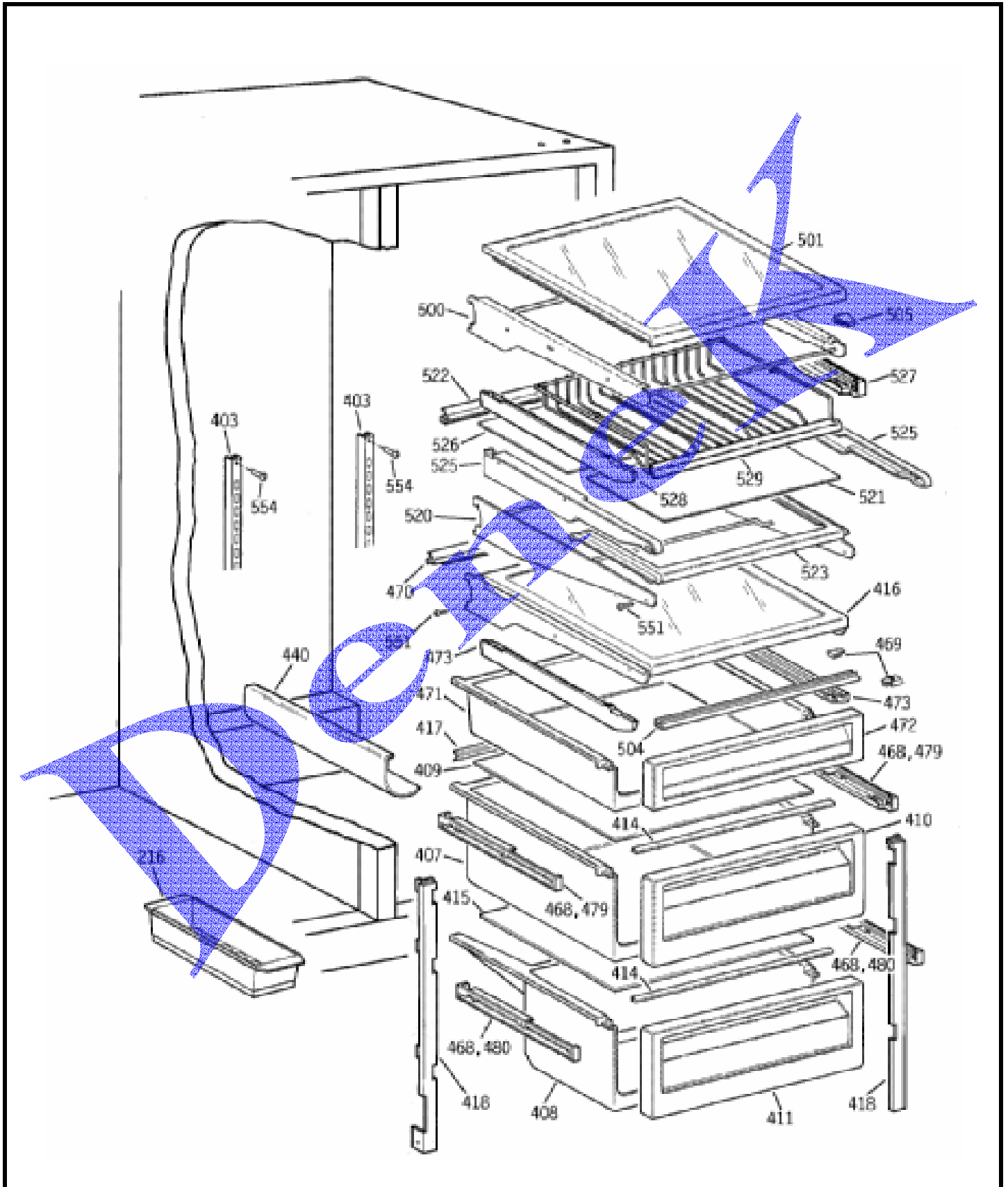
FRESH FOOD SECTION

177	WR01X5034	SCREW 8-18 A HX 1/2 S
189	WR02X9243	SOCKET LAMP
251	WR02X2880	SUPPORT TWIST
257	WR09X0489	CONTROL DEFROST
259	WR17X3909	SHIELD LIGHT LOWER FF
268	WR01X2025	SCREW MOBILITY
278	WR02X9241	MOBILITY ASM FRONT
288	WR74X10008	GRILLE BASE ASM AD
288	WR74X0264	GRILLE BASE ASM BK
288	WR74X0265	GRILLE BASE ASM WH
289	WR02X7646	CLIP BASE GRILLE
312	WR02X10137	WHEEL MOBILITY BRACKET
419	WR17X10537	BEZEL CONTROL
420	WR38X1995	TRIM EXTRUSION
421	WR17X10364	SHIELD LIGHT ASM
421	WR14X0433	GASKET LIGHT SHIELD
422	WR14X0429	GASKET FOAM BLOCK
423	WR02X6347	SUPPORT SHIELD TOP
424	WR02X8914	SLEEVE VINYL
424	WR09X0521	CONTROL TEMP
425	WR02X9439	KNOB CONTROL
426	WR02X8831	NOZZLE FOAM
426	WR14X0462	GASKET FOAM
426	WR09X10002	DAMPER CONTROL
427	WR23X10057	HARNESS CONTROL MOD
428	WR02X8829	GEAR PINION L/S
428	WR02X8828	GEAR PINION R/S
431	WR02X9299	CAP MULLION DUCT
432	WR02X8654	DUCT MULLION
433	WR02X9239	HOUSING LAMP SOCKET
433	WR02X8202	SOCKET & TERMINAL
434	WR17X10262	GRILLE AIR RETURN
435	WR02X9391	SOCKET & TERMINAL ASM
435	STD372402	LAMP 40W 120V
435	60A	LAMP 60W APPL
436	WR02X8819	BOX CONTROL BTM
436	WR02X8820	BOX CONTROL TOP
438	WR02X7476	DUCT MULLION FF
438	WR02X8655	DUCT MULLION FZ
439	WR17X10306	SLIDE CONTROL
442	WR02X9432	CONTROL MEAT PAN ASM
443	WR17X3318	RACK GEAR CONTROL L/S
443	WR17X3319	RACK GEAR CONTROL R/S
444	WR23X10069	HOUSING LIGHT LWR ASM
446	WR17X10038	GRILLE LIGHT SHIELD
447	WR02X9438	COVER HINGE AD LH
447	WR02X9437	COVER HINGE AD RH

447	WR02X9436	COVER HINGE BK LH
447	WR02X9435	COVER HINGE RH BK
447	WR02X9434	COVER HINGE WH FF
447	WR02X9433	COVER HINGE WH FZ
448	WR13X10035	HINGE TOP & PIN ASM FF
448	WR13X10034	HINGE TOP & PIN ASM FZ
451	WR13X10008	BTM HINGE & PIN ADJ AD
451	WR13X10004	HINGE BTM ASM BK
451	WR13X0761	HINGE BTM ASM WH
552	WR01X2022	SCREW
578	WZ02X0503	SCR 8-32 MA PA 3/8 S
810	WR17X3982	WATER TANK DISP ASM
812	WR17X2891	TUBE PLASTIC
840	WR01X2024	SCR 8-32 T PA 7/8 S
840	WR11X10002	MAGNET & COVER ASM AD
840	WR11X10001	MAGNET & COVER ASM BK
840	WR11X0181	MAGNET & COVER ASM WH
842	WR11X0176	LEVER ASM AD FF
842	WR11X0172	LEVER ASM BK FF
842	WR11X0169	LEVER ASM WH FF
847	WR01X2027	SPRING CLOSURE

GENERAL ELECTRIC REF TFM28PFDAWW

FRESH FOOD SHELVES



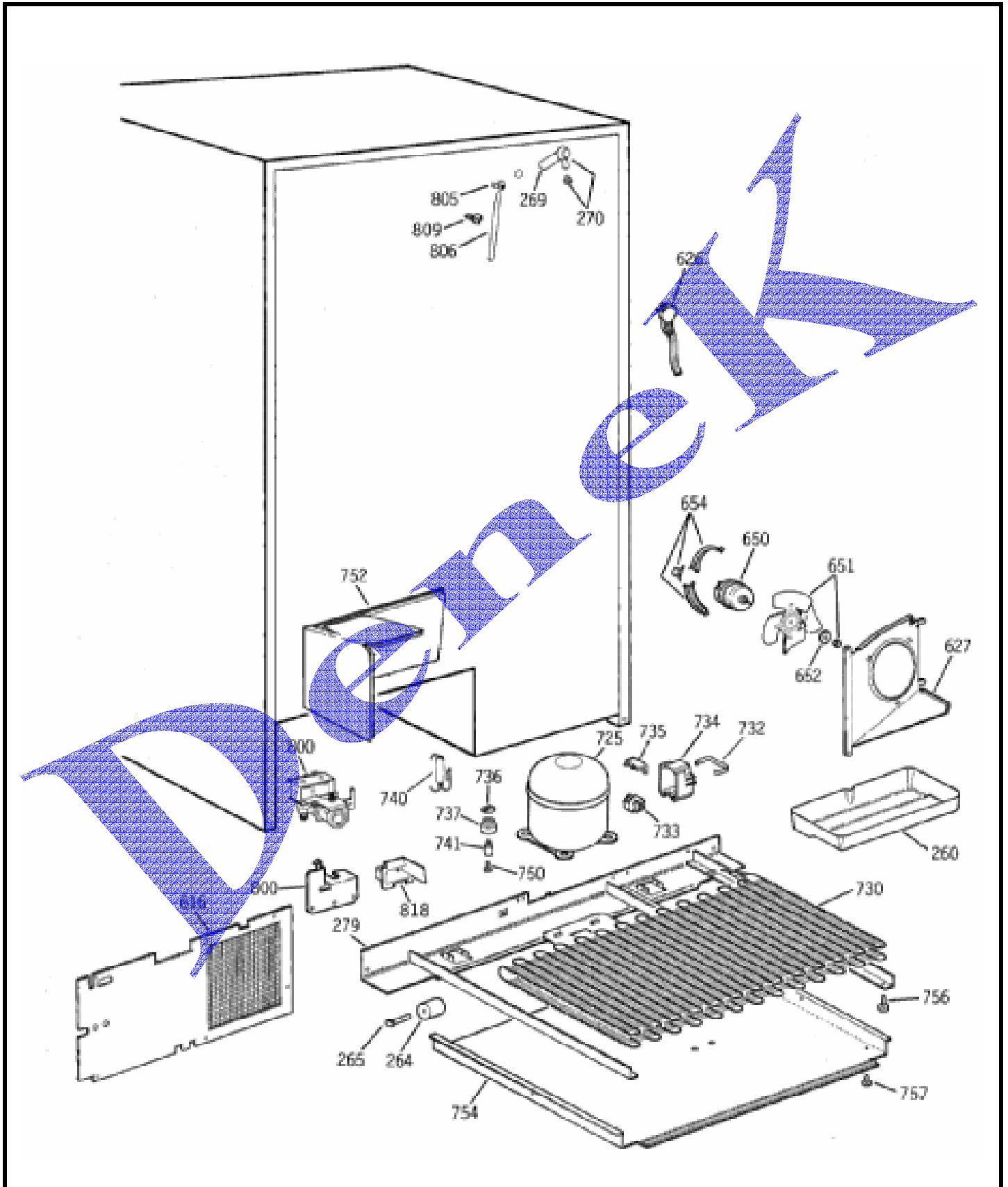
GENERAL ELECTRIC REF TFM28PFDAWW

FRESH FOOD SHELVES

216	WR32X1435	BUCKET EGG
403	WR72X0249	TRACK CANT SHELF
407	WR32X1461	PAN VEG CLEAR UPPER
408	WR32X10092	PAN MEAT CLEAR LOWER
409	WR32X1456	COVER PAN GLASS
410	WR17X10542	FRAME ASM PAN
411	WR17X10540	FRAME ASM PAN
414	WR14X0431	GASKET PAN COVER FRT
415	WR32X1457	COVER PAN GLASS
416	WR32X10102	SHELF CANT SP CVR
417	WR14X0466	GASKET SHIELD LOWER
418	WR17X10538	TRIM PAN LH
418	WR17X4086	TRIM PAN RH
440	WR17X4094	WINE RACK PACK ASM
468	WR01X2048	BEARING SLIDE
469	WR01X2049	BEARING SLIDE RH
470	WR14X0465	GASKET PAN CVR REAR
471	WR32X1460	PAN SNACK CLEAR
472	WR17X10541	FRAME ASM PAN
473	WR72X0282	SLIDE SNACK LH
473	WR72X0283	SLIDE SNACK RH
479	WR72X0240	SLIDE ASM RH
479	WR72X0239	SLIDE ASM LH
480	WR72X0241	SLIDE ASM LH
480	WR72X0242	SLIDE ASM RH
500	WR71X2559	SHELF CANT SPILLPRF
501	WR32X10346	SHELF ENCAP SLIDE OUT
504	WR14X0474	GASKET PAN COVER FRT
505	WR01X2080	STOP SHELF
520	WR71X2246	SHELF CANT TUCKAWAY
521	WR32X10101	SHELF GLASS TUCKAWAY
522	WR38X2240	REFLECTOR TUCKAWAY
523	WR71X2494	SHELF FRAME TUCKAWAY
525	WR72X0219	SLIDE TUCKAWAY LH
525	WR72X0218	SLIDE TUCKAWAY RH
526	WR32X10100	SHELF GLASS TUCKAWAY
527	WR72X10038	SLIDE BEV RACK RH
528	WR72X10039	SLIDE BEV RACK LH
529	WR72X10040	RACK BEVERAGE
551	WZ04X0244	SCR 8-18 AB RNDW 5/8 SS
554	WR01X2141	SCR 10-24 TR HXW I S

GENERAL ELECTRIC REF TFM28PFDAWW

UNIT PARTS



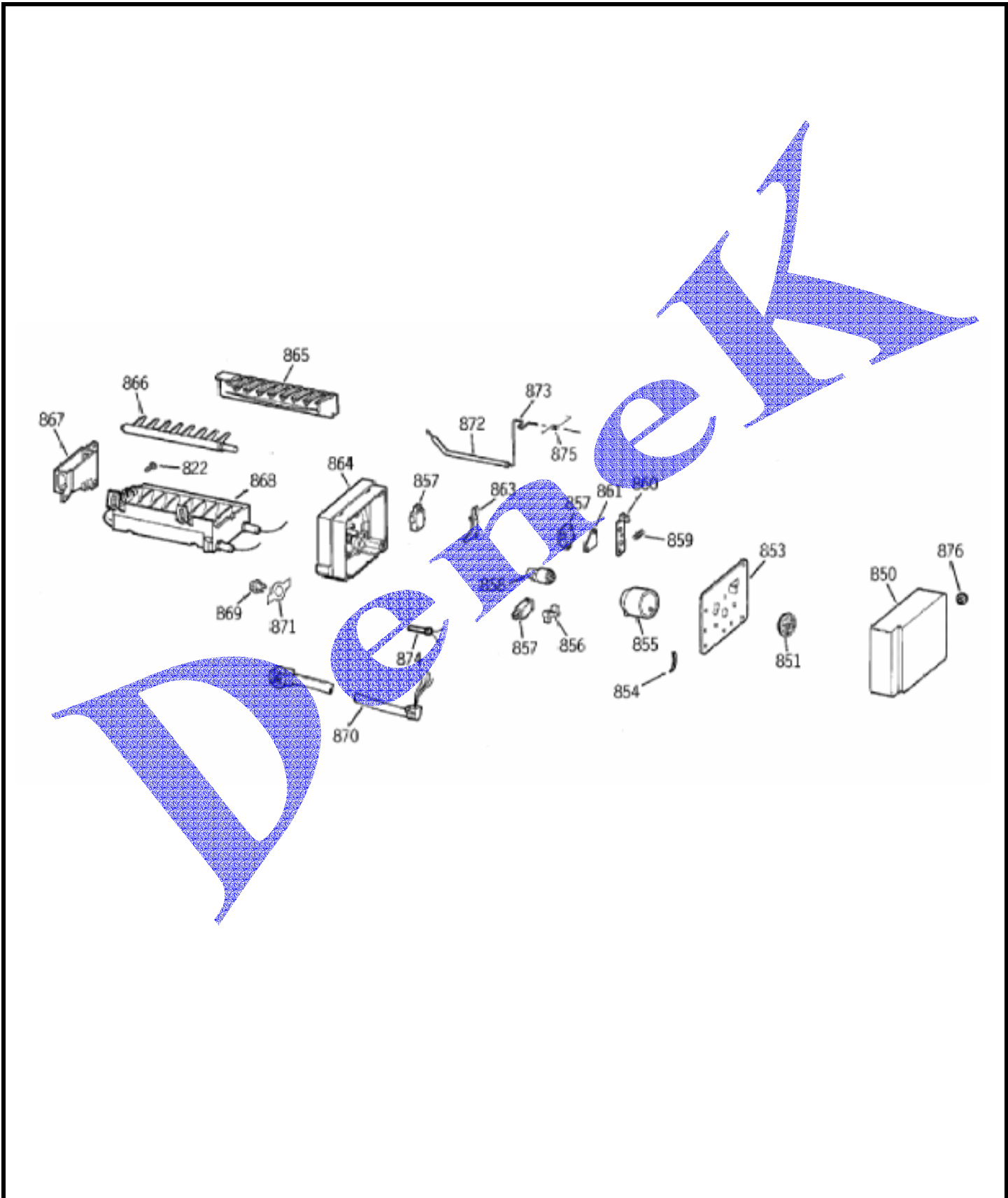
GENERAL ELECTRIC REF TFM28PFDAWW

UNIT PARTS

260	WR32X10011	PAN WATER DISPOSAL
264	WR02X8838	WHEEL MOBILITY REAR
265	WR01X2050	AXLE WHEEL
269	WR02X7927	TUBE WATER FILL
270	WR02X8474	GROMMET WATER FILL
270	WR01X5223	CLAMP HOSE
279	WR17X10483	RAIL MTG ASM
616	WR82X10050	COVER ACCESS ASM
626	WR23X0420	POWER CORD
626	WR01X5278	CLAMP CABLE
627	WR17X10189	HOUSING COND FAN
650	WR60X10010	MOTOR COND FAN
651	WR01X1515	NUT LOCKING
651	WR60X0234	BLADE COND FAN ASM
652	WR01X1714	WASHER
654	WR01X2019	GROMMET COND FAN LEG
654	WR02X9240	LEG COND FAN HSG
725	WR87X10010	COMP REPL KIT
730	WR84X0213	COND ASM
732	WR02X7226	CLAMP-COVER
733	WR07X0277	PTCR
734	WR02X7834	COVER RELAY
735	WR08X10006	OVERLOAD
736	WR02X8203	CLIP COMPRESSOR MOUNT
737	WR02X10099	GROMMET
740	WR86X0096	DRYER & FILTER ASS'Y
741	WR01X1779	STUD MTG COMPR
750	WR01X1786	SCR 10-32 TR 1/2
752	WR82X10028	INSULATION
754	WR82X10054	FLOOR
756	WR01X2021	PAD
757	WR01X2035	FASTENER PUSH
800	WR02X10153	BRACKET WATER VALVE
800	WR57X10030	WATER VALVE ASM
805	WR02X3736	CLAMP TUBE
806	WR02X9245	WATER LINE
809	WR01X1936	FASTENER WATER TUBE
818	WR02X10422	GUARD SPLASH

GENERAL ELECTRIC REF TFM28PFDAWW

ICE MAKER



GENERAL ELECTRIC REF TFM28PFDAWW

ICE MAKER

822	WR01X2122	SCR 10-32 BT PNP 3/8 S
850	WR29X0193	COVER IM
851	WR29X5110	GEAR
853	WR29X5111	PLATE MOUNTING
854	WR29X10002	SPRING BEAM
855	WR29X10001	MOTOR
856	WR29X5118	SPACER HOLDING SWITCH
857	WR29X5171	SWITCH IM
858	WR29X5119	CAM
859	WR29X5115	SPRING
860	WR29X5114	PLATE VALVE SWITCH
861	WR29X5117	INSULATOR
863	WR29X5121	ARM LEVER
864	WR29X0183	HOUSING
865	WR29X0160	STRIPPER
866	WR29X5126	EJECTOR
867	WR29X0208	BRNG INLET(FILL CUP)
868	WR29X0204	MOLD/HEATER ASM
869	WR29X0157	THERMOSTAT
870	WR29X0186	WIRE HARNESS
871	WR29X0158	CLAMP THERMOSTAT
872	WR29X5128	SLEEVE VINYL
873	WR29X5129	ARM SHUT OFF
874	WR29X0185	THERMAL CUT-OFF
876	WR02X8483	PLUG BUTTON