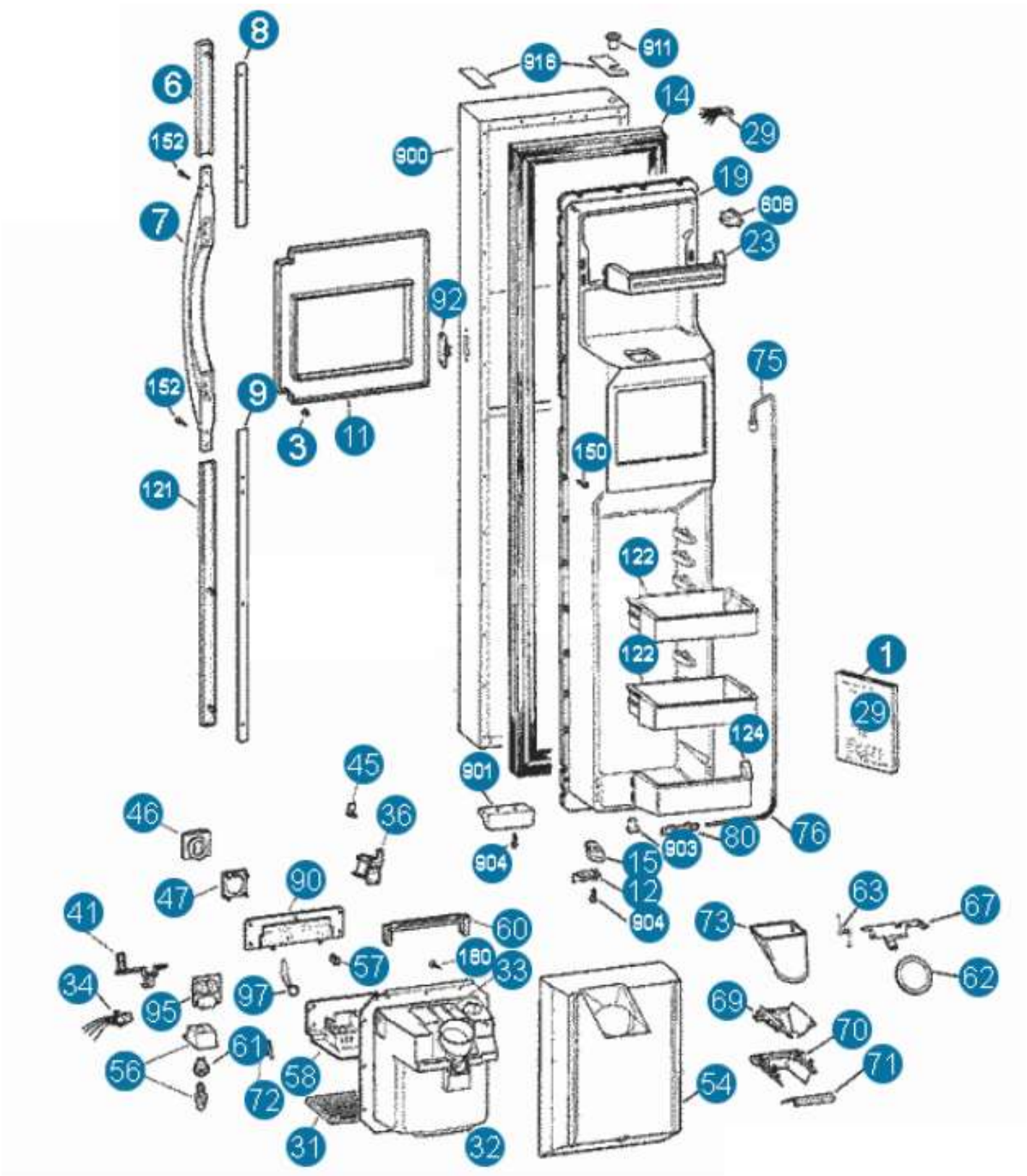




REFRIGERADOR TFT28PFBCWW



BENITO JUÁREZ #1500 GPE ZITON, CD. GUADALUPE NUEVO LEÓN TEL: 8183377999 Y 49
HORARIOS: LUNES A VIERNES 8:30 A 6:00 PM Y SÁBADOS DE 8:30 A 2:00 PM
www.denek.com



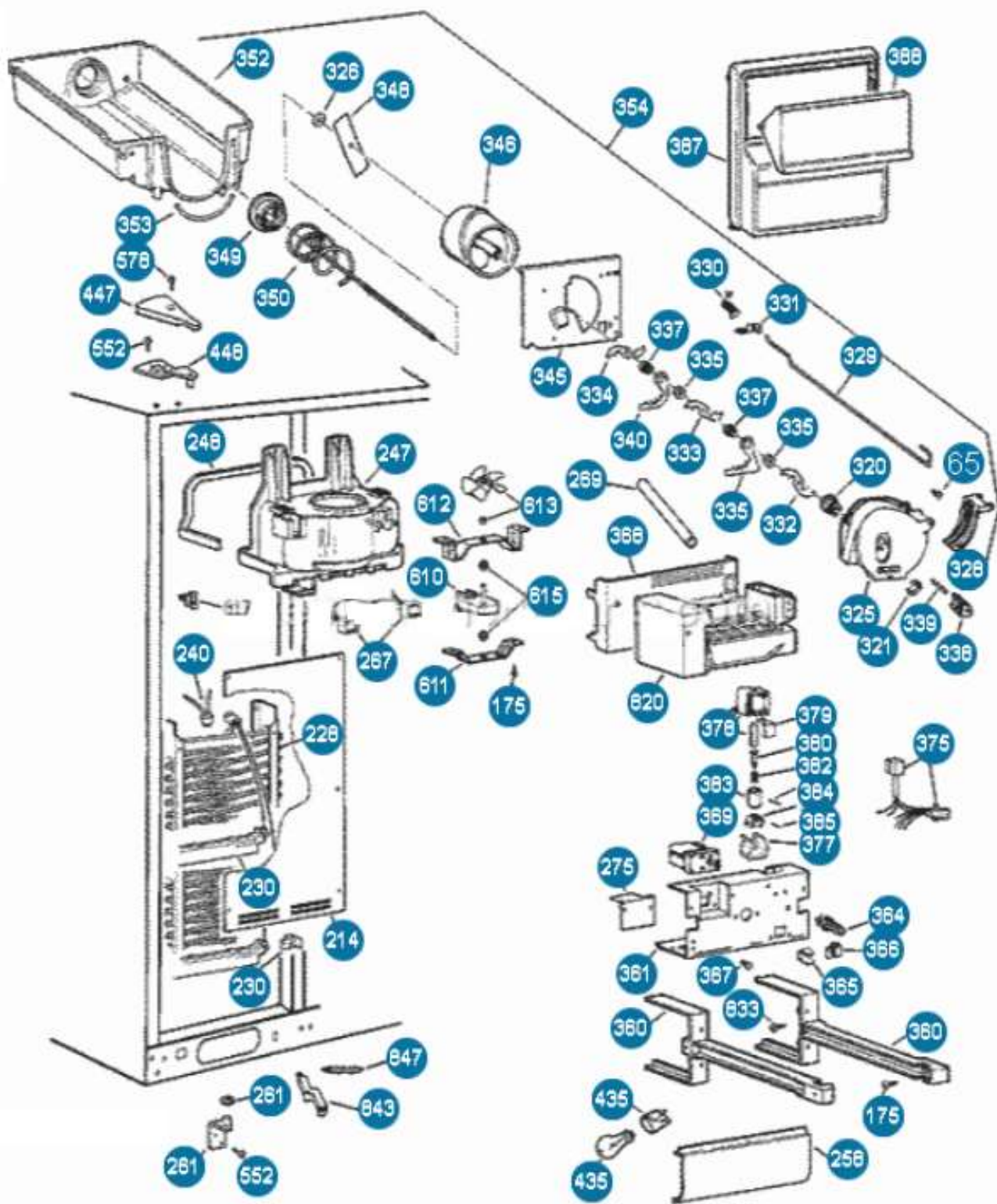
REFRIGERADOR TFT28PFBCWW

Guía	Número de parte	Descripción
1	Pm Mini Manual Wiring	N/A
3	Fastener Tubular	WR2X8669
6	Upper Tail Handle - White	N/A
7	Handle Sxs Asm	WR12X10782
8	Trim Handle Sxs Obsolete - Not	WR12X10150
9	Trim Handle Sxs Obsolete - Not	WR12X10190
10	Screw	WR01X10065
11	Trim Recess Disp Wh Obsolete	WR38X10086
12	Stop Door	WR2X9244
14	Gasket Door Fz Wh Obsolete - Not	WR24X559
15	Cam Closure Ad Fz Obsolete - Not	WR2X9246
19	Door Inner Fz	WR77X10001
23	Module Asm Fz	WR71X2619
29	Harness Dr Hinge Fz	WR23X10116
31	Dispenser Grille Obsolete - Not	WR17X4153
32	Dispenser Display Recess	WR17X10190
33	Heater Recess	WR51X420
34	Harness Recess Display	WR23X10081
36	Solenoid Asm	WR62X107
41	Cradle Actuator	WR17X3493
45	Retainer Recess Door	WR2X8818
46	Pad Actuator Ad Obsolete - Not	WR2X8702
47	Support Actuator Pad Bk Obsolete -	WR2X8681
54	Insulation Recess	WR17X4208
56	Light Bulb	23D
56	Reflector	WR2X8660
57	Sw Lt Recess	WR23X367
58	Shield Recess Electrical Obsolete -	WR17X3109
60	Elect. Cover	WR2X8652
61	Lamp Socket	WR2X9561
62	Door Recess Assembly	WR17X11653
63	Spring Recess Door	WR2X8663
67	Crank Door Recess	WR17X3089
69	Funnel Recess Shield Bk Obsolete -	WR17X3095
70	Supt Fun-Grd	WR2X8954
71	Deflector Ice Bk Obsolete - Not	WR17X10282
72	Switch Cradle Actuator Obsolete -	WR23X366



REFRIGERADOR TFT28PFBCWW

Guía	Número de parte	Descripción
73	Chute Ice	WR17X4206
75	Grommet & Tube Asm	WR17X3670
76	Sleeve Water Line	WR2X8933
80	Connector For Plstc H2O Line	WR02X11330
86	Scr 8-32 Tt Fl 1/2 S Obsolete - Not	WH2X940
87	Screw	WZ4X241D
90	Control Panel White	WR55X10010
91	Plug Switch	WR2X7313
92	Sensor Dr Frz Wh	WR23X10022
95	Discontinued Obsolete - Not	WR55X115
97	Termistor As	WR52X25
121	Bottom Tail Handle	WR12X10193
122	Module Asm	WR71X10020
124	Module Asm Obsolete - Not	WR71X2701
150	Scr 8-15 Spec	WR1X1791D
152	Scr 8-18 Ab Fltr 5/8 S Obsolete	WR01X10596
180	Screw 6-32 Pl Ihw 3/8	WE02X10011
303	Housing Terminal Obsolete - Not	WD1X1440
324	Plug Button	WR2X7051
405	Tape Foam	WR14X264
564	Screw	WE2X186D
608	Switch Light Fz	WR23X427
676	Screw	WD2X5166
683	Discontinued Obsolete - Not	WR1X1935
689	Screw	WZ5X246
758	Scr 8-32 X 3/8 Sph	WD2X323D
782	Terminal Blk Asm 2 Pin	WB17X5060
900	Door Foam Assy Fz White	WR78X10271
901	Strike Mag Kit White Obsolete - Not	WR49X10040
903	Thimble Door	WR1X2030
904	Scr 10-32 Gx Pnt20 1 S L	WR01X10610
911	Thimble Door Top Wh Obsolete -	WR1X2032
916	Corner Cover	WR1X2152
1506	Housing Socket Pkg 9 Pin Obsolete	WB17X5059





REFRIGERADOR TFT28PFBCWW

Guía	Número de parte	Descripción
65	Screw	WZ4X230D
175	Screw	WR01X10652
175	Screw	WR1X2023
214	Cover Evap	WR17X10217
228	Low Side Asm Obsolete - Not Available	WR85X306
230	Bracket Def Htr Obsolete - Not Available	WR2X8647
230	Heater Def Asm	WR51X10022
240	Thermostat Def	WR50X122
247	Orifice Evap Fan Obsolete - Not	WR17X10429
248	Foam Strip	WR2X3899
258	Freezer Light Shield - White Obsolete -	WR17X10401
261	Thrust Washer	WR1X2033
261	Hinge Btm	WR13X762
267	Harness Low Side	WR23X10060
269	Tube Water Fill	WR2X7927
275	Cover Im Plug	WR1X2018
320	Nut Auger Obsolete - Not Available	WR1X1585
321	Retainer Ring E	WR1X1367D
325	Housing Crusher Disp	WR17X2061
326	Washer	WR1X1366D
328	Deflector Ice Disp	WR17X2059
328	Pin Deflector Disp	WR2X4143
328	Spring Ice Deflector Obsolete - Not	WR2X4561
329	Wire Actuator Disp	WR17X3853
330	Spring Deflector	WR2X4145
331	Retainer Actuator Wire	WR2X4251
332	Blades Moving Disp	WR17X1361
333	Blades Moving Disp	WR17X1362
334	Blades Moving Disp	WR17X1363
335	Spacer Crusher Middle Obsolete - Not	WR2X4139
336	Blade Stationary Disp Obsolete - Not	WR17X2216
337	Spacer Crusher Stationar	WR2X4138
338	Blade Rest Disp	WR2X4140
339	Pin Spiral	WR2X4141
340	Blade Stationary Disp	WR17X2058
345	Plate Front Disp Obsolete - Not	WR17X2062
346	Helix Front Disp	WR17X4207

Guía	Número de parte	Descripción
348	Blade In Disp Obsolete - Not Available	WR2X7783
349	Cup Drive Dispenser	WR2X4550
350	Auger Helix Display Obsolete - Not	WR17X4314
352	Ice Bucket	WR30X313
353	Bucket Seal Disp	WR2X7905
354	Bucket & Auger Assy Disp Obsolete -	WR17X10331
360	Support Ice Bucket Obsolete - Not	WR71X10154
361	Cover Motor & Solenoid Obsolete - Not	WR17X10431
364	Support Twist	WR2X7310
365	Drive Auger Dispenser Obsolete - Not	WR2X4854
366	Nut J Obsolete - Not Available	WR1X1547D
367	Scr 8-18 Tpt 1/4	WR01X10618
368	Brkt Im Mtg	WR02X10011
369	Motor Crucher Disp	WR60X10262
375	Harness Motor Disp	WR23X10572
377	Saddle Solenoid	WR2X7309
378	Solenoid & Arm Asm	WR62X23154
379	Armature Kit	WR62X26536
380	Armature Kit	WR62X26536
381	Solenoid & Arm Asm	WR62X23154
382	Armature Kit	WR62X26536
383	Solenoid & Arm Asm	WR62X23154
384	Armature Kit	WR62X26536
385	Armature Kit	WR62X26536
387	Cover Bucket Asm Obsolete - Not	WR17X10041
388	Door Ice Storage Disp	WR17X3838
435	Light Bulb	8009
435	Socket & Terminal Asm	WR2X9391
447	Hinge Cover	WR2X9433
447	Hinge Cover	WR2X9434
448	Hinge Top Asm Fz	WR13X10034
448	Hinge Top Asm Ff Obsolete - Not	WR13X10035
552	Scr 12-24 Tt Ovt .900 S	WR01X10631
578	Screw	WZ2X464D
610	Motor Evap Fan	WR60X10008
611	Bracket Evap Fan Sm Obsolete - Not	WR02X10100
612	Bracket Evap Fan Sm Obsolete - Not	WR02X10100

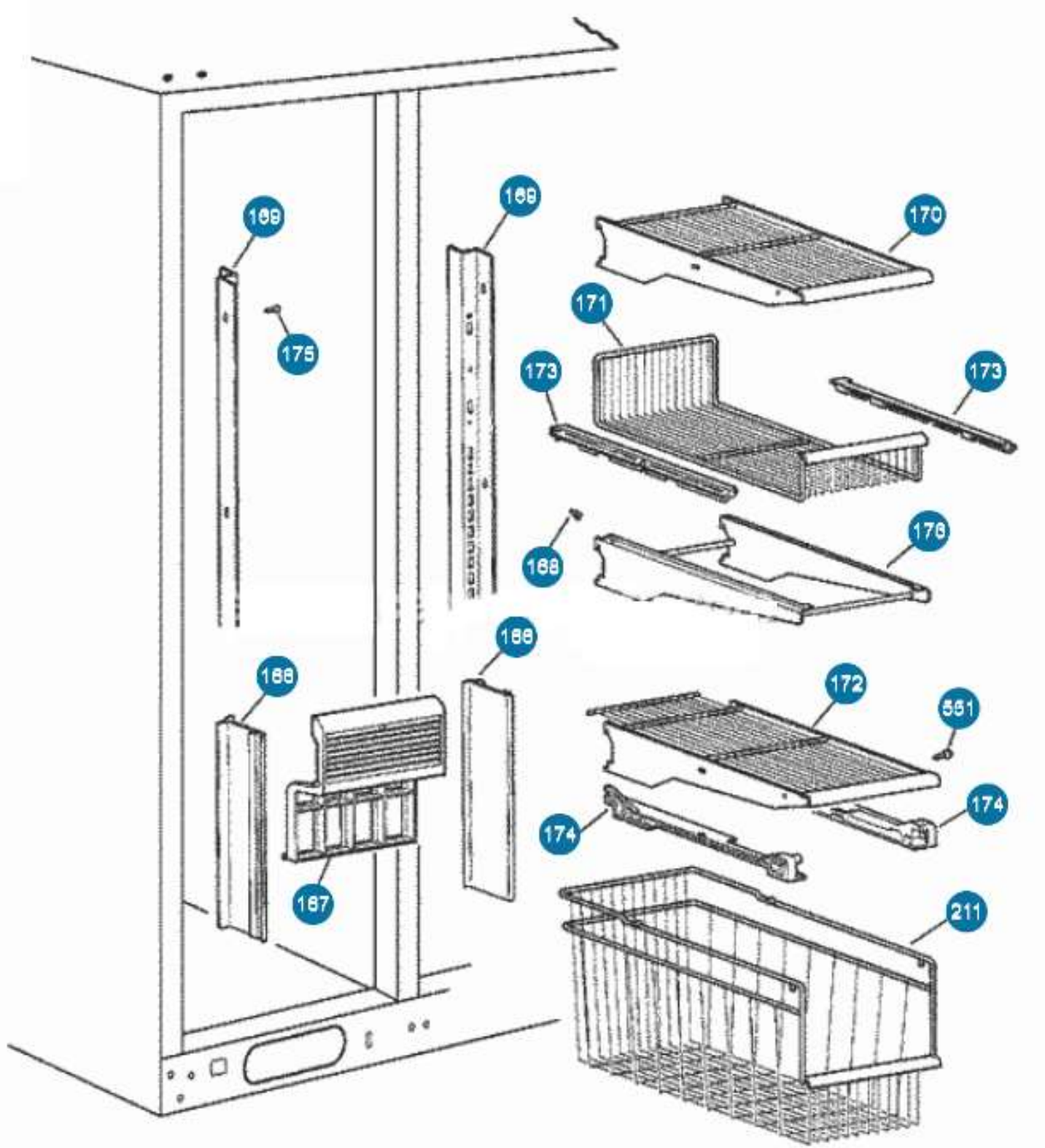


REFRIGERADOR TFT28PFBCWW

Guía	Número de parte	Descripción
613	Fan Blade Evap Motor	WR60X114
613	Blade Evap Fan Asm	WR60X10011
615	Grommet Motor	WR02X10098
617	Grommet Scr Closed	WR2X8349
820	REFRIGERATOR ICE MAKER KIT	WR30X10093
833	Scr 8-16X2 Ss	WD2X295
843	Lever Asm Wh	WR11X170
847	Spring Closure	WR1X2027



REFRIGERADOR TFT28PFBCWW



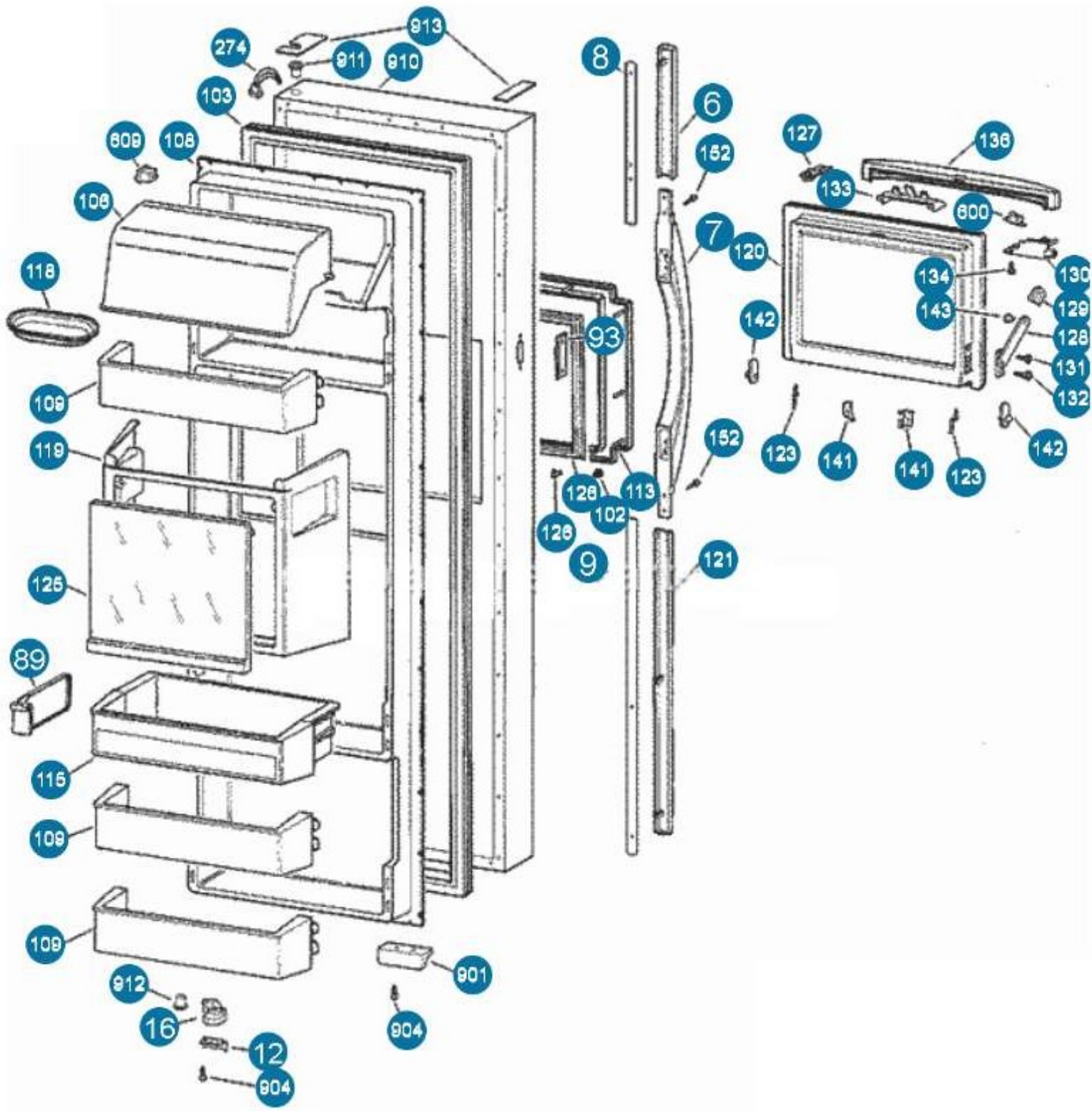


REFRIGERADOR TFT28PFBCWW

Guía	Número de parte	Descripción
166	Cover Extrusion	WR17X3836
167	Cover Drain Trough Obsolete - Not	WR17X10017
168	Stop Basket Fz	WR1X5722
169	Track Cant Shelf Lh	WR72X10006
169	Track Cant Shelf Rh	WR72X10005
170	Shelf Wire Fz Cant	WR71X2530
171	Basket Wire Slideout Fz	WR71X2521
172	Shelf Wire Fz Cant	WR71X10003
173	Slide Bskt	WR72X244
173	Slide Bskt	WR72X243
174	Slide Bin Fz Rh	WR72X10003
174	Slide Bin Fz Lh	WR72X10004
175	Screw	WR1X2023
175	Screw	WR01X10652
176	Cantilever Basket Fz	WR71X2523
211	Bin Fz Slideout	WR71X2522
551	Screw Obsolete - Not Available	WZ4X244D



REFRIGERADOR TFT28PFBCWW



BENITO JUÁREZ #1500 GPE ZITON, CD. GUADALUPE NUEVO LEÓN TEL: 8183377999 Y 49
HORARIOS: LUNES A VIERNES 8:30 A 6:00 PM Y SÁBADOS DE 8:30 A 2:00 PM
www.denek.com



REFRIGERADOR TFT28PFBCWW

Guía	Número de parte	Descripción
6	Upper Tail Handle - White Obsolete - Not	WR12X10152
7	Handle Sxs Asm	WR12X10782
8	Trim Handle Sxs Obsolete - Not	WR12X10150
9	Trim Handle Sxs Obsolete - Not	WR12X10190
12	Stop Door	WR2X9244
16	Cam Closure Bq Ff	WR02X10411
89	Snugger Module	WR2X9444
93	Sensor Dr Ff Wh Obsolete - Not	WR23X10021
102	Fastener Tubular	WR2X4990
103	Gasket Door Ff Wh	WR24X560
106	Door Dairy Clear	WR22X524
108	Door Inner Ff Cmk	WR77X10002
109	Door Shelf Bin	WR71X2525
113	Trim Cmk Door	WR38X10126
115	Module Asm	WR71X2702
118	Dish Butter Asm	WR19X10005
119	Cover Access Cmk Obsolete - Not	WR17X10051
120	Door Foam Asm Cm	WR17X12535
121	Bottom Tail Handle	WR12X10193
123	Spring Leaf Rh	WR02X10039
123	Spring Leaf Lh	WR02X10038
125	Door Access Cover	WR17X10052
126	Fastener Rectangular	WR02X10040
126	Gasket Cmk Door Obsolete - Not	WR24X10002
127	Latch Cmk Frame	WR02X10034
128	Hinge Arm Assy Cmk	WR13X10005
129	Cap Hinge Arm	WR02X10035
130	Bracket Switch Cmk	WR02X10032
131	Screw	WR1X1707
132	Stop Hinge Arm	WR02X10037
133	Trigger Cmk Door	WR02X10033
134	Scr 6-10 Pl Flp 1/2 S	WR01X10019
136	Handle Cmk Door Wh Obsolete - Not	WR12X10194
141	Bracket Retainer Lh	WR01X10017
141	Bracket Retainer Rh	WR01X10018
142	Bushing Cmk Door	WR02X10036
143	Stud Hinge Arm	WR02X10041

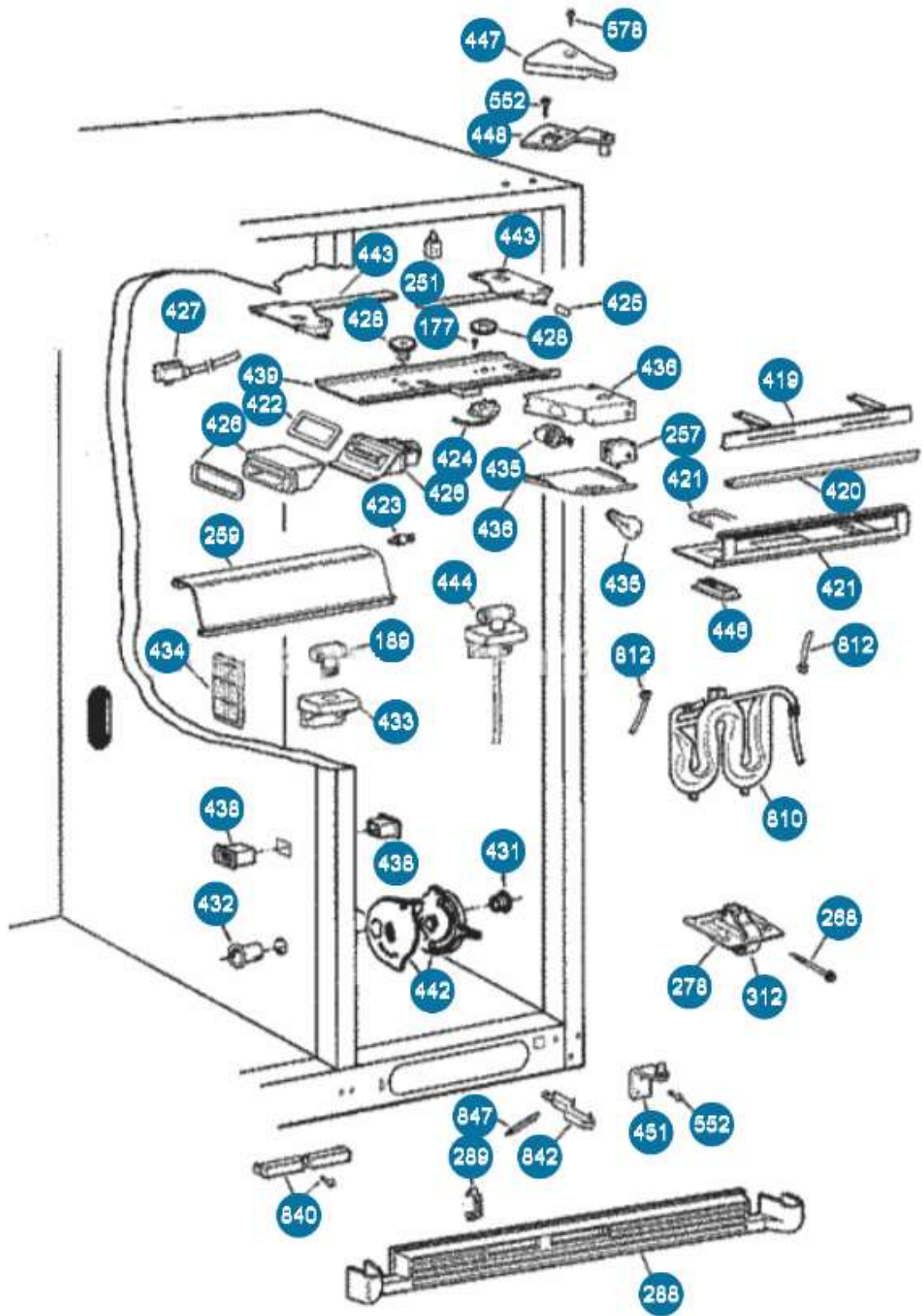


REFRIGERADOR TFT28PFBCWW

Guía	Número de parte	Descripción
152	Scr 8-18 Ab Fltr 5/8 S Obsolete - Not	WR01X10596
274	Harness Ff Lt Sw	WR23X10038
600	Micro Switch	WR23X10027
609	Switch Light Ff Obsolete - Not Available	WR23X10147
901	Strike Mag Kit White Obsolete - Not	WR49X10040
904	Scr 10-32 Gx Pnt20 1 S L	WR01X10610
910	Door Foam Asm Ff Wh	WR78X10149
911	Thimble Door Top Wh Obsolete - Not	WR1X2032
912	Thimble Door Btm Ff Wh Obsolete - Not	WR1X2133
913	Corner Cover	WR1X2150



REFRIGERADOR TFT28PFBCWW



BENITO JUÁREZ #1500 GPE ZITON, CD. GUADALUPE NUEVO LEÓN TEL: 8183377999 Y 49
HORARIOS: LUNES A VIERNES 8:30 A 6:00 PM Y SÁBADOS DE 8:30 A 2:00 PM
www.denek.com



REFRIGERADOR TFT28PFBCWW

Guía	Número de parte	Descripción
177	Screw	WZ4X338D
189	Socket Lamp Obsolete - Not	WR2X9243
251	Support Twist	WR2X2880
257	Control Defrost	WR9X489
259	Shield Light Lower Ff	WR17X3909
268	Screw Mobility	WR1X2025
278	Mobility Front Asm Obsolete - Not	WR2X9241
288	Grille Base Asm Ad Obsolete - Not	WR74X264
289	Clip Base Grille	WR2X7646
312	Wheel Mobility Bracket	WR02X10480
419	Bezel Control	WR17X3308
420	Trim Extrusion	WR38X1995
421	Shield Light Assy	WR17X10364
421	Gasket Light Shield	WR14X433
422	Gasket Foam Block	WR14X429
423	Support Shield Top	WR2X6347
424	Control Temp Obsolete - Not	WR9X521
424	Sleeve Vinyl	WR02X10031
425	Knob Control	WR2X9439
426	Damper Control Obsolete - Not	WR09X10002
426	Nozzle Foam	WR2X8831
426	Gasket Foam	WR14X462
427	Harness Control Mod Obsolete -	WR23X10057
428	Gear Pinion L/S Obsolete - Not	WR2X8829
428	Gear Pinion R/S	WR2X8828
431	Cap Mullion Duct	WR2X9299
432	Duct Mullion	WR2X8654
433	Socket Term Wh	WR2X8202
433	Housing Lamp Socket	WR2X9239
434	Grille Air Return	WR17X10262
435	Light Bulb	8009
435	Socket & Terminal Asm	WR2X9391
436	Box Control Btm Obsolete - Not	WR2X8819
436	Box Control Top Obsolete - Not	WR2X8820
438	Duct Mullion Ff	WR2X7476
438	Duct Mullion Fz	WR2X8655
439	Slide Control Obsolete - Not	WR17X10306

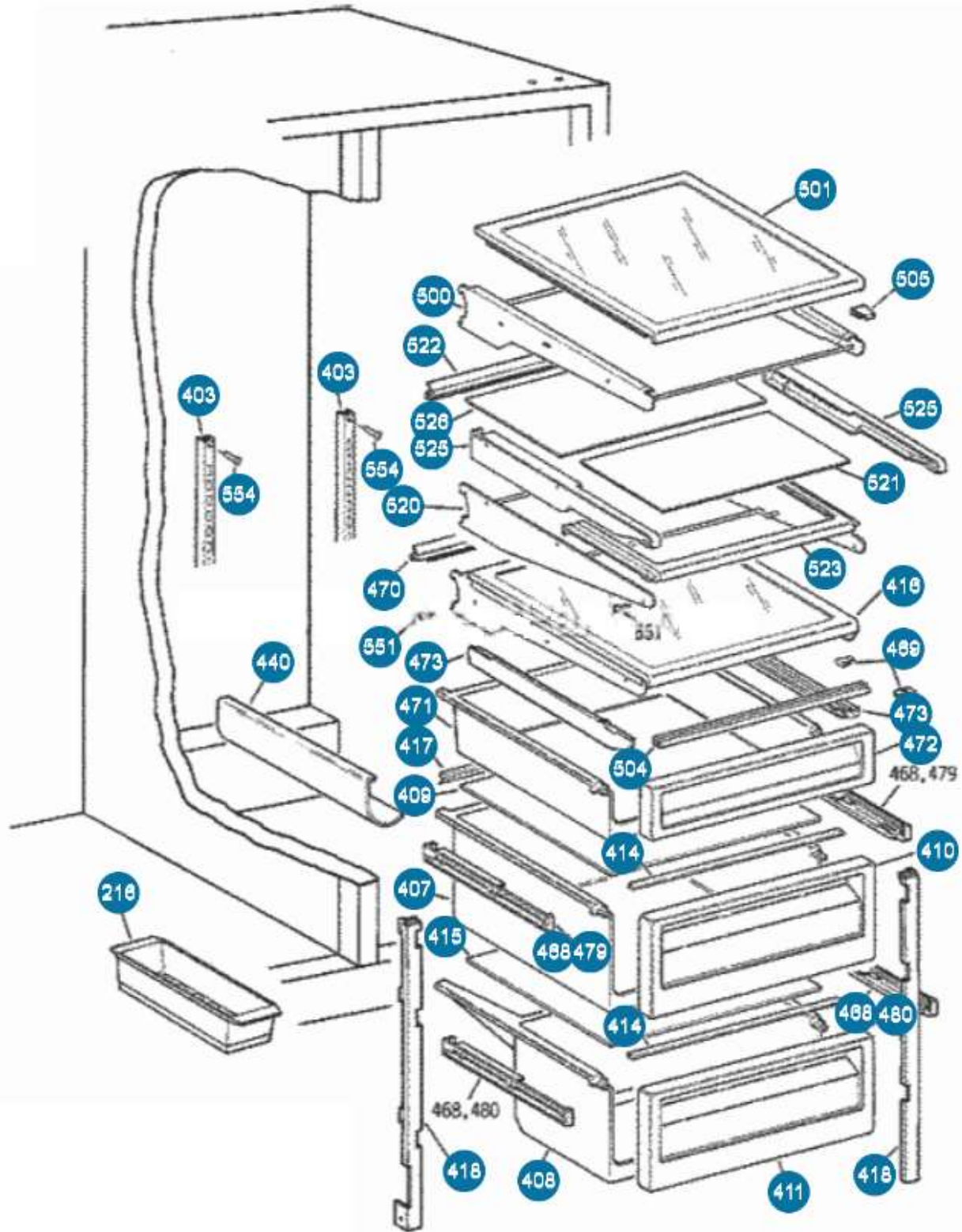


REFRIGERADOR TFT28PFBCWW

Guía	Número de parte	Descripción
442	Control Meat Pan Asm	WR2X9432
443	Rack Gear Control L/S Obsolete -	WR17X3318
443	Rack Gear Control R/S Obsolete -	WR17X3319
444	Housing Light Lwr Asm Obsolete -	WR23X10069
446	Grille Light Shield Obsolete - Not	WR17X10635
447	Hinge Cover	WR2X9434
447	Hinge Cover	WR2X9433
448	Hinge Top Asm Ff Obsolete - Not	WR13X10035
448	Hinge Top Asm Fz	WR13X10034
451	Hinge Btm Wh Obsolete - Not	WR13X761
552	Scr 12-24 Tt Ovt .900 S	WR01X10631
578	Screw	WZ2X464D
810	Water Tank Disp Asm	WR17X4358
812	Tube Plastic	WR17X2891
840	Magnet and Cover - Black Obsolete	WR11X180
840	Screw	WR1X2024
842	Lever Asm Wh	WR11X169
847	Spring Closure	WR1X2027



REFRIGERADOR TFT28PFBCWW



BENITO JUÁREZ #1500 GPE ZITON, CD. GUADALUPE NUEVO LEÓN TEL: 8183377999 Y 49
HORARIOS: LUNES A VIERNES 8:30 A 6:00 PM Y SÁBADOS DE 8:30 A 2:00 PM
www.denek.com

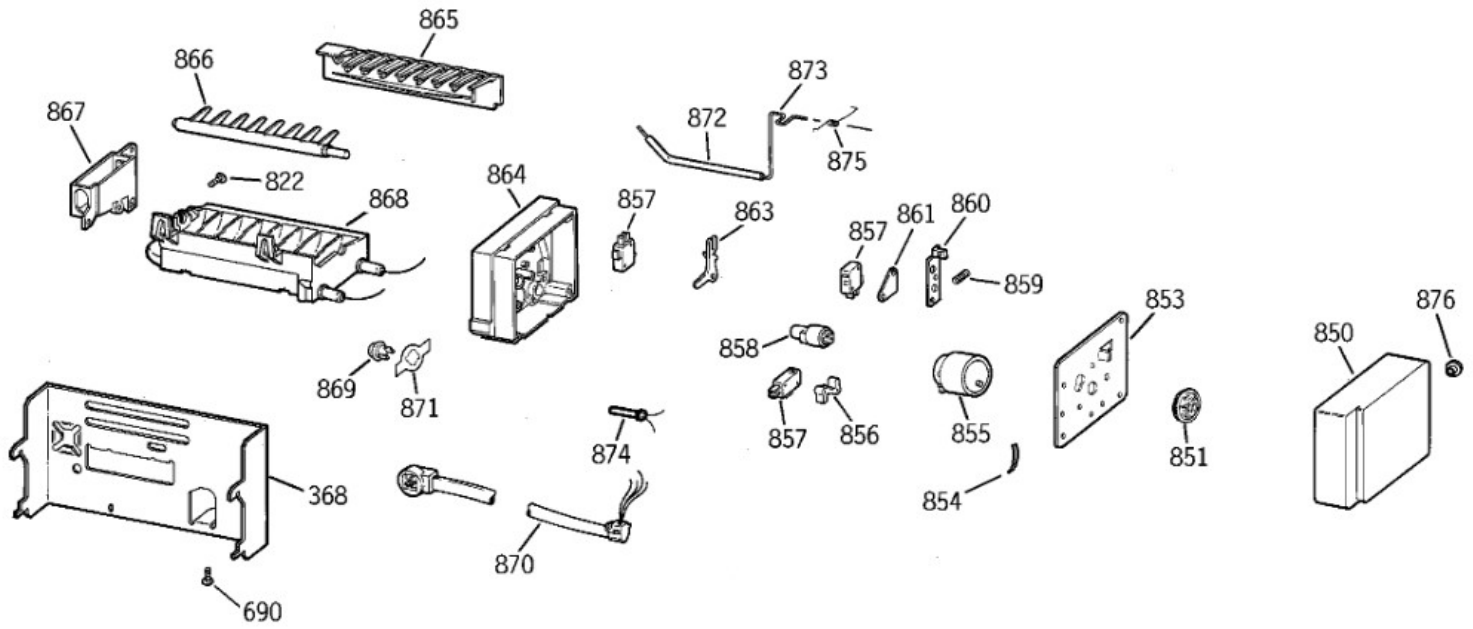


REFRIGERADOR TFT28PFBCWW

Guía	Número de parte	Descripción
216	Bucket Egg	WR32X1435
403	Track Cant Shelf	WR72X249
407	Pan Veg Clear Upper	WR32X1461
408	Lower Meat Pan	WR32X1459
409	Cover Pan Glass	WR32X1456
410	Frame Asm Pan Obsolete - Not	WR17X10542
411	Frame Asm Pan Obsolete - Not	WR17X10542
414	Gasket Pan Cover Frt Obsolete -	WR14X431
415	Cover Pan Glass	WR32X1457
416	Shelf Cant Sp Cvr Obsolete - Not	WR32X10102
417	Gasket Shld	WR14X466
418	Trim Pan Rh Obsolete - Not	WR17X4086
418	Trim Pan Lh Obsolete - Not	WR17X4085
440	Wine Rack	WR17X3364
468	Bearing Slide Lh	WR1X2048
469	Slide Asm Rh	WR72X240
470	Gasket Pan Cvr Rear	WR14X465
471	Pan Snack Clear Obsolete - Not	WR32X1460
472	Frame Asm Pan Obsolete - Not	WR17X4082
473	Slide Snack Rh Obsolete - Not	WR72X283
473	Slide Snack Lh Obsolete - Not	WR72X282
479	Left Hand Slide Assembly	WR72X239
479	Slide Asm Rh	WR72X240
480	Slide Asm Rh	WR72X242
480	Slide Asm Lh	WR72X241
500	Spill-Proof Cantilever Shelf	WR71X2559
501	Shelf Encap Slideout	WR32X1561



REFRIGERADOR TFT28PFBCWW



BENITO JUÁREZ #1500 GPE ZITON, CD. GUADALUPE NUEVO LEÓN TEL: 8183377999 Y 49
HORARIOS: LUNES A VIERNES 8:30 A 6:00 PM Y SÁBADOS DE 8:30 A 2:00 PM

www.denek.com

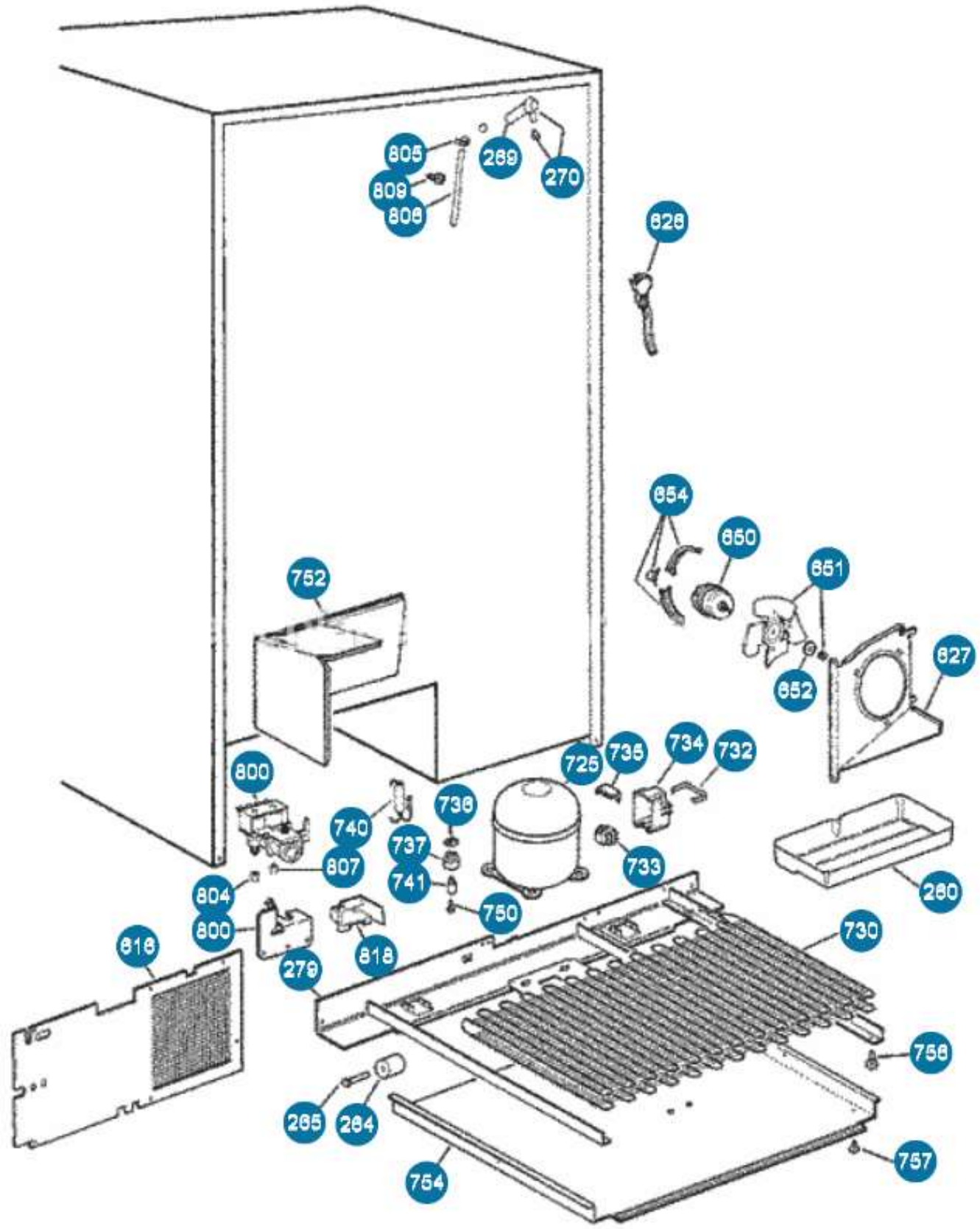


REFRIGERADOR TFT28PFBCWW

Guía	Número de parte	Descripción
368	Refrigerator bracker ice maker	WR02X10011
690	Ground screw	WR01X1466
851	Refrigerator Gear	WR29X5110
854	Beam spring	WR30X10093
855	Refrigerator ice maker motor	WR30X10093
858	Refrigerator cam	WR30X10093
859	Refrigerator spring	WR30X10093
860	Plate	WR30X10093
863	Arm lever	WR30X10093
865	Stripper	WR30X10093
866	Refrigerator ejector	WR30X10093
869	Thermostat	WR30X10093
871	Clamp t-stat	WR30X10093
874	Thermal cuto	WR30X10093
875	Refrigerator spring	WR30X10093
857	Refrigerator ice maker on/off switch	WR29X5171
822	Refrigerator screw	WR01X2122
850	Refrigerator cover	WR29X0193
853	Refrigerator mounting plate	WR29X5111
856	Spacer	WR29X5118
861	Refrigerator insulator	WR29X5117
864	E ring pkg	WR29X0115
864	Housing	WR29X183
867	Refrigerator fill cup	WR29X0208
868	Mold body	WR29X0204
870	Wire harness	WR29X0186
872	Sleeve	WR29X5128
873	Refrigerator ice maker on/off arm	WR29X5129
876	Refrigerator button plug	WR02X8483



REFRIGERADOR TFT28PFBCWW



BENITO JUÁREZ #1500 GPE ZITON, CD. GUADALUPE NUEVO LEÓN TEL: 8183377999 Y 49
HORARIOS: LUNES A VIERNES 8:30 A 6:00 PM Y SÁBADOS DE 8:30 A 2:00 PM
www.denek.com



REFRIGERADOR TFT28PFBCWW

Guía	Número de parte	Descripción
260	Pan Water Disposal Obsolete - Not	WR32X10011
264	Wheel Mobility	WR2X8838
265	Axle Wheel Obsolete - Not Available	WR1X2050
269	Tube Water Fill	WR2X7927
270	Clamp Hose	WR2X4754
270	Grommet	WR2X8474
279	Rail Mtg Asm	WR17X10400
616	Cover Access Asm Obsolete - Not	WR82X10050
626	Clamp Tube	WR1X5278
626	Power Cord	WR23X10300
627	Housing Cond Fan	WR17X10189
650	Motor Cond Fan	WR60X187
651	Blade Cond Fan Asm Obsolete -	WR60X234
651	Nut Locking Obsolete - Not	WR1X1515
652	Washer	WR1X1714
654	Leg Cond Fan Hsg	WR2X9240
654	Grommet Cond Fan Leg	WR1X2019
725	High Side Asm	WR87X10226
730	Cond Asm Obsolete - Not Available	WR84X213
732	Clamp-Cover Obsolete - Not	WR2X7226
733	PTCR	WR07X10099
734	Cover Relay Obsolete - Not	WR2X7834
735	Overload	WR08X10006
736	Clip Compressor Mount	WR2X8203
737	Grommet	WR02X22869
740	R134 DRIER	WR86X25269
741	Stud Mtg Compr	WR1X1779
750	Screw 10-32 Tr 1/2	WR82X10028
752	Insulation	WR82X10028
754	Floor Complete Asm Obsolete - Not	WR82X10054
756	Pad	WR1X2021
757	Fastener Push	WR1X2035
800	REFRIGERATOR DUAL LINE H2O VALVE KIT	WR57X10051
800	Bracket Water Valve	WR02X10153
804	Nut & Sleeve 1/4"	WR57X57
805	Clamp Tube	WR1X5278
806	Water Line Obsolete - Not Available	WR2X9245



REFRIGERADOR TFT28PFBCWW

Guía	Número de parte	Descripción
807	Connector For Plstc H2O Line	WR02X11330
807	Insert	WR2X4046
809	Fastener Water Tube	WR1X1936
818	Guard Splash	WR02X10106