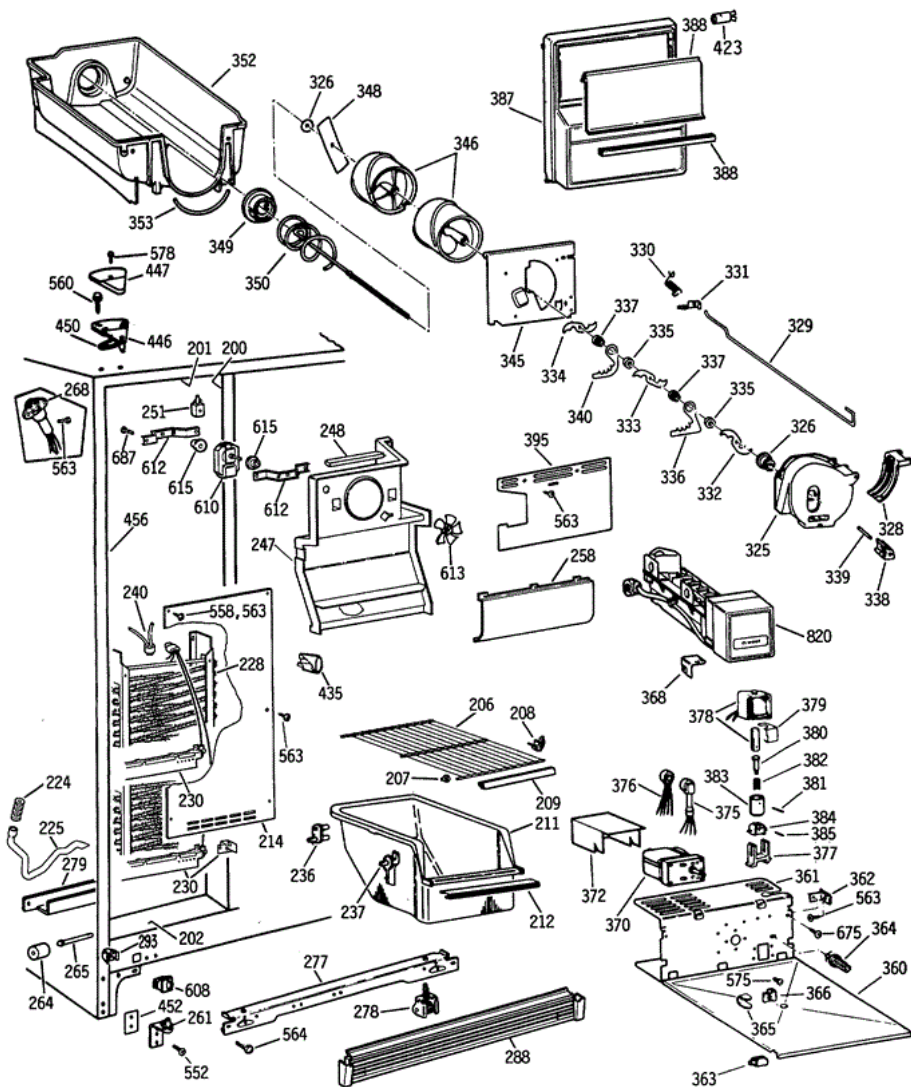


Distribuidor Autorizado

SurteRápido.com

Venta de Refacciones  
Electrodomesticas

# TFX20JRSMAD FREEZER SECTION





## TFX20JRSMAD FREEZER SECTION

200	WR40X1719	BREAKER STRIP R/S FRZ
201	WR40X1721	BREAKER STRIP TOP FRZ
202	WR40X1715	BREAKER STRIP BTM FRZ
206	WR71X1888	SHELF FZ
207	WR02X4676	GROMMET SHELF
208	WR02X4674	SUPPORT SHELF
209	WR38X1753	TRIM SHELF
211	WR21X0180	BASKET
212	WR17X2950	TRIM HANDLE BASKET
214	WR01X1332	RIVET-PLASTIC
214	WR02X8950	CLIP EVAP COVER
214	WR14X0455	GASKET COVER EVAP
214	WR17X3485	COVER EVAP
224	WR02X8657	GROMMET DRAIN TUBE
225	WR01X5042	CLAMP HOSE
225	WR02X4838	CLAMP
225	WR02X8293	TUBE DRAIN
228	WR85X0282	LOW SIDE ASM
230	WR02X8671	BRACKET DEF HTR
230	WR51X0371	DEF HEATER & HARNESS ASM
236	WR02X4548	SUPPORT BASKET-REAR
237	WR02X7036	SUPPORT BASKET-FRONT
240	WR50X0122	THERMOSTAT DEF
247	WR02X4845	SUPPORT ORIFICE
247	WR17X3483	ORIFICE EVAP FAN
248	WR14X0272	FOAM STRIP
251	WR02X2880	SUPPORT TWIST
258	WR17X3484	SHIELD LIGHT FZ
261	WR13X0615	HINGE BTM PIN & CAM ASM
264	WR02X3594	WHEEL MOBILITY
265	WR02X3595	AXLE
265	WR02X3598	COTTER PIN
265	WR02X4742	AXLE WHEEL

268	WR23X0312	IM RECEPACLE
277	WR17X3117	RAIL MACH MTG FRT
278	WR02X4858	WHEEL ASM FRT
279	WR17X3663	RAIL MACH MTG REAR
288	WR74X0215	GRILLE BASE BK
293	WR02X7080	CLIP-0. CASE-END CAP
325	WR17X2061	HSNG CRUSHER DISP
326	WR01X1366	WASHER
326	WR01X1367	RETAINER RING E
326	WR01X1585	NUT AUGER
328	WR02X4143	PIN DEFLECTOR DISP
328	WR02X4561	SPRING ICE DEFLECTOR
328	WR17X2059	DEFLECTOR ICE DISP
329	WR17X2060	WIRE ACTUATOR DISP
330	WR02X4145	SPRING
331	WR02X4251	RETAINER ACTUATOR WIRE
332	WR17X1361	BLADES MOVING DISP
333	WR17X1362	BLADES MOVING DISP
334	WR17X1363	BLADES MOVING DISP
335	WR02X4139	SPACER CRUSHER MIDDLE
336	WR17X1009	BLADE STATIONARY DISP
337	WR02X4138	SPACER CRUSHER STATIONAR
338	WR02X4140	BLADE REST DISP
339	WR02X4141	PIN SPIRAL
340	WR17X2058	BLADE STATIONARY DISP
345	WR17X2760	PLATE FRONT DISP
346	WR17X2056	HELIX REAR-DISP
346	WR17X2057	HELIX FRONT-DISP
348	WR02X7351	BLADE IN DISP
349	WR02X4550	CUP DRIVE DISP
350	WR17X2740	AUGER HELIX DISP
352	WR17X2899	BUCKET & AUGER ASM DISP
352	WR30X0257	BUCKET ICE DISP
353	WR02X7905	BUCKET SEAL DISP
360	WR02X8730	PROTECTOR SHELF
360	WR71X2444	SHELF BUCKET BTM DISP
361	WR71X2350	COVER MOTOR & SOLENOID
362	WR02X8839	BRACKET SHELF

363	WR02X8952	SUPPORT TWIST
364	WR02X7310	SUPPORT TWIST
365	WR02X4854	DRIVE AUGER DISPENSER
366	WR01X1547	NUT J
368	WR02X8459	BRACKET IM MTG
370	WR01X1788	SCREW MOTOR MOUNT
370	WR60X0202	MOTOR CRUCHER DISP
372	WR17X2946	SHIELD CRUSHER MTR
375	WR23X0194	HARNESS MOTOR DISP
376	WR23X0189	RECEPTACLE-HARNESS
377	WR02X7309	SADDLE SOLENOID
378	WR62X0058	SOLENOID & ARM ASM
379	WR17X1063	SHROUD SOLENOID
380	WR17X1064	PLUNGER SOLENOID
381	WR02X4257	PIN SPIRAL
382	WR02X4258	SPRING SOLENOID LINKAGE
383	WR17X1065	COLLAR SOLENOID DISP
384	WR17X1066	STIRRUP SOLENOID DISP
385	WR02X4259	PIN SPIRAL
387	WR17X2999	COVER BUCKET ASM
388	WR17X2882	DOOR ICE STORAGE DISP
388	WR38X1497	TRIM ICE DOOR
395	WR17X2904	SHIELD FAN
423	WR02X6347	SUPPORT SHIELD TOP
435	STD372402	LAMP 40W 120V
435	WR02X7270	SOCKET & TERMINAL ASM
446	WR13X0647	HINGE TOP ASM
447	WR02X8263	HINGE COVER AD
450	WR02X4194	SHIM HINGE TOP
452	WR02X4497	SHIM HINGE BTM.
452	WR02X7143	NUTSTRIP HINGE BTM
456	WR40X1716	BREAKER STRIP L/S FRZ
560	WR01X1249	SCREW
560	WR01X1806	SCREW
564	WR01X1194	SCR 1/4-14 BA HX 3/4 SN
578	WZ02X0503	SCR 8-32 MA PA 3/8 S
608	WR23X0368	SWITCH LIGHT WH
610	WR60X0188	MOTOR EVAP FAN

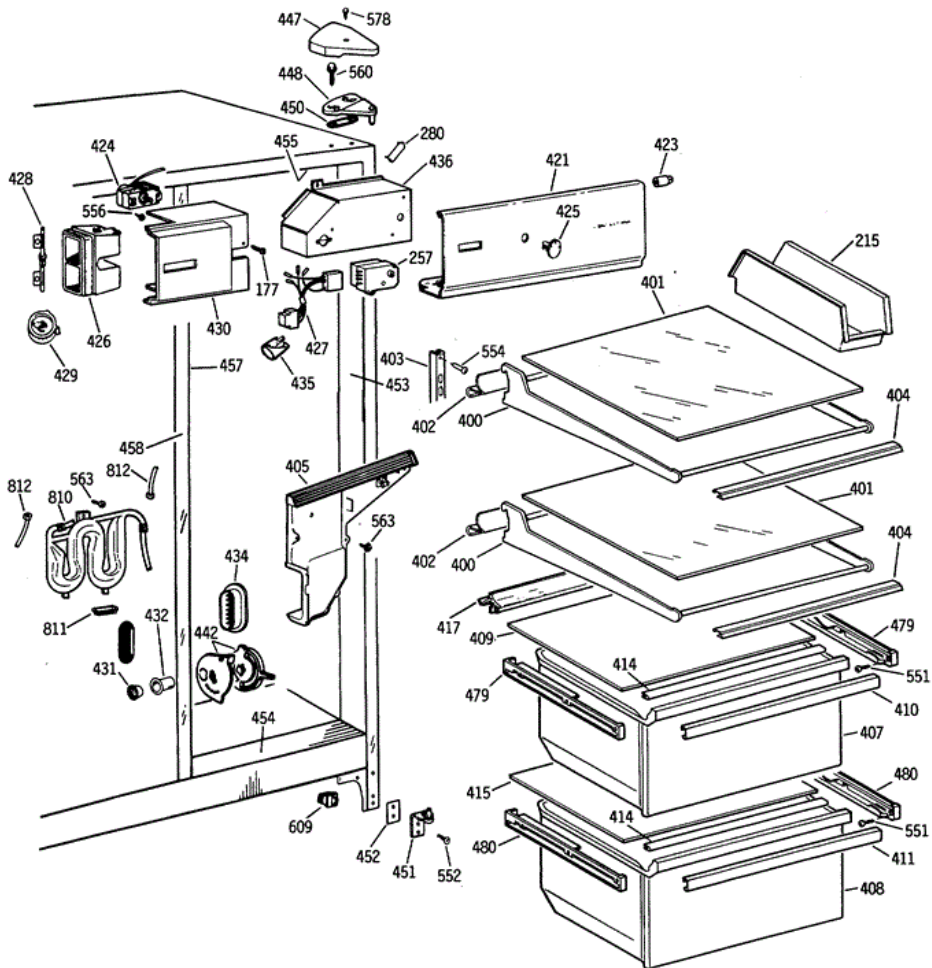
612	WR02X8549	BRACKET EVAP FAN
613	WR02X3198	RING COMPRESSION
613	WR60X0114	FAN BLADE EVAP MOTOR
615	WR02X7391	GROMMET
820	WR30X0306	IM CRESCENT

Distribuidor Autorizado

SurteRápido.com

Venta de Refacciones  
Electrodomesticas

## TFX20JRSMAD FRESH FOOD SECTION





## TFX20JRS MAD FRESH FOOD SECTION

177	WR01X5034	SCREW 8-18 A HX 1/2 S
215	WR32X1439	BUCKET UTILITY AQUA ICE
257	WR09X0489	CONTROL DEFROST
280	WR02X8519	CAP CORNER OC (AD)
400	WR71X2290	SHELF CANT
401	WR32X1342	SHELF CANT GLASS
402	WR38X1926	REFLECTOR GLASS SHELF
403	WR72X0189	TRACK CANT SHELF
404	WR38X2031	TRIM SHELF GLASS
405	WR14X0264	TAPE FOAM
405	WR17X1382	DUCT AIR & GASKET ASM FF
407	WR32X1236	PAN UPPER
408	WR32X1237	PAN LOWER
409	WR32X1341	COVER PAN GLASS
410	WR17X2954	HANDLE VEG PAN
411	WR17X2955	HANDLE VEG PAN
414	WR14X0444	GASKET PAN COVER FRT
415	WR32X1105	COVER PAN GLASS
417	WR02X8672	COVER REAR
421	WR17X2956	SHIELD LIGHT FF
423	WR02X6347	SUPPORT SHIELD TOP
424	WR09X0499	CONTROL TEMP
425	WR02X8555	KNOB TEMP CONT
426	WR02X8425	INSUL FOAM NOZZLE
426	WR02X8514	HOUSING NOZZLE
426	WR14X0369	GASKET FOAM
427	WR23X0316	HARNESS CONT MODULE
428	WR02X4835	SHAFT DAMPER
429	WR02X8553	KNOB DAMPER
430	WR17X2209	HOUSING CONTROL
431	WR02X8722	CAP MULLION DUCT
432	WR02X8654	DUCT MULLION
434	WR02X9020	DUCT AIR RETURN ASM FF

435	STD372402	LAMP 40W 120V
435	WR02X7270	SOCKET & TERMINAL ASM
436	WR02X7736	BRACKET CONTROL MOD
442	WR02X8651	CONTROL MEAT PAN ASM
447	WR02X8263	HINGE COVER AD
448	WR13X0646	HINGE TOP ASM
450	WR02X4194	SHIM HINGE TOP
451	WR13X0614	HINGE BTM PIN & CAM ASM
452	WR02X4497	SHIM HINGE BTM.
452	WR02X7143	NUTSTRIP HINGE BTM
453	WR40X1723	BREAKER STRIP R/S FF
454	WR40X1722	BREAKER STRIP BTM FF
455	WR40X1724	BREAKER STRIP TOP FF
457	WR40X1718	BREAKER STRIP L/S FF
458	WR02X4739	NUT U
458	WR02X7033	BRACKET MULLION BTM.
458	WR02X8721	BRACKET MULLION TOP
458	WR40X1676	MULLION AD
479	WR72X0230	SLIDE ASM RH
479	WR72X0231	SLIDE ASM LH
480	WR72X0208	SLIDE ASM RH
480	WR72X0209	SLIDE ASM LH
551	WZ04X0244	SCR 8-18 AB RNDW 5/8 SS
554	WR01X1483	SCREW
560	WR01X1249	SCREW
560	WR01X1806	SCREW
578	WZ02X0503	SCR 8-32 MA PA 3/8 S
609	WR23X0193	SWITCH LIGHT WH
810	WR17X3250	WATER TANK DISP ASM
811	WR02X8659	PLUG RECESSED
812	WR17X3249	TUBE PLASTIC

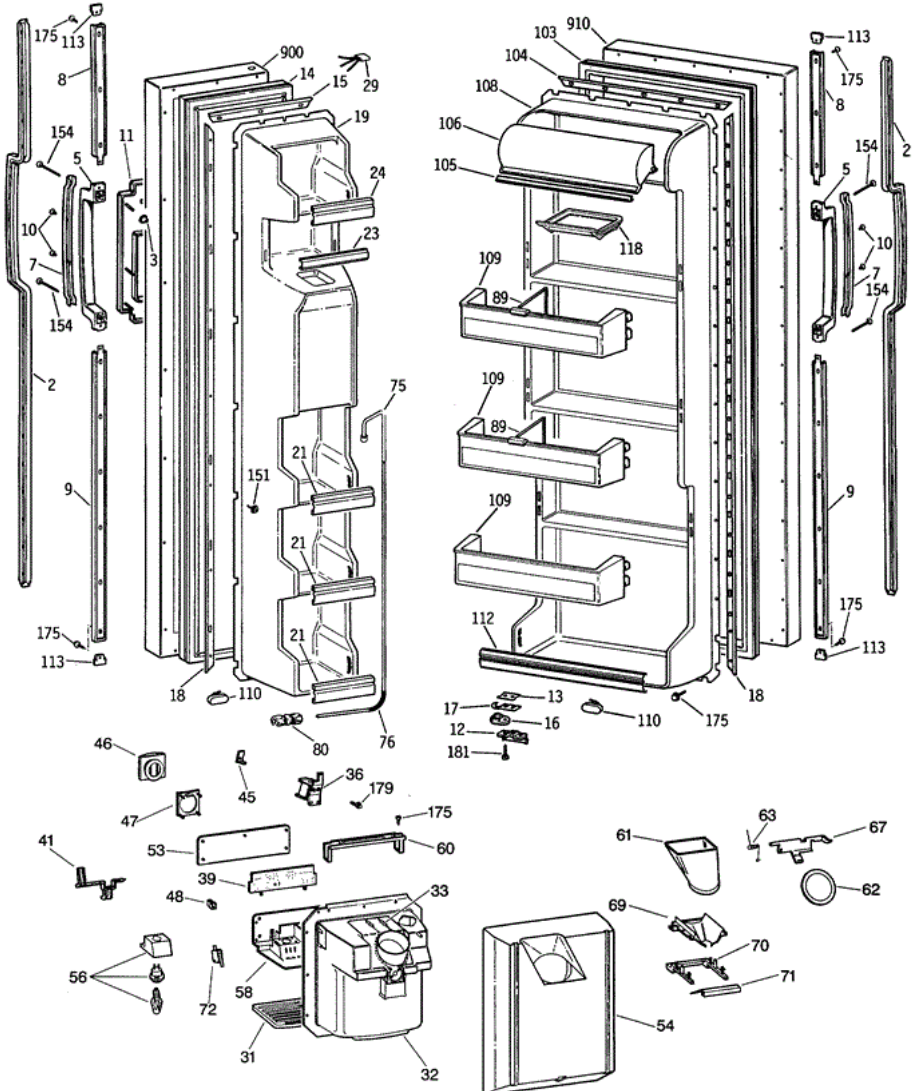


Distribuidor Autorizado

SurteRápido.com

Venta de Refacciones  
Electrodomesticas

## TFX20JRSMAD DOORS





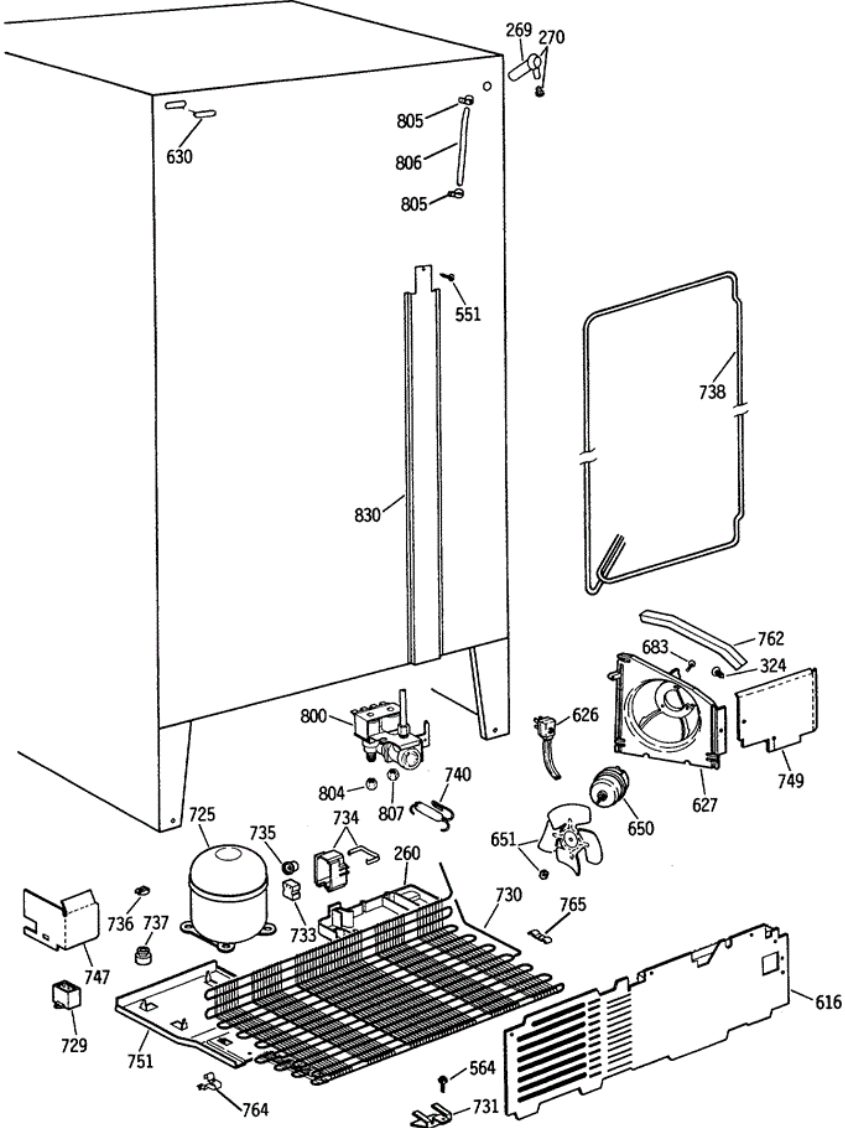
## TFX20JRSMAD DOORS

2	WR12X0622	INSERT CHANNEL HANDLE
3	WR02X8669	FASTENER TUBULAR
5	WR12X0618	HANDLE DOOR
7	WR12X0620	STIFFENER HANDLE
8	WR12X0872	CHANNEL HANDLE
9	WR12X0873	CHANNEL HANDLE
10	WR01X1766	SCREW
11	WR38X1923	TRIM ASM DISP BK
12	WR02X4537	STOP DOOR CHROME
13	WR02X4599	NUTSTRIP
13	WR02X7490	SHIM CAM & DOOR STOP
14	WR24X0527	GASKET DOOR
15	WR17X3119	RETAINER STRIP
16	WR02X4901	HINGE CAM RISER
17	WR02X7491	SHIM RISER CAM
18	WR17X1169	RETAINER STRIP
19	WR77X0600	DOOR INNER FZ
21	WR17X2953	FRONT DOOR SHELF
23	WR17X3221	FRONT DOOR SHELF
24	WR17X3222	FRONT DOOR SHELF
29	WR49X0350	HARNES DR HINGE FZ
31	WR02X8656	GRILLE RECESS CH
32	WR17X3303	RECESS DISP BK
33	WR51X0353	HEATER RECESS
36	WR62X0078	SOLENOID ASM
39	WR55X0073	MODULE TIME DELAY
41	WR17X3493	CRADLE ACTUATOR
45	WR02X8818	RETAINER RECESS DOOR
46	WR02X8702	PAD ACTUATOR BK
47	WR02X8681	SUPPORT ACTUATOR PAD BK
48	WR02X8723	KNOB RECESS DISP CH
53	WR17X3220	NAMEPLATE RECESS ASM
54	WR17X3133	INSULATION RECESS

56	STD372071	LAMP
56	WR02X8662	SOCKET LAMP
56	WR02X8725	REFLECTOR LAMP SOCKET
58	WR17X3139	SHIELD RECESS DISP BK
60	WR02X8674	COVER ELECT
61	WR17X3125	CHUTE ICE
62	WR17X3093	DOOR RECESS ASM
63	WR02X8663	SPRING RECESS DOOR
65	WZ04X0230	SCREW
67	WR17X3089	CRANK DOOR RECESS
69	WR17X3095	FUNNEL RECESS SHIELD BK
70	WR02X8943	SUPT. FUNNEL & GUARD BK
71	WR17X3478	DEFLECTOR ICE BK
72	WR23X0366	SWITCH CRADLE ACTUATOR
75	WR17X3614	GROMMET & TUBE ASM
76	WR02X8933	SLEEVE WATER LINE
80	WR02X4265	CLAMP
80	WR02X8545	NUT & UNION ASM
86	WH02X0940	SCR 8-32 TT FL 1/2 S
87	WZ04X0241	SCR 8-18 AB PA 1/2 SS
89	WR02X7971	SNUGGER MODULE
103	WR24X0528	GASKET DOOR FF
104	WR17X3120	RETAINER STRIP
105	WR38X1751	TRIM DAIRY DOOR
106	WR22X0452	DAIRY DOOR
108	WR77X0598	DOOR INNER FF
109	WR71X2354	MODULE ASM
110	WR02X8989	SUPPORT TWIST BUMPER
112	WR17X3219	FRONT DOOR SHELF
113	WR02X7871	CAP TRIM HANDLE
118	WR19X5003	BUTTER DISH
151	WR01X1554	SCR 8-18 AB IHXW 1/2 S
153	WR01X1505	SCREW
154	WR01X1765	SCREW
154	WR01X1971	SCREW
180	WR01X1966	SCREW 6-32 PL IHW 3/8
181	WZ06X0105	SCREW
276	WR01X1510	GROMMET SCR

303	WD01X1440	HOUSING TERMINAL
461	WZ06X0136	SCR 8-18 AB HXW 1/2 S
471	WR02X8349	GROMMET SCR CLOSED
494	WD01X1459	INSULATOR HSNG TERM
562	WX05X0558	SCR 8-32 G TR 5/8 S NS
584	WZ02X0509	SCR 8-32 MA PA 3/16 S
636	WH02X0765	SCR 8-32 M HX 3/8 S
676	WZ04X0263	SCR 10-16 AB HXW 1/2
689	WR01X1598	SCR 8 32 GX HXW 1/2 S DP
690	WR01X1466	SCR 8-32 T HXW 3/8 S
691	WX02X0560	SCR 8-32 D HXW 3/8 SS
692	WZ04X0416	SCR 8-18 AB HXW 3/4
753	WB01K5052	SCREW
788	WB17X5079	HOUSING SOCKET PKG 6 PIN
809	WR01X1936	FASTENER WATER TUBE
875	WH02X0930	SCREW 8-18 AB HXW 3/8
900	WR78X8495	FZ O. DOOR AD
910	WR78X8514	FF O. DOOR (AD)
1458	WB17X5061	TERMINAL BLK ASM (3 PIN)
1458	WB17X5062	TERMINAL BLK ASM (12PIN)

**TFX20JRSMAD UNIT**





## TFX20JRSMAD UNIT

260	WR32X1427	PAN WATER DISPOSAL
269	WR02X7927	TUBE WATER FILL
270	WR01X5223	CLAMP HOSE
270	WR02X8474	GROMMET WATER FILL
324	WR02X7069	PLUG BUTTON
551	WZ04X0244	SCR 8-18 AB RNDW 5/8 SS
564	WR01X1194	SCR 1/4-14 BA HX 3/4 SN
616	WR82X0344	COVER ACCESS ASM
626	WR01X5278	CLAMP CABLE
626	WR23X0108	CORD POWER ASM
627	WR17X3108	HOUSING COND FAN
630	WR02X4097	PLUG BUTTON WH
650	WR60X0187	MOTOR COND FAN
651	WR01X1515	NUT LOCKING
651	WR01X1714	WASHER, CUSHION
651	WR60X0220	BLADE COND FAN ASM
683	WR01X1825	SCREW
725	WR87X0424	HIGH SIDE ASM
729	WR62X0052	CAPACITOR
730	WR84X0188	CONDENSER ASM
731	WR02X8951	SUPPORT CONDENSER
733	WR07X0200	RELAY
734	WR02X7226	CLAMP RELAY COVER
734	WR02X7834	COVER RELAY
735	WR08X0113	OVERLOAD
736	WR02X8583	CLIP COMP MTNG
737	WR02X7238	GROMMET COMP MTG
738	WR02X7064	CLIP COND LOOP
738	WR84X0169	TUBE COND LOOP ASM
740	WR86X0086	DRYER
747	WR17X3643	BAFFLE SIDE ASM
749	WR17X3644	BAFFLE SIDE DISCH ASM
751	WR17X3645	PLATE COMP MTG

762	WR02X7493	FOAM STRIP SE ADH
764	WR02X9000	CLIP, COND MNT
765	WR01X1972	CLIP COND
800	WR57X0111	WATER VALVE ASM
804	WR02X4046	INSERT
804	WR57X0057	NUT & SLEEVE
805	WR02X3736	STR RELIEF
806	WR17X2049	TUBE PLASTIC
807	WR02X4048	NUT & SLEEVE 5/16"
830	WR17X3087	COVER WIRING CASE REAR