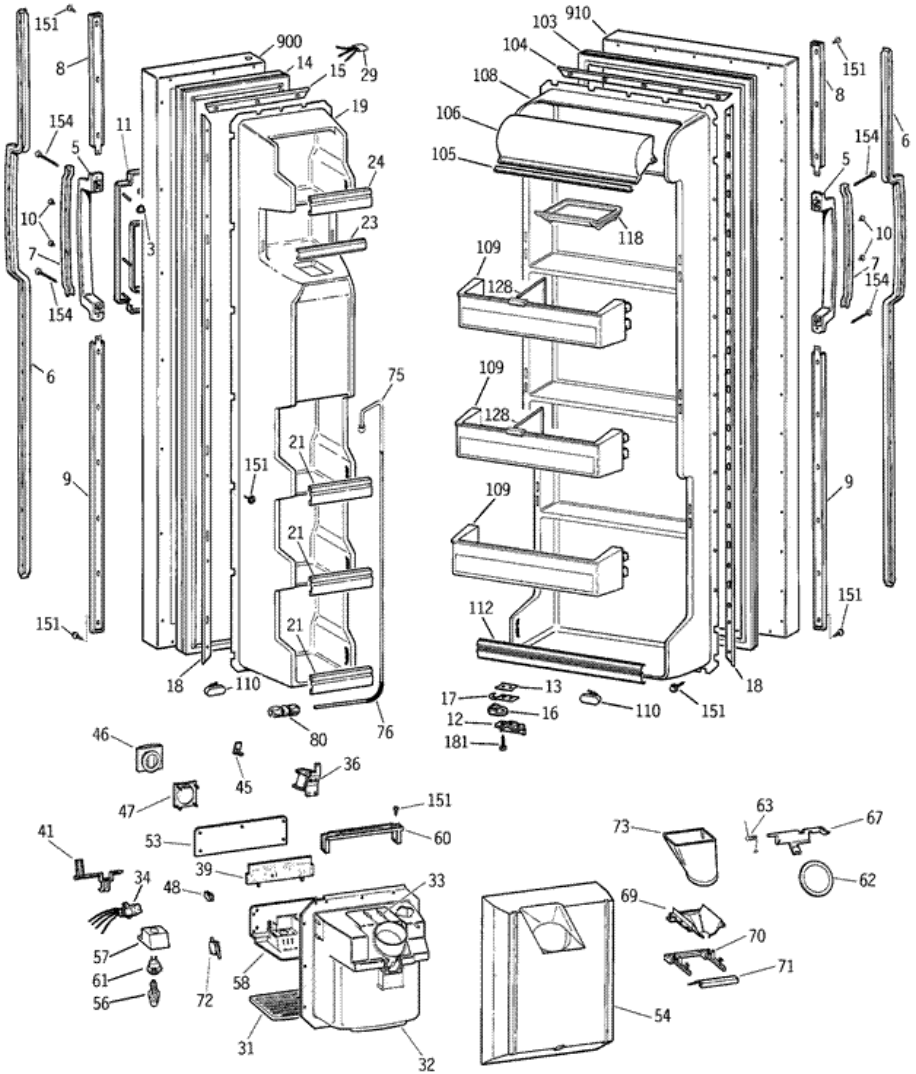


Distribuidor Autorizado

SurteRápido.com

Venta de Refacciones  
Electrodomesticas

## TFX20JRDXWH DOOR





## TFX20JRXdWH DOOR

3	WR2X8669	FASTENER TUBULAR (S/P)
5	WR12X618	HANDLE DOOR (S/P)
6	WR12X1001	INSERT HANDLE CHANNEL AD (S/P)
6	WR12X1002	INSERT HANDLE CHANNEL WH <b>DESCONTINUADO</b>
6	WR12X1000	INSERT HANDLE CHANNEL BK (S/P)
7	WR12X620	STIFFENER HANDLE (S/P)
8	WR12X1060	CHANNEL HANDLE (S/P)
9	WR12X1061	CHANNEL HANDLE (S/P)
10	WR1X2084	SCREW (S/P)
10	WR1X2111	SCREW (S/P)
11	WR38X1920	TRIM ASM DISP WH (S/P)
11	WR38X1923	TRIM ASM DISP BK (S/P)
11	WR38X1922	TRIM ASM DISP AD (S/P)
12	WR2X9302	STOP DOOR AD (S/P)
12	WR2X9300	STOP DOOR WH (S/P)
13	WR2X7490	SHIM CAM & DOOR STOP (S/P)
13	WR2X4599	NUTSTRIP (S/P)
14	WR24X527	GASKET DOOR WH (S/P)
15	WR17X3119	RETAINER STRIP (S/P)
16	WR2X4901	HINGE CAM RISER
17	WR2X7491	SHIM RISER CAM (S/P)
18	WR17X2092	RETAINER STRIP (S/P)
19	WR77X600	DOOR INNER FZ <b>DESCONTINUADO</b>
21	WR17X3946	FRONT DOOR SHELF (S/P)
23	WR17X3947	FRONT DOOR SHELF <b>DESCONTINUADO</b>
24	WR17X3948	FRONT DOOR SHELF (S/P)
29	WR23X443	HARNESS DR HINGE FZ (S/P)
31	WR17X4152	GRILLE RECESS BK (S/P)
31	WR17X4153	GRILLE RECESS WH (S/P)
31	WR17X4151	GRILLE RECESS AD (S/P)
32	WR17X10205	RECESS DISP WH
32	WR17X10203	RECESS DISP AD (S/P)
32	WR17X10517	RECESS DISP BK (S/P)

33	WR51X353	HEATER RECESS (S/P)
34	WR23X456	HARNESS LIGHT & SW. <b>DESCONTINUADO</b>
36	WR62X107	SOLENOID ASM
39	WR55X129	MODULE TIME DELAY
41	WR17X3493	CRADLE ACTUATOR (S/P)
45	WR2X8818	RETAINER RECESS DOOR (S/P)
46	WR2X8704	PAD ACTUATOR AD
47	WR2X8681	SUPPORT ACTUATOR PAD BK (S/P)
48	WR2X8723	KNOB RECESS DISP CH (S/P)
53	WR17X4000	NAMEPLATE RECESS BK (S/P)
53	WR17X3995	NAMEPLATE RECESS AD (S/P)
53	WR17X3996	NAMEPLATE RECESS WH (S/P)
54	WR17X3927	INSULATION RECESS (S/P)
57	WR2X8725	REFLECTOR LAMP SOCKET (S/P)
58	WR17X3139	SHIELD RECESS DISP BK (S/P)
58	WR17X3206	SHIELD RECESS DISP AD (S/P)
58	WR17X3178	SHIELD RECESS DISP WH (S/P)
60	WR2X8674	COVER ELECT (S/P)
61	WR2X8662	SOCKET LAMP (S/P)
62	WR17X11653	DOOR RECESS ASM (S/P)
63	WR2X8663	SPRING RECESS DOOR (S/P)
65	WZ4X230	SCREW (S/P)
67	WR17X3089	CRANK DOOR RECESS
69	WR17X3095	FUNNEL RECESS SHIELD BK (S/P)
70	WR2X8954	SUPT. FUNNEL & GUARD WH (S/P)
70	WR2X8943	SUPT. FUNNEL & GUARD BK (S/P)
71	WR17X10282	DEFLECTOR ICE BK (S/P)
72	WR23X366	SWITCH CRADLE ACTUATOR (S/P)
73	WR17X3125	CHUTE ICE <b>DESCONTINUADO</b>
75	WR17X3669	GROMMET & TUBE ASM (S/P)
76	WR2X8933	SLEEVE WATER LINE (S/P)
80	WR2X8545	NUT & UNION ASM (S/P)
87	WZ4X241	SCREW 8-18 PN 1/2 SS (S/P)
98	WR1K1	SCR 8-36 T IHW 3/8 S N (S/P)
103	WR24X528	GASKET DOOR FF (S/P)
104	WR17X3120	RETAINER STRIP (S/P)
105	WR38X2171	TRIM DAIRY DOOR (S/P)
106	WR22X438	DAIRY DOOR (S/P)

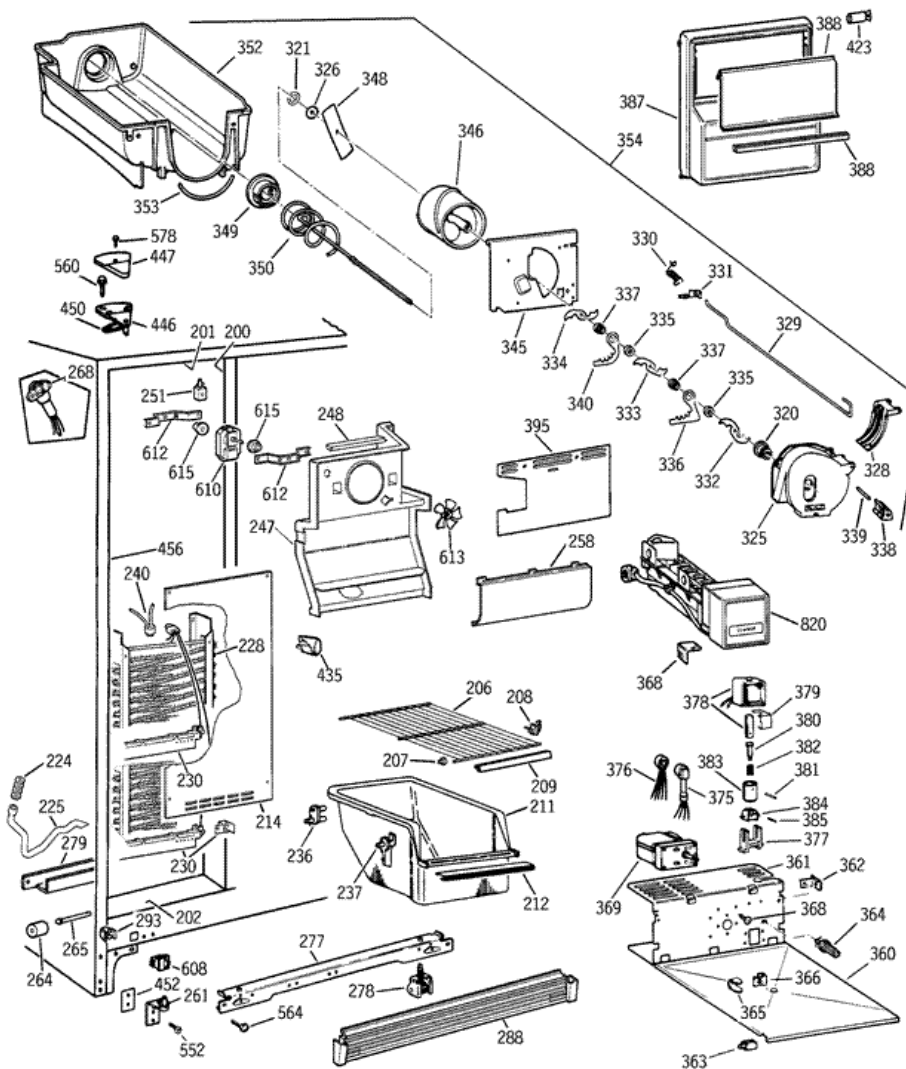
108	WR77X598	DOOR INNER FF <b>DESCONTINUADO</b>
109	WR71X2620	MODULE ASM <b>(S/P)</b>
110	WR2X8989	SUPPORT TWIST BUMPER <b>(S/P)</b>
112	WR17X10451	FRONT DOOR SHELF <b>(S/P)</b>
118	WR19X5003	BUTTER DISH <b>(S/P)</b>
128	WR2X7971	SNUGGER MODULE <b>(S/P)</b>
151	WR1X1554	SCREW <b>(S/P)</b>
153	WR1X1505	SCREW 8-18 X 9/16 <b>(S/P)</b>
154	WR1X2127	SCREW <b>(S/P)</b>
154	WR1X2085	SCREW <b>(S/P)</b>
180	WR1X1966	SCR 6-22 PL IHW 3/8 <b>(S/P)</b>
181	WZ6X105	SCREW <b>DESCONTINUADO</b>
231	WR1X1987	RIVET PLASTIC WH <b>(S/P)</b>
231	WR1X2110	PLUG FASTENER <b>(S/P)</b>
276	WR1X1326D	GROMMET SCR <b>(S/P)</b>
303	WD1X1440	HOUSING TERMINAL <b>(S/P)</b>
461	WZ6X136	SCR 8-18 AB HXW 1/2 S <b>(S/P)</b>
471	WR2X8349	GROMMET SCR CLOSED <b>(S/P)</b>
494	WD1X1459	INSULATOR HSNQ TERM <b>(S/P)</b>
584	WZ2X509	SCR 8-32 MA PA 3/16 S <b>(S/P)</b>
676	WZ4X263	SCREW 10-16 AB HXW 1/2 <b>(S/P)</b>
690	WR1X1466	SCR 8-32 T HXW 3/8 S <b>(S/P)</b>
753	WB1K5052	SCREW <b>(S/P)</b>
809	WR1X1936	FASTENER WATER TUBE <b>(S/P)</b>
820	WR30X318	IM CRESCENT
875	WH2X930	SCR 8-18 AB HXW 3/8 S <b>(S/P)</b>
900	WR78X8493	FZ O. DOOR WH <b>(S/P)</b>
900	WR78X8495	FZ O. DOOR AD <b>(S/P)</b>
910	WR78X8514	FF O. DOOR (AD) <b>DESCONTINUADO</b>
910	WR78X8513	FF O. DOOR (WH) <b>(S/P)</b>

Distribuidor Autorizado

SurteRápido.com

Venta de Refacciones  
Electrodomesticas

# TFX20JRDXWH ICE CONTAINER





## TFX20JRDXWH ICE CONTAINER

200	WR40X1741	BREAKER STRIP R/S FZ (S/P)
201	WR40X1742	BREAKER STRIP TOP FZ (S/P)
202	WR40X1743	BREAKER STRIP BTM FZ (S/P)
206	WR71X10715	SHELF FZ (S/P)
207	WR2X4676	GROMMET SHELF (S/P)
208	WR2X4674	SUPPORT SHELF
209	WR38X2151	TRIM SHELF WIRE <b>DESCONTINUADO</b>
211	WR21X180	FRZ BASKET (S/P)
212	WR38X2149	TRIM HANDLE BASKET FZ (S/P)
214	WR1X10064	CLIP EVAP COVER (S/P)
214	WR14X456	GASKET COVER EVAP (S/P)
214	WR17X3919	COVER EVAP (S/P)
224	WR2X8657	GROMMET DRAIN TUBE <b>DESCONTINUADO</b>
225	WR2X10395	TUBE DRAIN (S/P)
225	WR2X4838	CLAMP (S/P)
225	WR1X1843	CLAMP HOSE (S/P)
228	WR85X10090	LOW SIDE ASM (S/P)
230	WR51X442	HEATER HARNESS DEF ASM
230	WR2X8671	BRACKET DEF HTR (S/P)
236	WR2X4548	SUPPORT BASKET-REAR (S/P)
237	WR2X7036	SUPPORT BASKET-FRONT (S/P)
240	WR50X122	THERMOSTAT DEF (S/P)
247	WR17X3483	ORIFICE EVAP FAN (S/P)
247	WR2X4845	SUPPORT ORIFICE (S/P)
248	WR2X3899	FOAM STRIP (S/P)
251	WR2X2880	SUPPORT TWIST (S/P)
258	WR17X3484	SHIELD LIGHT FZ (S/P)
261	WR13X10020	HINGE BTM PIN & CAM ASM (S/P)
264	WR2X3594	WHEEL MOBILITY (S/P)
265	WR2X3598	COTTER PIN (S/P)
265	WR2X3595	AXLE WHEEL (S/P)
268	WR23X312	IM RECEPACLE (S/P)
277	WR17X3117	RAIL MACH MTG FRT (S/P)

278	WR2X4858	WHEEL ASM FRT (S/P)
279	WR17X10448	RAIL MACH MTG REAR (S/P)
288	WR74X215	GRILLE BASE BK (S/P)
288	WR74X258	GRILLE BASE AD <b>DESCONTINUADO</b>
288	WR74X225	GRILLE BASE WH (S/P)
293	WR2X7080	CLIP-O. CASE-END CAP (S/P)
320	WR1X1585	NUT AUGER (S/P)
321	WR1X1367	RETAINER RING E (S/P)
325	WR17X2061	HOUSING CRUSHER DISP (S/P)
326	WR1X1366	WASHER (S/P)
328	WR2X4561	SPRING ICE DEFLECTOR (S/P)
328	WR2X4143	PIN DEFLECTOR DISP (S/P)
328	WR17X2059	DEFLECTOR ICE DISP (S/P)
329	WR17X2060	WIRE ACTUATOR DISP (S/P)
330	WR2X4145	SPRING (S/P)
331	WR2X4251	RETAINER ACTUATOR WIRE (S/P)
332	WR17X1361	BLADES MOVING DISP (S/P)
333	WR17X1362	BLADES MOVING DISP (S/P)
334	WR17X1363	BLADES MOVING DISP (S/P)
335	WR2X4139	SPACER (S/P)
336	WR17X2216	BLADE STATIONARY DISP (S/P)
337	WR2X4138	SPACER CRUSHER STATIONAR (S/P)
338	WR2X4140	BLADE REST DISP (S/P)
339	WR2X4141	PIN SPIRAL (S/P)
340	WR17X2058	BLADE STATIONARY DISP (S/P)
345	WR17X2760	PLATE FRONT DISP (S/P)
346	WR17X4207	HELIX FRONT DISP (S/P)
348	WR2X7783	BLADE IN DISP (S/P)
349	WR2X4550	CUP DRIVE DISPENSER (S/P)
350	WR17X4341	AUGER HELIX DISP (S/P)
352	WR30X257	BUCKET ICE DISP (S/P)
353	WR2X7905	BUCKET SEAL DISP (S/P)
354	WR17X4310	BUCKET & AUGER ASM DISP (S/P)
360	WR2X8730	PROTECTOR SHELF <b>DESCONTINUADO</b>
360	WR71X2509	SHELF BUCKET BTM DISP <b>DESCONTINUADO</b>
361	WR71X2350	COVER MOTOR & SOLENOID (S/P)
362	WR2X8839	BRACKET SHELF (S/P)
363	WR2X8952	SUPPORT TWIST (S/P)

364	WR02X7310	SUPPORT TWIST (S/P)
365	WR02X4854	DRIVE AUGER DISPENSER (S/P)
366	WR01X1547	NUT J (S/P)
368	WR01X1788	SCREW MOTOR MOUNT (S/P)
368	WR02X8459	BRACKET IM MTG (S/P)
369	WR60X0202	MOTOR CRUSHER DISP
375	WR23X0194	HARNESS MOTOR DISP (S/P)
376	WR23X0189	RECEPTACLE-HARNESS <b>DESCONTINUADO</b>
377	WR02X7309	SADDLE SOLENOID (S/P)
378	WR62X0058	SOLENOID & ARM ASM
379	WR17X1063	SHROUD SOLENOID (S/P)
380	WR17X1064	PLUNGER SOLENOID (S/P)
381	WR02X4257	PIN SPIRAL (S/P)
382	WR02X4258	SPRING SOLENOID LINKAGE (S/P)
383	WR17X1065	COLLAR SOLENOID DISP (S/P)
384	WR17X1066	STIRRUP SOLENOID DISP (S/P)
385	WR02X4259	PIN SPIRAL (S/P)
387	WR17X10339	COVER BUCKET ASM (S/P)
388	WR17X10273	DOOR ICE STORAGE DISP (S/P)
388	WR38X1497	TRIM ICE DOOR (S/P)
395	WR17X2904	SHIELD FAN <b>DESCONTINUADO</b>
423	WR2X6347	SUPPORT SHIELD TOP (S/P)
435	WR02X9391	SOCKET & TERM BK
446	WR13X647	HINGE TOP ASM (S/P)
447	WR02X8262	HINGE COVER WH (S/P)
447	WR02X8263	HINGE COVER AD <b>DESCONTINUADO</b>
450	WR02X4194	SHIM HINGE TOP (S/P)
452	WR2X9443	SHIM HINGE (S/P)
452	WR02X7143	NUTSTRIP HINGE BTM (S/P)
452	WR02X9442	SHIM HINGE (S/P)
456	WR40X1747	BREAKER STRIP L/S FZ (S/P)
552	WR01X2078	SCREW (S/P)
560	WR01X2140	SCREW (S/P)
564	WR01X1194	SCREW (S/P)
578	WZ02X0503	SCREW (S/P)
608	WR23X427	SWITCH LIGHT WH (S/P)
610	MAR830	MOTOR EVAP FAN
612	WR02X8549	BRACKET EVAP FAN (S/P)



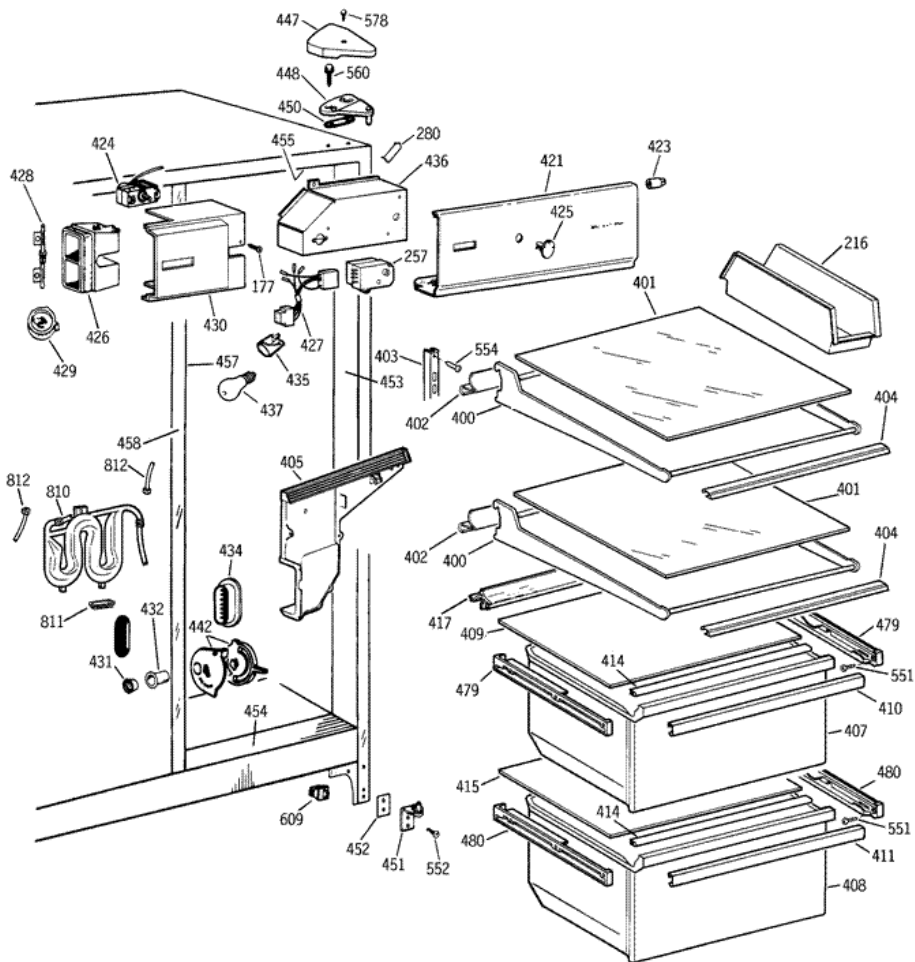
613	WR60X114	FAN BLADE EVAP MOTOR
615	WR02X7391	GROMMET <b>(S/P)</b>
820	WR30X10012	IM CRESCENT

Distribuidor Autorizado

SurteRápido.com

Venta de Refacciones  
Electrodomesticas

## TFX20JRDXWH SHELVES





**TFX20JRDXWH SHELVES**

177	WR1X5034	SCREW (S/P)
216	WR32X1575	BUCKET UTILITY CLR (S/P)
257	WR9X520	CONTROL DEFROST (S/P)
280	WR2X8519	CAP CORNER OC (AD) (S/P)
280	WR2X8518	CAP CORNER OC (WH) <b>DESCONTINUADO</b>
400	WR71X2290	SHELF CANT (S/P)
401	WR32X1515	SHELF CANT GLASS (S/P)
402	WR38X2170	REFLECTOR GLASS SHELF (S/P)
403	WR72X255	TRACK CANT SHELF (S/P)
404	WR38X2172	TRIM SHELF GLASS (S/P)
405	WR17X1382	DUCT AIR & GASKET ASM FF (S/P)
405	WR14X264	TAPE FOAM <b>DESCONTINUADO</b>
407	WR32X1178	PAN UPPER (S/P)
408	WR32X1177	PAN LOWER (S/P)
409	WR32X1514	COVER PAN GLASS (S/P)
410	WR17X3992	HANDLE VEG PAN (S/P)
411	WR17X3993	HANDLE VEG PAN <b>DESCONTINUADO</b>
414	WR14X451	GASKET PAN COVER FRT (S/P)
415	WR32X1105	COVER PAN GLASS (S/P)
417	WR2X8672	COVER REAR <b>DESCONTINUADO</b>
421	WR17X3994	SHIELD LIGHT FF (S/P)
423	WR2X6347	SUPPORT SHIELD TOP (S/P)
424	WR9X499	CONTROL TEMP
425	WR2X9216	KNOB TEMP CONTROL (S/P)
426	WR2X8514	HOUSING NOZZLE (S/P)
426	WR2X8019	INSUL FOAM NOZZLE <b>DESCONTINUADO</b>
427	WR23X0316	HARNES CONT MODULE (S/P)
428	WR2X4835	SHAFT DAMPER (S/P)
429	WR2X9321	KNOB DAMPER (S/P)
430	WR17X2209	HOUSING CONTROL (S/P)
431	WR2X9299	CAP MULLION DUCT (S/P)
432	WR2X8654	DUCT MULLION (S/P)
434	WR2X9431	DUCT AIR RETURN ASM FF (S/P)

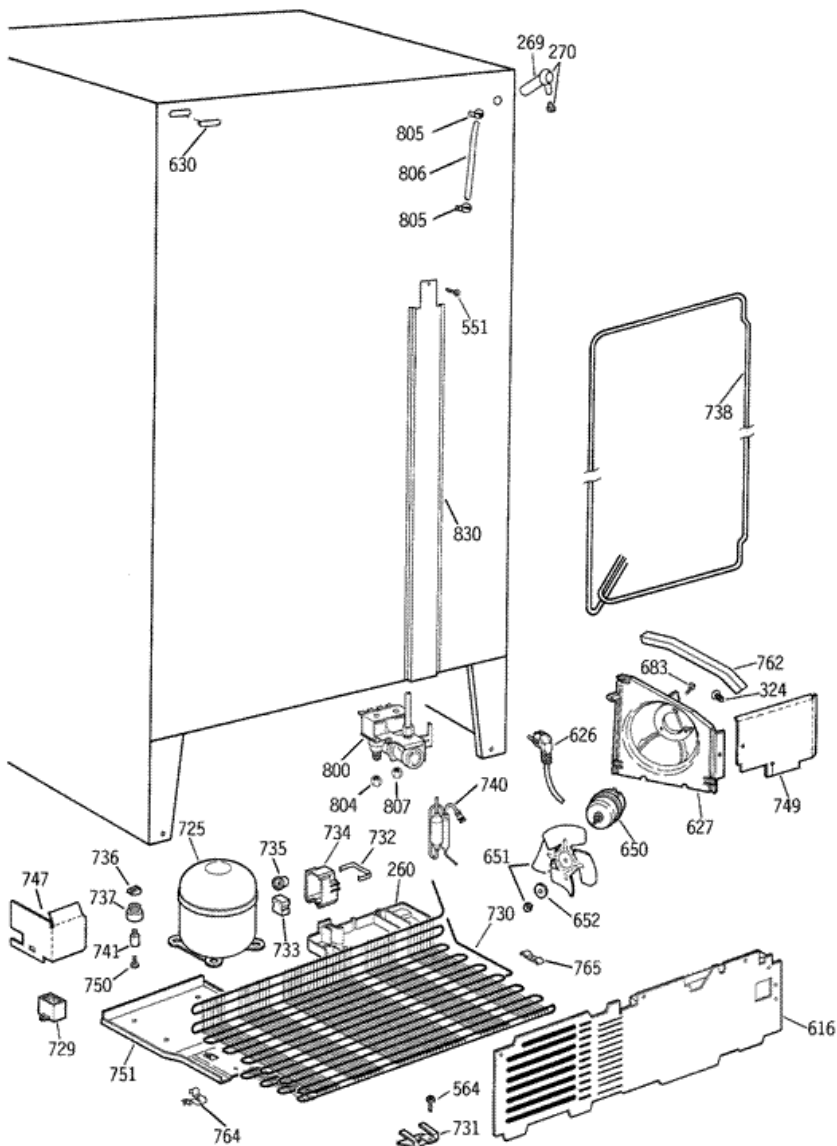
435	WR2X9391	SOCKET & TERM BK
436	WR2X7736	BRACKET CONTROL MOD (S/P)
437	60A	LAMP 60W (S/P)
442	WR2X10042	CONTROL MEAT PAN ASM (S/P)
447	WR2X8263	HINGE COVER AD <b>DESCONTINUADO</b>
447	WR2X8262	HINGE COVER WH (S/P)
448	WR13X646	HINGE TOP ASM (S/P)
450	WR2X4194	SHIM HINGE TOP (S/P)
451	WR13X10020	HINGE BTM PIN & CAM ASM (S/P)
452	WR2X9442	SHIM HINGE (S/P)
452	WR2X7143	NUTSTRIP HINGE BTM (S/P)
452	WR2X9443	SHIM HINGE (S/P)
453	WR40X1757	BREAKER STRIP R/S FF (S/P)
454	WR40X1758	BREAKER STRIP BTM FF (S/P)
455	WR40X1759	BREAKER STRIP TOP FF (S/P)
457	WR40X1748	BREAKER STRIP L/S FF (S/P)
458	WR40X1749	MULLION WH (S/P)
458	WR2X8721	BRACKET MULLION TOP (S/P)
458	WR40X1751	MULLION AD (S/P)
458	WR2X7033	BRACKET MULLION BTM. (S/P)
458	WR2X4739	NUT U <b>DESCONTINUADO</b>
479	WR72X206	SLIDE ASM RH (S/P)
479	WR72X207	SLIDE ASM LH (S/P)
480	WR72X209	SLIDE ASM LH (S/P)
480	WR72X208	SLIDE ASM RH (S/P)
551	WZ4X244	SCR 8-18 RNDW 5/8SS (S/P)
552	WR1X2078	SCREW (S/P)
554	WR1X2141	SCREW (S/P)
560	WR1X2140	SCREW (S/P)
578	WZ2X503	SCREW (S/P)
609	WR23X10143	SWITCH LIGHT WH (S/P)
810	WR17X3105	WATER TANK DISP ASM (S/P)
811	WR2X8659	PLUG RECESSED (S/P)
812	WR17X2891	TUBE PLASTIC (S/P)

Distribuidor Autorizado

**SurteRápido.com**

Venta de Refacciones  
Electrodomesticas

## TFX20JRXDWH COMPRESSOR





## TFX20JRXDWH COMPRESSOR

260	WR32X1427	PAN WATER DISPOSAL (S/P)
269	WR2X7927	TUBE WATER FILL (S/P)
270	WR2X8474	GROMMET WATER FILL (S/P)
270	WR2X4754	CLAMP HOSE (S/P)
324	WR2X7069	PLUG BUTTON LG WH (S/P)
551	WZ4X244	SCR 8-18 RNDW 5/8SS (S/P)
564	WR1X1194	SCREW (S/P)
616	WR82X393	COVER ACCESS ASM (S/P)
626	WR23X10300	POWER CORD ASM (S/P)
627	WR1X5278	CLAMP CABLE (S/P)
627	WR17X3952	HOUSING COND FAN (S/P)
630	WR2X4097	PLUG BUTTON WH (S/P)
650	WR60X187	MOTOR COND FAN (S/P)
651	WR1X1515	NUT LOCKING (S/P)
651	WR60X220	BLADE COND FAN ASM <b>DESCONTINUADO</b>
652	WR1X1714	WASHER (S/P)
683	WR1X1825	SCREW 8-32 X 3/8 <b>DESCONTINUADO</b>
725	WR87X10211	HIGH SIDE ASM (S/P)
729	WR62X79	CAPACITOR (S/P)
730	WR84X188	CONDENSER ASM (S/P)
731	WR1X2014	PAD FELT (S/P)
731	WR2X8951	SUPPORT CONDENSER (S/P)
732	WR2X7226	CLAMP-COVER <b>DESCONTINUADO</b>
733	WR7X10055	RELAY (PTCR) (S/P)
734	WR2X7834	COVER RELAY (S/P)
735	WR8X170	OVERLOAD (S/P)
736	WR1X2167	CLIP COMP MTG (S/P)
737	WR2X7238	GROMMET COMP MTG (S/P)
738	WR84X169	TUBE COND LOOP ASM (S/P)
738	WR2X7064	CLIP COND LOOP (S/P)
740	WR86X96	DRYER & FILTER ASM (S/P)
741	WR1X1779	STUD MTG COMPR (S/P)
747	WR17X3643	BAFFLE SIDE ASM (S/P)

749	WR17X3988	BAFFLE SIDE DISCH ASM (S/P)
750	WR1X1786	SCREW (S/P)
751	WR17X4276	PLATE COMP MTG ASM (S/P)
762	WR2X7493	FOAM STRIP SE ADH <b>DESCONTINUADO</b>
764	WR2X9000	CLIP COND (S/P)
765	WR1X1985	CLIP COND (S/P)
800	WR57X119	WATER VALVE ASM
804	WR57X57	NUT & SLEEVE 1/4 (S/P)
805	WR2X3736	CLAMP TUBE (S/P)
806	WR17X2049	WATER LINE (S/P)
807	WR2X4048	NUT & SLEEVE 5/16" (S/P)
807	WR2X4046	INSERT 5/16 (S/P)
830	WR17X3732	COVER WIRING CASE WH (S/P)