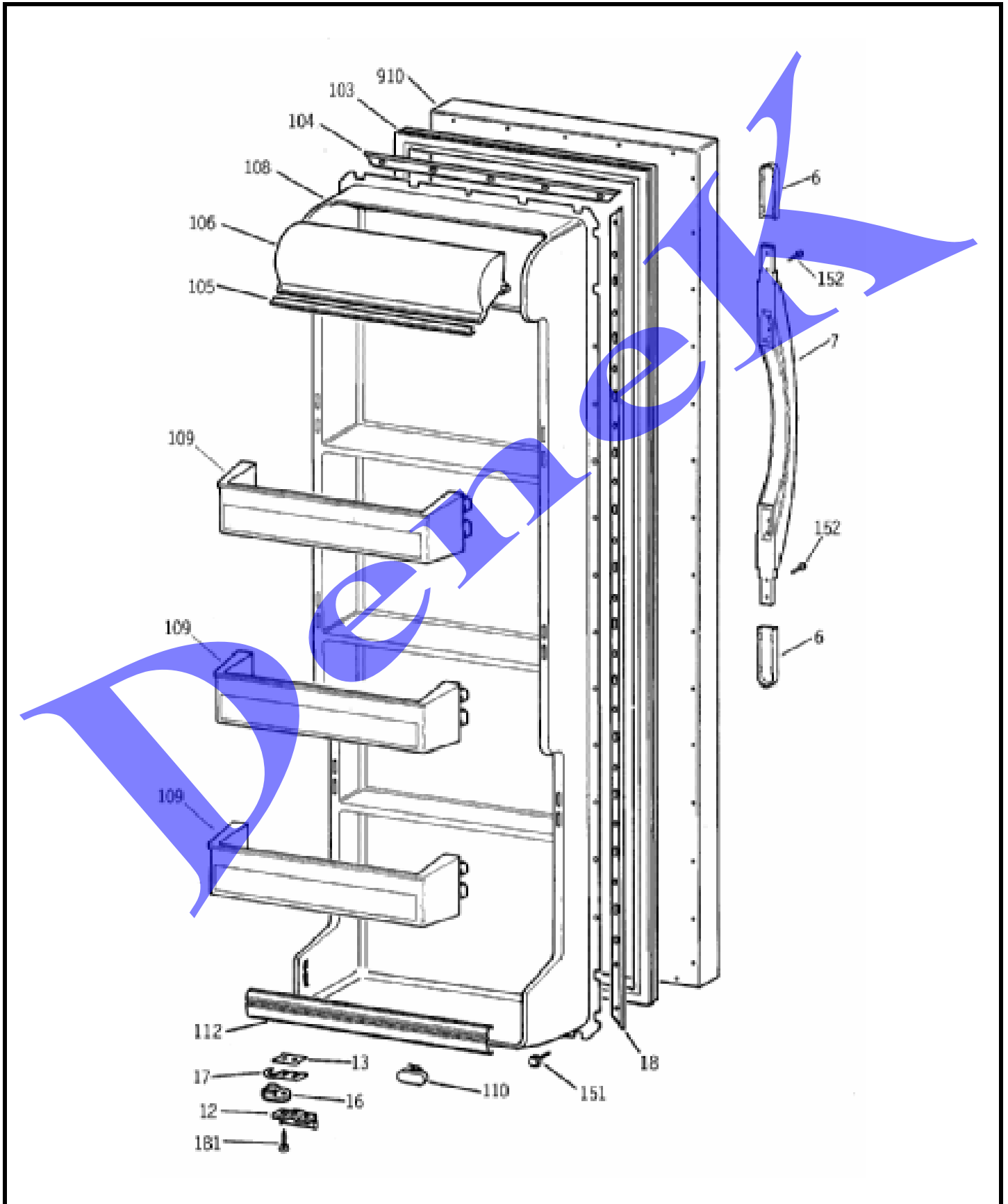


GENERAL ELECTRIC TFX22GRBAWW

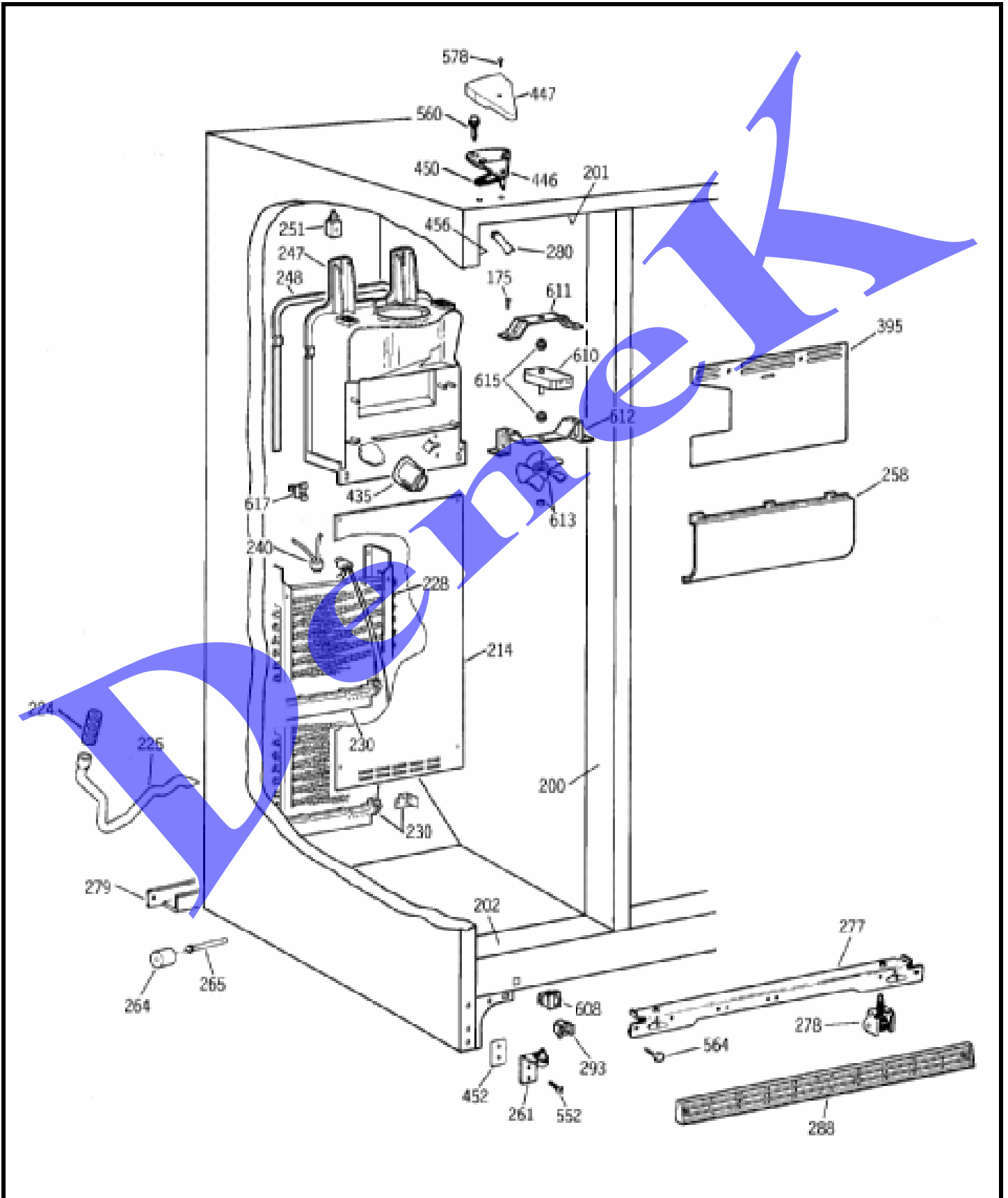
1033801

1	49-6959	PM GUIDE OWNERS EFS
1	31-51187	PM MINI MANUAL WIRING
3	WR02X8669	FASTENER TUBULAR
6	WR12X10207	TAIL HANDLE SXS WH
7	WR12X10103	HANDLE SXS ASM WH
11	WR38X10130	TRIM RECESS DISP WH
14	WR24X0527	GASKET DOOR FZ WH
15	WR17X3119	RETAINER STRIP
17	WR02X7491	SHIM RISER CAM
17	WR02X9147	SHIM RISER CAM
18	WR17X1169	RETAINER STRIP
19	WR77X0600	DOOR INNER FZ
21	WR17X4029	FRONT DOOR SHELF
23	WR17X4030	FRONT DOOR SHELF
24	WR17X4031	FRONT DOOR SHELF
29	WR23X0443	HARNESS DR HINGE FZ
29	WR23X0457	HARNESS LIGHT SW.
31	WR17X4153	GRILLE RECESS WH
32	WR17X10205	RECESS DISP WH
33	WR51X0353	HEATER RECESS
36	WR62X0078	SOLENOID ASM
39	WR55X0130	MODULE TIME DELAY
41	WR17X3493	CRADLE ACTUATOR
44	WR02X8705	STOP SELECTOR SW WH
45	WR02X8818	RETAINER RECESS DOOR
46	WR02X8704	PAD ACTUATOR WH
47	WR02X8681	SUPPORT ACTUATOR PAD BK
48	WR02X8696	KNOB RECESS DISP WH
53	WR17X10329	NAMEPLATE RECESS ASM
54	WR17X3927	INSULATION RECESS
56	WR02X8679	PLUG LAMPHOLDER
58	WR17X3178	SHIELD RECESS DISP WH
60	WR02X8674	COVER ELECT
62	WR17X3093	DOOR RECESS ASM
63	WR02X8663	SPRING RECESS DOOR
65	WZ04X0230	SCREW
67	WR17X3089	CRANK DOOR RECESS
69	WR17X3095	FUNNEL RECESS SHIELD BK
70	WR02X8954	SUPT. FUNNEL GUARD WH
71	WR17X10282	DEFLECTOR ICE BK
72	WR23X0366	SWITCH CRADLE ACTUATOR
73	WR17X3125	CHUTE ICE
75	WR17X10277	GROMMET & TUBE ASM
76	WR02X8933	SLEEVE WATER LINE
80	WR02X10067	CONNECTOR WATER LINE
87	WZ04X0241	SCR 8-18 AB PA 1/2 SS
98	WR01K0001	SCREW 8-36 T IHW 3/8 SN

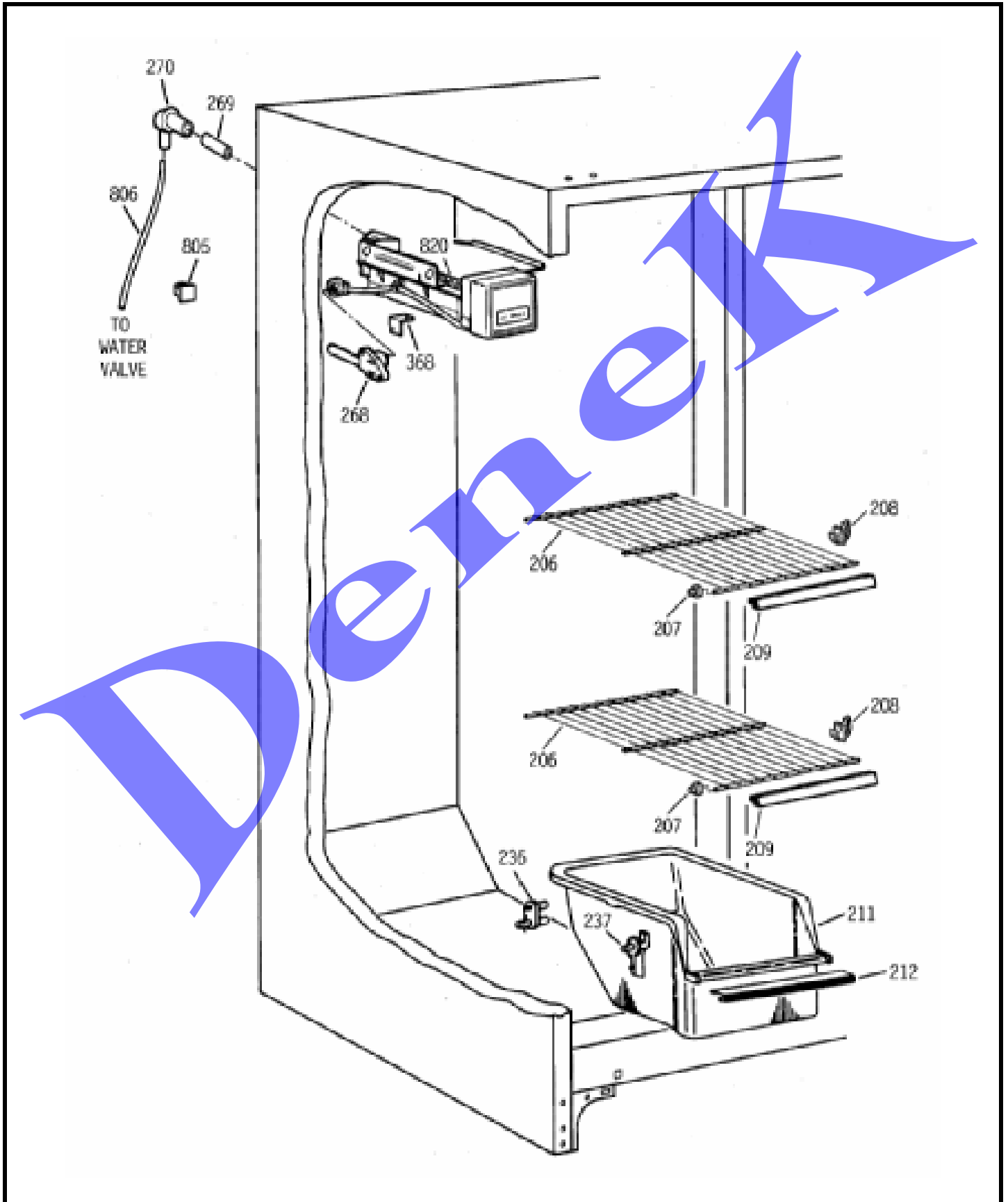
110	WR02X8989	SUPPORT TWIST BUMPER
134	WR01X10019	SCR 6-10 PL FLP 1/2 S
151	WR01X1554	SCR 8-18 AB IHXW 1/2 S
152	WR01X10038	SCR 8-18 AB FLTR 5/8 S
153	WR01X1505	SCREW
154	WR01X2116	SCR 10-18 PL PNT 1 1/8 S
180	WR01X1966	SCREW 6-32 PL IHW 3/8
231	WR01X1987	RIVET PLASTIC WH
231	WR01X2110	PLUG FASTENER
276	WR01X1510	GROMMET SCR
303	WD01X1440	HOUSING TERMINAL
461	WZ06X0136	SCR 8-18 AB HXW 1/2 S
473	WR01X2048	BEARING SLIDE
584	WZ02X0509	UNKNOWN
676	WZ04X0263	SCR 10-16 AB HXW 1/2
690	WR01X1466	SCR 8-32 T HXW 3/8 S
753	WB01K5052	SCREW
782	WB17X5060	TERMINAL BLK ASM (2 PIN)
809	WR01X1936	FASTENER WATER TUBE
867	WR29X0153	BRNG INLET(FILL CUP)
869	WR29X0157	THERMOSTAT
871	WR29X0158	CLAMP THERMOSTAT
875	WH02X0930	SCREW 8-18 AB HXW 3/8
900	WR78X10163	DOOR FOAM ASM FZ WH
940	WR02X10124	BRACKET HANDLE
1458	WB17X5062	TERMINAL BLK ASM (12PIN)



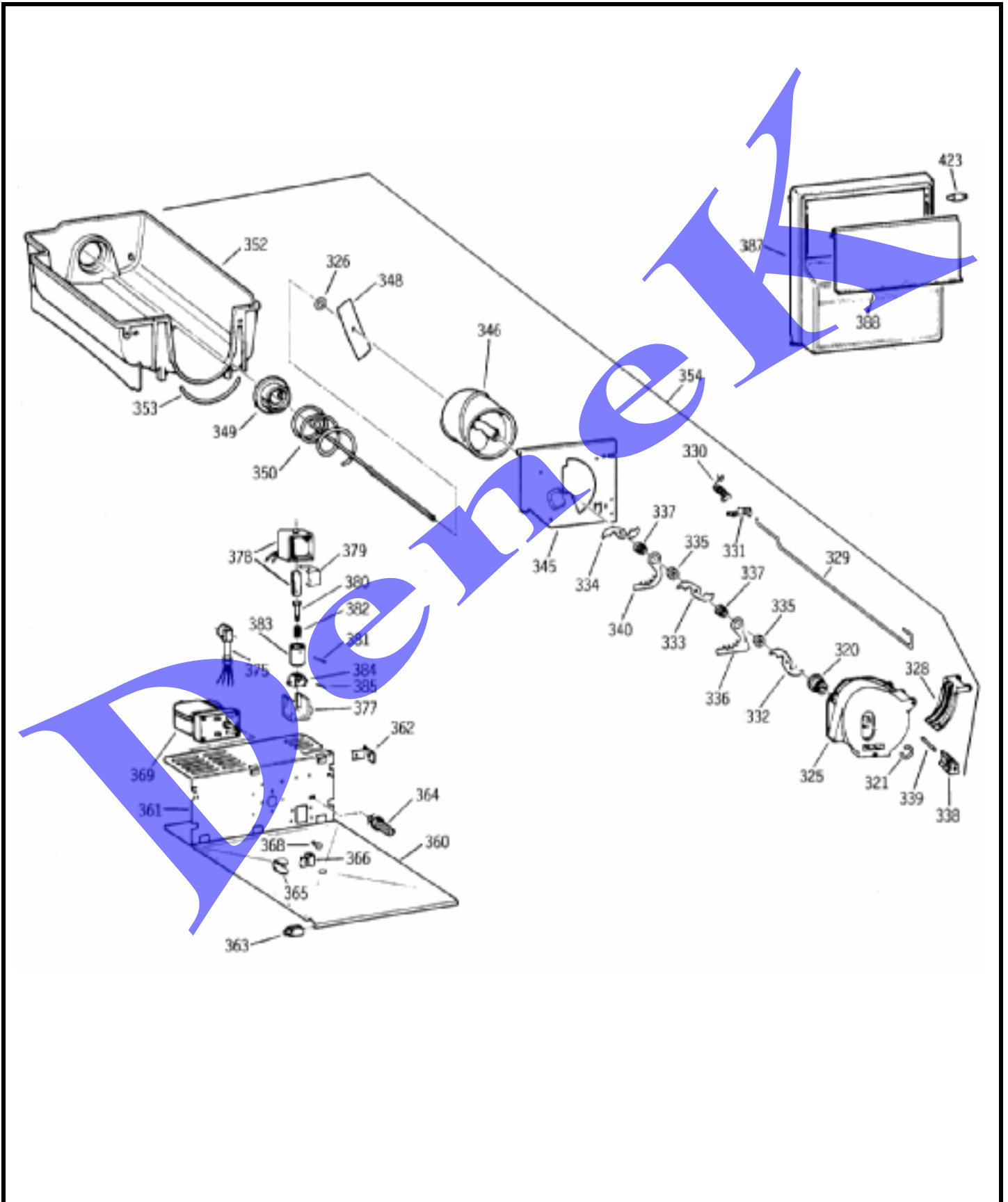
6	WR12X10207	TAIL HANDLE SXS WH
7	WR12X10103	HANDLE SXS ASM WH
12	WR02X9300	STOP DOOR WH
13	WR02X7490	SHIM CAM & DOOR STOP
16	WR02X4901	HINGE CAM RISER
17	WR02X7491	SHIM RISER CAM
17	WR02X9147	SHIM RISER CAM
18	WR17X1169	RETAINER STRIP
103	WR24X0529	GASKET DOOR FF WH
104	WR17X1168	RETAINER STRIP
105	WR38X2147	TRIM DAIRY DOOR
106	WR22X0383	DOOR DAIRY
108	WR77X0599	DOOR INNER FF
109	WR71X10132	MODULE ASM
110	WR02X8989	SUPPORT TWIST BUMPER
112	WR17X4032	FRONT DOOR SHELF
151	WR01X1554	SCR 8-18 AB IHXW 1/2 S
152	WR01X10038	SCR 8-18 AB FLTR 5/8 S
181	WZ06X0105	SCREW
910	WR78X10164	DOOR FOAM ASM FF WH



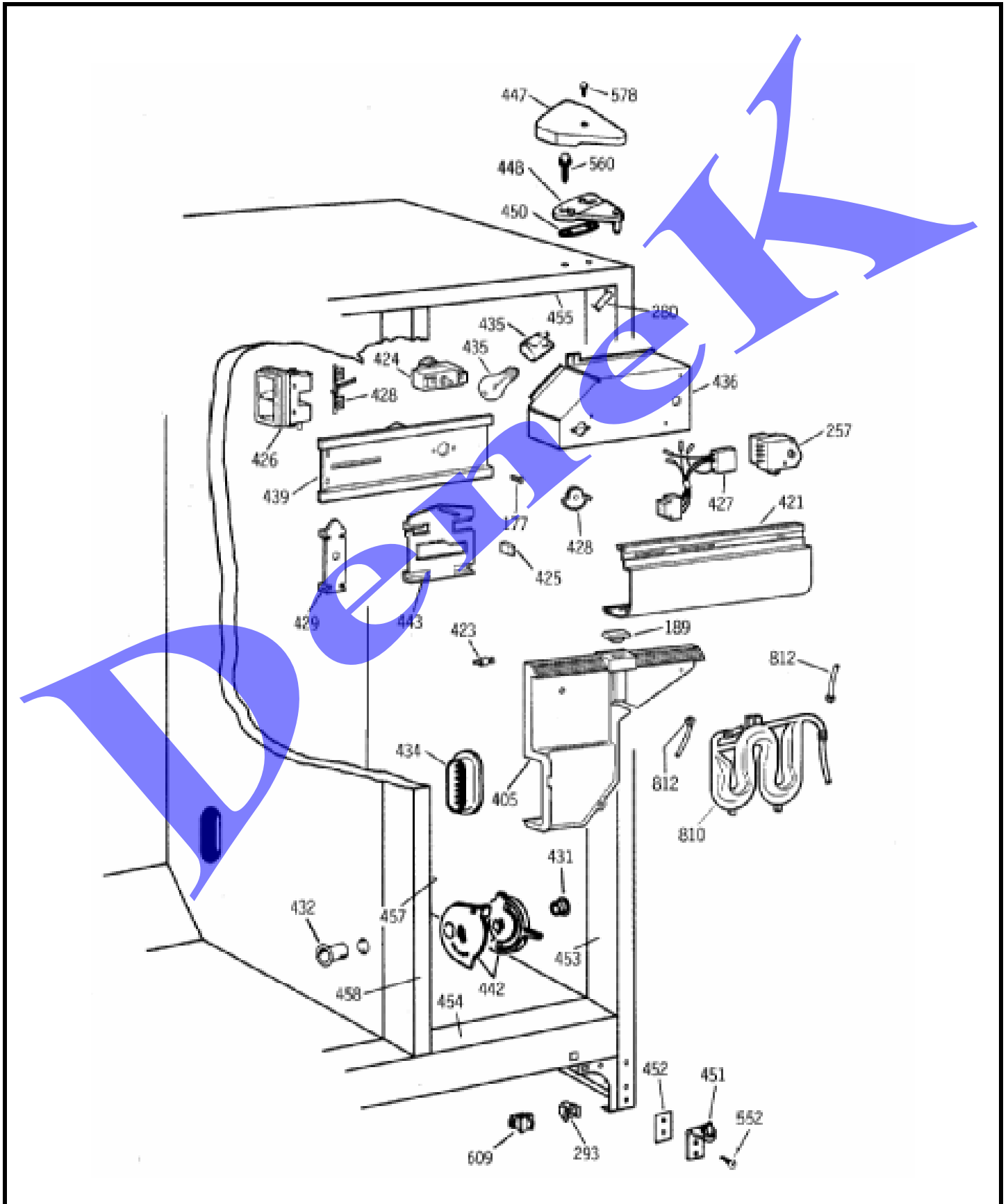
175	WR01X10035	SCR 8-18 AB IHW 5/8 S
200	WR40X1741	BREAKER STRIP R/S FZ
201	WR40X1742	BREAKER STRIP TOP FZ
202	WR40X1743	BREAKER STRIP BTM FZ
214	WR01X2128	CLIP EVAP COVER
214	WR17X3919	COVER EVAP
214	WR14X0455	GASKET COVER EVAP
224	WR02X8657	GROMMET DRAIN TUBE
225	WR01X5042	CLAMP HOSE
225	WR02X8293	TUBE DRAIN
228	WR85X0282	LOW SIDE ASM
230	WR51X0463	HEATER HARNESS DEF ASM
230	WR02X8671	BRACKET DEF HTR
240	WR50X0122	THERMOSTAT DEF
247	WR17X10226	ORIFICE EVAP FAN
248	WR14X0493	FOAM STRIP
251	WR02X2880	SUPPORT TWIST
258	WR17X3484	SHIELD LIGHT FZ
261	WR13X0615	HINGE BTM PIN & CAM ASM
264	WR02X3594	WHEEL MOBILITY
265	WR02X3598	COTTER PIN
265	WR02X3595	AXLE WHEEL
265	WR02X4742	AXLE WHEEL
277	WR17X3136	RAIL MACH MTG FRT
278	WR02X4858	WHEEL ASM FRT
279	WR17X10057	RAIL MACH MTG REAR
280	WR02X8518	CAP CORNER OC (WH)
288	WR74X0217	GRILLE BASE WH
293	WR02X7080	CLIP-O. CASE-END CAP
395	WR17X10220	SHIELD FAN
435	WR02X9391	SOCKET & TERMINAL ASM
435	STD372402	LAMP 40W 120V
446	WR13X0647	HINGE TOP ASM
447	WR02X8262	HINGE COVER WH
450	WR02X4194	SHIM HINGE TOP
452	WR02X9442	SHIM HINGE
456	WR40X1747	BREAKER STRIP L/S FZ
552	WR01X10034	SCR 12-24 TT IH .811 S
560	WR01X2140	SCREW
564	WR01X1194	SCREW
578	WZ02X0464	SCREW 8-32 X 3/8
608	WR23X0368	SWITCH LIGHT WH
610	WR60X10007	MOTOR EVAP FAN
611	WR02X10100	BRACKET EVAP FAN
612	WR02X10101	BRACKET EVAP FAN
613	WR60X10011	BLADE EVAP FAN ASM
613	WR02X3198	RING EVAP. FAN COMPRESS
615	WR02X10098	GROMMET COND FAN
617	WR02X8349	GROMMET SCR CLOSED



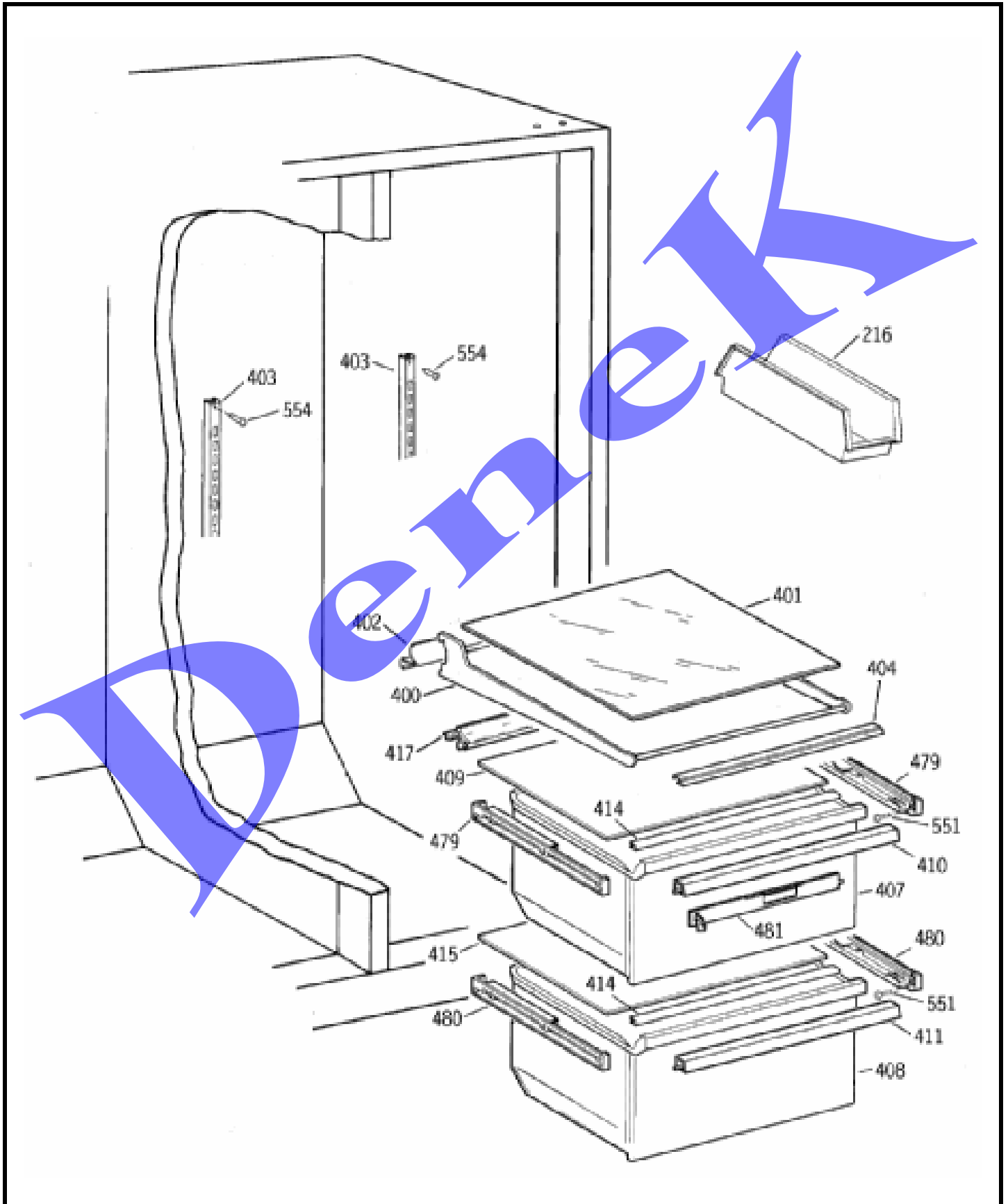
206	WR71X1888	SHELF FZ
207	WR02X4676	GROMMET SHELF
208	WR02X4674	SUPPORT SHELF
209	WR38X2151	TRIM SHELF WIRE
211	WR21X0183	FRZ BASKET
212	WR38X2149	TRIM HANDLE BASKET FZ
236	WR02X4548	SUPPORT BASKET-REAR
237	WR02X7036	SUPPORT BASKET-FRONT
268	WR23X0312	IM RECEPACLE
269	WR02X7927	TUBE WATER FILL
270	WR02X9153	GROMMET WATER FILL
270	WR01X5223	CLAMP HOSE
368	WR02X8459	BRACKET IM MTG
368	WR01X1788	SCR MTR MNT 8-18 TPT 1/4
805	WR02X3736	STR RELIEF
806	WR17X2049	WATER LINE
820	WR30X0327	IM CRESCENT



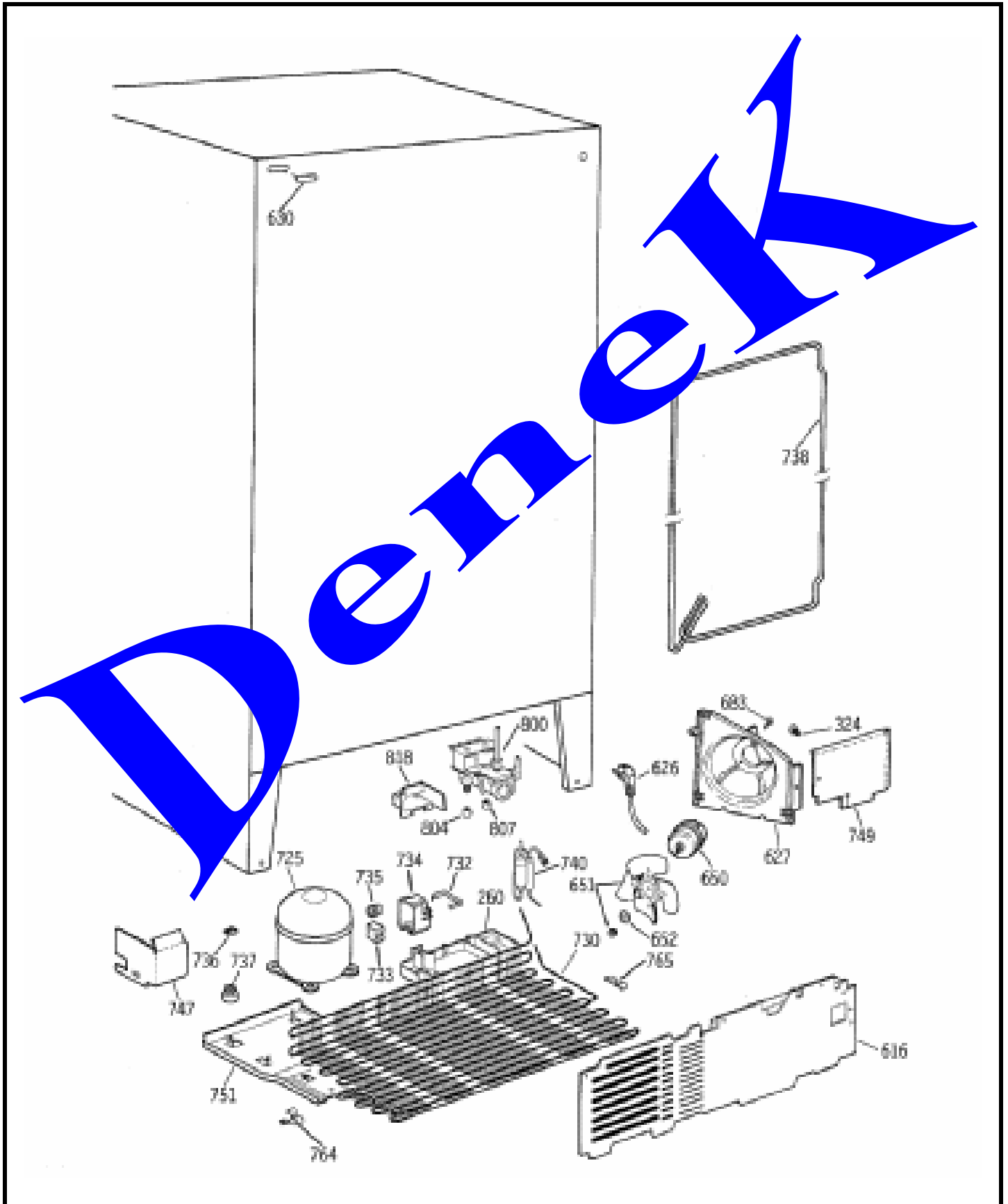
320	WR01X1585	NUT AUGER
321	WR01X1367	RETAINER RING E
325	WR17X2061	HOUSING CRUSHER DISP
326	WR01X1366	WASHER
328	WR02X4561	SPRING ICE DEFLECTOR
328	WR17X2059	DEFLECTOR ICE DISP
328	WR02X4143	PIN DEFLECTOR DISP
329	WR17X2060	WIRE ACTUATOR DISP
330	WR02X4145	SPRING
331	WR02X4251	RETAINER ACTUATOR WIRE
332	WR17X1361	BLADES MOVING DISP
333	WR17X1362	BLADES MOVING DISP
334	WR17X1363	BLADES MOVING DISP
335	WR02X4139	SPACER CRUSHER MIDDLE
336	WR17X1009	BLADE STATIONARY DISP
337	WR02X4138	SPACER CRUSHER STATIONAR
338	WR02X4140	BLADE REST DISP
339	WR02X4141	PIN SPIRAL
340	WR17X2058	BLADE STATIONARY DISP
345	WR17X2760	PLATE FRONT DISP
346	WR17X4207	HELIX FRONT DISP
348	WR02X7351	BLADE IN DISP
349	WR02X4550	CUP DRIVE DISPENSER
350	WR17X4309	AUGER HELIX DISP (1 PC)
352	WR30X0257	BUCKET ICE DISP
353	WR02X7905	BUCKET SEAL DISP
354	WR17X4310	BUCKET & AUGER ASM DISP
360	WR02X8730	PROTECTOR SHELF
360	WR71X2444	SHELF BUCKET BTM DISP
361	WR17X10308	COVER MOTOR & SOLENOID
362	WR02X8839	BRACKET SHELF
363	WR02X8952	SUPPORT TWIST
364	WR02X7310	SUPPORT TWIST
365	WR02X4854	DRIVE AUGER DISPENSER
366	WR01X1547	NUT J
368	WR02X8459	BRACKET IM MTG
368	WR01X1788	SCR MTR MNT 8-18 TPT 1/4
369	WR60X0202	MOTOR CRUSHER DISP
375	WR23X10059	HARNESS MOTOR DISP
377	WR02X7309	SADDLE SOLENOID
378	WR62X0058	SOLENOID & ARM ASM
379	WR17X1063	SHROUD SOLENOID
380	WR17X1064	PLUNGER SOLENOID
381	WR02X4257	PIN SPIRAL
382	WR02X4258	SPRING SOLENOID LINKAGE
383	WR17X1065	COLLAR SOLENOID DISP
384	WR17X1066	STIRRUP SOLENOID DISP
385	WR02X4259	PIN SPIRAL
387	WR17X10328	COVER BUCKET ASM
388	WR17X10273	DOOR ICE STORAGE DISP



177	WR01X5034	SCREW 8-18 A HX 1/2 S
189	WR01X2115	PLUG BUTTON
257	WR09X0489	CONTROL DEFROST
280	WR02X8518	CAP CORNER OC (WH)
293	WR02X7080	CLIP-O. CASE-END CAP
405	WR17X3890	DUCT AIR RETURN FF
421	WR17X4124	SHIELD LIGHT FF
423	WR02X10050	GROMMET SUPPT LT SHIELD
424	WR09X0570	CONTROL TEMP
425	WR02X8398	KNOB CONTROL
426	WR02X8514	HOUSING NOZZLE
426	WR02X8425	INSUL FOAM NOZZLE
427	WR23X0316	HARNES CONT MODULE
428	WR02X8569	CONTROL DAMPER
428	WR02X8513	GEAR CONTROL TEMP
429	WR02X8516	SLIDE DAMPER
431	WR02X9299	CAP MULLION DUCT
432	WR02X8654	DUCT MULLION
434	WR02X9431	DUCT AIR RETURN ASM FF
435	STD372402	LAMP 40W 120V
435	WR02X9391	SOCKET & TERMINAL ASM
436	WR02X7736	BRACKET CONTROL MOD
439	WR17X2922	CHANNEL CONTROL
442	WR17X10060	CONTROL MEAT PAN ASM
443	WR02X8570	RACK CONTROL TEMP
447	WR02X8262	HINGE COVER WH
448	WR13X0646	HINGE TOP ASM
450	WR02X4194	SHIM HINGE TOP
451	WR13X0614	HINGE BTM PIN CAM ASM
452	WR02X9442	SHIM HINGE
453	WR40X1744	BREAKER STRIP R/S FF
454	WR40X1745	BREAKER STRIP BTM FF
455	WR40X1746	BREAKER STRIP TOP FF
457	WR40X1748	BREAKER STRIP L/S FF
458	WR02X7033	BRACKET MULLION BTM.
458	WR02X9376	BRACKET MULLION TOP
458	WR40X1749	MULLION WH
458	WR02X4739	NUT U
552	WR01X10034	SCR 12-24 TT IH .811 S
560	WR01X2140	SCREW
578	WZ02X0464	SCREW 8-32 X 3/8
609	WR23X0193	SWITCH LIGHT WH
810	WR17X4358	WATER TANK DISP ASM
812	WR17X2891	TUBE PLASTIC



216	WR32X1575	BUCKET UTILITY CLR
400	WR71X2292	SHELF CANT
401	WR32X1501	SHELF CANT GLASS
402	WR38X2150	REFLECTOR GLASS SHELF
403	WR32X1501	TRACK CANT SHELF
404	WR38X2150	TRIM SHELF GLASS
407	WR32X1492	VEG PAN UPPER
408	WR32X1493	VEG PAN LOWER
409	WR32X1500	COVER PAN GLASS
410	WR17X3950	HANDLE PAN
411	WR17X3951	HANDLE VEG PAN
414	WR14X0006	GASKET PAN COVER FRT
415	WR32X1473	COVER PAN GLASS
417	WR14X0006	GASKET SHIELD LOWER
479	WR72X0239	SLIDE ASM RH
479	WR72X0239	SLIDE ASM LH
480	WR72X0252	SLIDE ASM LH
480	WR72X0253	SLIDE ASM RH
481	WR72X0253	SLIDE PAN FRONT
551	WZ04X0244	SCR 8-18 AB RNDW 5/8 SS
554	WR01X2141	SCR 10-24 TR HXW I S



260	WR32X1427	PAN WATER DISPOSAL
324	WR02X7069	PLUG BUTTON LG WH
324	WR02X7051	PLUG BUTTON SM WH
616	WR82X10041	COVER ACCESS ASM
626	WR22X0100	POWER CORD
626	WR01X1100	CLAMP CABLE
627	WR17X3611	HOUSING COND FAN
630	WR02X7069	PLUG BUTTON WH
650	WR60X10010	MOTOR COND FAN
651	WR01X1515	NUT LOCKING
651	WR60X0101	BLADE COND FAN ASM
652	WR01X1714	WASHER CUSHION
683	WR01X1825	SCREW
725	WR87X10000	COMP REPL KIT
730	WR84X0188	CONDENSER ASM
732	WR02X7069	CLAMP-COVER
733	WR07X0111	PTCR
734	WR02X7334	COVER RELAY
735	WR08X1100	OVERLOAD
736	WR02X8383	CLIP COMP MTNG
737	WR02X10099	GROMMET
738	WR02X7069	CLIP COND LOOP
738	WR84X0169	TUBE COND LOOP ASM
740	WR86X0100	DRYER BIFURCATED XH9
747	WR17X3643	BAFFLE SIDE ASM
749	WR17X4147	BAFFLE SIDE DISCH ASM
751	WR17X3643	PLATE COMP MTG
764	WR02X9000	CLIP, COND MNT
765	WR01X1985	CLIP COND
800	WR57X10010	WATER VALVE ASM
804	WR02X4048	NUT SLEEVE 1/4
807	WR02X4048	NUT & SLEEVE 5/16"
807	WR02X4046	INSERT
818	WR02X10106	GUARD SPLASH