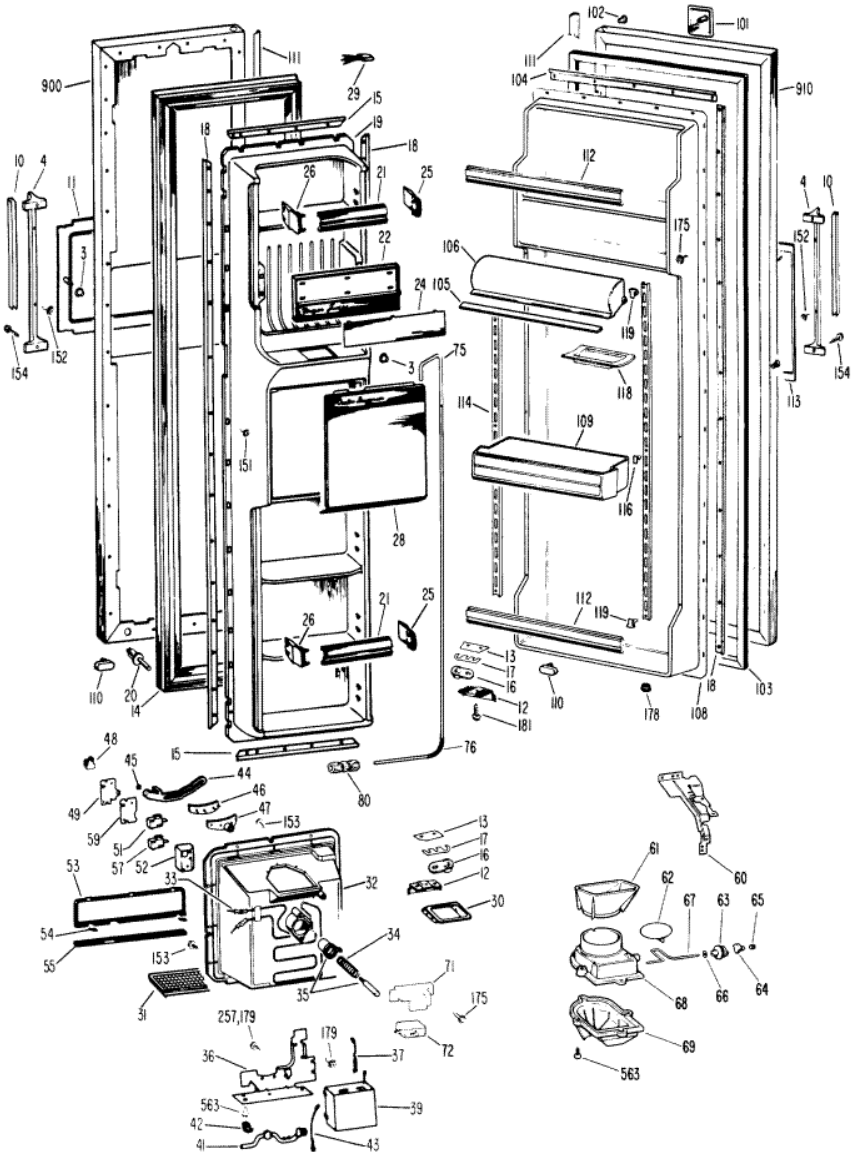


Distribuidor Autorizado

SurteRápido.com

Venta de Refacciones  
Electrodomesticas

## TFX22RHE PUERTAS





## TFX22RHE PUERTAS

3	WR2X4990	FASTENER TUBULAR (S/P)
4	WR2X4573	BRACKET HANDLE BOTTOM (S/P)
4	WR2X4572	RETAINER HANDLE TOP (S/P)
4	WR12X428	HANDLE DOOR (S/P)
7	WR1X1246	FASTENER <b>DESCONTINUADO</b>
7	WR1X1721	FASTENER DOOR HANDLE (S/P)
10	WR12X524	INSERT DOOR HANDLE(BLK) (S/P)
11	WR1X5469	NUT PAL (S/P)
11	WR38X1048	TRIM RECESS ASM(BLK) <b>DESCONTINUADO</b>
12	WR2X7213	STOP DOOR
13	WR2X4599	NUTSTRIP (S/P)
13	WR2X4540	SHIM CAM & DOOR STOP (S/P)
14	WR24X425	GASKET FZ O.DOOR (BRN) (S/P)
15	WR17X1231	RETAINER STRIP <b>DESCONTINUADO</b>
16	WR2X4901	HINGE CAM RISER
17	WR2X6043	SHIM RISER CAM <b>DESCONTINUADO</b>
18	WR17X1169	RETAINER STRIP (S/P)
19	WR77X393	DOOR INNER FZ (S/P)
20	WR23X161	SWITCH-INTERLOCK-DISP (S/P)
21	WR71X1456	FRONT DOOR SHELF <b>DESCONTINUADO</b>
22	WR1X5015	NUT PAL (S/P)
22	WR17X2125	FRONT JUICE COMP. <b>DESCONTINUADO</b>
24	WR38X907	TRIM JUICE FRONT <b>DESCONTINUADO</b>
25	WR2X7968	SUPPORT SHELF FRT-R.SIDE <b>DESCONTINUADO</b>
26	WR2X7969	SUPPORT SHELF FRT-L.SIDE <b>DESCONTINUADO</b>
28	WR17X1469	COVER RECESS REAR <b>DESCONTINUADO</b>
28	WR1X5351	CLIP SPEED <b>DESCONTINUADO</b>
29	WR49X201	HARNESS KIT RECESS (S/P)
29	WR49X5102	TERMINAL BLOCK KIT <b>DESCONTINUADO</b>
30	WR38X953	TRIM DUCT (S/P)
31	WR2X5997	GRILLE RECESS
32	WR17X1990	RECESS DISPENSER <b>DESCONTINUADO</b>
32	WR14X245	GASKET RECESS DISP (S/P)

33	WR51X347	HEATER RECESS & DUCT ASM (S/P)
34	WR2X3951	SPRING-RECESS DUCT (S/P)
35	WR2X6325	PLUNGER SCREW & SLEEVE
36	WR2X4235	PLATE BEARING DISP <b>DESCONTINUADO</b>
37	WR2X4248	CLIP TIME DELAY (S/P)
39	WR9X268	TIME DELAY ASM. (S/P)
41	WR17X1048	CRANK & RIVET ASM DISP (S/P)
42	WR2X4234	BEARING CRANK DISP (S/P)
43	WR2X4237	LANYARD DISPENSER (S/P)
43	WR2X4069	KEEPER LANYARD DISP <b>DESCONTINUADO</b>
44	WR2X4833	LEVER SELECTOR SW DISP (S/P)
45	WR2X4240	RETAINER RING EXT (S/P)
46	WR2X8471	PAD CRADLE (S/P)
47	WR2X3948	CRADLE DISP (S/P)
48	WR2X8192	KNOB SELECTOR DISP (S/P)
49	WR2X4592	PLATE HOUSING DISP (S/P)
50	WR2X4591	INSULATOR SW HOUSING (S/P)
51	WR23X190	SWITCH SELECTOR-ICE/WTR (S/P)
52	WR2X4832	HOUSING SWITCH (S/P)
53	WR17X2081	SHIELD & INSERT ASM <b>DESCONTINUADO</b>
54	WR2X4231	BRACKET LIGHT SHIELD (S/P)
55	WR38X844	TRIM C METAL (S/P)
60	WR17X1269	SUPPORT RECESS SWITCHES <b>DESCONTINUADO</b>
61	WR17X1261	CHUTE ICE <b>DESCONTINUADO</b>
62	WR17X1586	DUCT DOOR W/O LEVER (S/P)
63	WR17X1457	PULLEY TIME DELAY DISP (S/P)
64	WR17X1045	ARM TIME DELAY DISP (S/P)
65	WR2X4595	RING COMPRESSION (S/P)
66	WR1X1385	WASHER (S/P)
67	WR2X4814	CRANK DOOR DUCT DISP (S/P)
68	WR17X2133	RECESS DUCT&GROMMET ASM
68	WR14X246	GASKET DUCT-R. SIDE (S/P)
68	WR14X247	GASKET DUCT-L. SIDE (S/P)
69	WR17X5881	SHIELD & FUNNEL ASM DISP
71	WR49X328	HOUSING-DISP SWITCH (S/P)
72	WR23X318	SELECT SWITCH-CUBES/DISP (S/P)
72	WR2X7237	PLATE MTG-DISP SWITCH <b>DESCONTINUADO</b>
75	WR17X10206	WATER LINE ASM (S/P)

76	WR2X4633	SPRING PROTECT WIRE/TUBE (S/P)
80	WR2X8545	NUT & UNION ASM (S/P)
80	WR2X4265	CLAMP (S/P)
87	WZ4X241	SCREW (S/P)
101	WR3X408	NAMEPLATE FRZ O.DOOR GE (S/P)
102	WR2X4990	FASTENER TUBULAR (S/P)
103	WR24X424	GASKET FF O.DOOR (BRN)
104	WR17X1168	RETAINER STRIP (S/P)
105	WR38X905	TRIM DAIRY DOOR <b>DESCONTINUADO</b>
106	WR22X334	DOOR DAIRY <b>DESCONTINUADO</b>
108	WR77X468	DOOR INNER FF <b>DESCONTINUADO</b>
109	WR71X1745	SHELF DOOR MODULE ASM <b>DESCONTINUADO</b>
110	WR2X8989	SUPPORT TWIST BUMPER (S/P)
111	WR38X1425	TRIM DOOR <b>DESCONTINUADO</b>
112	WR71X1452	FRONT DOOR SHELF <b>DESCONTINUADO</b>
113	WR38X1038	TRIM RECESS DISP ASM(SL) <b>DESCONTINUADO</b>
114	WR17X1391	TRACK DOOR SHELF <b>DESCONTINUADO</b>
116	WR2X7316	CAP DOOR TRACK <b>DESCONTINUADO</b>
118	WR19X5003	DISH BUTTER (S/P)
119	WR2X7287	CAP TRACK-TOP & BTM <b>DESCONTINUADO</b>
152	WZ4X355	SCR 6-18 AB F1 3/8 SS (S/P)
153	WR1X1505	SCR 8-18 AB FL HD 9/16 S (S/P)
154	WR1X5477	SCR SPECIAL 10-16 (S/P)
175	WR1X1464	SCREW (S/P)
178	WR2X6058	PLUG BUTTON(.562"DIA.) (S/P)
179	WZ4X364	SCREW (S/P)
215	WR2X4843	CLIP EVAP COVER <b>DESCONTINUADO</b>
221	WR2X4594	GASKET DRAIN TROUGH (S/P)
224	WR2X10395	TUBE DRAIN (S/P)
225	WR1X1843	CLAMP HOSE (S/P)
239	WR23X314	HARNESS LIGHT & DEF HTR <b>DESCONTINUADO</b>
257	WR2X7568	BRACKET DEF CONTROL <b>DESCONTINUADO</b>
257	WZ5X160	SCR 6-32 D TR 3/8 SS (S/P)
257	WR9X502	DEFROST CONTROL
276	WR1X1326D	GROMMET SCR (S/P)
360	WR2X4566	PROTECTOR SHELF <b>DESCONTINUADO</b>
361	WR71X1734	COVER MOTOR & SOLENOID <b>DESCONTINUADO</b>
371	WR17X1062	COVER CRUSHER MOTOR <b>DESCONTINUADO</b>

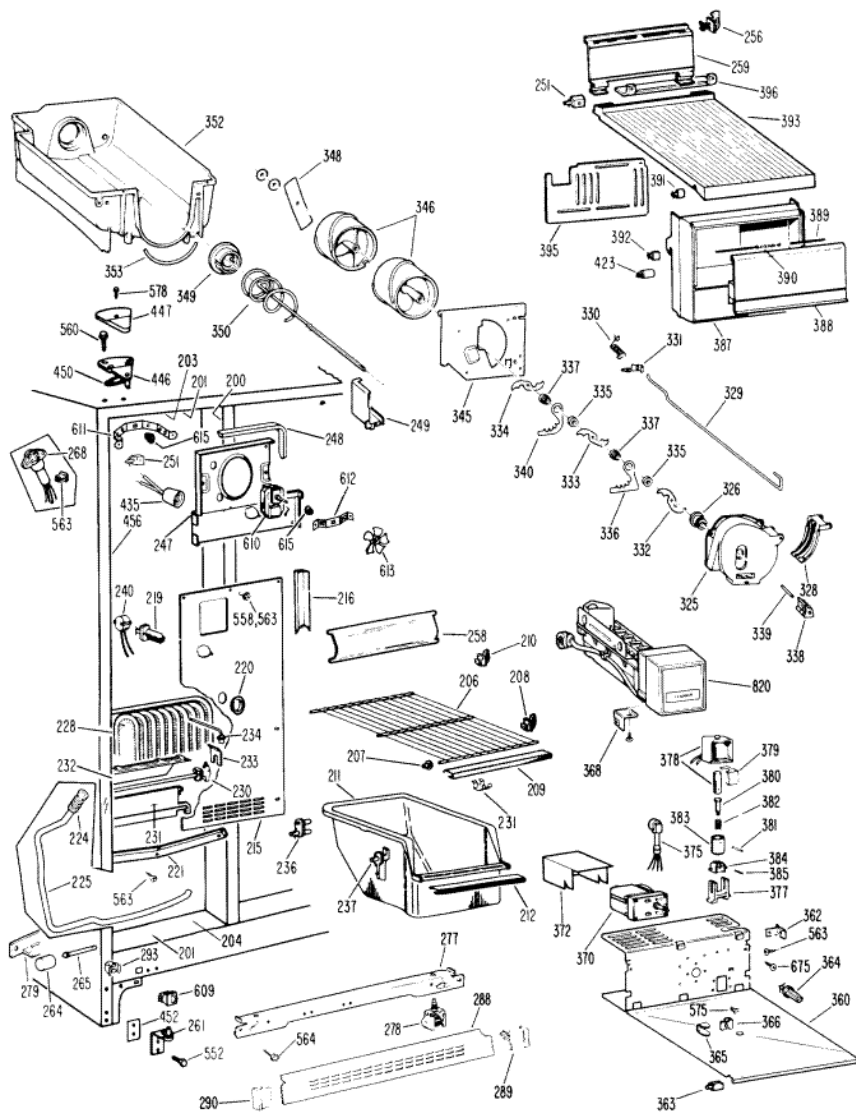
386	WZ4X363	SCR 8-18 B TR 3/8 SS (S/P)
386	WZ6X77	SCR 10-32 SPECIAL HEAD <b>DESCONTINUADO</b>
403	WR72X62	TRACK CANT SHELF <b>DESCONTINUADO</b>
435	STD372402	LAMP 60W (S/P)
435	WR2X9391	SOCKET & TERMINAL ASM
442	WR17X10060	BEZEL CONTROL (S/P)
445	WR49X233	R-E-D SERVICE PKG. <b>DESCONTINUADO</b>
461	WZ6X136	SCR 8-18 AB HXW 1/2 S (S/P)
551	WZ4X244	SCREW (S/P)
562	WX5X558	SCR 8-32 G TR 5/8 S NS (S/P)
562	WZ5X196	SCR 8-32 T TR 1/2 SS NS (S/P)
563	WZ4X241	SCREW (S/P)
563	WR1X1326	GROMMET SCR CLOSED (S/P)
565	WZ6X113	SCR 8-32 T TR 1/2 SS XTW <b>DESCONTINUADO</b>
568	WZ5X137	SCR 8-32 SPEC DRILL PT (S/P)
571	WZ4X247	SCR 8-15 A FL 5/8 SS <b>DESCONTINUADO</b>
572	WZ4X230	SCR 8-15 A PA 3/8 SS (S/P)
584	WZ2X509	SCR 8-32 MA PA 3/16 S (S/P)
621	WR2X4495	CONNECTOR W/LEAD (S/P)
651	WR1X1515	NUT LOCKING (S/P)
676	WZ4X263	SCR 10-16 AB HXW 1/2 S (S/P)
678	WR1X1687	SCR 8-18 AB HXW 3/8 S <b>DESCONTINUADO</b>
679	WZ4X287	SCR 8-18 AB HX 3/8 S <b>DESCONTINUADO</b>
687	WZ4X224	SCR 6-19 HI/LO HXW 1/2 S (S/P)
689	WZ5X246	SCREW (S/P)
691	WR1X1644	SCR 10-32 GX HXW 1/2 S (S/P)
691	WX2X560	SCR 8-32 D HXW 3/8 SS (S/P)
801	WR62X44	COIL-ICE (S/P)
810	WR17X2132	WATER TANK ASM DISP (S/P)
900	WR78X7766	FRZ O.DR/TRIM(WH) (S/P)
901	WR78X7767	FRZ O.DR/TRIM(HA) <b>DESCONTINUADO</b>
902	WR78X7768	FRZ O.DR/TRIM(AD) <b>DESCONTINUADO</b>
910	WR78X7836	FF O.DOOR W/TRIM(WH) <b>DESCONTINUADO</b>
911	WR78X7837	FF O.DOOR W/TRIM(AD) <b>DESCONTINUADO</b>
912	WR78X7838	FF O.DOOR W/TRIM(HA) (S/P)

Distribuidor Autorizado

SurteRápido.com

Venta de Refacciones  
Electrodomesticas

# TFX22RHE CONTENEDOR HIELO





## TFX22RHE CONTENEDOR HIELO

200	WR40X1574	BREAKER STRIP-FZ MULLION <b>DESCONTINUADO</b>
201	WR40X5371	BREAKER STRIP-TOP & BTM. <b>DESCONTINUADO</b>
203	WR2X5927	RETNR BRKR-TOP FF & FZ <b>DESCONTINUADO</b>
204	WR2X5872	RETAINER BREAKER <b>(S/P)</b>
204	WR2X7032	RETAINER BREAKER <b>DESCONTINUADO</b>
206	WR71X1647	SHELF FRZ. MOVABLE <b>DESCONTINUADO</b>
207	WR2X4676	GROMMET SHELF <b>(S/P)</b>
208	WR2X4674	SUPPORT SHELF
209	WR38X1021	TRIM SHELF <b>(S/P)</b>
210	WR2X4674	SUPPORT SHELF
211	WR21X116	BASKET FRZ <b>DESCONTINUADO</b>
212	WR17X1979	TRIM HANDLE <b>DESCONTINUADO</b>
214	WR1X1332	RIVET-PLASTIC <b>DESCONTINUADO</b>
215	WR17X2126	COVER EVAP. <b>(S/P)</b>
216	WR14X274	GASKET EVAP COVER <b>(S/P)</b>
219	WR2X4421	SUPPORT TWIST EVAP <b>DESCONTINUADO</b>
220	WR2X3025	PLUG RECESSED <b>DESCONTINUADO</b>
221	WR17X1238	TROUGH DRAIN <b>(S/P)</b>
225	WR17X2114	TUBE DRAIN FZ. <b>DESCONTINUADO</b>
225	WR2X4838	CLAMP <b>(S/P)</b>
228	WR2X4983	FOAM BLOCK EVAP AIR <b>(S/P)</b>
228	WR85X200	LOW SIDE ASM <b>DESCONTINUADO</b>
228	WR2X4982	FOAM BLOCK EVAP AIR <b>(S/P)</b>
230	WR49X391	HEATER ASM DEFROST
230	WR17X1276	SHIELD DEF HTR END <b>(S/P)</b>
230	WR2X4837	BRACKET DEF HTR <b>DESCONTINUADO</b>
231	WR2X4944	CLIP SHELF TRIM <b>(S/P)</b>
232	WR2X4971	COVER HEATER <b>DESCONTINUADO</b>
234	WR2X4546	HARNESS DEF HTR <b>DESCONTINUADO</b>
236	WR2X4548	SUPPORT BASKET-REAR <b>(S/P)</b>
237	WR2X7036	SUPPORT BASKET-FRONT <b>(S/P)</b>
240	WR50X55	THERMOSTAT DEFROST
247	WR17X1413	ORIFICE EVAP FAN <b>DESCONTINUADO</b>



248	WR2X3899	FOAM STRIP (S/P)
249	WR17X1414	BAFFLE AIR OUTLET FZ. (S/P)
251	WR2X2880	SUPPORT TWIST (S/P)
256	WR2X4839	SUPPORT LT. SHIELD (S/P)
258	WR17X1407	SHIELD LIGHT (S/P)
259	WR17X1929	SHIELD FAN DESCONTINUADO
261	WR13X10020	HINGE BTM PIN & CAM ASM
264	WR2X3594	WHEEL MOBILITY (S/P)
265	WR2X3595	COTTERPIN-AXLE (S/P)
268	WR23X312	IM RECEPACLE (S/P)
277	WR17X2119	RAIL MACH MTG FRT DESCONTINUADO
278	WR2X4858	WHEEL ASM FRT (S/P)
279	WR17X6194	RAIL MACH. MTG. REAR DESCONTINUADO
288	WR2X7079	BUMPER GRILLE (S/P)
288	WR74X200	GRILLE O C (S/P)
289	WR2X7158	END CAP-GRILLE-R.S.(BLK)
290	WR2X7159	END CAP-GRILLE-L.S.(BLK) DESCONTINUADO
293	WR2X7080	CLIP-0. CASE-END CAP (S/P)
325	WR17X2061	HOUSING CRUSHER DISP (S/P)
326	WR1X1366	WASHER (S/P)
326	WR1X1367	RETAINER RING E (S/P)
326	WR1X1585	NUT AUGER (S/P)
328	WR2X4143	PIN DEFLECTOR DISP (S/P)
328	WR2X4561	SPRING ICE DEFLECTOR (S/P)
328	WR17X2059	DEFLECTOR ICE DISP (S/P)
329	WR17X2060	WIRE ACTUATOR DISP (S/P)
330	WR2X4145	SPRING DEFLECTOR (S/P)
331	WR2X4251	RETAINER ACTUATOR WIRE (S/P)
332	WR17X1361	BLADES MOVING DISP (S/P)
333	WR17X1362	BLADES MOVING DISP (S/P)
334	WR17X1363	BLADES MOVING DISP (S/P)
335	WR2X4139	SPACER CRUSHER MIDDLE (S/P)
336	WR17X2216	BLADE STATIONARY DISP (S/P)
337	WR2X4138	SPACER CRUSHER STATIONAR (S/P)
338	WR2X4140	BLADE REST DISP (S/P)
339	WR2X4141	PIN SPIRAL (S/P)
340	WR17X2058	BLADE STATIONARY DISP (S/P)
345	WR17X2760	PLATE FRONT DISP (S/P)



346	WR49X10183	HELIX FRONT-DISP (S/P)
346	WR17X2056	HELIX REAR-DISP (S/P)
348	WR2X7783	BLADE IN DISP (S/P)
349	WR2X4550	CUP DRIVE DISPENSER (S/P)
350	WR17X2740	AUGER HELIX DISP (S/P)
352	WR30X257	BUCKET ICE DISP
353	WR2X7905	SEAL BUCKET DISP (S/P)
360	WR71X1735	SHELF BUCKET BTM DISP <b>DESCONTINUADO</b>
362	WR2X4590	BRACKET SHELF <b>DESCONTINUADO</b>
363	WR2X4465	SUPPORT SHELF (S/P)
364	WR2X7310	SUPPORT TWIST (S/P)
365	WR2X4854	DRIVE AUGER DISPENSER (S/P)
366	WR1X1547	NUT J (S/P)
368	WR2X7311	BRACKET IM MTG <b>DESCONTINUADO</b>
370	WR60X101	MOTOR AUGER DISP
372	WR2X11295	SHIELD CRUSHER MTR (S/P)
372	WR2X4782	CLIP MOTOR RECESS DISP (S/P)
375	WR23X194	HARNESS MOTOR DISP. (S/P)
377	WR2X7309	SADDLE SOLENOID (S/P)
378	WR62X58	SOLENOID
379	WR17X1063	SHROUD SOLENOID (S/P)
380	WR17X1064	PLUNGER SOLENOID (S/P)
381	WR2X4257	PIN SPIRAL (S/P)
382	WR2X4258	SPRING SOLENOID LINKAGE (S/P)
383	WR17X1065	COLLAR SOLENOID DISP (S/P)
384	WR17X1066	STIRRUP SOLENOID DISP (S/P)
385	WR2X4259	PIN SPIRAL (S/P)
386	WZ6X100	SCREW <b>DESCONTINUADO</b>
387	WR17X1981	COVER BUCKET& INSERT ASM <b>DESCONTINUADO</b>
388	WR22X242	DOOR ICE STORAGE DISP <b>DESCONTINUADO</b>
389	WR2X3983	BUMPER <b>DESCONTINUADO</b>
389	WR2X4262	ROD ACCESS DOOR (S/P)
390	WR2X3967	SPRING (S/P)
391	WR2X4467	SUPPORT TWIST (S/P)
392	WR2X7358	SUPPORT FRONT COVER <b>DESCONTINUADO</b>
393	WR71X1736	SHELF BUCKET TOP DISP (S/P)
395	WR17X2069	SHIELD LIGHT <b>DESCONTINUADO</b>
396	WR17X5563	BAFFLE AIR DISP <b>DESCONTINUADO</b>

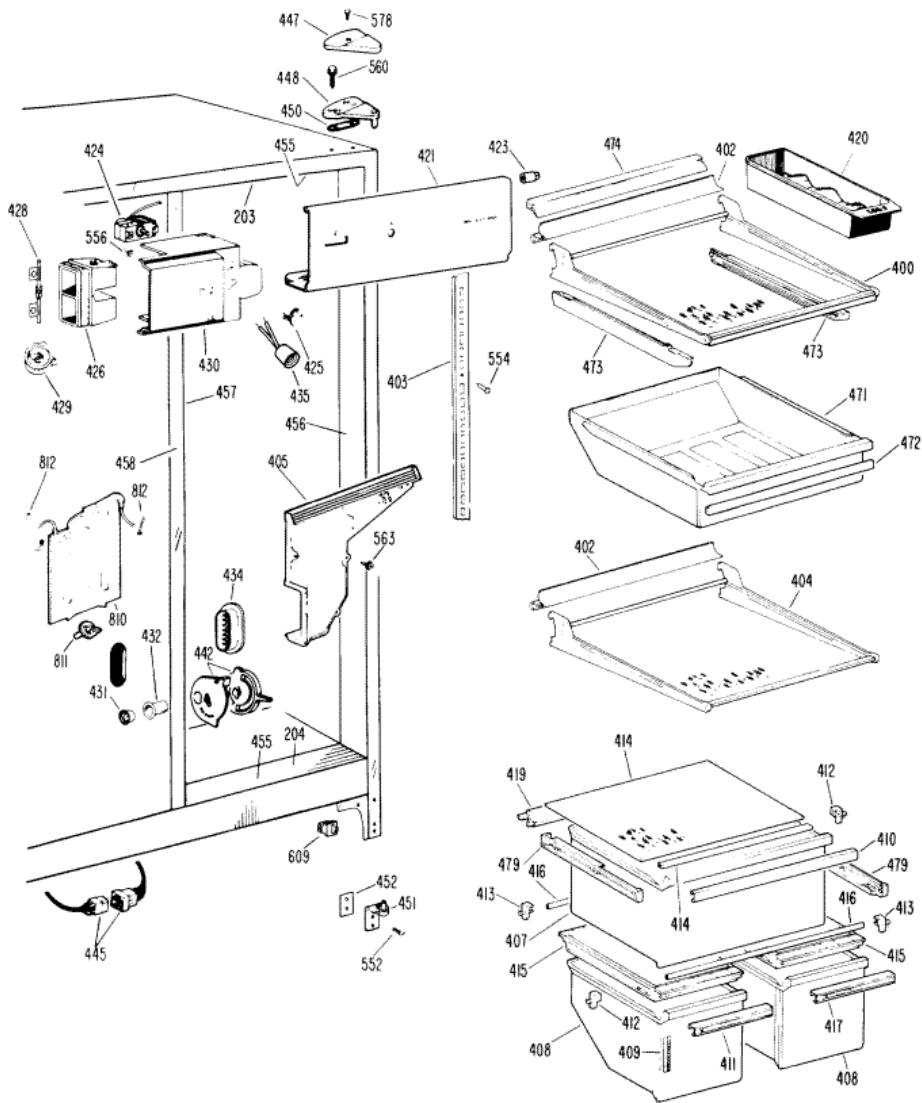
423	WR2X6347	SUPPORT SHIELD-TOP (S/P)
435	WR2X7494	BRACKET LIGHT (S/P)
446	WR13X578	HINGE TOP ASM <b>DESCONTINUADO</b>
447	WR2X7570	INSULATOR HINGE COVER <b>DESCONTINUADO</b>
447	WR2X7569	COVER HINGE <b>DESCONTINUADO</b>
450	WR2X4194	SHIM HINGE TOP (S/P)
452	WR2X7011	SHIM HINGE BTM. (S/P)
452	WR2X7143	NUTSTRIP HINGE BTM (S/P)
452	WR2X9443	SHIM HINGE BTM. (S/P)
456	WR2X5926	RETNR BRKR-HINGE & MULL <b>DESCONTINUADO</b>
456	WR40X5376	BREAKER STRIP-HINGE SIDE (S/P)
552	WR1X1587	SCREW (S/P)
558	WZ6X107	SCREW (S/P)
563	WZ4X241	SCREW (S/P)
563	WR1X1326	GROMMET SCR CLOSED (S/P)
564	WR1X1194	SCREW (S/P)
564	WZ4X284	SCR 6-20 AB TR 3/8 SS <b>DESCONTINUADO</b>
578	WZ2X503	SCREW (S/P)
609	WR23X10143	SWITCH LIGHT (S/P)
610	WR60X190	MOTOR EVAP FAN (S/P)
611	WR2X4792	BRACKET EVAP FAN <b>DESCONTINUADO</b>
612	WR2X7137	BRACKET EVAP FAN <b>DESCONTINUADO</b>
613	WR60X114	RING FAN BLADE (S/P)
615	WR2X2945	GROMMET (S/P)
675	WZ6X94	SCR 8-18 AB RNDW 5/8 SS <b>DESCONTINUADO</b>

Distribuidor Autorizado

SurteRápido.com

Venta de Refacciones  
Electrodomesticas

## TFX22RHE CAJONES





## TFX22RHE CAJONES

203	WR2X5927	RETNR BRKR-TOP FF & FZ <b>DESCONTINUADO</b>
204	WR2X7032	RETAINER BREAKER <b>DESCONTINUADO</b>
204	WR2X5872	RETAINER BREAKER <b>DESCONTINUADO</b>
400	WR71X1651	SHELF CANT(SNACK PAN) <b>DESCONTINUADO</b>
402	WR38X1440	REFLECTOR SHELF <b>DESCONTINUADO</b>
404	WR71X1650	SHELF CANT GLASS ASM <b>DESCONTINUADO</b>
405	WR17X1523	DUCT AIR & GASKET ASM FF <b>DESCONTINUADO</b>
405	WR14X264	TAPE FOAM <b>(S/P)</b>
407	WR32X1221	PAN UPPER
408	WR32X650	PAN MEAT & VEG. <b>DESCONTINUADO</b>
409	WR2X7214	DECAL MEAT PAN <b>DESCONTINUADO</b>
410	WR17X2072	HANDLE & INSERT ASM <b>DESCONTINUADO</b>
411	WR17X1558	HANDLE PAN <b>DESCONTINUADO</b>
412	WR2X4941	SUPPORT-R.REAR/L.FRONT <b>(S/P)</b>
413	WR2X4942	SUPPORT-L.REAR/R.FRONT <b>DESCONTINUADO</b>
414	WR32X893	COVER PAN GLASS <b>(S/P)</b>
414	WR14X406	GASKET PAN COVER FRT <b>(S/P)</b>
415	WR32X676	COVER PAN <b>DESCONTINUADO</b>
416	WR2X4790	RAIL VEG COVER <b>DESCONTINUADO</b>
417	WR17X1557	HANDLE PAN <b>DESCONTINUADO</b>
419	WR14X341	GASKET PAN COVER REAR <b>DESCONTINUADO</b>
420	WR32X1560	BUCKET EGG <b>(S/P)</b>
421	WR17X3954	SHIELD LIGHT FF <b>DESCONTINUADO</b>
423	WR2X6347	SUPPORT SHIELD-TOP <b>(S/P)</b>
424	WR9X442	CONTROL TEMP
425	WR2X9216	KNOB TEMP CONT <b>(S/P)</b>
426	WR2X4834	INSUL FOAM NOZZLE <b>DESCONTINUADO</b>
426	WR2X8514	HOUSING NOZZLE <b>(S/P)</b>
426	WR14X462	GASKET FOAM <b>(S/P)</b>
428	WR2X4835	SHAFT DAMPER <b>(S/P)</b>
429	WR2X4836	KNOB DAMPER <b>DESCONTINUADO</b>
430	WR1X5463	CLIP-CONTROL HOUSING <b>DESCONTINUADO</b>
430	WR17X1412	HOUSING CONT <b>(S/P)</b>

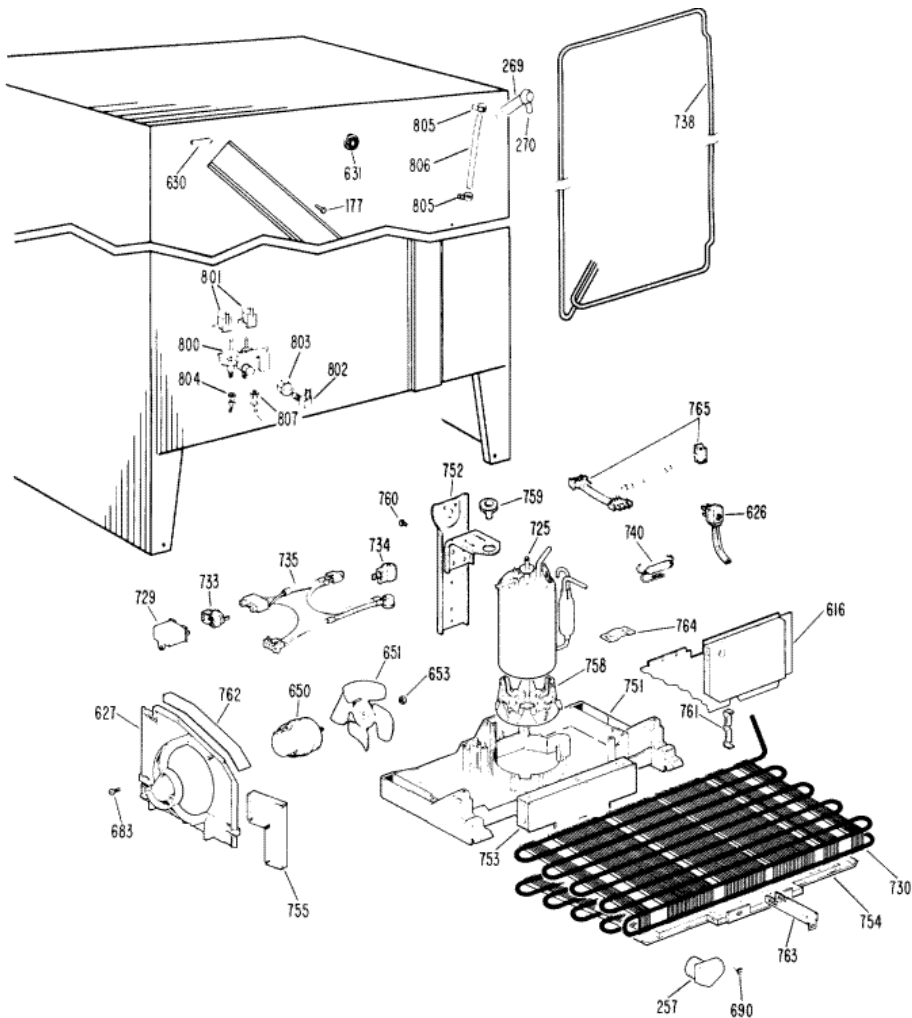
431	WR2X4799	CAP MULLION DUCT (S/P)
432	WR2X3886	DUCT MULLION <b>DESCONTINUADO</b>
434	WR2X4542	DUCT AIR RETURN ASM FF (S/P)
435	WR2X7494	BRACKET LIGHT (S/P)
442	WR17X10060	DAMPER ASM. (S/P)
447	WR2X7569	COVER HINGE <b>DESCONTINUADO</b>
447	WR2X7570	INSULATOR HINGE COVER <b>DESCONTINUADO</b>
448	WR13X577	HINGE TOP ASM <b>DESCONTINUADO</b>
450	WR2X4194	SHIM HINGE TOP (S/P)
451	WR13X10020	HINGE BTM PIN & CAM ASM
452	WR2X7011	SHIM HINGE BTM. (S/P)
452	WR2X9443	SHIM HINGE BTM. (S/P)
452	WR2X7143	NUTSTRIP HINGE BTM (S/P)
455	WR40X5378	BREAKER STRIP-TOP & BTM. <b>DESCONTINUADO</b>
456	WR2X5926	RETNR BRKR-HINGE & MULL <b>DESCONTINUADO</b>
456	WR40X5376	BREAKER STRIP-HINGE SIDE (S/P)
457	WR40X1575	BREAKER STRIP-FF MULLION <b>DESCONTINUADO</b>
458	WR2X7031	BRACKET MULLION TOP <b>DESCONTINUADO</b>
458	WR40X1576	MULLION & TAB ASM(WHITE) <b>DESCONTINUADO</b>
458	WR2X4739	NUT U <b>DESCONTINUADO</b>
458	WR2X7033	BRACKET MULLION BTM.B (S/P)
471	WR32X709	PAN SNACK <b>DESCONTINUADO</b>
472	WR38X954	TRIM <b>DESCONTINUADO</b>
473	WR17X1515	SLIDE PAN-R. SIDE (S/P)
473	WR17X1516	SLIDE PAN-L. SIDE (S/P)
474	WR14X282	GASKET PAN SNACK <b>DESCONTINUADO</b>
479	WR72X215	SLIDE PAN L/S
479	WR72X214	SLIDE PAN R/S (S/P)
552	WR1X1587	SCREW (S/P)
554	WR1X1483	SCREW (S/P)
556	WZ2X460	SCR 8-32 MA TR 1/4 SS (S/P)
563	WZ4X241	SCREW (S/P)
563	WR1X1326	GROMMET SCR CLOSED (S/P)
578	WZ2X503	SCREW (S/P)
609	WR23X10143	SWITCH LIGHT (S/P)
687	WZ5X194	SCREW (S/P)
811	WR2X4469	SUPPORT TWIST <b>DESCONTINUADO</b>
812	WR17X1483	TUBE KIT-OUTLET & INLET (S/P)

Distribuidor Autorizado

SurteRápido.com

Venta de Refacciones  
Electrodomesticas

## TFX22RHE CONDENSADOR





## TFX22RHE CONDENSADOR

177	WR1X5034	SCREW (S/P)
257	WR9X502	DEFROST CONTROL
257	WZ5X160	SCR 6-32 D TR 3/8 SS (S/P)
257	WR2X7568	BRACKET DEF CONTROL <b>DESCONTINUADO</b>
269	WR1X1543	U-NUT <b>DESCONTINUADO</b>
269	WR2X6087	FILL TUBE (S/P)
270	WR2X4754	CLAMP HOSE (S/P)
270	WR2X8474	GROMMET (S/P)
616	WR82X273	BAFFLE SOUND REAR ASM <b>DESCONTINUADO</b>
626	WR1X5278	CLAMP CABLE (S/P)
626	WR23X10300	POWER CORD (S/P)
627	WR17X2102	HOUSING COND FAN <b>DESCONTINUADO</b>
630	WR2X4097	PLUG BUTTON (S/P)
631	WR2X4829	SEAL PLUG(1.79 HEX HOLE) (S/P)
631	WR2X4968	PLUG RECESSED (S/P)
650	WR60X187	MOTOR COND.FAN (S/P)
651	WR1X1714	WASHER (S/P)
651	WR60X220	FAN BLADE (S/P)
683	WZ5X164	SCREW <b>DESCONTINUADO</b>
683	WR1X1720	SCREW (S/P)
690	WR1X1466	SCR 8-32 T HXW 3/8 S (S/P)
725	WR97X86	REFRIGERANT (S/P)
725	WR87X10082	HIGH SIDE ASM (S/P)
729	WR62X51	CAPACITOR
730	WR84X104	CONDENSER ASM. (S/P)
733	WR7X222	RELAY
734	WR2X7396	COVER-GUARDETTE (S/P)
735	WR8X88	GUARDETTE AND HARNESS <b>DESCONTINUADO</b>
738	WR2X7064	CLIP COND LOOP (S/P)
738	WR84X110	CONDENSER LOOP ASM <b>DESCONTINUADO</b>
740	WR86X93	DRYER (S/P)
751	WR17X2088	UNIMOUNT <b>DESCONTINUADO</b>
752	WR17X2087	BRACE COMP. (S/P)



753	WR82X0265	BAFFLE CENTER ASM <b>DESCONTINUADO</b>
754	WR82X0270	FLOOR ASM. <b>DESCONTINUADO</b>
755	WR82X0268	BAFFLE AIR <b>DESCONTINUADO</b>
758	WR17X2091	PAD-COMP. <b>(S/P)</b>
759	WR02X7394	GROMMET <b>(S/P)</b>
760	WR01X1717	SCREW <b>DESCONTINUADO</b>
761	WR02X7395	CLIP <b>DESCONTINUADO</b>
762	WR02X7493	FOAM STRIP SE ADH <b>DESCONTINUADO</b>
763	WR02X7502	BRACKET-CONDENSER <b>DESCONTINUADO</b>
764	WR02X7500	CLIP COND <b>DESCONTINUADO</b>
765	WR50X0104	THERMOSTAT & HARNESS ASM
800	WR57X10051	WATER VALVE ASM
801	WR62X0027	COIL ASM-WATER(BLUE)
802	WR57X0052	ELBOW WATER FITTING <b>DESCONTINUADO</b>
803	WR57X0050	FITTING HOSE <b>DESCONTINUADO</b>
803	WR57X73	WASHER HOSE FITTING <b>DESCONTINUADO</b>
804	WR57X0057	NUT & SLEEVE 1/4" <b>(S/P)</b>
804	WR02X4046	INSERT <b>(S/P)</b>
805	WR2X12265	CLAMP TUBE <b>(S/P)</b>
806	WR17X1948	TUBE PLASTIC <b>(S/P)</b>
807	WR2X8545	NUT & SLEEVE 5/16" <b>(S/P)</b>