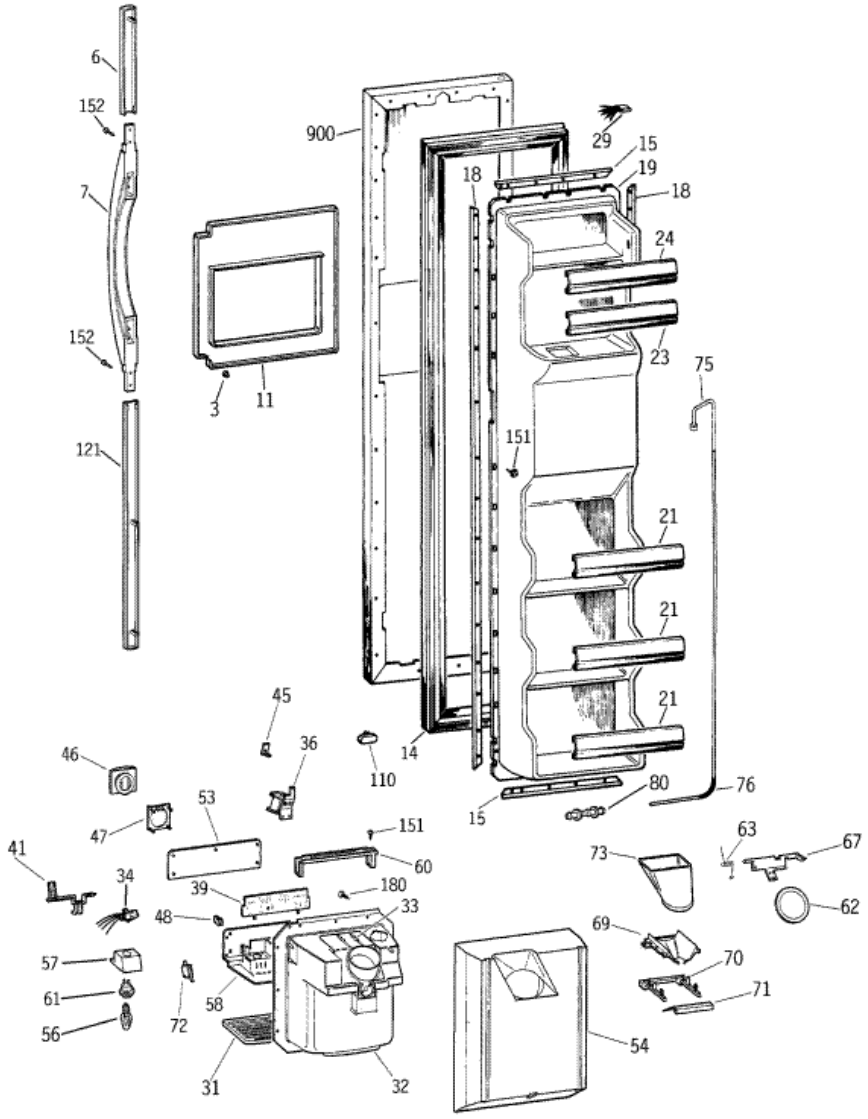


Distribuidor Autorizado

SurteRápido.com

Venta de Refacciones
Electrodomesticas

TFX22ZPBEWW PUERTA CONGELADOR





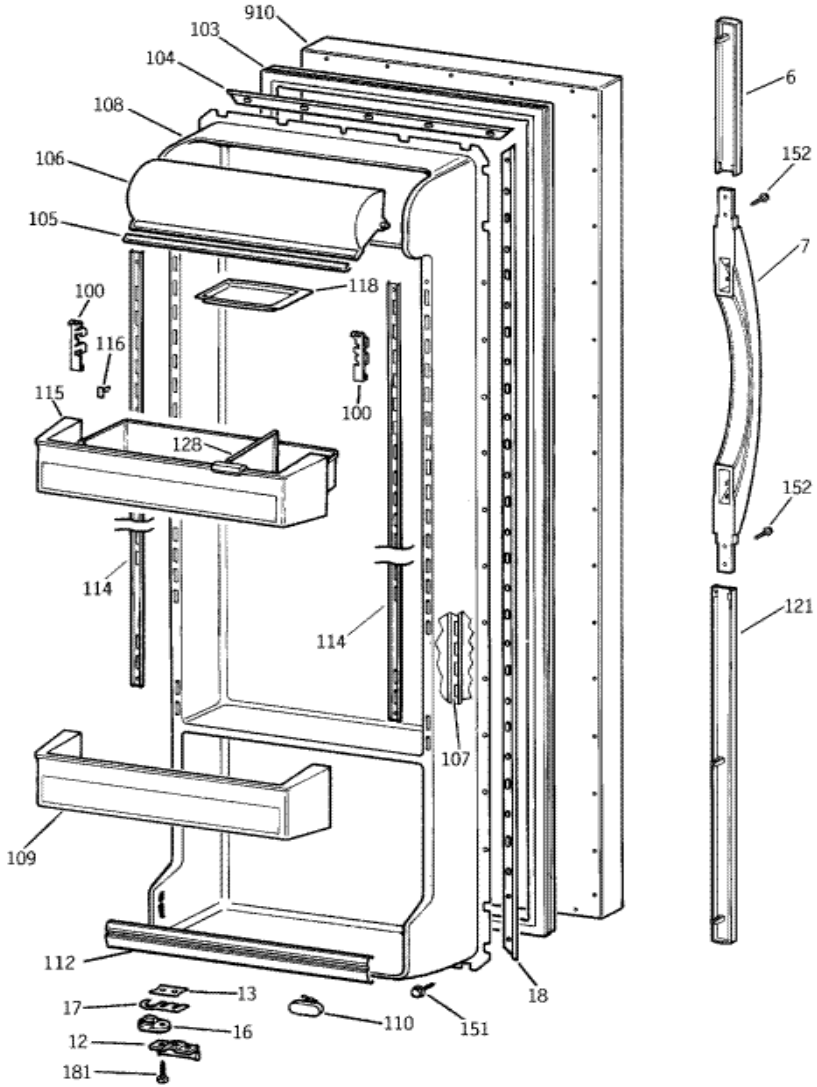
TFX22ZPBEWW PUERTA CONGELADOR

3	WRX8669	FASTENER TUBULAR (S/P)
6	WR12X10100	DESCONTINUADO
6	WR12X10112	TAIL HANDLE SXS BK (S/P)
6	WR12X10104	TAIL HANDLE SXS WH (S/P)
7	WR12X10434	HANDLE SXS ASM BK (S/P)
7	WR12X10332	HANDLE SXS ASM WH
7	WR12X10331	HANDLE SXS ASM AD (S/P)
11	WR38X10108	TRIM RECESS DISP BK (S/P)
11	WR38X10109	TRIM RECESS DISP WH (S/P)
11	WR38X10110	TRIM RECESS DISP AD (S/P)
14	WR24X536	GASKET DOOR BK (S/P)
14	WR24X527	GASKET DOOR FZ WH (S/P)
15	WR17X3119	RETAINER STRIP (S/P)
18	WR17X1169	RETAINER STRIP (S/P)
19	WR77X600	DESCONTINUADO
21	WR17X3946	FRONT DOOR SHELF (S/P)
23	WR17X3947	DESCONTINUADO
24	WR17X3948	FRONT DOOR SHELF (S/P)
29	WR23X10096	HARNES DR HINGE FZ (S/P)
31	WR17X4151	GRILLE RECESS AD (S/P)
31	WR17X4153	GRILLE RECESS WH (S/P)
31	WR17X4152	GRILLE RECESS BK (S/P)
32	WR17X10517	RECESS DISP BK (S/P)
32	WR17X10203	RECESS DISP AD (S/P)
32	WR17X10205	RECESS DISP WH
33	WR51X353	HEATER RECESS (S/P)
34	WR23X456	HARNES LIGHT SW. (S/P)
36	WR62X107	SOLENOID ASM
39	WR55X129	MODULE TIME DELAY
41	WR17X3493	CRADLE ACTUATOR (S/P)
45	WR2X8818	RETAINER RECESS DOOR (S/P)
46	WR2X8702	PAD ACTUATOR BK (S/P)
46	WR2X8726	PAD ACTUATOR AD (S/P)

47	WR2X8681	SUPPORT ACTUATOR PAD BK (S/P)
48	WR2X8696	KNOB RECESS DISP WH (S/P)
48	WR2X8676	KNOB RECESS DISP BK (S/P)
48	WR2X9154	KNOB RECESS DISP AD (S/P)
53	WR17X10254	DESCONTINUADO
53	WR17X10253	NAMEPLATE RECESS BK (S/P)
53	WR17X10252	NAMEPLATE RECESS AD (S/P)
54	WR17X3927	INSULATION RECESS (S/P)
57	WR2X8725	REFLECTOR LAMP SOCKET (S/P)
58	WR17X3139	SHIELD RECESS DISP BK (S/P)
58	WR17X3206	SHIELD RECESS DISP AD (S/P)
58	WR17X3178	SHIELD RECESS DISP WH (S/P)
60	WR2X8674	COVER ELECT (S/P)
61	WR2X9561	SOCKET LAMP E12 (S/P)
62	WR17X11653	DOOR RECESS ASM
63	WR2X8663	SPRING RECESS DOOR (S/P)
65	WZ4X230	SCREW 8-15 A PA 3/8 SS (S/P)
67	WR17X3089	CRANK DOOR RECESS (S/P)
69	WR17X3095	FUNNEL RECESS SHIELD BK (S/P)
70	WR2X8954	SUPT. FUNNEL GUARD WH (S/P)
70	WR2X8943	SUPT. FUNNEL GUARD BK (S/P)
71	WR17X10282	DEFLECTOR ICE BK (S/P)
72	WR23X366	SWITCH CRADLE ACTUATOR (S/P)
73	WR17X3125	DESCONTINUADO
75	WR17X3669	GROMMET TUBE ASM (S/P)
76	WR2X8933	SLEEVE WATER LINE (S/P)
80	WR2X8545	NUT & UNION ASM (S/P)
87	WZ4X241	SCR 8-15 AB TR 1/2 SS (S/P)
98	WR1K1	SCREW 8-36 T IHW 3/8 SN (S/P)
110	WR2X8989	SUPPORT TWIST BUMPER (S/P)
121	WR12X10113	TAIL HANDLE SXS BK (S/P)
121	WR12X10106	TAIL HANDLE SXS WH
121	WR12X10102	TAIL HANDLE SXS AD (S/P)
134	WR1X10019	SCR 6-10 PL FLP 1/2 S (S/P)
151	WR1X1554	SCREW 8-18 AB IHW 9/16 S (S/P)
152	WR1X10038	SCR 8-18 AB FLTR 5/8 S (S/P)
153	WR1X1505	SCR RECESS DISP 8-18 AB (S/P)
180	WR1X1966	SCREW 6-32 PL IHW 3/8 (S/P)

231	WR1X1987	RIVET PLASTIC WH (S/P)
231	WR1X2110	PLUG FASTENER (S/P)
276	WR1X1326D	GROMMET SCR (S/P)
303	WD1X1440	HOUSING TERMINAL (S/P)
461	WZ6X136	SCR 8-18 AB HXW 1/2 S (S/P)
551	WZ4X244	SCR 8-18 AB RNDW 5/8 SS (S/P)
676	WZ4X263	SCR 10-16 AB HXW 1/2 (S/P)
690	WR1X1466	SCR 8-32 T HXW 3/8 S (S/P)
782	WB17X5060	TERMINAL BLK ASM (2 PIN) (S/P)
900	WR78X10192	DOOR FOAM ASM FZ AD (S/P)
900	WR78X10195	DOOR FOAM ASM FZ BK (S/P)
900	WR78X10191	DOOR FOAM ASM FZ WH (S/P)
1458	WB17X5062	TERMINAL BLK ASM (12PIN) (S/P)

**TFX22ZPBEWW PUERTA
 REFRIGERADOR**





TFX22ZPBEWW PUERTA REFRIGERADOR

6	WR12X10100	DESCONTINUADO
6	WR12X10104	TAIL HANDLE SXS WH (S/P)
6	WR12X10112	TAIL HANDLE SXS BK (S/P)
7	WR12X10434	HANDLE SXS ASM BK (S/P)
7	WR12X10331	HANDLE SXS ASM AD (S/P)
7	WR12X10332	HANDLE SXS ASM WH
12	WR2X9300	STOP DOOR WH (S/P)
12	WR2X9302	STOP DOOR AD (S/P)
12	WR2X7213	STOP DOOR BK
13	WR2X7490	SHIM CAM DOOR STOP (S/P)
16	WR2X10140	HINGE CAM RISER (S/P)
17	WR2X7491	SHIM RISER CAM .031 (S/P)
18	WR17X1169	RETAINER STRIP (S/P)
100	WR2X8409	HOOK MODULE R/S (S/P)
100	WR2X8410	HOOK MODULE L/S (S/P)
103	WR24X529	GASKET DOOR FF WH (S/P)
103	WR24X535	GASKET DOOR FF BK (S/P)
104	WR17X1168	RETAINER STRIP (S/P)
105	WR38X2147	TRIM DAIRY DOOR (S/P)
106	WR22X383	DOOR DAIRY (S/P)
107	WR72X256	TRACK DOOR INNER (S/P)
108	WR77X668	DOOR INNER FF (S/P)
108	WR1X1718	SCREW 6-20 AB PA 1/2 SS (S/P)
109	WR71X2597	SHELF DOOR REMOVABLE ASM (S/P)
110	WR2X8989	SUPPORT TWIST BUMPER (S/P)
112	WR17X10451	FRONT DOOR SHELF (S/P)
114	WR72X257	TRACK DOOR SHELF (S/P)
115	WR71X2598	SHELF DOOR MODULE ASM (S/P)
116	WR2X7829	CAP DOOR TRACK (S/P)
118	WR19X5003	BUTTER DISH (S/P)
121	WR12X10113	TAIL HANDLE SXS BK (S/P)
121	WR12X10106	TAIL HANDLE SXS WH
121	WR12X10102	TAIL HANDLE SXS AD (S/P)

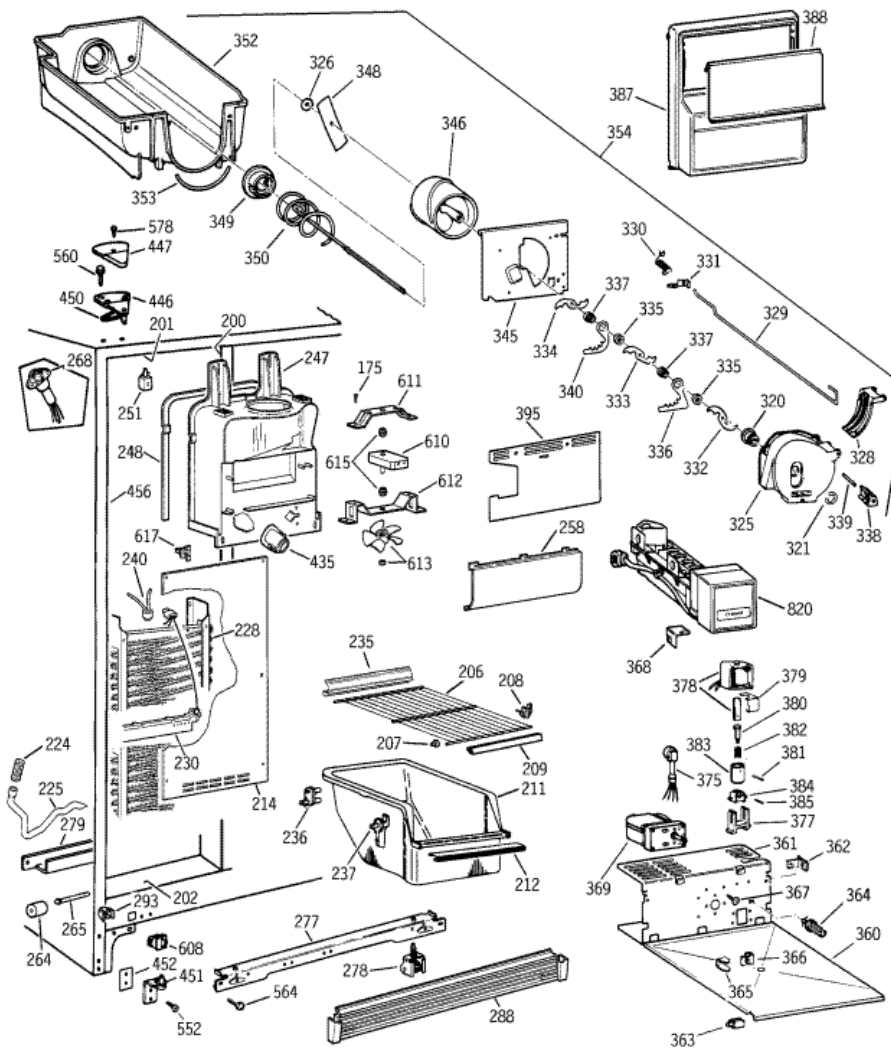
128	WR2X7971	SNUGGER MODULE (S/P)
151	WR1X1554	SCREW 8-18 AB IHW 9/16 S (S/P)
152	WR1X10038	SCR 8-18 AB FLTR 5/8 S (S/P)
181	WZ6X105	DESCONTINUADO
910	WR78X10193	DOOR FOAM ASM FF WH (S/P)
910	WR78X10196	DOOR FOAM ASM FF BK (S/P)
910	WR78X10194	DOOR FOAM ASM FF AD (S/P)

Distribuidor Autorizado

SurteRápido.com

Venta de Refacciones
Electrodomesticas

TFX22ZPBWW CONTENEDOR DE HIELO





TFX22ZPBWW CONTENEDOR DE HIELO

200	WR40X1741	BREAKER STRIP R/S FZ (S/P)
201	WR40X1742	BREAKER STRIP TOP FZ (S/P)
202	WR40X1743	BREAKER STRIP BTM FZ (S/P)
206	WR71X10715	SHELF FZ (S/P)
207	WR2X4676	GROMMET SHELF (S/P)
208	WR2X4674	SUPPORT SHELF
209	WR38X2151	DESCONTINUADO
211	WR21X180	FRZ BASKET (S/P)
212	WR38X2149	TRIM HANDLE BASKET FZ (S/P)
214	WR17X3919	COVER EVAP (S/P)
214	WR14X456	GASKET COVER EVAP (S/P)
214	WR1X10064	CLIP EVAP COVER (S/P)
224	WR2X8657	DESCONTINUADO
225	WR1X1843	CLAMP HOSE (S/P)
225	WR2X10395	TUBE DRAIN (S/P)
228	WR85X10090	LOW SIDE ASM (S/P)
230	WR51X10031	HEATER HARNESS DEF ASM
230	WR51X10101	HEATER & BRACKET ASM
235	WR38X2180	REFLECTOR SHELF WIRE (S/P)
236	WR2X4548	SUPPORT BASKET-REAR (S/P)
237	WR2X7036	SUPPORT BASKET-FRONT (S/P)
240	WR50X122	THERMOSTAT DEF (S/P)
247	WR17X10226	ORIFICE EVAP FAN (S/P)
248	WR14X493	FOAM STRIP (S/P)
251	WR2X2880	SUPPORT TWIST (S/P)
258	WR17X3484	SHIELD LIGHT FZ (S/P)
264	WR2X3594	WHEEL ONLY MOBILITY (S/P)
265	WR2X3595	AXLE WHEEL FRONT (S/P)
268	WR23X312	IM RECEPTACLE (S/P)
277	WR17X3136	RAIL MACH MTG FRT (S/P)
278	WR2X4858	WHEEL ASM FRT (S/P)
279	WR17X10437	RAIL MACH MTG REAR (S/P)
288	WR74X217	GRILLE BASE WH (S/P)

288	WR74X224	GRILLE BASE AD (S/P)
288	WR74X216	GRILLE BASE BK (S/P)
293	WR2X7080	CLIP-O. CASE-END CAP (S/P)
320	WR1X1585	NUT AUGER (S/P)
321	WR1X1367	RETAINER RING E (S/P)
325	WR17X2061	HOUSING CRUSHER DISP (S/P)
326	WR1X1366	WASHER (S/P)
328	WR17X2059	DEFLECTOR ICE DISP (S/P)
328	WR2X4561	SPRING ICE DEFLECTOR (S/P)
328	WR2X4143	PIN DEFLECTOR DISP (S/P)
329	WR17X2060	WIRE ACTUATOR DISP (S/P)
330	WR2X4145	SPRING (S/P)
331	WR2X4251	RETAINER ACTUATOR WIRE (S/P)
332	WR17X1361	BLADES MOVING DISP (S/P)
333	WR17X1362	BLADES MOVING DISP (S/P)
334	WR17X1363	BLADES MOVING DISP (S/P)
335	WR2X4139	SPACER (S/P)
336	WR17X2216	BLADE STATIONARY DISP (S/P)
337	WR2X4138	SPACER CRUSHER STATIONAR (S/P)
338	WR2X4140	BLADE REST DISP (S/P)
339	WR2X4141	PIN SPIRAL (S/P)
340	WR17X2058	BLADE STATIONARY DISP (S/P)
345	WR17X2760	PLATE FRONT DISP (S/P)
346	WR17X4207	DESCONTINUADO
348	WR2X7783	BLADE IN DISP (S/P)
349	WR2X4550	CUP DRIVE (S/P)
350	WR17X4341	AUGER HELIX DISP (S/P)
352	WR30X257	BUCKET ICE DISP
353	WR2X7905	BUCKET SEAL DISP (S/P)
354	WR17X4310	BUCKET & AUGER ASM DISP (S/P)
360	WR2X8730	DESCONTINUADO
360	WR71X2509	DESCONTINUADO
361	WR17X10221	DESCONTINUADO
362	WR2X8839	BRACKET SHELF (S/P)
363	WR2X8952	SUPPORT TWIST (S/P)
364	WR2X7310	SUPPORT TWIST (S/P)
365	WR2X4854	DRIVE AUGER DISPENSER (S/P)
366	WR1X1547	NUT J (S/P)

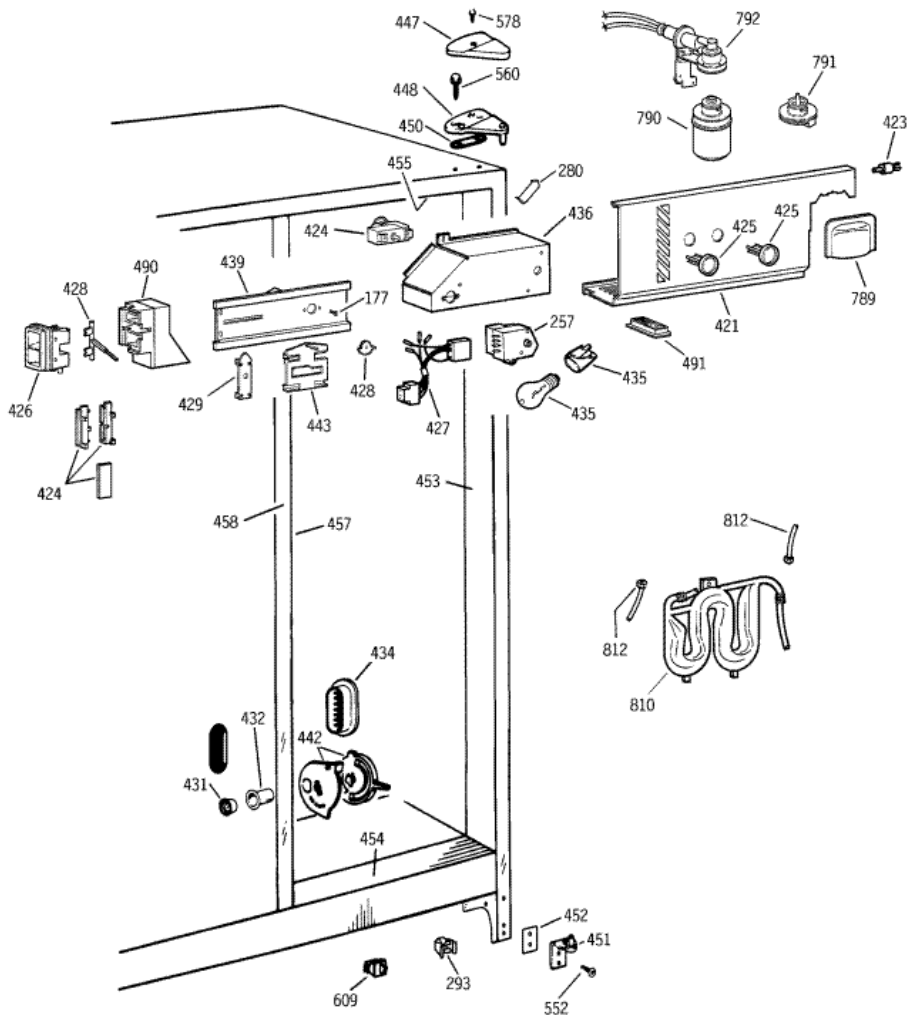
367	WR1X1788	SCR MTR MNT 8-18 TPT 1/4 (S/P)
368	WR2X8459	BRACKET IM MTG (S/P)
369	WR60X10262	MOTOR CRUSHER DISP
375	WR23X10059	HARNESS MOTOR DISP (S/P)
377	WR2X7309	SADDLE SOLENOID (S/P)
378	WR62X58	SOLENOID ARM ASM
379	WR17X1063	SHROUD SOLENOID (S/P)
380	WR17X1064	PLUNGER SOLENOID (S/P)
381	WR2X4257	PIN SPIRAL (S/P)
382	WR2X4258	SPRING SOLENOID LINKAGE (S/P)
383	WR17X1065	COLLAR SOLENOID DISP (S/P)
384	WR17X1066	STIRRUP SOLENOID DISP (S/P)
385	WR2X4259	PIN SPIRAL (S/P)
387	WR17X10339	COVER BUCKET ASM (S/P)
388	WR17X10273	DOOR ICE STORAGE DISP (S/P)
395	WR17X10220	SHIELD FAN (S/P)
435	WR2X9391	SOCKET & TERMINAL ASM
446	WR13X647	HINGE TOP ASM (S/P)
447	WR2X8262	HINGE COVER WH (S/P)
447	WR2X8523	COVER HINGE BK (S/P)
447	WR2X8263	DESCONTINUADO
450	WR2X4194	SHIM HINGE TOP (S/P)
451	WR13X10020	HINGE BTM PIN & CAM ASM
452	WR2X9443	SHIM HINGE BTM .031 (S/P)
456	WR40X1747	BREAKER STRIP L/S FZ (S/P)
552	WR1X10034	SCR 12-24 TT IH .975 S (S/P)
564	WR1X1194	SCR 1/4 14 BA HX 3/4 SN (S/P)
608	WR23X368	SWITCH LIGHT WH (S/P)
610	WR60X10008	MOTOR EVAP FAN (S/P)
611	WR2X10100	BRACKET EVAP FAN (S/P)
612	WR2X10101	BRACKET EVAP FAN (S/P)
613	WR60X114	RING COMPRESSION
613	WR60X10011	BLADE EVAP FAN (S/P)
615	WR2X10098	GROMMET EVAP FAN (S/P)
617	WR2X8349	GROMMET SCR CLOSED (S/P)
820	WR30X10093	IM CRESCENT (S/P)

Distribuidor Autorizado

SurteRápido.com

Venta de Refacciones
Electrodomesticas

TFX22ZPBWW TANQUE DE AGUA





TFX22ZPBWW TANQUE DE AGUA

177	WR1X5034	SCREW 8-18 A HX 1/2 S (S/P)
257	WR9X520	CONTROL DEFROST
280	WR2X8524	CAP CORNER OC (BK) (S/P)
280	WR2X8518	DESCONTINUADO
280	WR2X8519	CAP CORNER OC (AD) (S/P)
293	WR2X7080	CLIP-O. CASE-END CAP (S/P)
421	WR14X433	GASKET LIGHT SHIELD (S/P)
421	WR17X10251	SHIELD LIGHT ASM FF (S/P)
423	WR2X10050	GROMMET SUPPT LT SHIELD (S/P)
424	WR2X10117	PAD FOAM CONTROL TEMP (S/P)
424	WR2X10115	CAPILLARY LOCATOR MALE (S/P)
424	WR2X10116	CAPILLARY LOCATOR FEMALE (S/P)
424	WR9X10016	CONTROL TEMP (S/P)
425	WR2X8398	DESCONTINUADO
426	WR2X8019	DESCONTINUADO
426	WR2X8514	HOUSING NOZZLE (S/P)
427	WR23X316	HARNESS CONT MODULE (S/P)
428	WR2X10113	CONTROL DAMPER (S/P)
428	WR2X8513	GEAR CONTROL TEMP (S/P)
429	WR2X8516	SLIDE DAMPER (S/P)
431	WR2X9299	CAP MULLION DUCT (S/P)
432	WR2X8654	DUCT MULLION (S/P)
434	WR2X9431	DUCT AIR RETURN ASM FF (S/P)
435	WR2X9391	SOCKET & TERMINAL ASM
436	WR2X7736	BRACKET CONTROL MOD (S/P)
439	WR17X2922	CHANNEL CONTROL (S/P)
442	WR17X10060	CONTROL MEAT PAN ASM (S/P)
443	WR2X8570	DESCONTINUADO
447	WR2X8523	COVER HINGE BK (S/P)
447	WR2X8263	DESCONTINUADO
447	WR2X8262	HINGE COVER WH (S/P)
448	WR13X646	HINGE TOP ASM (S/P)
450	WR2X4194	SHIM HINGE TOP (S/P)

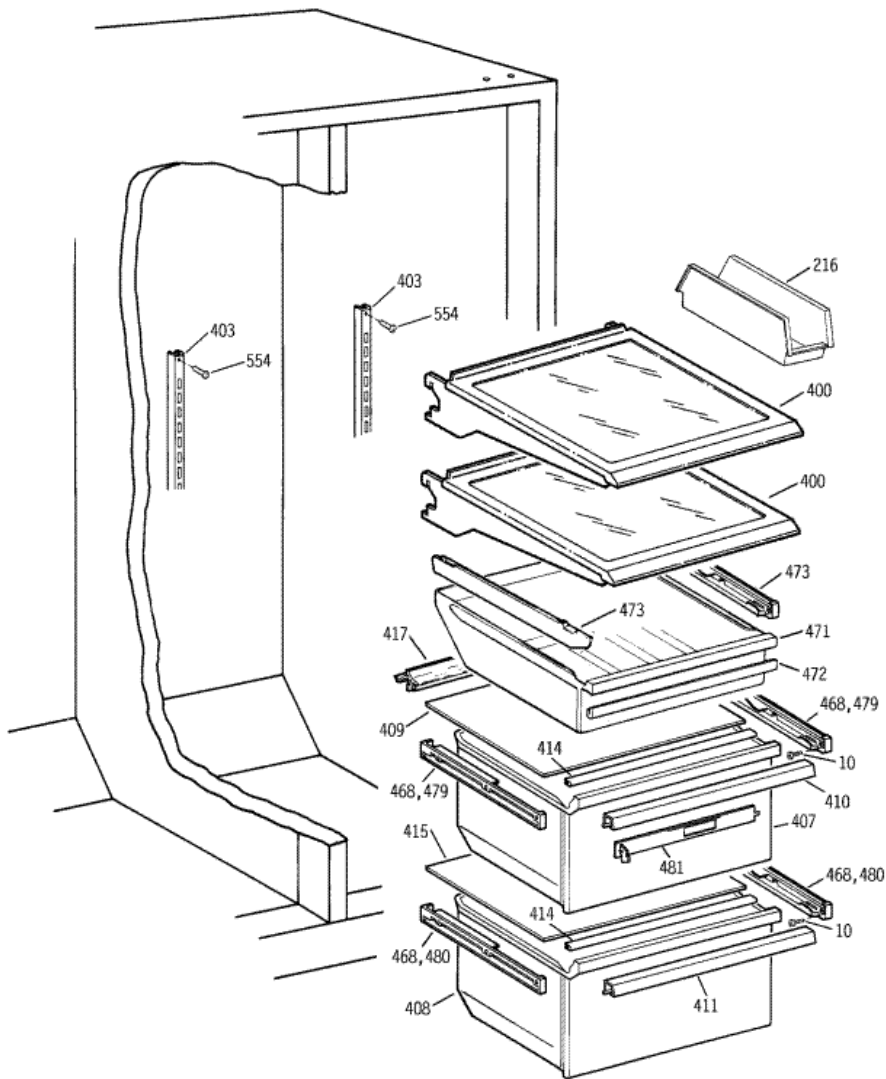
451	WR13X10020	HINGE BTM PIN & CAM ASM
452	WR2X9443	SHIM HINGE BTM .031 (S/P)
453	WR40X1744	BREAKER STRIP R/S FF (S/P)
454	WR40X1745	BREAKER STRIP BTM FF (S/P)
455	WR40X1746	BREAKER STRIP TOP FF (S/P)
457	WR40X1748	BREAKER STRIP L/S FF (S/P)
458	WR40X1749	MULLION WH (S/P)
458	WR02X10334	CLIP MULLION BTM (S/P)
458	WR40X1750	MULLION BK (S/P)
458	WR40X1751	MULLION AD (S/P)
458	WR2X8721	BRACKET MULLION TOP (S/P)
490	WR02X10114	NOZZLE DUCT ASM FF (S/P)
491	WR17X10250	GRILLE LIGHT SHIELD (S/P)
552	WR01X10034	SCR 12-24 TT IH .975 S (S/P)
560	WR01X2140	SCREW (S/P)
578	WZ02X0464	SCREW 8-32 X 3/8 (S/P)
609	WR23X10143	SWITCH LIGHT WH (S/P)
789	WR17X10132	COVER FILTER (S/P)
790	FXRC	CANISTER WATER FILTER (S/P)
791	WR02X10173	FILTER PLUG ASM (S/P)
792	WR17X10450	FILTER HEAD & BRKT ASM (S/P)
810	WR17X3105	WATER TANK DISP ASM
812	WR17X2891	TUBE PLASTIC (S/P)

Distribuidor Autorizado

SurteRápido.com

Venta de Refacciones
Electrodomesticas

TFX22ZPBEWW CAJONES





TFX22ZPBWW CAJONES

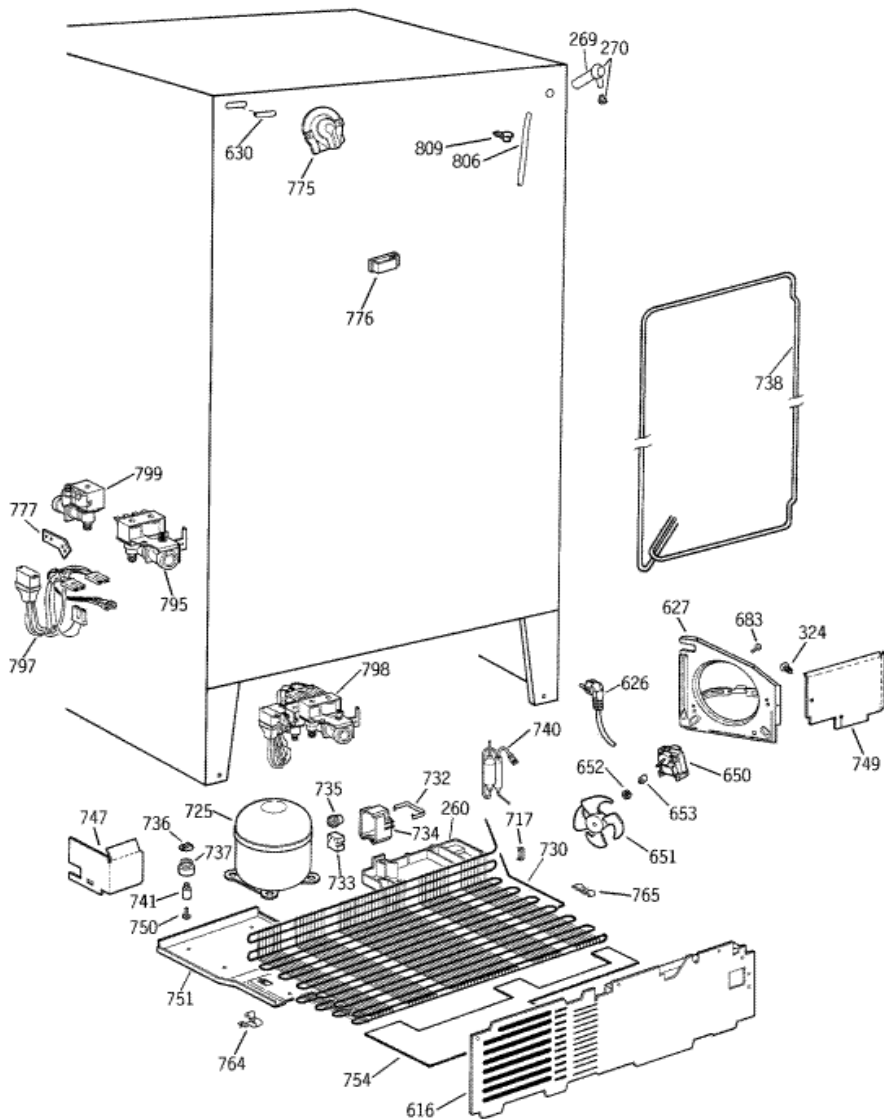
10	WR1X10065	SCR 8-18 BA POR 5/8 SS (S/P)
216	WR32X1575	BUCKET UTILITY CLR (S/P)
400	WR71X2623	SHELF CANT FF ENCAP (S/P)
403	WR71X2588	TRACK CANT SHELF (S/P)
407	WR32X1492	VEG PAN UPPER (S/P)
408	WR32X1493	VEG PAN LOWER (S/P)
409	WR32X1500	COVER PAN GLASS (S/P)
410	WR17X3950	DESCONTINUADO
411	WR17X3951	HANDLE VEG PAN (S/P)
414	WR14X431	GASKET PAN COVER FRT (S/P)
415	WR32X1473	DESCONTINUADO
417	WR14X10032	GASKET SHIELD LOWER (S/P)
468	WR1X2048	BEARING SLIDE LH (S/P)
471	WR32X1339	PAN SNACK CLEAR (S/P)
472	WR38X10111	TRIM BRIGHT SNACK PAN (S/P)
473	WR72X210	SLIDE PAN RH (S/P)
473	WR72X211	SLIDE PAN LH (S/P)
479	WR72X240	SLIDE ASM RH
479	WR72X239	SLIDE ASM LH
480	WR72X252	SLIDE ASM LH
480	WR72X253	SLIDE ASM RH
481	WR1X2079	SLIDE PAN FRONT (S/P)
554	WR1X2141	SCR 10-24 TR HXW I S (S/P)

Distribuidor Autorizado

SurteRápido.com

Venta de Refacciones
Electrodomesticas

TFX22ZPBEWW COMPRESOR





TFX22ZPBWW COMPRESOR

260	WR32X1427	PAN WATER DISPOSAL (S/P)
269	WR2X7927	TUBE WATER FILL I/M (S/P)
270	WR2X4754	CLAMP HOSE (S/P)
270	WR2X8474	GROMMET WATER FILL (S/P)
324	WR2X7051	PLUG BUTTON SM WH (S/P)
324	WR2X7069	PLUG BUTTON LG WH (S/P)
616	WR82X10037	COVER ACCESS ASM (S/P)
626	WR1X5278	CLAMP CABLE (S/P)
626	WR23X10300	POWER CORD (S/P)
627	WR17X10449	HOUSING COND FAN (S/P)
630	WR2X4097	PLUG BUTTON WH (S/P)
630	WR2X8525	PLUG BUTTON BK (S/P)
650	WR60X10026	MTR COND FAN (S/P)
651	WR60X10030	BLADE COND FAN ASM
652	WR2X10323	RING COMPRESSION (S/P)
653	WR2X10322	CAP DUST (S/P)
683	WR1X10127	SCR 8-32 TT PT 5/8 NS (S/P)
717	WR2X10335	CLIP COND (S/P)
725	WR87X10211	COMP REPL KIT (S/P)
730	WR84X188	CONDENSER ASM (S/P)
732	WR2X7226	DESCONTINUADO
733	WR7X10099	PTCR (S/P)
734	WR2X7834	COVER RELAY (S/P)
735	WR8X10005	OVERLOAD (S/P)
736	WR2X8203	CLIP COMPRESSOR MOUNT (S/P)
737	WR2X10099	GROMMET (S/P)
738	WR2X7064	CLIP COND LOOP (S/P)
738	WR84X169	TUBE COND LOOP ASM (S/P)
740	WR86X96	DRYER BIFURCATED XH9 (S/P)
741	WR1X1779	STUD MTG COMPR (S/P)
747	WR17X10427	BAFFLE SIDE ASM (S/P)
749	WR17X4147	DESCONTINUADO
750	WR1X1786	SCR 10-32 TR T 1/2 (S/P)

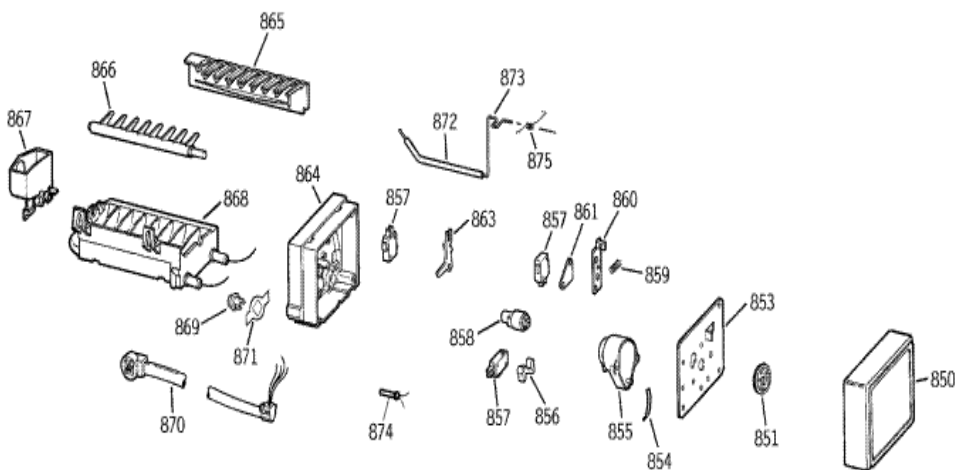
751	WR17X10337	PLATE COMP MTG ASM (S/P)
754	WR82X10066	COND FLOOR BAFFLE (S/P)
764	WR02X9000	CLIP COND (S/P)
765	WR1X1972	CLIP COND (S/P)
775	WR2X10047	COVER WATER LINE (S/P)
776	WR2X10522	CLAMP TUBE (S/P)
777	WR2X10370	BRACKET WATER VALVE (S/P)
795	WR57X10023	WATER VALVE ASM (S/P)
797	WR23X10108	HARNESS (S/P)
798	WR57X10026	BRACKET & VALVE ASM (S/P)
799	WR57X10024	WATER VALVE ASM (S/P)
806	WR17X11349	WATER LINE (S/P)
809	WR1X1936	FASTENER WATER TUBE (S/P)

Distribuidor Autorizado

SurteRápido.com

Venta de Refacciones
Electrodomesticas

TFX22ZPBEWW ICE MAKER





TFX22ZPBWW ICE MAKER

850	WR29X182	COVER WH (S/P)
851	WR29X5162	GEAR (S/P)
853	WR29X5111	DESCONTINUADO
854	WR29X10002	SPRING BEAM (S/P)
855	WR29X10001	MOTOR (S/P)
856	WR29X5118	DESCONTINUADO
857	WR29X5171	SWITCH IM (S/P)
858	WR29X5167	CAM (S/P)
859	WR29X5190	SPRING (S/P)
860	WR29X5189	PLATE VALVE SWITCH (S/P)
861	WR29X5117	DESCONTINUADO
863	WR29X5183	ARM LEVER (S/P)
864	WR29X183	HOUSING (S/P)
865	WR29X160	STRIPPER (S/P)
866	WR29X5174	EJECTOR (S/P)
867	WR29X153	BRNG INLET(FILL CUP) (S/P)
868	WR29X204	MOLD/HEATER ASM (S/P)
869	WR29X157	THERMOSTAT (S/P)
870	WR29X186	WIRE HARNESS (S/P)
871	WR29X158	CLAMP THERMOSTAT (S/P)
872	WR29X191	DESCONTINUADO
873	WR29X5129	ARM SHUT OFF (S/P)
874	WR29X185	THERMAL CUT-OFF (S/P)
875	WH2X930	SCREW 8-18 AB HXW 3/8 (S/P)
875	WR29X5181	SPRING SHUT OFF ARM (S/P)