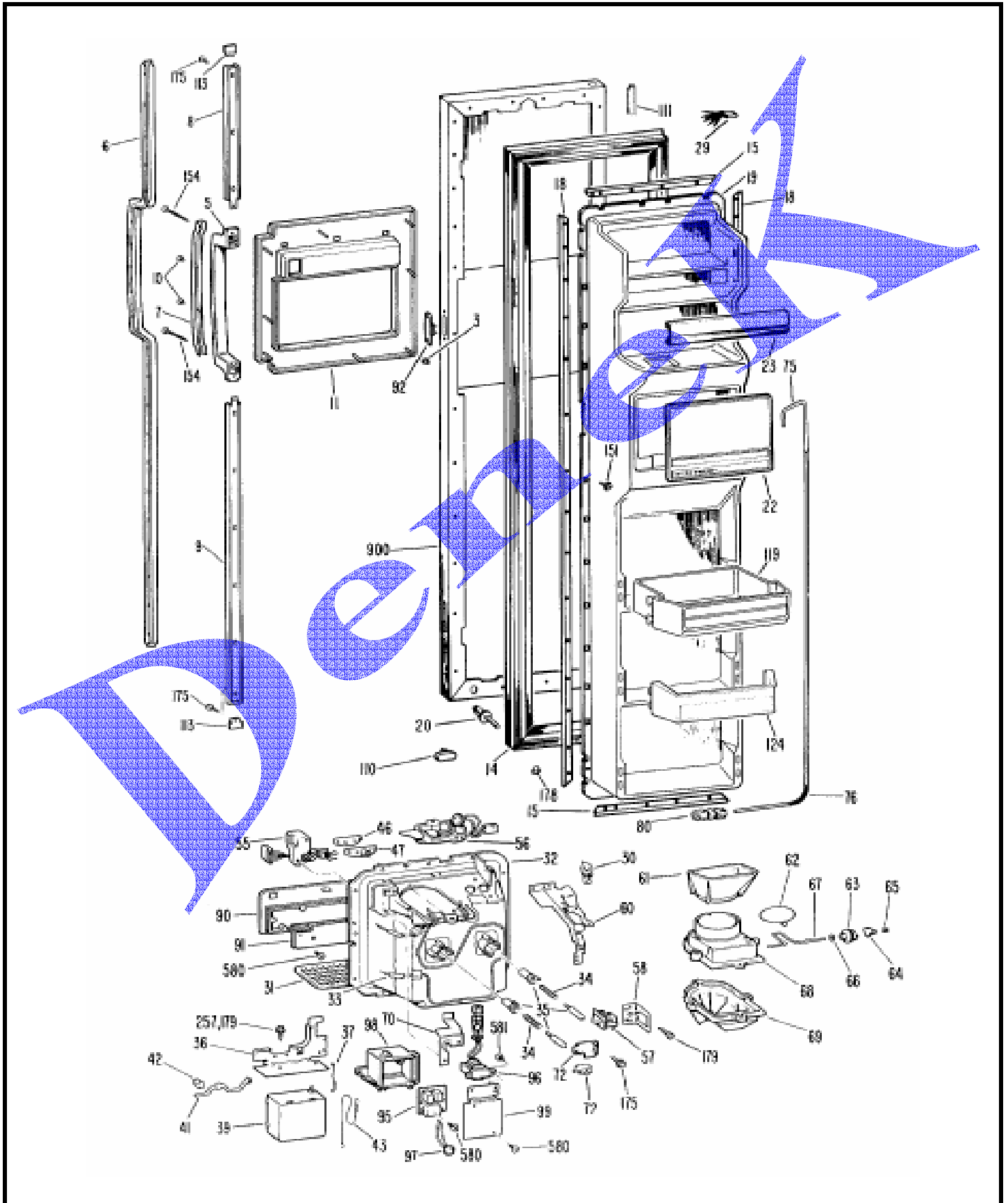


GENERAL ELECTRIC REF TFX27EKC

IMAGEN 1



GENERAL ELECTRIC REF TFX27EKC

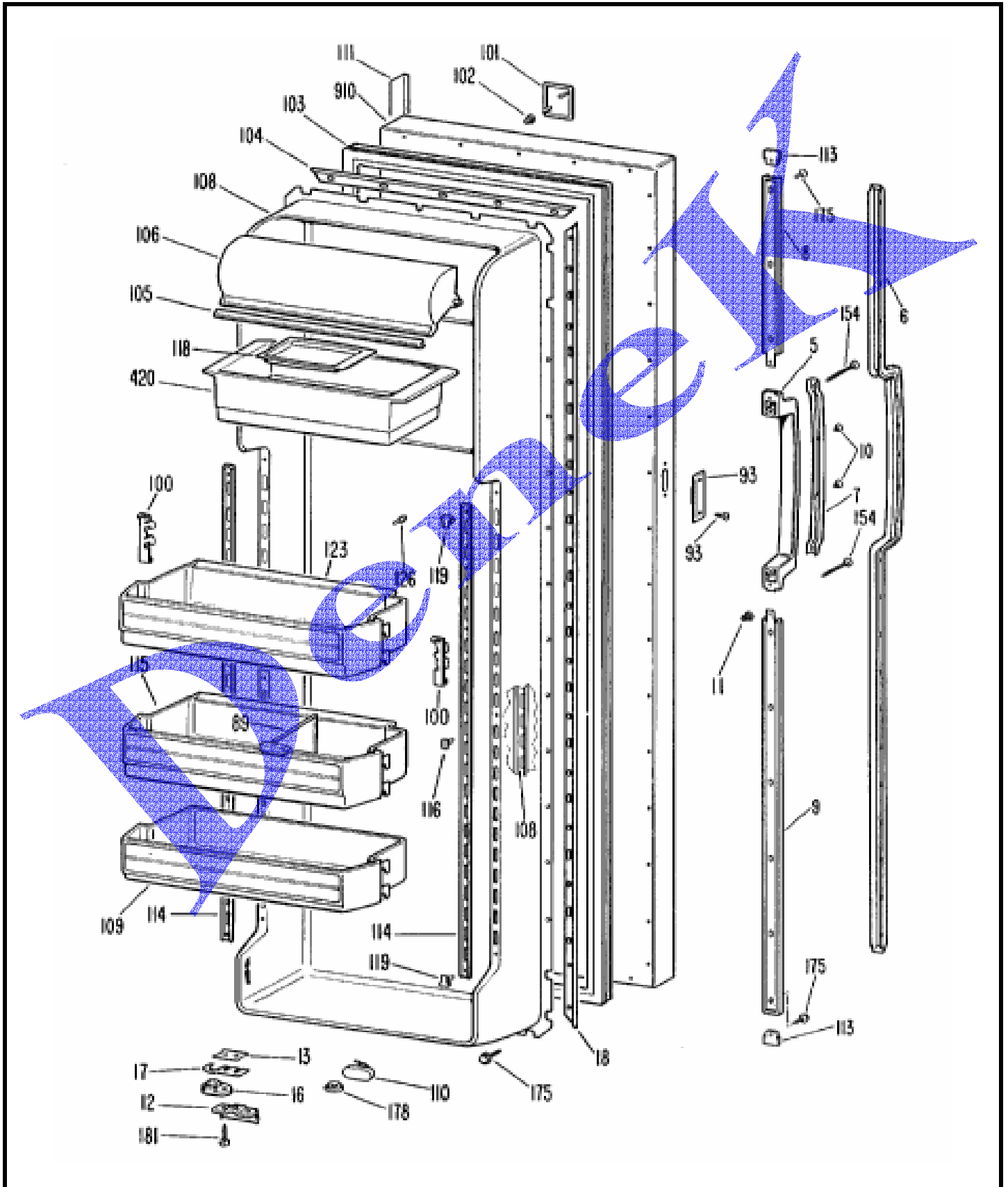
LISTADO DE PARTES

1	31-5024	ATTENTION INSTALLER
3	WR02X3757	FASTENER TUBULAR
5	WR12X0618	HANDLE DOOR
6	WR12X0619	INSERT DR HANDLE(BLK)
7	WR12X0620	STIFFENER HANDLE
8	WR12X0617	CHANNEL HANDLE
9	WR12X0616	CHANNEL HANDLE
10	WR01X1766	SCREW
11	WR01X5469	NUT PAL
11	WR38X1075	TRIM RECESS FRZ
14	WR24X0420	GASKET FRZ O. DOOR
15	WR17X1167	RETAINER STRIP
18	WR17X2092	RETAINER STRIP
19	WR77X0465	DOOR INNER FZ
20	WR23X0161	SWITCH-INTERLOCK-DISP
22	WR17X2112	COVER RECESS REAR ASM
23	WR71X1737	FRONT DOOR SHELF
29	WR49X0308	HARNESS DOOR HINGE FZ
29	WR49X0301	HARNESS O. DOOR RECESS
30	WR02X4571	GROMMET WATER FILL RECES
31	WR02X3953	GRILLE RECESS
32	WR14X0245	GASKET RECESS DISP
32	WR17X2047	RECESS DISPENSER
33	WR51X0313	HEATER RECESS & DUCT ASM
34	WR02X3951	SPRING-RECESS DUCT
35	WR02X6325	PLUNGER SCREW & SLEEVE
36	WR02X4235	PLATE BEARING DISP
37	WR02X4248	SPLICE TIME DELAY DISP
39	WR09X0268	TIME DELAY ASM.
41	WR17X1048	CRANK & RIVET ASM DISP
42	WR02X4234	BEARING CRANK DISP
43	WR02X4069	KEEPER-LANYARD
43	WR02X4237	LANYARD DISP
46	WR02X3950	PAD CRADLE
47	WR02X3948	CRADLE DISP
55	WR23X0306	HARNESS & HOUSING-RECESS
56	WR02X4570	INSULATOR HOUSING
56	WR02X7243	HOUSING & SOCKET ASM
56	STD372071	LAMP 7C7
60	WR02X7244	SUPPORT RECESS SWITCHES
61	WR17X2093	CHUTE ICE
62	WR17X1586	DUCT DOOR W/O LEVER
63	WR17X1457	PULLEY TIME DELAY DISP
64	WR17X1045	ARM TIME DELAY DISP
65	WR02X4595	RING COMPRESSION
66	WR01X1385	WASHER
67	WR02X4814	CRANK DOOR DUCT DISP

68	WR17X1257	DUCT RECESS
68	WR14X0247	GASKET DUCT-L. SIDE
68	WR14X0246	GASKET DUCT-R. SIDE
69	WR17X5881	SHIELD & FUNNEL ASM DISP
70	WR02X7245	SUPPORT SELECTOR SWITCH
72	WR02X7068	SUPPORT SW.
72	WR23X0144	SELECT SWITCH-CUBES/DISP
72	WR02X7237	PLATE MTG-DISP SWITCH
75	WR17X1408	WATER LINE ASM
76	WR02X4633	SPRING PROTECT WIRE/TUBE
80	WR02X4265	CLAMP
80	WR02X7223	NUT & UNION ASM
90	WR55X0019	CONTROL PANEL
91	WR02X7314	CLIP-PLASTIC
91	WR55X0016	BOARD ASM. LOGIC
91	WR02X7313	PLUG SWITCH
92	WR23X0310	SENSOR DOOR FF & FZ
95	WR55X0013	BOARD ASM POWER SUPPLY
96	WR62X0039	TRANSFORMER ASM
97	WR52X0024	THERMISTOR & CONN ASM
98	WR02X7349	HOUSING POWER MODULE
99	WR02X7350	COVER HOUSING-MODULE
110	WR02X4678	SUPPORT TWIST BUMPER
111	WR38X1072	TRIM DOOR
113	WR02X7871	CAP TRIM HANDLE
119	WR71X1754	SHELF DR MODULE ASM
124	WR71X1755	SHELF DR MODULE ASM
151	WR01X1554	SCR 8-18 AB IHXW 1/2 S
153	WR01X1505	SCREW
154	WR01X1765	SCREW
175	WR01X1464	SCR 6-18 SPEC HXW 9/16 S
178	WR02X6058	PLUG BUTTON(.562"DIA.)
179	WZ04X0364	SCREW
257	WZ05X0160	SCREW
257	WR09X0412	CONTROL DEF-SANKYO SEIKI
402	WR38X1305	REFLECTOR SHELF
458	WR02X7031	BRACKET MULLION TOP
458	WR02X7033	BRACKET MULLION BTM.
458	WR02X4739	NUT U
458	WR40X1620	MUILLION & TAB ASM
470	WR02X3139	PLUG BUTTON
580	WZ02X0561	SCR 6-20 AB PH 3/8 S
581	WZ04X0390	SCREW
900	WR78X7819	FZ.O.DR W/TRIM(WH)
900	WR78X7821	FRZ O DOOR (HA)
901	WR78X7820	FZ.O.DR W/TRIM(AD)
32767	49-6405	PM DISPENSER BOOKLET

GENERAL ELECTRIC REF TFX27EKC

IMAGEN 2



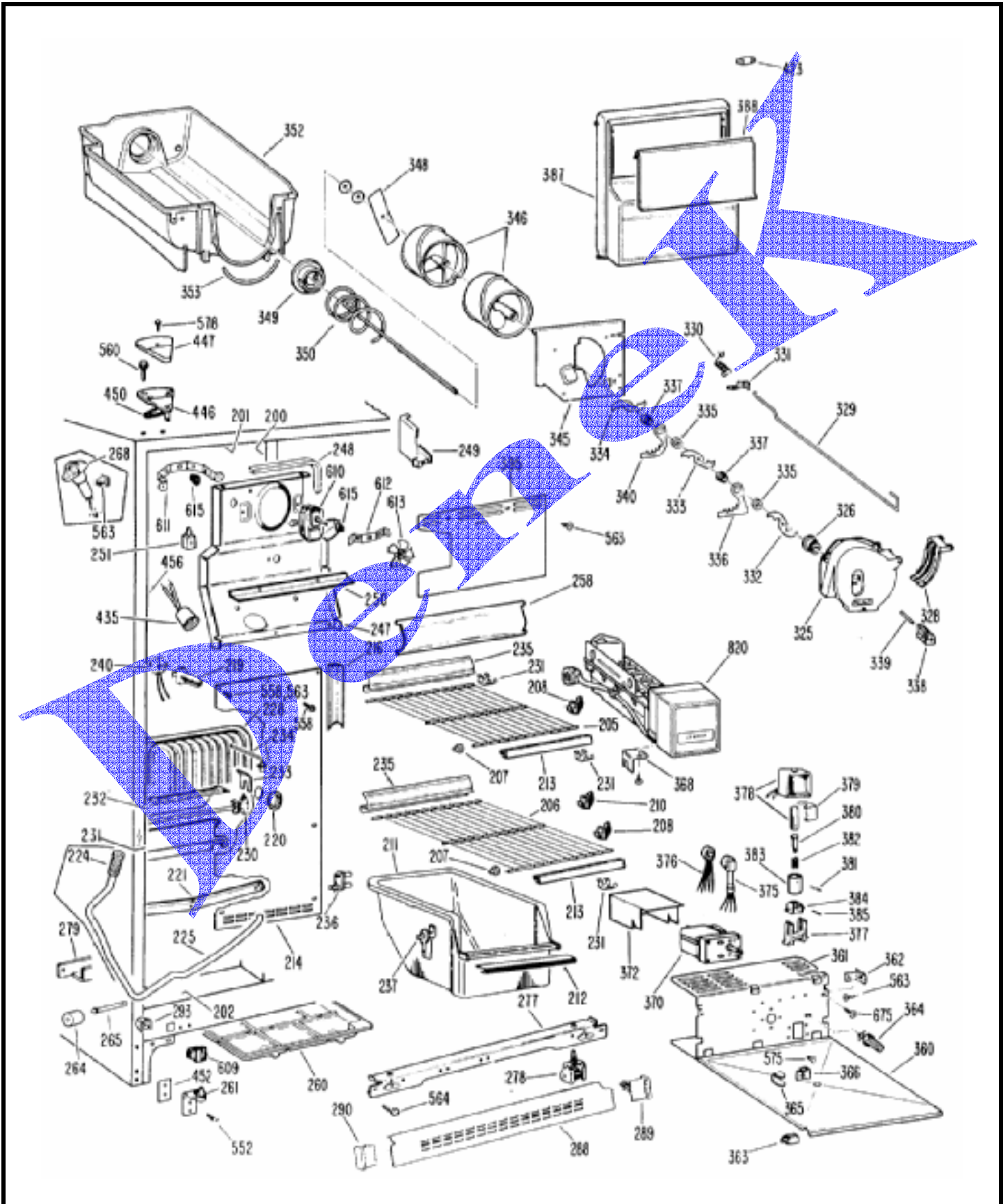
GENERAL ELECTRIC REF TFX27EKC

LISTADO DE PARTES

5	WR12X0618	HANDLE DOOR
6	WR12X0619	INSERT DR HANDLE(BLK)
7	WR12X0620	STIFFENER HANDLE
8	WR12X0617	CHANNEL HANDLE
9	WR12X0616	CHANNEL HANDLE
10	WR01X1766	SCREW
11	WR01X5469	NUT PAL
11	WR38X1075	TRIM RECESS FRZ
12	WR02X7213	STOP DOOR BK
13	WR02X7490	SHIM CAM & DOOR STOP
13	WR02X7489	NUTSTRIP
16	WR02X7512	HINGE CAM RISER
17	WR02X7491	SHIM RISER CAM
18	WR17X2092	RETAINER STRIP
89	WR02X7495	SNUGGER MODULE
93	WR01X1709	SCR 8-18 AB FWH 9/16 SSP
93	WR02X7315	MAGNET DOOR SENSOR
100	WR02X7497	HOOK MODULE L/S
100	WR02X7496	HOOK MODULE R/S
103	WR24X0419	GASKET FF O. DOOR
104	WR17X1168	RETAINER STRIP
105	WR38X1071	TRIM DAIRY DOOR
106	WR22X0332	DOOR DAIRY
108	WR77X0467	DOOR INNER FF
108	WR01X1718	SCREW 6-20 AB PA 1/2 SS
108	WR72X0091	TRACK DOOR INNER
109	WR71X1753	SHELF DOOR REMOVABLE ASM
110	WR02X4678	SUPPORT TWIST BUMPER
111	WR38X1072	TRIM DOOR
113	WR02X7871	CAP TRIM HANDLE
114	WR72X0092	TRACK DOOR SHELF
115	WR71X1752	SHELF DR MODULE ASM
116	WR02X7480	CAP DOOR TRACK
118	WR19X5003	DISH BUTTER
119	WR71X1754	SHELF DR MODULE ASM
123	WR71X1751	SHELF DR MODULE ASM
154	WR01X1765	SCREW
175	WR01X1464	SCR 6-18 SPEC HXW 9/16 S
178	WR02X6058	PLUG BUTTON(.562"DIA.)
181	WZ06X0105	SCREW
420	WR32X0856	BUCKET EGG
910	WR78X8062	FF O.DR W/TRIM AD
910	WR78X8063	FF O.DR W/TRIM HA
910	WR78X8061	FF O.DR W/TRIM WH

GENERAL ELECTRIC REF TFX27EKC

IMAGEN 3



GENERAL ELECTRIC REF TFX27EKC

LISTADO DE PARTES

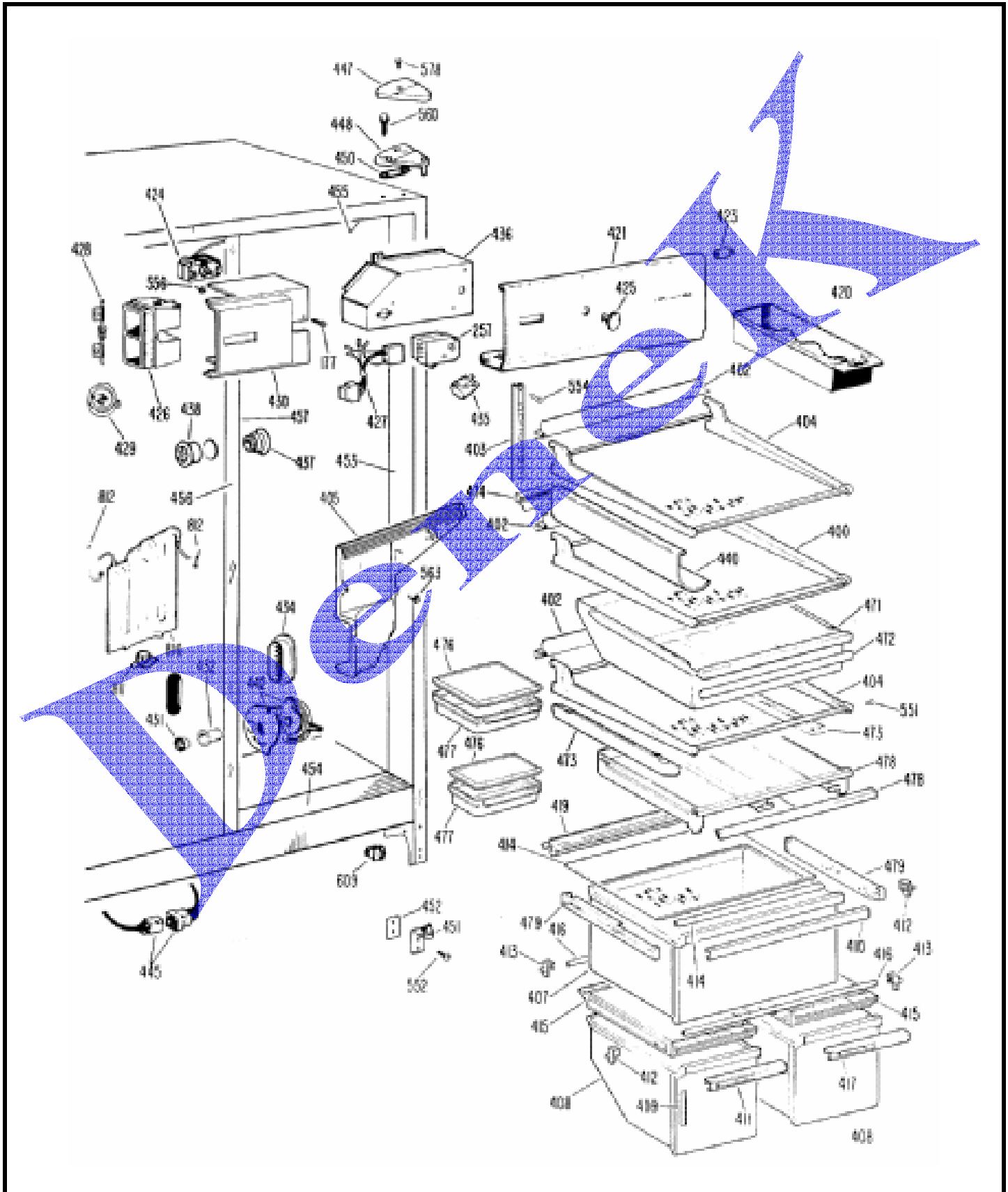
200	WR40X1612	BREAKER STRIP FRZ R/S
201	WR40X1613	BREAKER STRIP FRZ TOP
202	WR40X1614	BREAKER STRIP FRZ BTM
202	WR02X7032	RETAINER BREAKER-BTM.
205	WR71X1649	SHELF FRZ.
206	WR71X1648	SHELF FRZ.
207	WR02X4676	GROMMET SHELF
208	WR02X4674	SUPPORT SHELF
210	WR02X7215	SUPPORT SHELF
211	WR21X0162	BASKET
212	WR17X1980	TRIM HANDLE
213	WR38X1023	TRIM SHELF-TOP
214	WR17X2097	COVER EVAP
214	WR14X0274	GASKET EVAP. COVER
214	WR02X7257	CLIP EVAP COVER
219	WR02X4421	SUPPORT TWIST EVAP
220	WR02X3025	PLUG RECESSED
221	WR02X4545	SEAL
221	WR17X1245	TROUGH DRAIN
224	WR02X4967	TUBE DRAIN
225	WR02X7845	TUBE DRAIN FZ
225	WR02X4838	CLAMP
228	WR85X0201	LOW SIDE ASM
228	WR02X4982	FOAM BLOCK EVAP AIR
228	WR02X4983	FOAM BLOCK EVAP AIR
230	WR51X0258	HEATER DEF ASM
230	WR02X4557	BRACKET DEF HTR
230	WR17X1276	SHIELD DEF HTR END
231	WR02X4944	CLIP SHELF TRIM
231	WR02X3440	CLIP SHELF TRIM
232	WR02X4970	COVER HEATER
236	WR02X4548	SUPPORT BASKET-REAR
237	WR02X7036	SUPPORT BASKET-FRONT
240	WR50X0035	DEFROST THERMOSTAT
247	WR17X2134	ORIFICE EVAP FAN
247	WR02X4845	SUPPORT ORIFICE
248	WR14X0272	FOAM STRIP
249	WR17X1414	BAFFLE AIR OUTLET FZ.
250	WR02X4844	DEFLECTOR EVAP AIR
251	WR02X2880	SUPPORT TWIST
258	WR17X1424	SHIELD LIGHT
260	WR32X0963	PAN WATER DISPOSAL ASM
261	WR13X0581	HINGE BTM PIN & CAM ASM
264	WR02X3594	WHEEL MOBILITY
265	WR02X3598	COTTER PIN
265	WR02X4742	AXLE WHEEL
268	WR23X0307	HARNESS IM ASM

277	WR17X2113	RAIL MACHINE MTG. FRONT
278	WR02X4858	WHEEL ASM FRT
279	WR17X2005	RAIL MACH MTG REAR
288	WR74X0188	GRILLE O CASE(BLK)
288	WR02X7079	BUMPER GRILLE
289	WR02X7474	CAP GRILLE
290	WR02X7475	CAP GRILLE
293	WR02X7080	CLIP-O. CASE-END CAP
325	WR17X2061	HOUSING CRUSHER DISP
326	WR01X1585	NUT AUGER
326	WR01X1367	RETAINER RING E
326	WR01X1366	WASHER
328	WR02X4561	SPRING ICE DEFLECTOR
328	WR17X2059	DEFLECTOR ICE DISP
328	WR02X4143	PIN DEFLECTOR DISP
329	WR17X2060	WIRE ACTUATOR DISP
330	WR02X4145	SPRING
331	WR02X4251	RETAINER ACTUATOR WIRE
332	WR17X1361	BLADES MOVING DISP
333	WR17X1362	BLADES MOVING DISP
334	WR17X1363	BLADES MOVING DISP
335	WR02X4139	SPACER CRUSHER MIDDLE
336	WR17X1009	BLADE STATIONARY DISP
337	WR02X4138	SPACER CRUSHER STATIONAR
338	WR02X4140	BLADE REST DISP
339	WR02X4141	PIN SPIRAL
340	WR17X2058	BLADE STATIONARY DISP
345	WR17X2062	PLATE FRONT DISP
346	WR17X2057	HELIX FRONT-DISP
346	WR17X2056	HELIX REAR-DISP
348	WR02X7351	BLADE IN DISP
349	WR02X4550	CUP DRIVE DISPENSER
350	WR17X2054	AUGER HELIX DISP
352	WR30X0256	BUCKET ICE
353	WR02X4149	SEAL-BUCKET
360	WR71X1729	SHELF BUCKET BTM DISP
360	WR02X4566	PROTECTOR SHELF
361	WR17X2051	COVER MOTOR & SOLENOID
362	WR02X4587	BRACKET SHELF
363	WR02X4465	SUPPORT SHELF
364	WR02X7310	SUPPORT TWIST
365	WR02X4854	DRIVE AUGER DISPENSER
366	WR01X1547	NUT J
368	WR02X7311	BRACKET IM MTG
370	WR60X0111	MOTOR AUGER DISP
372	WR17X1440	SHIELD CRUSHER MTR
375	WR23X0194	HARNESS MOTOR DISP
376	WR23X0189	RECEPTACLE-HARNESS
377	WR02X7309	SADDLE SOLENOID
378	WR62X0026	SOLENOID
379	WR17X1063	SHROUD SOLENOID
380	WR17X1064	PLUNGER SOLENOID
381	WR02X4257	PIN SPIRAL

382	WR02X4258	SPRING SOLENOID LINKAGE
383	WR17X1065	COLLAR SOLENOID DISP
384	WR17X1066	STIRRUP SOLENOID DISP
385	WR02X4259	PIN SPIRAL
386	WZ06X0100	SCREW
387	WR17X2063	COVER & ICE DOOR ASM
388	WR17X2064	DOOR ONLY-ICE STORAGE
388	WR38X1054	TRIM DOOR
395	WR17X2052	SHIELD EVAP. FAN
423	WR02X6347	SUPPORT SHIELD TOP
435	WR02X7270	SOCKET & TERM BK
435	STD372402	LAMP 40W 120V
446	WR13X0584	HINGE TOP ASM
447	WR02X7571	COVER HINGE
447	WR02X7479	INSULATOR HINGE COVER
450	WR02X4194	SHIM HINGE TOP
452	WR02X4497	SHIM HINGE
452	WR02X7143	NUTSTRIP HINGE BTM
456	WR02X5926	RETAINER BREAKER
456	WR40X1617	BREAKER STRIP FRZ L/S
552	WR01X1587	SCREW
558	WZ06X0107	SCREW
560	WR01X1249	SCREW
563	WZ04X0241	SCR 8-18 AB PA 1/2 SS
564	WR01X1194	SCREW
578	WZ02X0503	SCR 8-32 MA PA 3/8 S
609	WR23X0193	SWITCH LIGHT WH
610	WR60X0178	MOTOR EVAP FAN
611	WR02X4792	BRACKET EVAP FAN
612	WR02X7137	BRACKET EVAP FAN
613	WR02X3198	RING EVAP. FAN COMPRESS
613	WR60X0114	FAN BLADE EVAP MOTOR
615	WR02X2945	GROMMET
621	WR02X4546	HARNES DEF HTR
675	WZ06X0094	SCR 8-18 AB TR 5/8SS PLW
820	JS2	ICEMAKER ASM.

GENERAL ELECTRIC REF TFX27EKC

IMAGEN 4



GENERAL ELECTRIC REF TFX27EKC

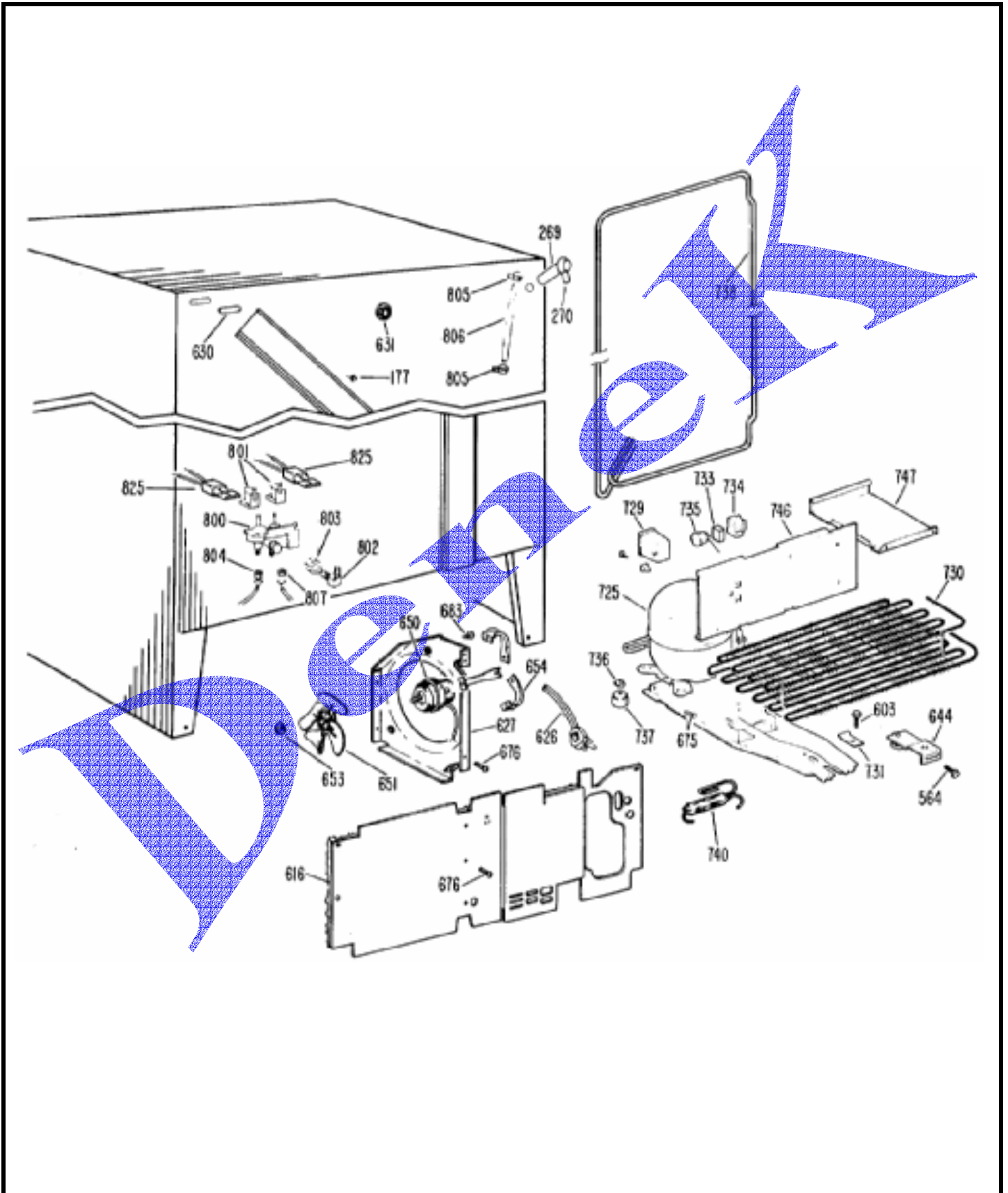
LISTADO DE PARTES

177	WR01X5034	SCREW 8-18 A HX 1/2 S
257	WZ05X0160	SCREW
257	WR09X0412	CONTROL DEF-SANKYO SEIKI
400	WR71X1651	SHELF CANT(SNACK PAN)
402	WR38X0959	REFLECTOR SHELF
403	WR72X0104	TRACK CANT SHELF
404	WR71X1650	SHELF CANT GLASS ASM
404	WR71X1741	SHELF CANT GLASS ASM
405	WR14X0264	TAPE FOAM
405	WR17X1523	DUCT AIR & GASKET ASM FF
407	WR32X0903	PAN UPPER
408	WR32X0901	PAN LOWER
409	WR02X7214	DECAL MEAT PAN
410	WR17X2072	HANDLE & INSERT ASM
411	WR17X1558	HANDLE PAN
412	WR02X4941	SUPPORT-R.REAR/L.FRONT
413	WR02X4942	SUPPORT-L.REAR/R.FRONT
414	WR14X0339	GASKET PAN COVER FRT
414	WR32X0893	COVER PAN GLASS
415	WR32X0676	COVER PAN
416	WR02X4790	RAIL VEG COVER
417	WR17X1557	HANDLE PAN
419	WR14X0341	GASKET PAN COVER REAR
420	WR32X0856	BUCKET EGG
421	WR17X2101	SHIELD LIGHT FF
423	WR02X6347	SUPPORT SHIELD TOP
424	WR09X0359	CONTROL TEMP
425	WR02X7157	KNOB TEMP CONT
426	WR14X0271	GASKET FOAM
426	WR02X3880	HOUSING NOZZLE
426	WR02X4834	INSUL FOAM NOZZLE
427	WR23X0316	HARNESS CONT MODULE
428	WR02X4835	SHAFT DAMPER
429	WR02X4836	KNOB DAMPER
430	WR17X2209	HOUSING CONTROL
430	WR01X5463	CLIP-CONTROL HOUSING
431	WR02X6146	CAP MULLION DUCT
432	WR02X3886	DUCT MULLION
434	WR02X7367	DUCT AIR RETURN ASM FF
435	STD372402	LAMP 40W 120V
435	WR02X7270	SOCKET & TERM BK
436	WR02X7736	BRACKET CONTROL MOD
437	WR02X7476	DUCT MULLION FF
438	WR02X7477	DUCT MULLION FZ
442	WR02X7035	DAMPER ASM.
447	WR02X7479	INSULATOR HINGE COVER
447	WR02X7571	COVER HINGE

448	WR13X0583	HINGE TOP ASM
450	WR02X4194	SHIM HINGE TOP
451	WR13X0582	HINGE BTM PIN & CAM ASM
452	WR02X4497	SHIM HINGE
452	WR02X7143	NUTSTRIP HINGE BTM
453	WR40X1615	BREAKER STRIP FF R/S
454	WR40X1619	BREAKER STRIP FF BTM
455	WR40X1616	BREAKER STRIP FF TOP
456	WR40X1617	BREAKER STRIP FRZ L/S
456	WR02X5926	RETAINER BREAKER
457	WR40X1618	BREAKER STRIP FF L/S
471	WR32X0902	PAN SNACK
472	WR38X0954	TRIM
473	WR17X1516	SLIDE PAN-L. SIDE
473	WR17X1515	SLIDE PAN-R. SIDE
474	WR14X0282	GASKET PAN SNACK
476	WR02X7485	COVER SNACK TRAY DISH LG
476	WR02X7484	COVER SNACK TRAY DISH SM
477	WR17X2318	DISH SNACK TRAY LARGE
477	WR17X2319	DISH SNACK TRAY SMALL
478	WR38X1073	TRIM HDLE LEFTOVER TRAY
478	WR71X1740	TRAY LEFTOVER DISH
479	WR17X2099	FAN ORIFICE
479	WR17X2100	SLIDE PAN L/S
551	WZ04X0244	SCR 8-18 AB RNDW 5/8 SS
552	WR01X1587	SCREW
554	WR01X1483	SCREW
556	WZ02X0460	SCR 8-32 MA TR 1/4 SS
560	WR01X1249	SCREW
563	WZ04X0241	SCR 8-18 AB PA 1/2 SS
578	WZ02X0503	SCR 8-32 MA PA 3/8 S
609	WR23X0193	SWITCH LIGHT WH
810	WR17X2132	WATER TANK DISPENSER ASM
811	WR02X4469	SUPPORT TWIST
812	WR17X1483	TUBE PLASTIC

GENERAL ELECTRIC REF TFX27EKC

IMAGEN 5



GENERAL ELECTRIC REF TFX27EKC

LISTADO DE PARTES

177	WR01X5034	SCREW 8-18 A HX 1/2 S
269	WR02X6087	TUBE WATER FILL
269	WR01X1543	U-NUT
270	WR02X7385	GROMMET
564	WR01X1194	SCREW
626	WR23X0108	POWER CORD
626	WR01X5278	CLAMP CABLE
627	WR17X1488	BAFFLE AIR COND FAN
630	WR02X4097	PLUG BUTTON WH
631	WR02X4968	PLUG RECESSED
631	WR02X4829	SEAL PLUG(1.79 HEX HOLE)
644	WR17X1284	TONGUE ASM
644	WR02X2375	GROMMET
650	WR60X0179	MOTOR COND FAN
651	WR01X1515	NUT LOCKING
651	WR60X0117	FAN BLADE COND MOTOR
651	WR01X1714	WASHER CUSHION
654	WR02X7106	BRACKET COND FAN
675	WZ06X0094	SCR 8-18 AB TR 5/8SS PLW
683	WZ05X0164	SCR FAN MTR/BRKT
725	WR87X0238	HI SIDE
729	WR62X0049	CAPACITOR
730	WR84X0135	CONDENSER ASM.
731	WR02X4850	CLIP CONDENSER
733	WR07X0190	RELAY
734	WR02X7834	COVER RELAY
734	WR02X7226	CLAMP-COVER
735	WR02X7227	CLIP GUARDETTE
735	WR08X0094	GUARDETTE ASM.
736	WR02X7228	CLIP COMP MTG
737	WR02X7238	GROMMET COMP MTG
738	WR02X7064	CLIP COND LOOP
738	WR84X0109	CONDENSER LOOP ASM.
740	WR86X0086	DRYER
746	WR17X2006	BAFFLE COMP FRT
746	WR14X0313	FOAM STRIP
748	WR17X2004	BAFFLE COMP. FLR.
800	WR57X0092	WATER VALVE ASM
801	WR62X0027	COIL ASM-WATER(BLUE)
801	WR62X0044	COIL ASS'Y
802	WR57X0052	ELBOW WATER FITTING
803	WR57X0050	FITTING HOSE
803	WR57X0046	WASHER HOSE FITTING
804	WR02X4046	INSERT
804	WR57X0057	NUT SLEEVE 1/4
805	WR02X3736	STR RELIEF
806	WR17X2107	WATER LINE
807	WR02X4048	NUT & SLEEVE 5/16"
825	WR23X0305	R-C FILTER