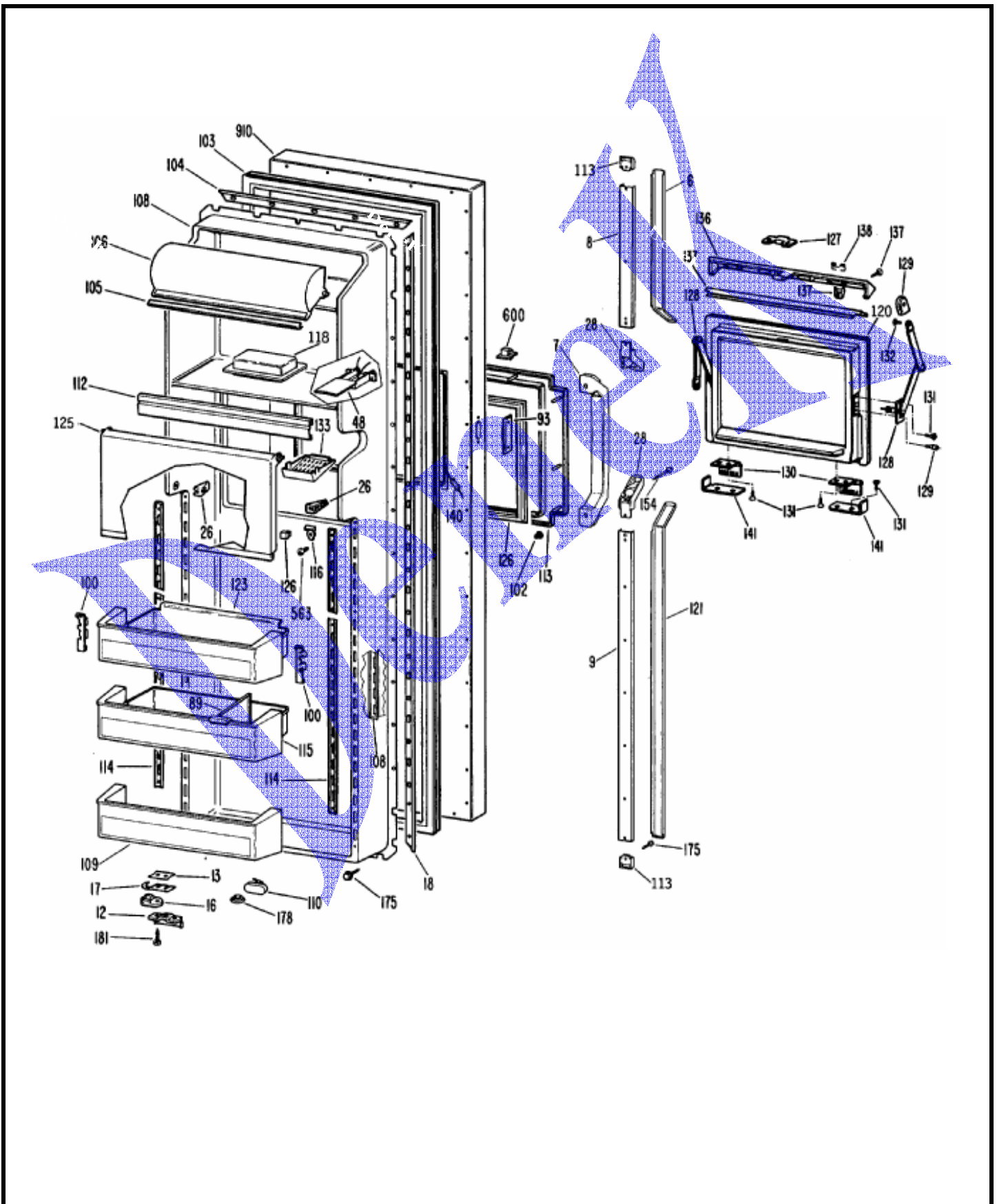


1	49-6697	GUIDE OWNERS
1	31-5024	ATTENTION INSTALLER
1	SR2817	PM MINI MANUAL WIRING
3	WR02X8669	FASTENER TUBULAR
6	WR12X0863	INSERT CHANNEL HANDLE BK
6	WR12X0854	INSERT HANDLE CHANNEL
6	WR12X0853	INSERT HANDLE CHANNEL
7	WR12X0870	HANDLE ASM AD
7	WR12X0871	HANDLE ASM BK
7	WR12X0869	HANDLE ASM WH
8	WR12X0918	CHANNEL HANDLE
9	WR12X0873	CHANNEL HANDLE
10	WR01X1766	SCREW
11	WR01X5469	NUT PAL
11	WR38X1924	TRIM ASM DISP AD
11	WR38X1925	TRIM ASM DISP BK
11	WR38X1838	TRIM ASM DISP WH
14	WR24X0531	GASKET DOOR FRZ BK
14	WR24X0525	GASKET DOOR FRZ WH
14	WZ05X0164	SCR FAN MTR/BRKT
15	WR17X1167	RETAINER STRIP
18	WR17X2092	RETAINER STRIP
19	WR77X0596	DOOR INNER FZ
21	WR17X3094	FRONT DOOR SHELF
22	WR17X3107	COVER RECESS REAR ASM
23	WR17X2985	FRONT DOOR SHELF
28	WR02X8576	CAP END HANDLE
29	WR49X0349	HARNES DR HINGE FZ
31	WR02X8656	GRILLE RECESS CH
32	WR17X3209	RECESS DISP AD
32	WR17X3155	RECESS DISP BK
32	WR17X3102	RECESS DISP WH
33	WR51X0353	HEATER RECESS
36	WR62X0071	SOLENOID & BRACKET ASM
41	WR17X3088	CRADLE ACTUATOR
42	WR02X8650	CLIP WATER GROMMET
45	WR02X8661	RETAINER RECESS DOOR
45	WR01X1854	SCR 5-20 HILO PHR 5/16 S
46	WR02X8726	PAD ACTUATOR AD
46	WR02X8702	PAD ACTUATOR BK
46	WR02X8704	PAD ACTUATOR WH
47	WR02X8727	SUPPORT ACTUATOR PAD AD
47	WR02X8681	SUPPORT ACTUATOR PAD BK
47	WR02X8664	SUPPORT ACTUATOR PAD WH
54	WR17X3099	INSULATION RECESS
56	STD372071	LAMP 7C7
56	WR02X8660	REFLECTOR LAMP SOCKET
56	WR02X8662	SOCKET LAMP
57	WR23X0373	SWITCH LIGHT RECESS AD
57	WR23X0370	SWITCH LIGHT RECESS BK
57	WR23X0367	SWITCH LIGHT RECESS WH

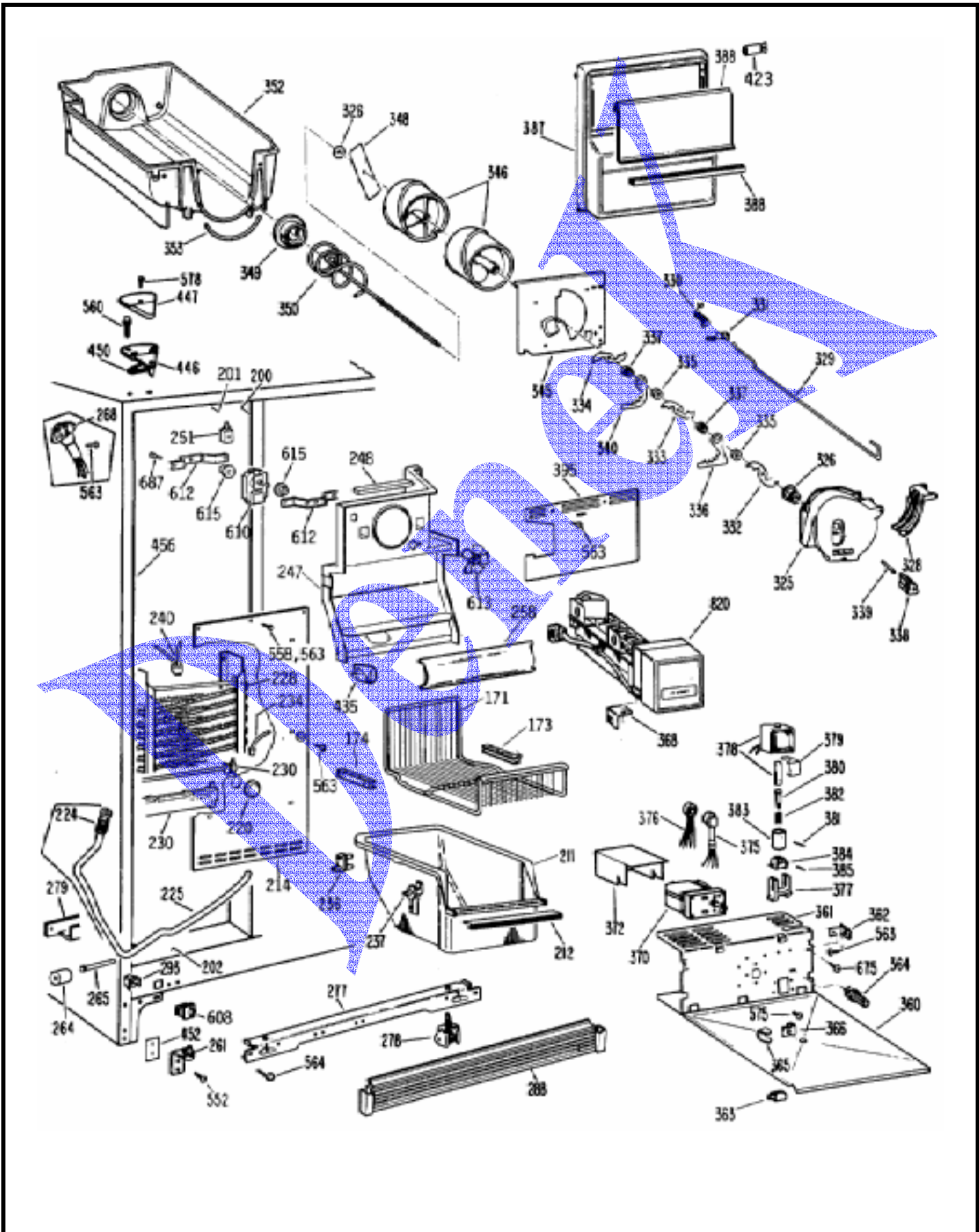
58	WR17X3217	SHIELD RECESS ELECT AD
58	WR17X3109	SHIELD RECESS ELECT WH
58	WR17X3190	SHIELD RECESS ELEC BK
60	WR02X8652	COVER ELECTRONICS
61	WR17X3086	CHUTE ICE
62	WR17X3093	DOOR RECESS ASM
63	WR02X8663	SPRING RECESS DOOR
65	WZ04X0230	SCREW
67	WR17X3089	CRANK DOOR RECESS
69	WR17X3095	FUNNEL RECESS SHIELD BK
70	WR02X8728	SUPT. FUNNEL & GUARD AD
70	WR02X8683	SUPT. FUNNEL & GUARD BK
70	WR02X8688	SUPT. FUNNEL & GUARD WH
71	WR17X3202	DEFLECTOR ICE AD
71	WR17X3171	DEFLECTOR ICE BK
71	WR17X3172	DEFLECTOR ICE WH
72	WR23X0366	SWITCH CRADLE ACTUATOR
75	WR17X3096	GROMMET & TUBE ASM
76	WR02X4633	SPRING PROTECT WIRE/TUBE
80	WR02X4265	CLAMP
80	WR02X8545	NUT & UNION ASM
87	WZ04X0241	SCR 8-18 AB PA 1/2 SS
90	WR55X0056	CONTROL PANEL ASM AD
90	WR55X0057	CONTROL PANEL ASM BK
90	WR55X0058	CONTROL PANEL ASM WH
92	WR23X0371	SENSOR DOOR ASM FZ AD
92	WR23X0372	SENSOR DOOR ASM FZ BK
92	WR23X0346	SENSOR DR FRZ (WH)
95	WR55X0055	MODULE POWER & COVER ASM
97	WR52X0025	THERMISTOR ASM
110	WR02X4678	SUPPORT TWIST BUMPER
113	WR38X1810	TRIM BREAKER FRAME AD
113	WR38X1517	TRIM BREAKER FRAME BK
113	WR38X1557	TRIM BREAKER FRAME WH
113	WR02X7871	CAP TRIM HANDLE
121	WR12X0851	INSERT CHANNEL HANDLE AD
121	WR12X0859	INSERT HANDLE CHANNEL BK
121	WR12X0849	INSERT HANDLE CHANNEL WH
124	WR71X2105	SHELF DOOR MODULE ASM.
151	WR01X1554	SCR 8-18 AB IHXW 1/2 S
153	WR01X1505	SCREW
154	WR01X1765	SCREW
175	WR01X1464	SCR 6-18 SPEC HXW 9/16 S
175	WR01X1853	SCR 4-24 T PHR 3/4 S
178	WR02X6058	PLUG BUTTON(.562"DIA.)
179	WR01X1856	SCR 8-18 HILO PHR 1/2 S
180	WR01X1855	SCR 7-19 HILO FLR 1/2 S
187	WH02X0946	SCR 10-32 M HXW 1/4 S
257	WR09X0489	CONTROL DEFROST
276	WR01X1510	GROMMET SCR
303	WD01X1440	HOUSING TERMINAL
461	WZ06X0136	SCR 8-18 AB HXW 1/2 S

562 WB17X5054 UNKNOWN
562 WX05X0558 SCR 8-32 G TR 5/8 S NS
584 WZ02X0509 UNKNOWN
621 WR02X4495 CONNECTOR W/LEAD
676 WZ04X0263 SCR 10-16 AB HXW 1/2
689 WR01X1598 SCR 8 32 GX HXW 1/2 S DP
690 WR01X1466 SCR 8-32 T HXW 3/8 S
691 WX02X0560 SCR 8-32 D HXW 3/8 SS
692 WZ04X0416 SCR 8-18 AB HXW 3/4
752 WZ04X0345 SCREW 8-18X5/8 HXW
753 WB01K5052 SCREW
782 WB17X5060 TERMINAL BLK ASM (2 PIN)
788 WB17X5079 UNKNOWN
900 WR78X8509 FRZ O. DOOR AD
900 WR78X8528 FRZ O. DOOR BK
900 WR78X8486 FRZ O. DOOR WH
941 WD01X1391 CONNECTOR ELEC. 6 PIN
1458 WB17X5062 TERMINAL BLK ASM (12PIN)
1458 WB17X5061 UNKNOWN



6	WR12X0863	INSERT CHANNEL HANDLE BK
6	WR12X0854	INSERT HANDLE CHANNEL
6	WR12X0853	INSERT HANDLE CHANNEL
7	WR12X0870	HANDLE ASM AD
7	WR12X0871	HANDLE ASM BK
7	WR12X0869	HANDLE ASM WH
8	WR12X0918	CHANNEL HANDLE
9	WR12X0873	CHANNEL HANDLE
12	WR02X4537	STOP DOOR
12	WR02X7213	STOP DOOR BK
13	WR02X7490	SHIM CAM & DOOR STOP
13	WR02X7489	NUTSTRIP
16	WR02X7512	HINGE CAM RISER
17	WR02X7491	SHIM RISER CAM
18	WR17X2092	RETAINER STRIP
26	WR02X7844	SUPPORT RECESS DOOR
28	WR02X8576	CAP END HANDLE
48	WR02X7486	LAMP HOUSING ASM
89	WR02X7957	SNUGGER MODULE
93	WR23X0352	SENSOR DOOR FF (AD)
93	WR23X0356	SENSOR DR FF (BLK)
93	WR23X0347	SENSOR DR FF (WH)
100	WR02X8410	HOOK MODULE L/S
100	WR02X8409	HOOK MODULE R/S
102	WR02X8162	FASTENER TUBULAR
103	WR24X0532	GASKET DOOR FF BK
103	WR24X0526	GASKET DOOR FF WH
104	WR17X1168	RETAINER STRIP
105	WR38X1797	TRIM BRIGHT UTILITY
106	WR22X0378	DOOR DAIRY
108	WR77X0505	DOOR INNER FF
108	WR72X0090	TRACK DOOR INNER
108	WR01X1718	SCREW 6-20 AB PA 1/2 SS
109	WR71X2104	SHELF DOOR REMOVABLE ASM
110	WR02X4678	SUPPORT TWIST BUMPER
112	WR17X2583	FRONT DOOR SHELF
113	WR02X7871	CAP TRIM HANDLE
113	WR38X1810	TRIM BREAKER FRAME AD
113	WR38X1517	TRIM BREAKER FRAME BK
113	WR38X1557	TRIM BREAKER FRAME WH
114	WR72X0088	TRACK DOOR SHELF
115	WR71X2107	SHELF DOOR MODULE ASM
116	WR02X7829	CAP DOOR TRACK
118	WR19X0035	DISH BUTTER ASM
120	WR17X3215	DOOR ASM CMK AD
120	WR17X3216	DOOR ASM CMK COMPLETE BK
120	WR17X3091	DOOR ASM CMK COMPLETE WH
121	WR12X0851	INSERT CHANNEL HANDLE AD
121	WR12X0859	INSERT HANDLE CHANNEL BK
121	WR12X0849	INSERT HANDLE CHANNEL WH
123	WR71X2103	SHELF DOOR MODULE ASM.
125	WR17X3092	DOOR ASM RECESS

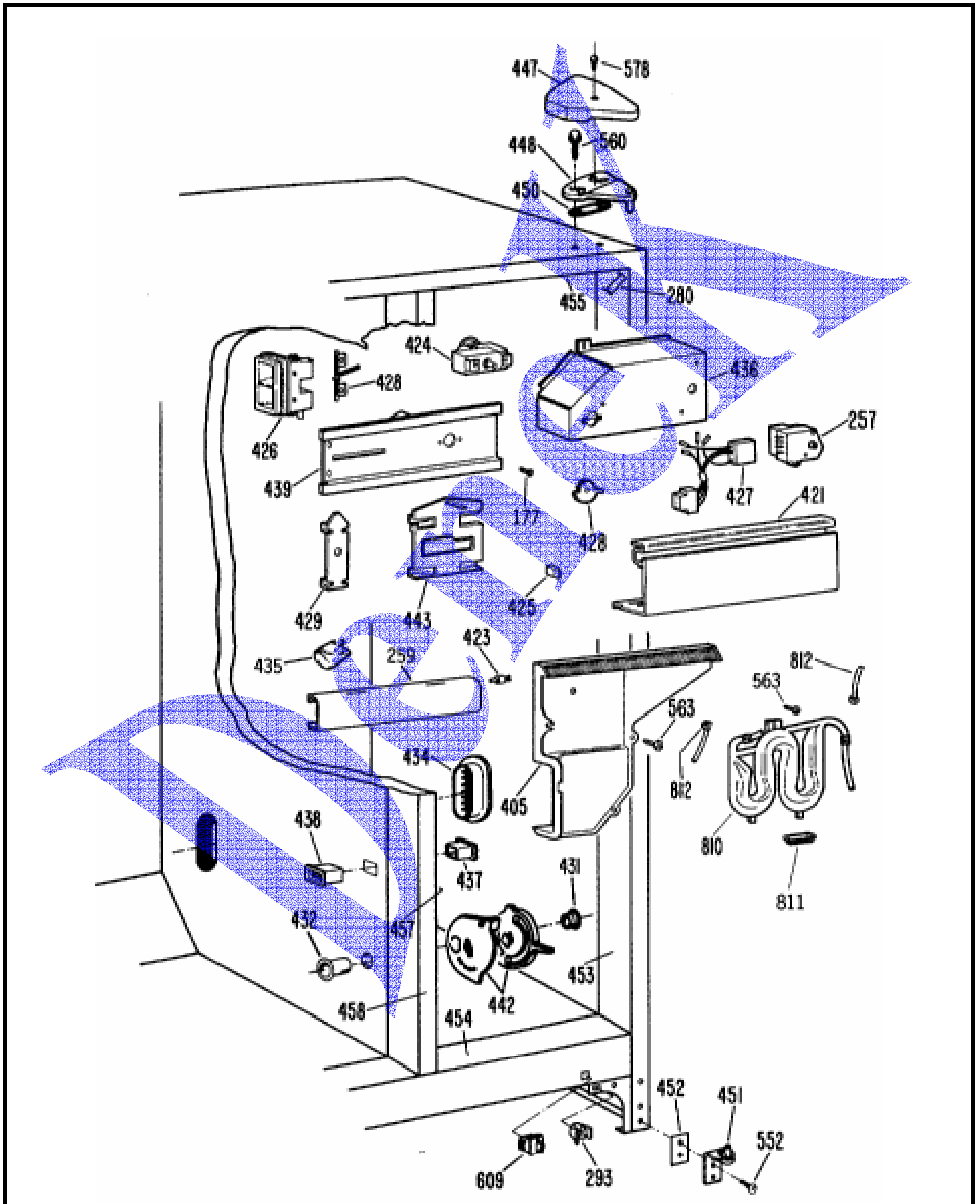
126 WR24X0453 GASKET CMK
126 WR02X7828 BUMPER DOOR RECESS
127 WR02X7830 CATCH CMK
128 WR13X0606 ARM STOP ASM LH
128 WR13X0605 ARM STOP ASM RH
129 WR01X1706 CAP SCREW STOP
129 WR01X1710 WASHER
129 WR01X1760 SLEEVE
130 WR13X0608 HINGE CMK-L.SIDE
130 WR13X0607 HINGE CMK-R.SIDE
131 WR01X1707 SCR 10-24 TX 11/16
132 WR01X1708 SCREW
133 WR17X2096 SHIELD LIGHT CMK
136 WR12X0860 HANDLE CMK AD
136 WR12X0666 HANDLE CMK BK
136 WR12X0737 HANDLE CMK WH
137 WR01X1711 CLIP CMK DOOR
137 WR38X1055 TRIM-HANDLE-CMK DOOR
138 WR02X7353 SPRING CMK DOOR
140 WR51X0360 HEATER BRKR FRAME ASM
141 WR02X8684 BRACKET HINGE
154 WR01X1765 SCREW
175 WR01X1853 SCR 4-24 T PHR 3/4 S
175 WR01X1464 SCR 6-18 SPEC HXW 9/16 S
178 WR02X6058 PLUG BUTTON(.562"DIA.)
181 WZ06X0105 SCREW
600 WR23X0323 SWITCH LIGHT
910 WR78X8508 FF O. DOOR AD
910 WR78X8527 FF O. DOOR BK
910 WR78X8487 FF O. DOOR WH



171	WR71X2352	BASKET WIRE SLIDEOUT FZ
173	WR02X8724	SUPPORT SLIDE BASKET
174	WR02X8667	SUPPORT SLIDE BASKET LH
200	WR40X1666	BREAKER STRIP R/S FRZ
201	WR40X1664	BREAKER STRIP TOP FRZ
202	WR40X1660	BREAKER STRIP BTM FRZ
211	WR21X0190	BASKET CLEAR
212	WR17X3103	TRIM HANDLE BASKET
214	WR17X3106	COVER EVAP
214	WR14X0274	GASKET EVAP. COVER
214	WR01X1332	RIVET-PLASTIC
220	WR02X7926	PLUG BUTTON
224	WR02X8657	GROMMET DRAIN TUBE
225	WR02X8293	TUBE DRAIN
225	WR02X4838	CLAMP
225	WR01X5042	CLAMP HOSE
228	WR85X0283	LOW SIDE ASM
230	WR51X0344	HEATER DEF ASM
230	WR51X0345	HEATER DEF ASM
230	WR02X8647	BRACKET DEF HTR
234	WR23X0364	HARNESS DEF HEATER TOP
234	WR23X0365	HARNESS DEF HTR BTM
236	WR02X4548	SUPPORT BASKET-REAR
237	WR02X7036	SUPPORT BASKET-FRONT
240	WR50X0122	THERMOSTAT DEF
247	WR02X4845	SUPPORT ORIFICE
247	WR17X3100	ORIFICE EVAP FAN
248	WR14X0272	FOAM STRIP
251	WR02X2880	SUPPORT TWIST
258	WR17X1424	SHIELD LIGHT
261	WR13X0618	HINGE BTM PIN & CAM ASM
264	WR02X3594	WHEEL MOBILITY
265	WR02X4742	AXLE WHEEL
265	WR02X3598	COTTER PIN
265	WR02X3595	AXLE WHEEL
268	WR23X0312	IM RECEPACLE
277	WR17X2113	RAIL MACHINE MTG. FRONT
278	WR02X4858	WHEEL ASM FRT
279	WR17X2743	RAIL MACH MTG REAR
288	WR74X0198	GRILLE BASE
288	WR74X0210	GRILLE BASE
288	WR74X0205	GRILLE BASE
293	WR02X7080	CLIP-O. CASE-END CAP
325	WR17X2061	HOUSING CRUSHER DISP
326	WR01X1585	NUT AUGER
326	WR01X1367	RETAINER RING E
326	WR01X1366	WASHER
328	WR02X4561	SPRING ICE DEFLECTOR
328	WR02X4143	PIN DEFLECTOR DISP
328	WR17X2059	DEFLECTOR ICE DISP
329	WR17X2060	WIRE ACTUATOR DISP
330	WR02X4145	SPRING

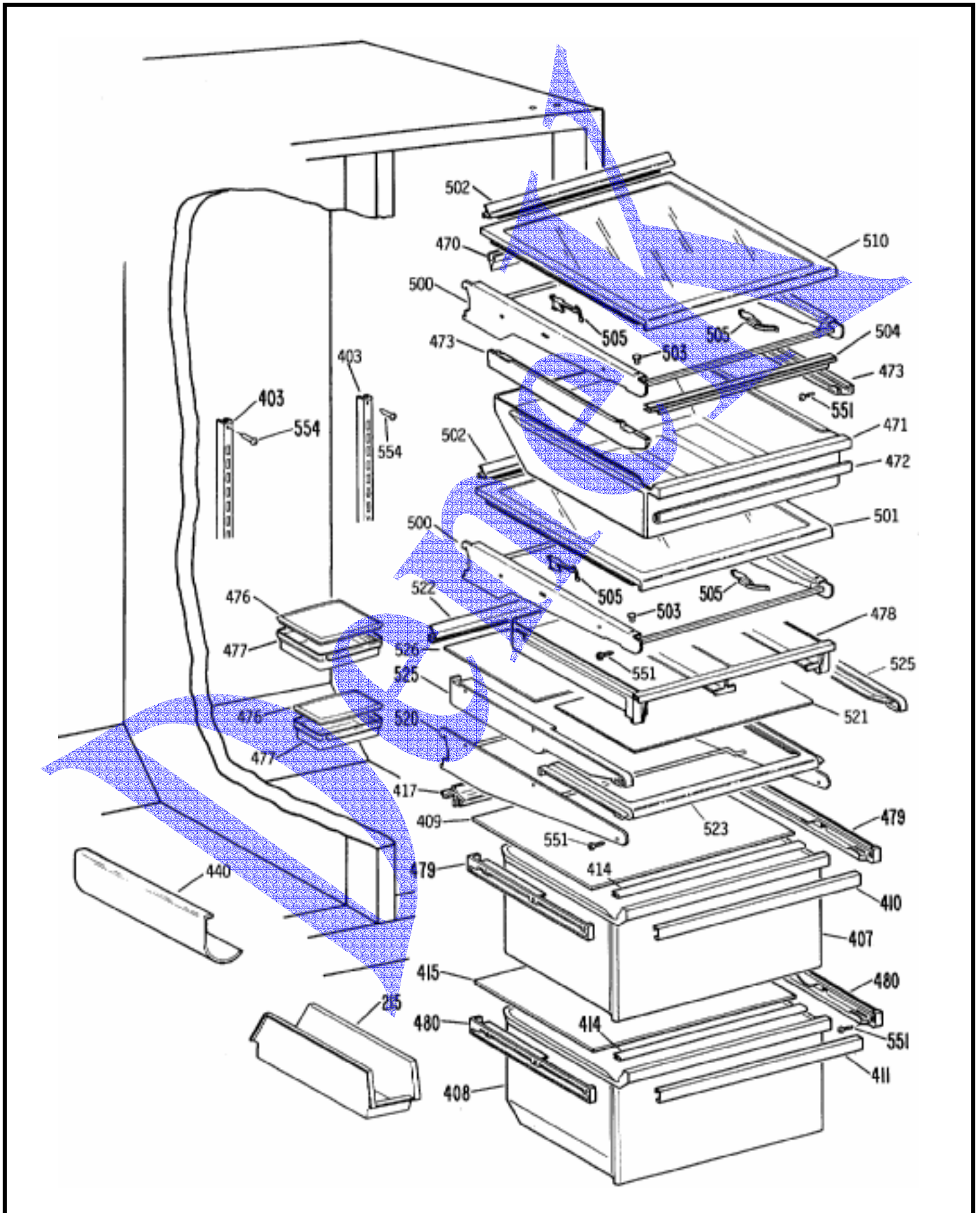
331	WR02X4251	RETAINER ACTUATOR WIRE
332	WR17X1361	BLADES MOVING DISP
333	WR17X1362	BLADES MOVING DISP
334	WR17X1363	BLADES MOVING DISP
335	WR02X4139	SPACER CRUSHER MIDDLE
336	WR17X1009	BLADE STATIONARY DISP
337	WR02X4138	SPACER CRUSHER STATIONAR
338	WR02X4140	BLADE REST DISP
339	WR02X4141	PIN SPIRAL
340	WR17X2058	BLADE STATIONARY DISP
345	WR17X2062	PLATE FRONT DISP
346	WR17X2057	HELIX FRONT-DISP
346	WR17X2056	HELIX REAR-DISP
348	WR02X7351	BLADE IN DISP
349	WR02X4550	CUP DRIVE DISPENSER
350	WR17X2740	AUGER HELIX DISP
352	WR17X2898	BUCKET & AUGER ASM DISP
352	WR30X0256	BUCKET ICE
353	WR02X7905	BUCKET SEAL DISP
360	WR02X4566	PROTECTOR SHELF
360	WR71X2205	SHELF BUCKET BTM DISP
361	WR71X2353	COVER MOTOR & SOLENOID
362	WR02X7936	BRACKET SHELF
363	WR02X4465	SUPPORT SHELF
364	WR02X7310	SUPPORT TWIST
365	WR02X4854	DRIVE AUGER DISPENSER
366	WR01X1547	NUT J
368	WR02X8459	BRACKET IM MTG
370	WR60X0202	MOTOR CRUSHER DISP
370	WR01X1788	SCR MTR MNT 8-18 TPT 1/4
372	WR17X2946	SHIELD CRUSHER MTR
375	WR23X0194	HARNESS MOTOR DISP
376	WR23X0189	RECEPTACLE-HARNESS
377	WR02X7309	SADDLE SOLENOID
378	WR62X0058	SOLENOID ARM ASM
379	WR17X1063	SHROUD SOLENOID
380	WR17X1064	PLUNGER SOLENOID
381	WR02X4257	PIN SPIRAL
382	WR02X4258	SPRING SOLENOID LINKAGE
383	WR17X1065	COLLAR SOLENOID DISP
384	WR17X1066	STIRRUP
385	WR02X4259	PIN SPIRAL
387	WR17X2964	COVER BUCKET ASM
388	WR38X1524	TRIM ICE DOOR
388	WR17X2874	DOOR ICE STORAGE DISP
395	WR17X2905	SHIELD FAN
423	WR02X6347	SUPPORT SHIELD TOP
435	WR02X8265	SOCKET & TERMINAL ASM
435	STD372402	LAMP 40W 120V
446	WR13X0645	HINGE TOP ASM

447 WR02X8534 COVER HINGE (BLK)
447 WR02X8334 COVER HINGE ALMOND
447 WR02X8333 COVER HINGE WHITE
450 WR02X4194 SHIM HINGE TOP
452 WR02X7143 NUTSTRIP HINGE BTM
456 WR40X1662 BREAKER STRIP L/S FRZ
476 WR02X8021 COVER SNACK DISH LG
552 WR01X1587 SCREW
560 WR01X1806 SCREW
560 WR01X1249 SCREW
564 WR01X1194 SCREW
578 WZ02X0503 SCR 8-32 MA PA 3/8 S
608 WR23X0369 SWITCH LIGHT BK
608 WR23X0368 SWITCH LIGHT WH
610 WR60X0188 MOTOR EVAP FAN
612 WR02X8549 BRACKET EVAP FAN
613 WR02X3198 COMP. RING, EVAP. FAN
613 WR60X0114 FAN BLADE EVAP MOTOR
615 WR02X2945 GROMMET
820 WR30X0289 IM CRESCENT

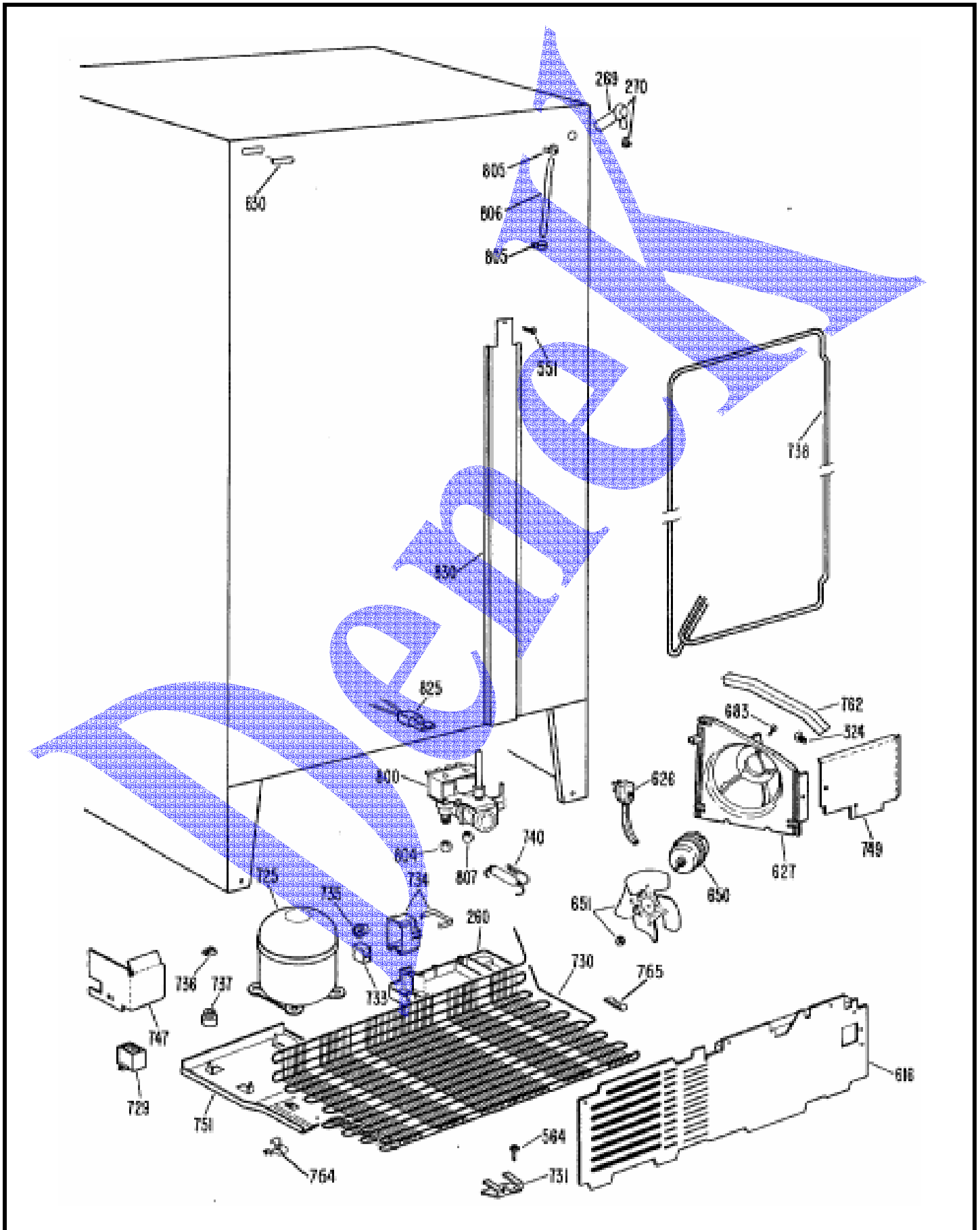


177	WR01X5034	SCREW 8-18 A HX 1/2 S
257	WR09X0489	CONTROL DEFROST
259	WR17X2555	SHIELD LIGHT
280	WR02X8519	CAP CORNER OC (AD)
280	WR02X8524	CAP CORNER OC (BK)
280	WR02X8518	CAP CORNER OC (WH)
293	WR02X7080	CLIP-O. CASE-END CAP
405	WR17X1523	DUCT AIR & GASKET ASM FF
405	WR14X0264	TAPE FOAM
421	WR17X2975	SHIELD LIGHT FF
423	WR02X6347	SUPPORT SHIELD TOP
424	WR09X0499	CONTROL TEMP
425	WR02X8398	KNOB CONTROL
426	WR02X8514	HOUSING NOZZLE
426	WR02X8425	INSUL FOAM NOZZLE
426	WR14X0369	GASKET FOAM
427	WR23X0357	HARNESS CONTROL MOD
428	WR02X8513	GEAR CONTROL TEMP
428	WR02X8569	CONTROL DAMPER
429	WR02X8516	SLIDE DAMPER
431	WR02X8722	CAP MULLION DUCT
432	WR02X8654	DUCT MULLION
434	WR02X8653	DUCT AIR RETURN ASM FF
435	STD372402	LAMP 40W 120V
435	WR02X8265	SOCKET & TERMINAL ASM
436	WR02X7736	BRACKET CONTROL MOD
437	WR02X7476	DUCT MULLION FF
438	WR02X8655	DUCT MULLION FZ
439	WR17X2922	CHANNEL CONTROL
442	WR02X8651	CONTROL MEAT PAN ASM
443	WR02X8570	RACK CONTROL TEMP
447	WR02X8534	COVER HINGE (BLK)
447	WR02X8334	COVER HINGE ALMOND
447	WR02X8333	COVER HINGE WHITE
448	WR13X0644	HINGE TOP ASM
450	WR02X4194	SHIM HINGE TOP
451	WR13X0621	HINGE BTM PIN & CAM ASM
452	WR02X7143	NUTSTRIP HINGE BTM
453	WR40X1661	BREAKER STRIP R/S FF
454	WR40X1659	BREAKER STRIP BTM FF
455	WR40X1663	BREAKER STRIP TOP FF
457	WR40X1665	BREAKER STRIP L/S FF
458	WR02X7033	BRACKET MULLION BTM.
458	WR02X8721	BRACKET MULLION TOP
458	WR40X1686	MULLION AD
458	WR40X1687	MULLION BK
458	WR40X1667	MULLION WH

458	WR02X4739	NUT U
552	WR01X1587	SCREW
560	WR01X1806	SCREW
560	WR01X1249	SCREW
578	WZ02X0503	SCR 8-32 MA PA 3/8 S
609	WR23X0193	SWITCH LIGHT WH
609	WR23X0353	SWITCH LIGHT BK
810	WR17X3105	WATER TANK DISP ASM
811	WR02X8659	PLUG RECESSED
812	WR17X3104	TUBE PLASTIC



215 WR32X1243 BUCKET EGG
403 WR72X0189 TRACK CANT SHELF
407 WR32X1221 PAN UPPER
408 WR32X1222 PAN LOWER
409 WR32X1301 COVER PAN GLASS
410 WR17X3097 HANDLE VEG PAN
411 WR17X3098 HANDLE VEG PAN
414 WR14X0406 GASKET PAN COVER FRT
415 WR32X0886 COVER PAN GLASS
417 WR02X7359 COVER REAR
440 WR17X3181 WINE RACK PACK ASM
470 WR14X0420 GASKET PAN
471 WR02X8349 GROMMET SCR CLOSED
471 WR32X1339 PAN SNACK CLEAR
472 WR38X1769 TRIM BRIGHT SNACK PAN
473 WR72X0211 SLIDE PAN LH
473 WR72X0210 SLIDE PAN RH
476 WR02X8022 COVER SNACK DISH SM
477 WR17X2978 DISH SNACK LARGE
477 WR17X2979 DISH SNACK TRAY SMALL
478 WR71X2288 TRAY & INSERT ASM
479 WR72X0207 SLIDE ASM LH
479 WR72X0231 SLIDE ASM LH
479 WR72X0206 SLIDE ASM RH
479 WR72X0230 SLIDE ASM RH
480 WR72X0208 SLIDE ASM RH
480 WR72X0209 SLIDE ASM LH
500 WR71X2241 SHELF CANT SPILLPRF
501 WR32X1265 FRAME ASM SPILLPROOF
502 WR38X1791 REFLECTOR SPILLPRF
503 WR02X8573 BEARING SPILLPRF
504 WR14X0413 SEAL PAN FRONT
505 WR02X8575 SHELF STOP SPILLPRF LH
505 WR02X8574 SHELF STOP SPILLPRF RH
510 WR71X2243 SHELF CANT SPILLPRF SNK
520 WR71X2246 SHELF CANT TUCKAWAY
521 WR32X1267 SHELF GLASS TUCKAWAY
522 WR38X1792 REFLECTOR TUCKAWAY
523 WR71X2248 SHELF FRAME TUCKAWAY
525 WR72X0219 SLIDE TUCKAWAY LH
525 WR72X0218 SLIDE TUCKAWAY RH
526 WR32X1268 SHELF GLSS TUCKAWAY REAR
551 WZ04X0244 SCR 8-18 AB RNDW 5/8 SS
554 WR01X1483 SCREW



260	WR32X1300	PAN WATER DISPOSAL
269	WR02X8668	TUBE WATER FILL
270	WR02X7385	GROMMET
270	WR01X5223	CLAMP HOSE
324	WR02X7069	PLUG BUTTON LG WH
551	WZ04X0244	SCR 8-18 AB RNDW 5/8 SS
564	WR01X1194	SCREW
616	WR82X0323	COVER ACCESS ASM
626	WR01X5278	CLAMP CABLE
626	WR23X0108	POWER CORD
627	WR17X3108	HOUSING COND FAN
630	WR02X8525	PLUG BUTTON BK
630	WR02X4097	PLUG BUTTON WH
650	WR60X0187	MOTOR COND FAN
651	WR01X1515	NUT LOCKING
651	WR60X0212	BLADE COND FAN ASM
651	WR01X1714	WASHER
683	WR01X1825	SCREW
725	WR87X0425	HIGH SIDE ASM
729	WR62X0052	CAPACITOR
730	WR84X0164	CONDENSER ASM
731	WR02X4850	CLIP CONDENSER
733	WR07X0190	RELAY
734	WR02X7834	COVER RELAY
734	WR02X7226	CLAMP-COVER
735	WR08X0114	OVERLOAD
736	WR02X8583	CLIP COMP MTNG
737	WR02X7238	GROMMET COMP MTG
738	WR02X7064	CLIP COND LOOP
738	WR84X0168	TUBE COND LOOP ASM
740	WR86X0086	DRYER
747	WR17X3123	BAFFLE PAPER SHIELD
749	WR17X3085	BAFFLE SIDE DISCHARGE
751	WR17X3101	PLATE COMP MTG
762	WR02X7493	FOAM STRIP SE ADH
765	WR02X8649	CLIP COND
800	WR57X0098	WATER VALVE ASM.
804	WR57X0057	NUT & SLEEVE
804	WR02X4046	INSERT
805	WR02X3736	CLAMP TUBE
806	WR17X2107	WATER LINE
807	WR02X4048	NUT & SLEEVE 5/16"
825	WR23X0305	R-C FILTER
830	WR17X3167	COVER WIRING CASE RR BK
830	WR17X3087	COVER WIRING CASE RR WH