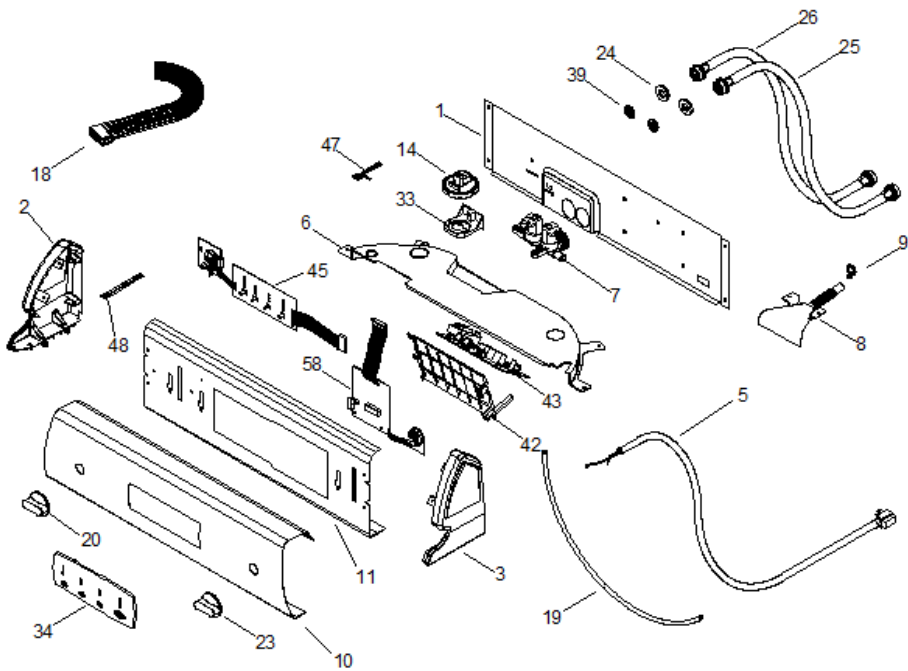
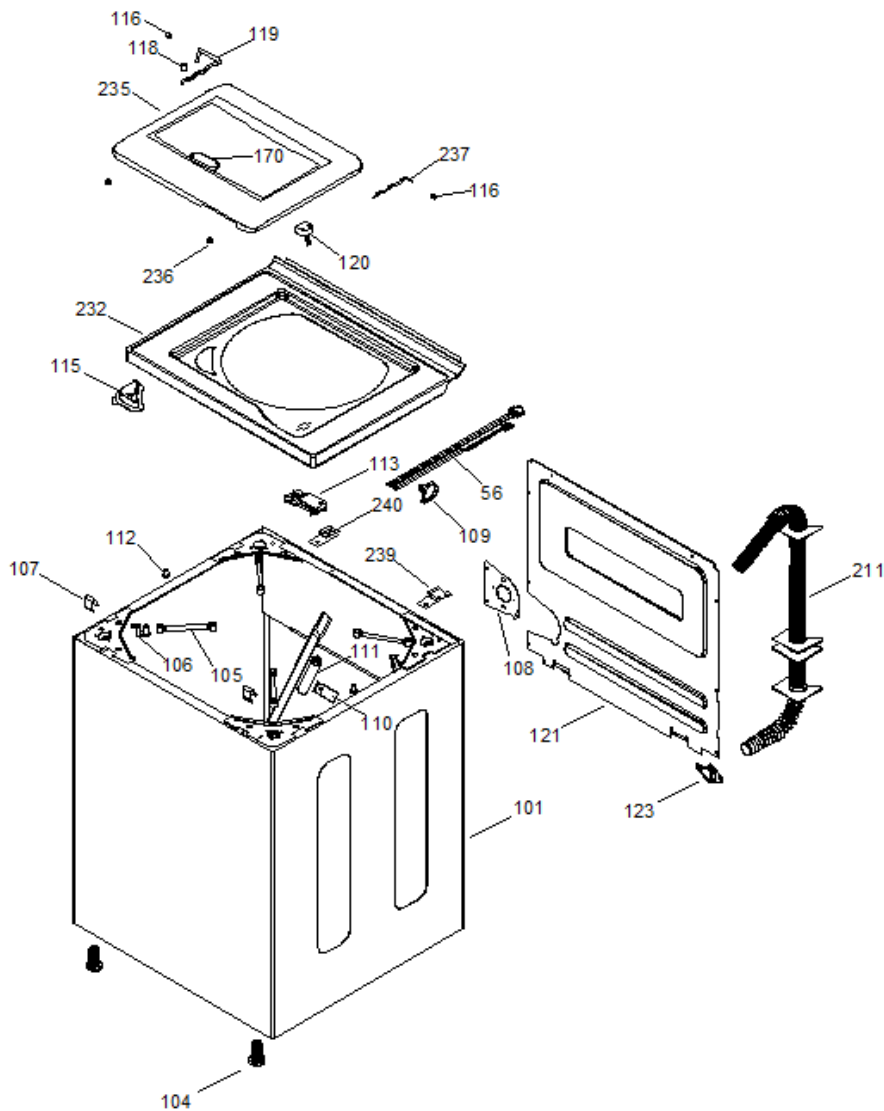


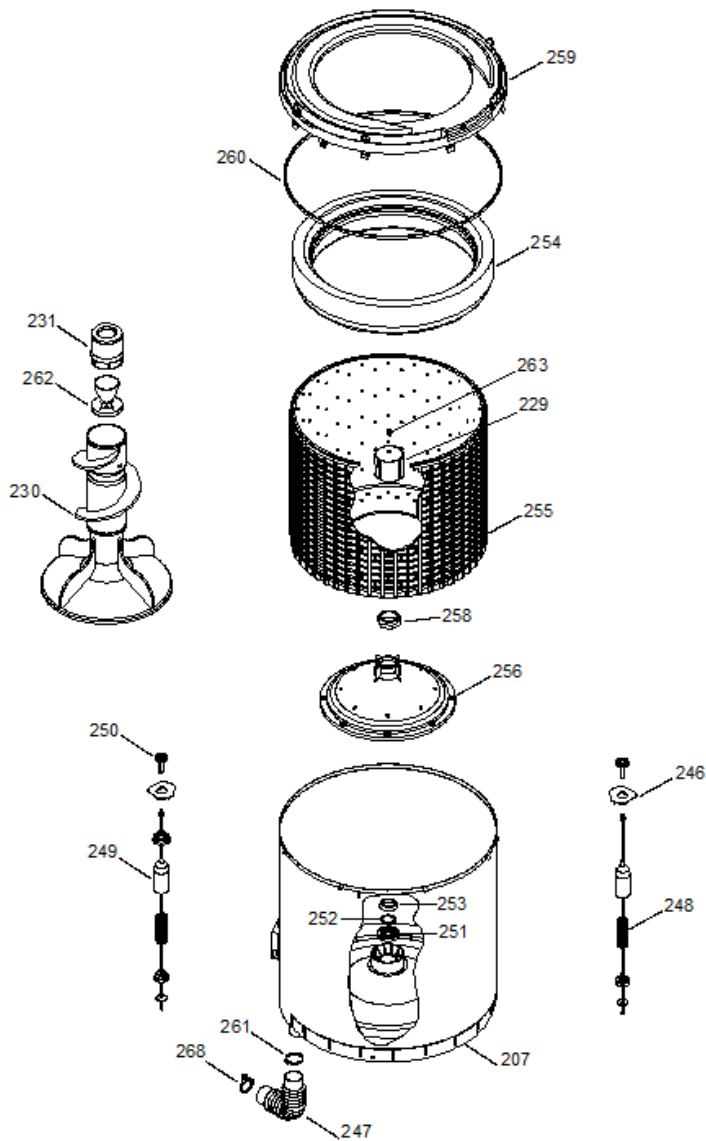
TL220BM0



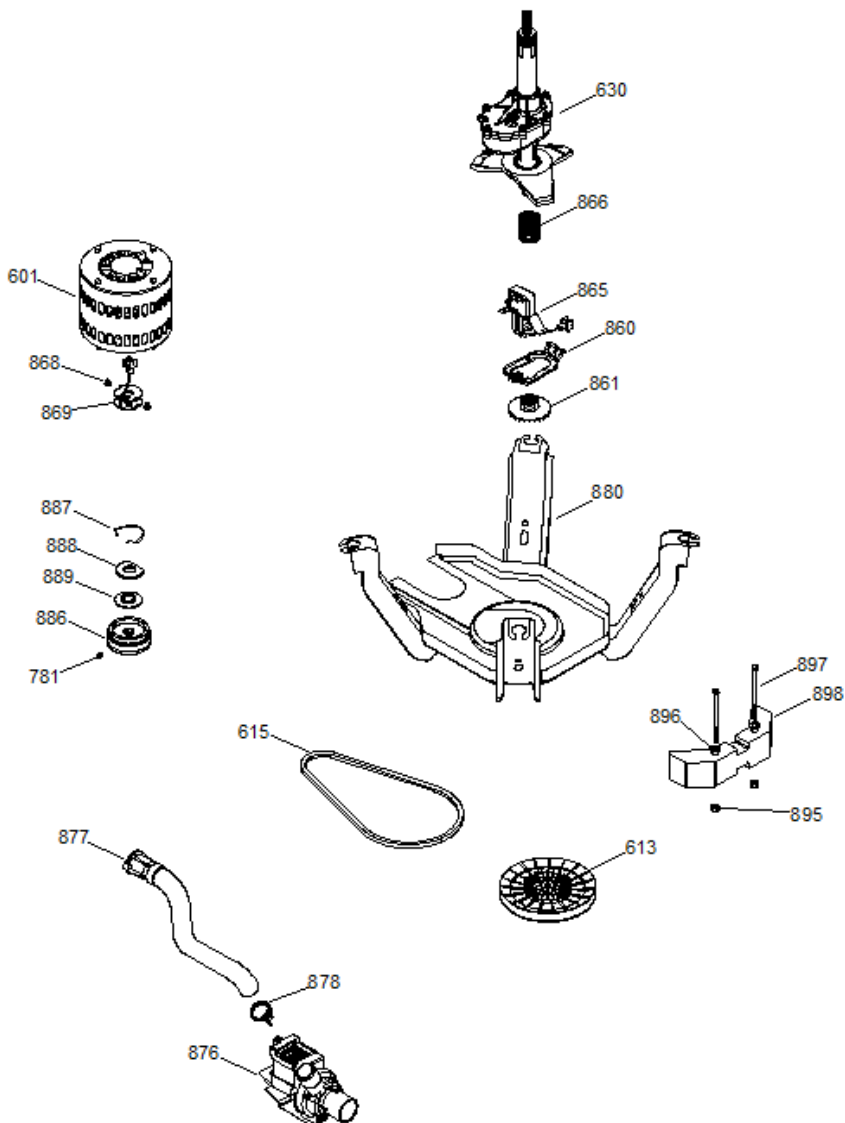
TL220BM0



TL220BM0



TL220BM0





TL220BM0

| | | |
|-----|--------------|--------------------------------|
| 1 | 189D2096P001 | RESPALDO COPETE UP SWEEP |
| 2 | 189D2263P003 | REMATE COPETE DER. (BCO.) |
| 3 | 189D2263P001 | REMATE COPETE IZQ. (BCO.) |
| 5 | 189D1846P001 | CABLE TOMACORRIENTE C/TIERRA |
| 6 | 189D1017P001 | SOPORTE VALVULAS |
| 7 | 189D1664G001 | VALVULA DE AGUA (127 V) |
| 8 | 189D1455P001 | ENTRADA MANGUERA DE AGUA |
| 9 | 109B8787P014 | ABRAZADERA ENTRADA DE AGUA |
| 10 | 189D2167G001 | VISTA DECORATIVA TL220BM (BCA) |
| 11 | 189D2076P002 | SOPORTE CONTROLES 27" |
| 14 | 323B2040P001 | PRESOSTATO ELECTRONICO |
| 18 | 189D2088G001 | ARNES PRINCIPAL |
| 19 | 323B1277P002 | MANGUERA PRESOSTATO LARGA |
| 20 | 189D1233G003 | PERILLA ROTATORIA GE ENS.(BCA) |
| 23 | 189D1235G003 | PERILLA CONTROL GE ENS.(BCA.) |
| 24 | 603600 | EMPAQUE MANGUERA LLENADO |
| 25 | 141A6384G058 | MANGUERA LLENADO AGUA CALIENTE |
| 26 | 141A6384G059 | MANGUERA LLENADO AGUA FRIA |
| 33 | 228C2041P001 | SOPORTE PRESOSTATO |
| 34 | 189D2163G003 | CARATULA TARJ.PANTALLA MEM.ENS |
| 39 | 3998001 | EMPAQUE Y FILT. P/MANG.LLENADO |
| 42 | 189D2164P002 | SOPORTE TARJETAS |
| 43 | 228C2032G001 | TARJETA POTENCIA |
| 45 | 189D2174G001 | TARJETA PANTALLA DE MEM. ENS. |
| 47 | 189D2084G002 | ARNES COPETE |
| 48 | 189D2101G001 | ARNES PRESOSTATO ELECT. |
| 56 | 189D2085G001 | ARNES INTERRUPTOR TAPA |
| 58 | 189D2175G001 | TARJETA CONTROL SIN LEDS |
| 101 | 189D2388G001 | GABINETE RECTO 27" ENS. (BCO.) |
| 104 | 189D1823P001 | PATA NIVELADORA |
| 105 | 123C7979P002 | LIGA DE SUSPENSION |
| 106 | 123C7980P001 | RETEN TIRANTE |
| 107 | 228C1043P001 | CLIP DE CUBIERTA CHICO |

| | | |
|-----|----------------|--------------------------------|
| 108 | 228C1003P001 | SOPORTE MANGUERA |
| 109 | 175D2504P001 | CLIP ANTI SIFON |
| 110 | 228C2009P003 | ABRAZADERA CAPACITOR |
| 111 | 228C2054P003 | CAPACITOR DNA 60 MF |
| 112 | 323B1125P001 | GUIA PARA CUBIERTA |
| 113 | 228C2059G002 | INTERRUPTOR TAPA ENS. |
| 115 | 175D3151P001 | DESPACHADOR BLANQUEADOR |
| 116 | 228C2072P001 | BUJE BISAGRA CORTO |
| 118 | 143B9554P001 | TOPE BISAGRA |
| 119 | 228C2062P001 | BISAGRA TAPA CUB. |
| 120 | 228C2008P001 | ACTUADOR SEGURO TAPA |
| 121 | 189D1033P001 | RESPALDO P/SERVICIO |
| 123 | 175D1259P002 | CLIP MANGUERA EXTERNA (ACTUAL) |
| 170 | 323B2073P001 | PLACA EMBLEMA |
| 207 | 189D2381G002 | TINA ENS. |
| 211 | 189D1817G001 | MANGUERA DRENADO C/GRAPAS ENS. |
| 229 | 175D2846P001 | COPLER AGITADOR |
| 230 | 189D2092G002 | AGITADOR AUGER ENS. |
| 231 | 189D1180P001 | TAPA AGITADOR F.S.D. |
| 232 | 189D1145G027 | CUBIERTA UPSWEPT ENS. (BCA.) |
| 235 | 189D2119G001 | TAPA C/VIDRIO ENS. (BCA.) |
| 236 | 123C8091P001 | PROTECTOR PARA TAPA |
| 237 | 123C8029P001 | BISAGRA DE ALAMBRE (CORTA) |
| 239 | 228C1002P001 | GUIA CUBIERTA DERECHA |
| 240 | 228C1002P002 | GUIA CUBIERTA IZQUIERDA |
| 246 | 175D2534P001 | ALOJAMIENTO ROTULA |
| 247 | 228C1056P001 | MANGUERA TINA A BOMBA |
| 248 | 189D2141G008 | VARILLA SUSPENSION POST. ENS. |
| 249 | 189D2141G007 | VARILLA SUSPENSION FRONT. ENS. |
| 250 | 175D2259P001 | ROTULA SUPERIOR |
| 251 | 175D2951P001 | SELLO TINA |
| 252 | 143B9506P001 | RONDANA FONDO CANASTA |
| 253 | 123C8006P002FC | ANILLO CONICO SECCIONADO |
| 254 | 189D1111G001 | ARO BALANCE ENS. |
| 255 | 189D2050P001 | CANASTA 12KG. OLY 2000 |
| 256 | 189D1748P001 | FONDO CANASTA (HUB) |
| 258 | 228C1073P003 | TUERCA FONDO CANASTA |
| 259 | 189D2052P001 | CUBIERTA TINA 12 KG. |

| | | |
|-----|---------------|--------------------------------|
| 260 | 323B1061P002 | SELLO MEC. TINA |
| 261 | 323B1140P001 | ABRAZADERA SALIDA TINA |
| 262 | 189D1626P002 | COPA DESP. SUAVIZANTE |
| 263 | 8911225P043 | TORN.(COPL AGI)1/4"-20 MCH 5/8 |
| 268 | 323B1150P001 | ABRAZADERA ENTRADA BOMBA |
| 601 | 189D1753P001 | MOTOR 1/3 (127 V., 60 HZ.) |
| 601 | 189D1753P001 | MOTOR 1/3 (127 V., 60 HZ.) |
| 613 | 189D2011P001 | POLEA TRANSMISION |
| 615 | 228C2028P001 | BANDA 630 |
| 630 | 991895000G001 | TRANSMISION ENS. |
| 781 | 323B2039P001 | OPRESOR POLEA MOTOR |
| 860 | 189D2009P001 | BRAZO CAMBIADOR |
| 861 | 189D2010P001 | CAMBIADOR P/TRANSMISION |
| 865 | 189D2165P001 | SOLENOIDE (127 V.) |
| 866 | 228C2002P001 | RESORTE CAMBIADOR |
| 868 | 323B2037P001 | TORNILLO SENSOR 1/8 |
| 869 | 228C2055G001 | TARJETA SENSOR ENS. |
| 876 | 189D1684G001 | BOMBA SOPORTE ENS. (127 V) |
| 877 | 189D1196P001 | MANGUERA DE DESAGUE INTERIOR |
| 878 | 109B8787P008 | ABRAZADERA (SALIDA A BOMBA) |
| 880 | 189D2004G001 | PLATAFORMA ENS. |
| 886 | 228C2001P002 | POLEA MOTOR |
| 887 | 323B2056P001 | ANILLO POLEA MOTOR |
| 888 | 323B2054P001 | ANILLO MAGNETO |
| 889 | 228C2043P001 | BASE MAGNETO |
| 895 | 123C8116P001 | TUERCA PARA TORN. CONTRAPESO |
| 896 | 123C8115P001 | RONDANA PARA TORN. CONTRAPESO |
| 897 | 123C8113P001 | TORNILLO PARA CONTRAPESO |
| 898 | 175D2913P001 | CONTRAPESO |