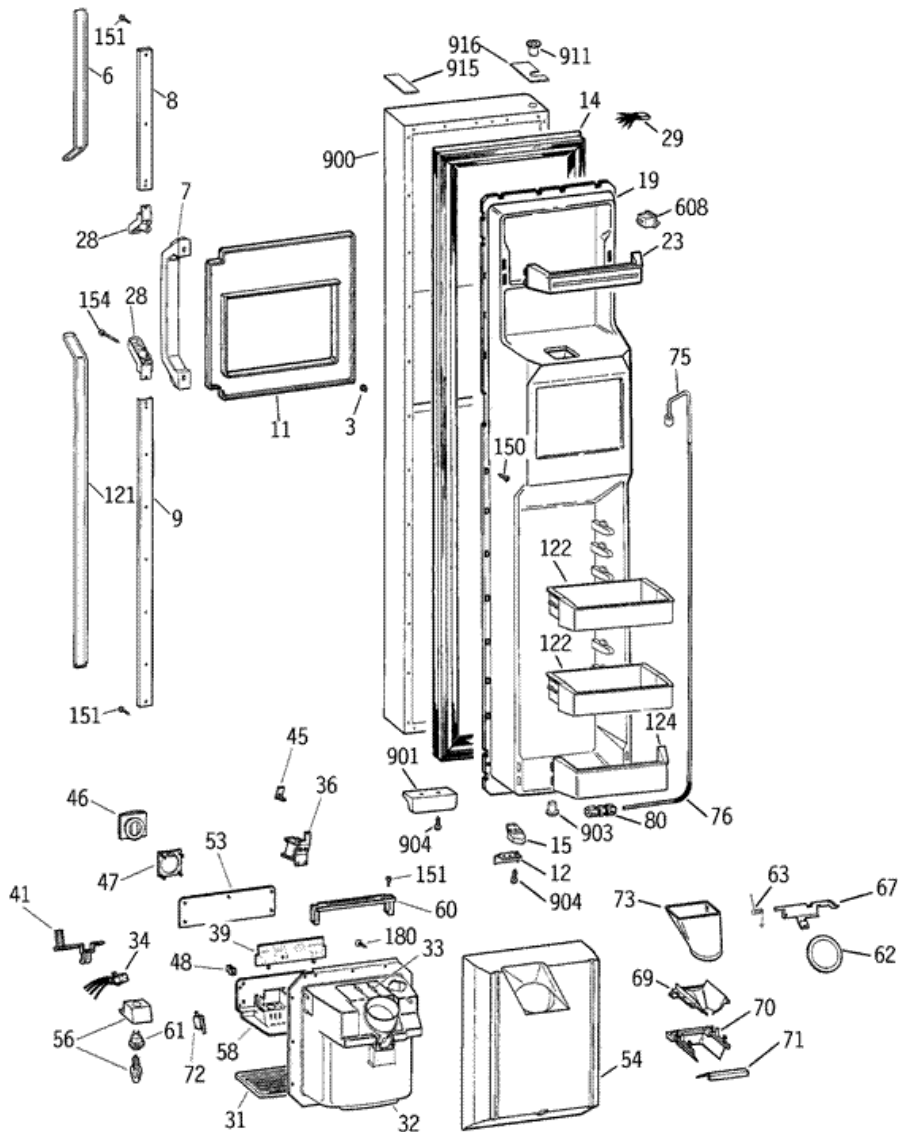


Distribuidor Autorizado

SurteRápido.com

Venta de Refacciones
Electrodomesticas

TPX24PRYFBB FREEZER DOOR





TPX24PRYFBB FREEZER DOOR

3	WR2X8669	FASTENER TUBULAR (S/P)
6	WR12X1043	INSERT HANDLE CHANNEL AD (S/P)
6	WR12X1028	INSERT HANDLE CHANNEL WH (S/P)
6	WR12X1040	INSERT HANDLE CHANNEL BK (S/P)
7	WR12X869	HANDLE ASM WH
7	WR12X870	HANDLE ASM AD (S/P)
7	WR12X871	HANDLE ASM BK DESCONTINUADO
8	WR12X1062	CHANNEL HANDLE PLASTIC DESCONTINUADO
9	WR12X1063	CHANNEL HANDLE PLASTIC DESCONTINUADO
10	WR1X2111	SCREW (S/P)
11	WR38X1838	TRIM ASM DISP WH (S/P)
11	WR38X1925	TRIM ASM DISP BK (S/P)
11	WR38X1924	TRIM ASM DISP AD DESCONTINUADO
12	WR2X9244	STOP DOOR (S/P)
14	WR24X561	GASKET DOOR FZ BK (S/P)
14	WR24X559	GASKET DOOR FZ WH (S/P)
15	WR2X9246	CAM CLOSURE WH FZ (S/P)
15	WR2X9246	CAM CLOSURE BK FZ (S/P)
15	WR2X9246	CAM CLOSURE AD FZ (S/P)
19	WR77X676	DOOR INNER FZ DESCONTINUADO
23	WR71X2619	MODULE ASM FZ (S/P)
28	WR2X8576	CAP END HANDLE (S/P)
29	WR23X10042	HARNESS DR HINGE FZ (S/P)
31	WR17X4152	GRILLE RECESS BK (S/P)
31	WR17X4153	GRILLE RECESS WH (S/P)
31	WR17X4151	GRILLE RECESS AD (S/P)
32	WR17X10514	RECESS DISP BK
32	WR17X10190	RECESS DISP WH (S/P)
32	WR17X10191	RECESS DISP AD (S/P)
33	WR51X420	HEATER RECESS (S/P)
34	WR23X456	HARNESS LIGHT SW. DESCONTINUADO
36	WR62X107	SOLENOID ASM
39	WR55X129	MODULE TIME DELAY

41	WR17X3493	CRADLE ACTUATOR (S/P)
45	WR2X8818	RETAINER RECESS DOOR (S/P)
46	WR2X8704	PAD ACTUATOR BK
46	WR2X8704	PAD ACTUATOR AD
46	WR2X8704	PAD ACTUATOR WH
47	WR2X8681	SUPPORT ACTUATOR PAD BK (S/P)
48	WR2X8723	KNOB RECESS DISP CH (S/P)
53	WR17X4128	NAMEPLATE RECESS ASM WH (S/P)
53	WR17X4127	NAMEPLATE RECESS ASM AD DESCONTINUADO
53	WR17X4211	NAMEPLATE RECESS ASM BK (S/P)
54	WR17X4208	INSULATION RECESS (S/P)
56	WR2X8686	REFLECTOR LAMP SOCKET (S/P)
56	STD372071	LAMP 7C7 (S/P)
58	WR17X3139	SHIELD RECESS DISP BK (S/P)
58	WR17X3210	SHIELD RECESS DISP AD DESCONTINUADO
58	WR17X3166	SHIELD RECESS DISP WH (S/P)
60	WR2X8685	COVER ELECT (S/P)
61	WR2X9561	SOCKET LAMP E12 (S/P)
62	WR17X11653	DOOR RECESS ASM
63	WR2X8663	SPRING RECESS DOOR (S/P)
65	WZ4X230	SCREW (S/P)
67	WR17X3089	CRANK DOOR RECESS
69	WR17X3095	FUNNEL RECESS SHIELD BK (S/P)
70	WR2X8954	SUPT. FUNNEL GUARD WH (S/P)
70	WR2X8943	SUPT. FUNNEL GUARD AD (S/P)
70	WR2X8943	SUPT. FUNNEL GUARD BK (S/P)
71	WR17X10282	DEFLECTOR ICE BK (S/P)
72	WR23X366	SWITCH CRADLE ACTUATOR (S/P)
73	WR17X4206	CHUTE ICE (S/P)
75	WR17X3670	GROMMET TUBE ASM (S/P)
76	WR2X8933	SLEEVE WATER LINE (S/P)
80	WR2X8545	NUT & UNION ASM (S/P)
86	WH2X940	SCR 8-32 TT FL 1/2 S (S/P)
87	WZ4X241	SCR 8-15 AB TR 1/2 SS (S/P)
121	WR12X1056	INSERT HANDLE CHANNEL BK (S/P)
121	WR12X996	INSERT HANDLE CHANNEL AD (S/P)
121	WR12X1057	INSERT HANDLE CHANNEL WH (S/P)
122	WR71X10020	MODULE ASM (S/P)

124	WR71X2701	MODULE ASM (S/P)
134	WR1X10019	SCR 6-10 PL FLP 1/2 S (S/P)
150	WR1X1791	SCR 8-15 SPEC (S/P)
151	WR1X1554	SCREW (S/P)
154	WR1X2085	SCREW (S/P)
154	WR1X2127	SCREW (S/P)
180	WR1X1966	SCREW (S/P)
303	WD1X1440	HOUSING TERMINAL (S/P)
449	WH2X896	CLIP (S/P)
564	WR1X1194	SCREW (S/P)
584	WZ2X509	SCR 8-32 MA PA 3/16 S (S/P)
608	WR23X427	SWITCH LIGHT FZ (S/P)
676	WZ4X263	SCR 10-16 AB HXW 1/2 (S/P)
683	WR1X1825	SCR 8-32 TT PT 3/8 DESCONTINUADO
689	WZ5X246	SCREW (S/P)
690	WR1X1466	SCR 8-32 T HXW 3/8 S (S/P)
692	WZ4X416	SCREW (S/P)
758	WD2X323	SCREW 8-32 X 3/8 SPH (S/P)
782	WB17X5060	TERMINAL BLK ASM (S/P)
809	WR1X1936	FASTENER WATER TUBE (S/P)
822	WR1X2122	SCR 10-32 BT PNP 3/8 S DESCONTINUADO
864	WR29X115	E RING DESCONTINUADO
900	WR78X8787	FZ O. DOOR AD DESCONTINUADO
900	WR78X8791	FZ O. DOOR WH DESCONTINUADO
900	WR78X8789	FZ O. DOOR BK DESCONTINUADO
901	WR10X127	STRIKE MAGNET ASM AD DESCONTINUADO
901	WR10X125	STRIKE MAGNET ASM WH (S/P)
901	WR10X126	STRIKE MAGNET ASM BK (S/P)
903	WR1X2030	THIMBLE DOOR BTM FZ WH (S/P)
903	WR1X2039	THIMBLE DOOR BTM FZ BK (S/P)
903	WR1X2045	THIMBLE DOOR BTM FZ AD (S/P)
904	WR1X2134	SCREW (S/P)
911	WR1X2041	THIMBLE DOOR TOP BK (S/P)
911	WR1X2032	THIMBLE DOOR TOP WH DESCONTINUADO
911	WR1X2047	THIMBLE DOOR TOP AD (S/P)
915	WR1X2151	CORNER COVER FF/FZ WH (S/P)
915	WR1X2142	CORNER COVER FF/FZ AD (S/P)
915	WR1X2148	CORNER COVER FF/FZ BK (S/P)

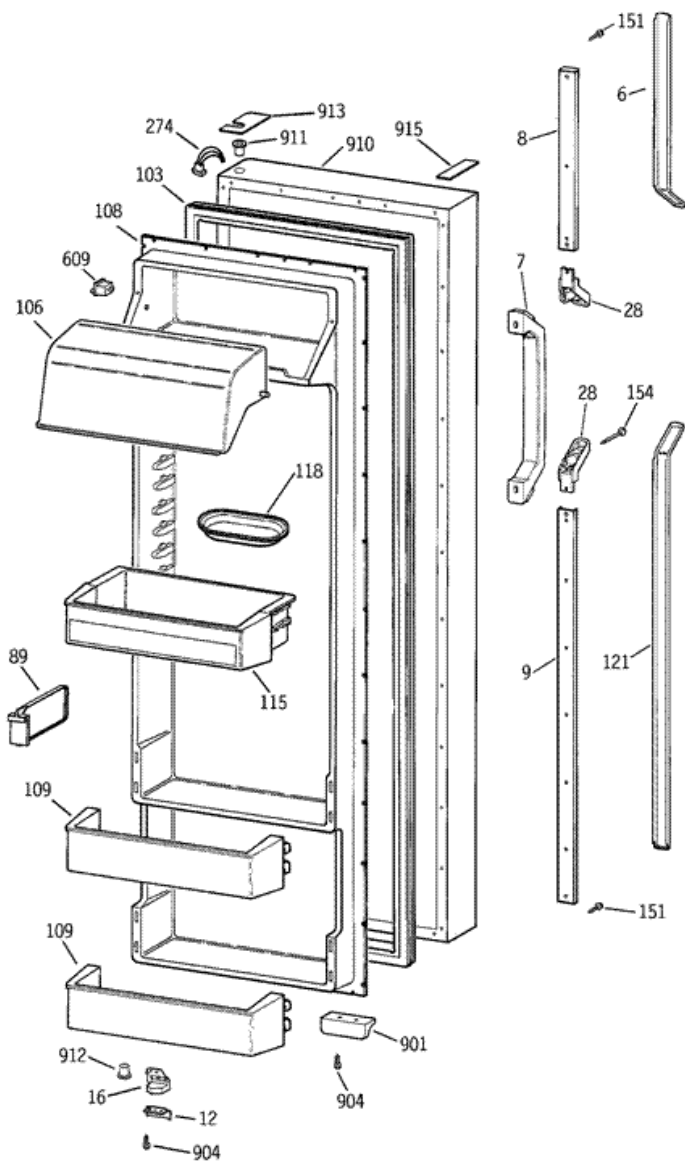
916	WR1X2144	CORNER COVER FZ AD (S/P)
916	WR1X2149	CORNER COVER FZ BK (S/P)
916	WR1X2152	CORNER COVER FZ WH (S/P)
941	WD1X1391	CONNECTOR ELEC. 6 PIN (S/P)
1506	WB17X5059	HOUSING SOCKET PKG 9 PIN DESCONTINUADO

Distribuidor Autorizado

SurteRápido.com

Venta de Refacciones
Electrodomesticas

TPX24PRYFBB FRESH FOOD DOOR





TPX24PRYFBB FRESH FOOD DOOR

6	WR12X1040	INSERT HANDLE CHANNEL BK (S/P)
6	WR12X1043	INSERT HANDLE CHANNEL AD (S/P)
6	WR12X1028	INSERT HANDLE CHANNEL WH (S/P)
7	WR12X869	HANDLE ASM WH
7	WR12X870	HANDLE ASM AD (S/P)
7	WR12X871	HANDLE ASM BK DESCONTINUADO
8	WR12X1062	CHANNEL HANDLE PLASTIC DESCONTINUADO
9	WR12X1063	CHANNEL HANDLE PLASTIC DESCONTINUADO
12	WR2X9244	STOP DOOR (S/P)
16	WR2X9246	CAM CLOSURE BK FF (S/P)
16	WR2X10411	CAM CLOSURE WH FF (S/P)
16	WR2X9249	CAM CLOSURE AD FF (S/P)
28	WR2X8576	CAP END HANDLE (S/P)
89	WR2X9444	SNUGGER MODULE (S/P)
103	WR24X560	GASKET DOOR FF WH (S/P)
103	WR24X562	GASKET DOOR FF BK (S/P)
106	WR22X524	DOOR DAIRY CLEAR (S/P)
108	WR77X675	DOOR INNER FF (S/P)
109	WR71X2700	MODULE ASM DESCONTINUADO
115	WR71X2702	MODULE ASM DESCONTINUADO
118	WR19X29	DISH BUTTER GLASS (S/P)
121	WR12X1056	INSERT HANDLE CHANNEL BK (S/P)
121	WR12X996	INSERT HANDLE CHANNEL AD (S/P)
121	WR12X1057	INSERT HANDLE CHANNEL WH (S/P)
151	WR1X1554	SCREW (S/P)
154	WR1X2085	SCREW (S/P)
154	WR1X2127	SCREW (S/P)
274	WR23X10041	HARNESS FF LT SW (S/P)
609	WR23X10147	SWITCH LIGHT FF (S/P)
901	WR49X10040	STRIKE MAGNET ASM BK (S/P)
901	WR49X10040	STRIKE MAGNET ASM WH (S/P)
901	WR10X127	STRIKE MAGNET ASM AD DESCONTINUADO
904	WR1X2134	SCREW (S/P)

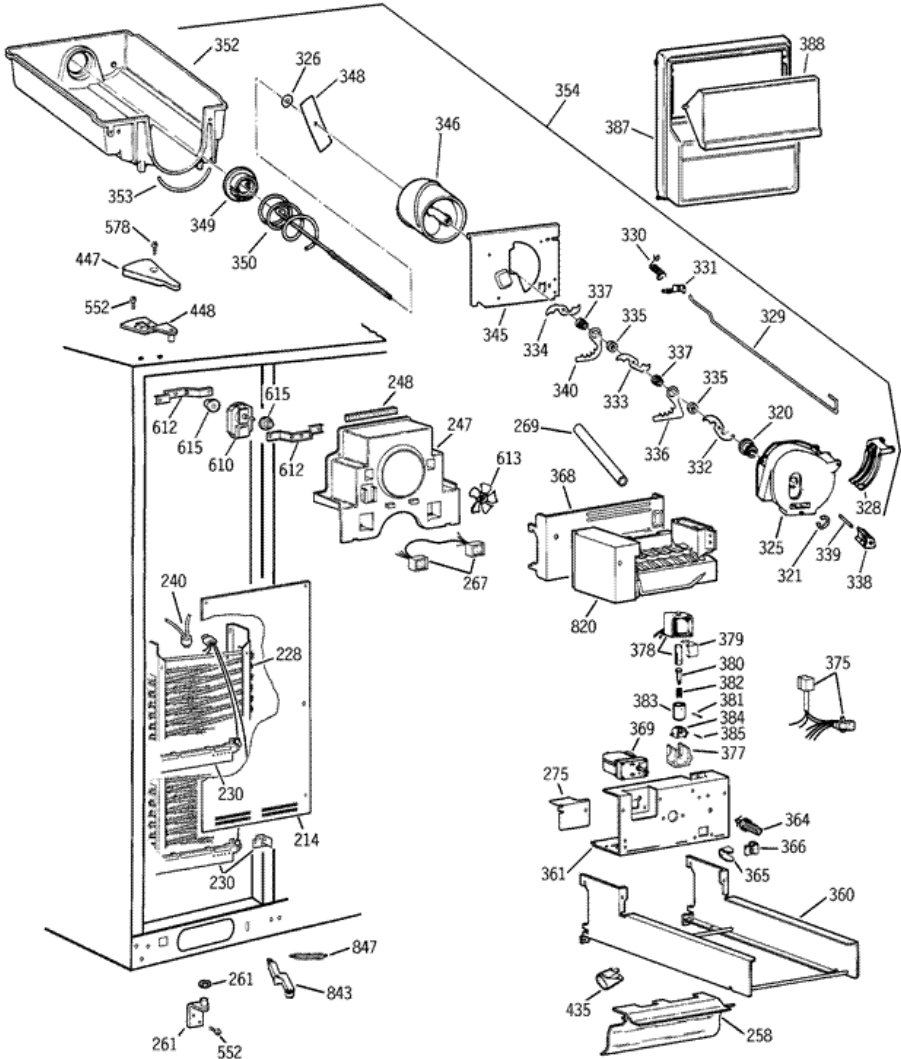
910	WR78X8786	FF O. DOOR AD DESCONTINUADO
910	WR78X8788	FF O. DOOR BK DESCONTINUADO
910	WR78X8790	FF O. DOOR WH DESCONTINUADO
911	WR1X2047	THIMBLE DOOR TOP AD (S/P)
911	WR1X2032	THIMBLE DOOR TOP WH DESCONTINUADO
911	WR1X2041	THIMBLE DOOR TOP BK (S/P)
912	WR1X2132	THIMBLE DOOR BTM FF BK DESCONTINUADO
912	WR1X2133	THIMBLE DOOR BTM FF WH DESCONTINUADO
912	WR1X2131	THIMBLE DOOR BTM FF AD DESCONTINUADO
913	WR1X2143	CORNER COVER FF AD (S/P)
913	WR1X2150	CORNER COVER FF WH (S/P)
913	WR1X2147	CORNER COVER FF BK (S/P)
915	WR1X2148	CORNER COVER FF/FZ BK (S/P)
915	WR1X2151	CORNER COVER FF/FZ WH (S/P)
915	WR1X2142	CORNER COVER FF/FZ AD (S/P)

Distribuidor Autorizado

SurteRápido.com

Venta de Refacciones
Electrodomesticas

TPX24PRYFBB FREEZER SECTION





TPX24PRYFBB FREEZER SECTION

214	WR17X3835	COVER EVAP (S/P)
228	WR85X306	LOW SIDE ASM (S/P)
230	WR2X8647	BRACKET DEF HTR (S/P)
230	WR51X443	HEATER HARNESS DEF ASM
240	WR50X122	THERMOSTAT DEF (S/P)
247	WR17X3846	ORIFICE EVAP FAN (S/P)
248	WR14X460	FOAM STRIP (S/P)
258	WR17X10043	SHIELD LIGHT FZ DESCONTINUADO
261	WR13X759	HINGE BTM PIN ASM BK (S/P)
261	WR1X2033	THRUST WASHER (S/P)
261	WR13X758	HINGE BTM PIN ASM AD (S/P)
261	WR13X762	HINGE BTM PIN ASM WH (S/P)
267	WR23X424	HARNESS LOW SIDE (S/P)
269	WR2X7927	TUBE WATER FILL (S/P)
275	WR1X2018	COVER IM PLUG DESCONTINUADO
320	WR1X1585	NUT AUGER (S/P)
321	WR1X1367	RETAINER RING E (S/P)
325	WR17X2061	HOUSING CRUSHER DISP (S/P)
326	WR1X1366	WASHER (S/P)
328	WR2X4143	PIN DEFLECTOR DISP (S/P)
328	WR2X4561	SPRING ICE DEFLECTOR (S/P)
328	WR17X2059	DEFLECTOR ICE DISP (S/P)
329	WR17X4210	WIRE ACTUATOR DISP (S/P)
330	WR2X4145	SPRING (S/P)
331	WR2X4251	RETAINER ACTUATOR WIRE (S/P)
332	WR17X1361	BLADES MOVING DISP (S/P)
333	WR17X1362	BLADES MOVING DISP (S/P)
334	WR17X1363	BLADES MOVING DISP (S/P)
335	WR2X4139	SPACER (S/P)
336	WR17X1009	BLADE STATIONARY DISP (S/P)
337	WR2X4138	SPACER CRUSHER STATIONAR (S/P)
338	WR2X4140	BLADE REST DISP (S/P)
339	WR2X4141	PIN SPIRAL (S/P)

340	WR17X2058	BLADE STATIONARY DISP (S/P)
345	WR17X2062	PLATE FRONT DISP (S/P)
346	WR17X4207	HELIX FRONT DISP DESCONTINUADO
348	WR2X7783	BLADE IN DISP (S/P)
349	WR2X4550	CUP DRIVE DISPENSER (S/P)
350	WR17X4204	AUGER HELIX DISP (S/P)
352	WR30X322	BUCKET ICE DISP (S/P)
353	WR2X7905	BUCKET SEAL DISP (S/P)
354	WR17X4205	BUCKET & AUGER ASM DISP (S/P)
360	WR71X2704	SHELF BUCKET CANT ASM DESCONTINUADO
361	WR17X10070	COVER MOTOR & SOLENOID DESCONTINUADO
364	WR2X7310	SUPPORT TWIST (S/P)
365	WR2X4854	DRIVE AUGER DISPENSER (S/P)
366	WR1X1547	NUT J (S/P)
368	WR1X1788	SCREW MOTOR MOUNT (S/P)
368	WR2X10011	BRKT IM MTG (S/P)
369	WR60X202	MOTOR CRUSHER DISP
375	WR23X463	HARNESS MOTOR DISP (S/P)
377	WR2X7309	SADDLE SOLENOID (S/P)
378	WR62X58	SOLENOID ARM ASM
379	WR17X1063	SHROUD SOLENOID (S/P)
380	WR17X1064	PLUNGER SOLENOID (S/P)
381	WR2X4257	PIN SPIRAL (S/P)
382	WR2X4258	SPRING SOLENOID LINKAGE (S/P)
383	WR17X1065	COLLAR SOLENOID DISP (S/P)
384	WR17X1066	STIRRUP SOLENOID DISP (S/P)
385	WR2X4259	PIN SPIRAL (S/P)
387	WR17X10041	COVER BUCKET ASM (S/P)
388	WR17X3838	DOOR ICE STORAGE DISP (S/P)
435	STD372402	LAMP 40 W (S/P)
435	WR2X9391	SOCKET TERM BK
447	WR2X9433	COVER HINGE WH FZ (S/P)
447	WR2X9434	COVER HINGE WH FF (S/P)
447	WR2X9437	COVER HINGE AD FZ DESCONTINUADO
447	WR2X9438	COVER HINGE AD FF (S/P)
447	WR2X9435	COVER HINGE BK FZ (S/P)
447	WR2X9436	COVER HINGE BK FF DESCONTINUADO
448	WR13X10034	HINGE TOP ASM FZ (S/P)

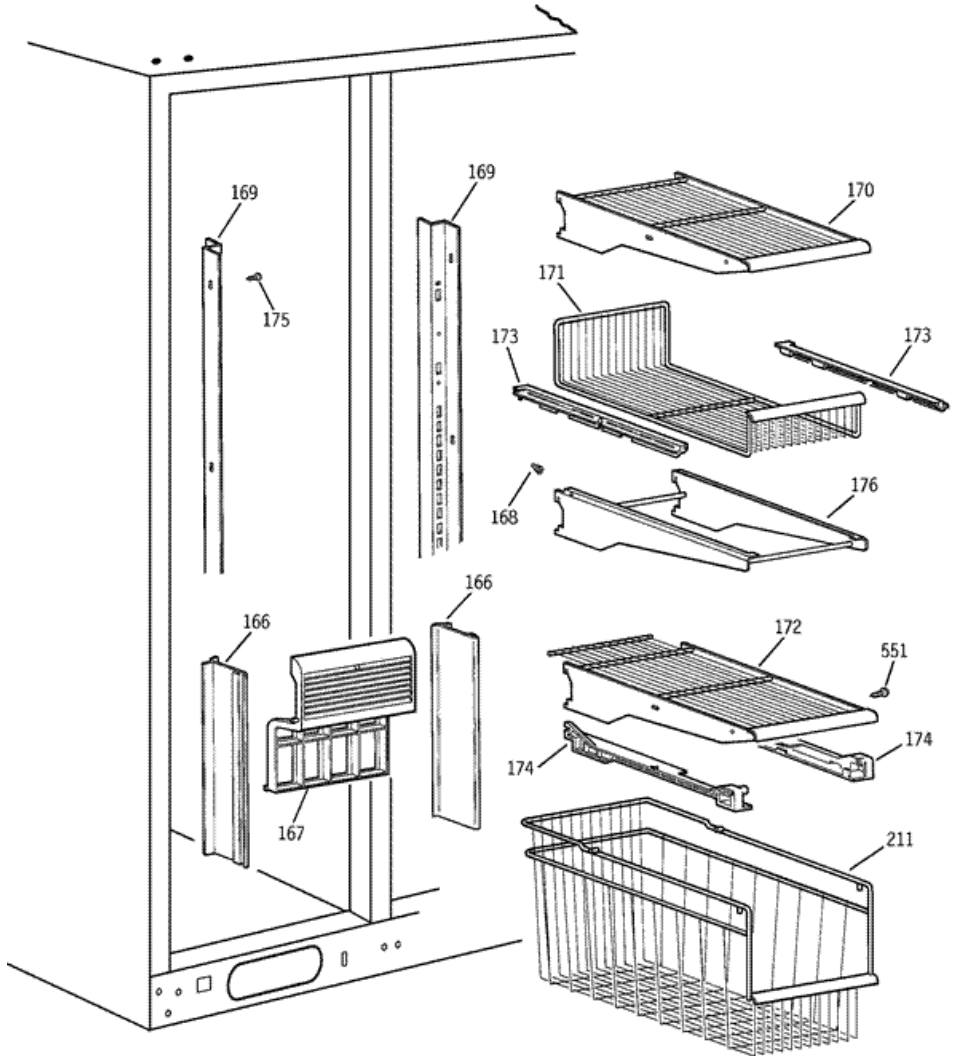
448	WR13X10035	HINGE TOP ASM FF DESCONTINUADO
552	WR1X2022	SCREW (S/P)
578	WZ2X503	SCREW (S/P)
610	WR60X190	MOTOR EVAP FAN
612	WR2X8549	BRACKET EVAP FAN (S/P)
613	WR60X114	FAN BLADE EVAP MOTOR
613	WR60X114	RING COMPRESSION
615	WR2X7391	GROMMET (S/P)
820	WR30X10012	IM CRESCENT
843	WR11X173	LEVER ASM BK FZ (S/P)
843	WR11X170	LEVER ASM WH FZ (S/P)
843	WR11X177	LEVER ASM AD FZ (S/P)
847	WR1X2027	SPRING CLOSURE (S/P)

Distribuidor Autorizado

SurteRápido.com

Venta de Refacciones
Electrodomesticas

TPX24PRYFBB FREEZER SHELVES





TPX24PRYFBB FREEZER SHELVES

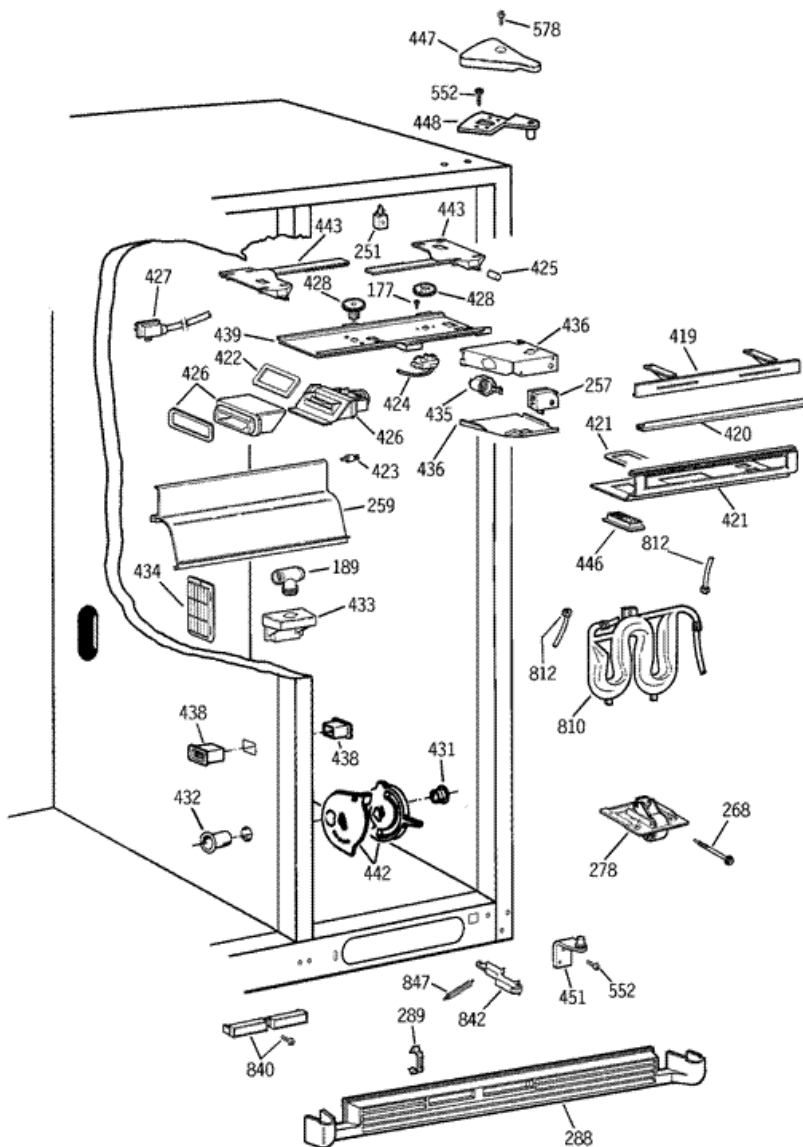
166	WR17X3836	COVER EXTRUSION (S/P)
167	WR17X10017	COVER DRAIN TROUGH (S/P)
168	WR1X5722	STOP BASKET FZ (S/P)
169	WR72X10005	TRACK CANT SHELF RH (S/P)
169	WR72X10006	TRACK CANT SHELF LH (S/P)
170	WR71X2708	SHELF WIRE FZ CANT (S/P)
171	WR71X2699	BASKET WIRE SLIDEOUT FZ (S/P)
172	WR71X10005	SHELF WIRE FZ CANT DESCONTINUADO
173	WR72X0276	SLIDE BASKET FZ CANT RH DESCONTINUADO
173	WR72X0277	SLIDE BASKET FZ CANT LH (S/P)
174	WR72X10001	SLIDE BEN FZ RH (S/P)
174	WR72X10002	SLIDE BIN FZ LH DESCONTINUADO
175	WR01X2023	SCREW (S/P)
176	WR71X2698	CANTILEVER BASKET FZ (S/P)
211	WR71X2697	BIN FZ SLIDEOUT (S/P)
551	WZ04X0244	SCREW (S/P)

Distribuidor Autorizado

SurteRápido.com

Venta de Refacciones
Electrodomesticas

TPX24PRYFBB FRESH FOOD SECTION





TPX24PRYFBB FRESH FOOD SECTION

177	WR1X5034	SCREW (S/P)
189	WR2X9243	SOCKET LAMP (S/P)
251	WR2X2880	SUPPORT TWIST (S/P)
257	WR9X520	CONTROL DEFROST (S/P)
259	WR17X3909	SHIELD LIGHT LOWER FF (S/P)
268	WR1X2025	SCREW MOBILITY (S/P)
278	WR2X9241	MOBILITY FRONT ASM DESCONTINUADO
288	WR74X263	GRILLE BASE ASM AD (S/P)
288	WR74X264	GRILLE BASE ASM BK (S/P)
288	WR74X265	GRILLE BASE ASM WH (S/P)
289	WR2X7646	CLIP BASE GRILLE (S/P)
419	WR17X3308	BEZEL CONTROL (S/P)
420	WR38X1995	TRIM EXTRUSION (S/P)
421	WR17X10071	COVER SHIELD FF DESCONTINUADO
421	WR17X10130	SHIELD LIGHT ASM DESCONTINUADO
421	WR14X433	GASKET LIGHT SHIELD (S/P)
422	WR14X429	GASKET FOAM BLOCK (S/P)
423	WR2X6347	SUPPORT SHIELD TOP (S/P)
424	WR9X521	CONTROL TEMP
424	WR2X10031	SLEEVE VINYL (S/P)
425	WR2X9439	KNOB CONTROL (S/P)
426	WR14X462	GASKET FOAM (S/P)
426	WR9X10006	DAMPER ASM (S/P)
426	WR2X8831	NOZZLE FOAM (S/P)
427	WR23X10023	HARNESS CONTROL MOD (S/P)
428	WR2X8828	GEAR PINION R/S DESCONTINUADO
428	WR2X8829	GEAR PINION L/S DESCONTINUADO
431	WR2X9299	CAP MULLION DUCT (S/P)
432	WR2X8654	DUCT MULLION (S/P)
433	WR2X9239	HOUSING LAMP SOCKET (S/P)
433	WR2X8202	SOCKET TERM WH (S/P)
434	WR17X3842	GRILLE AIR RETURN (S/P)
435	WR2X9391	SOCKET TERM BK

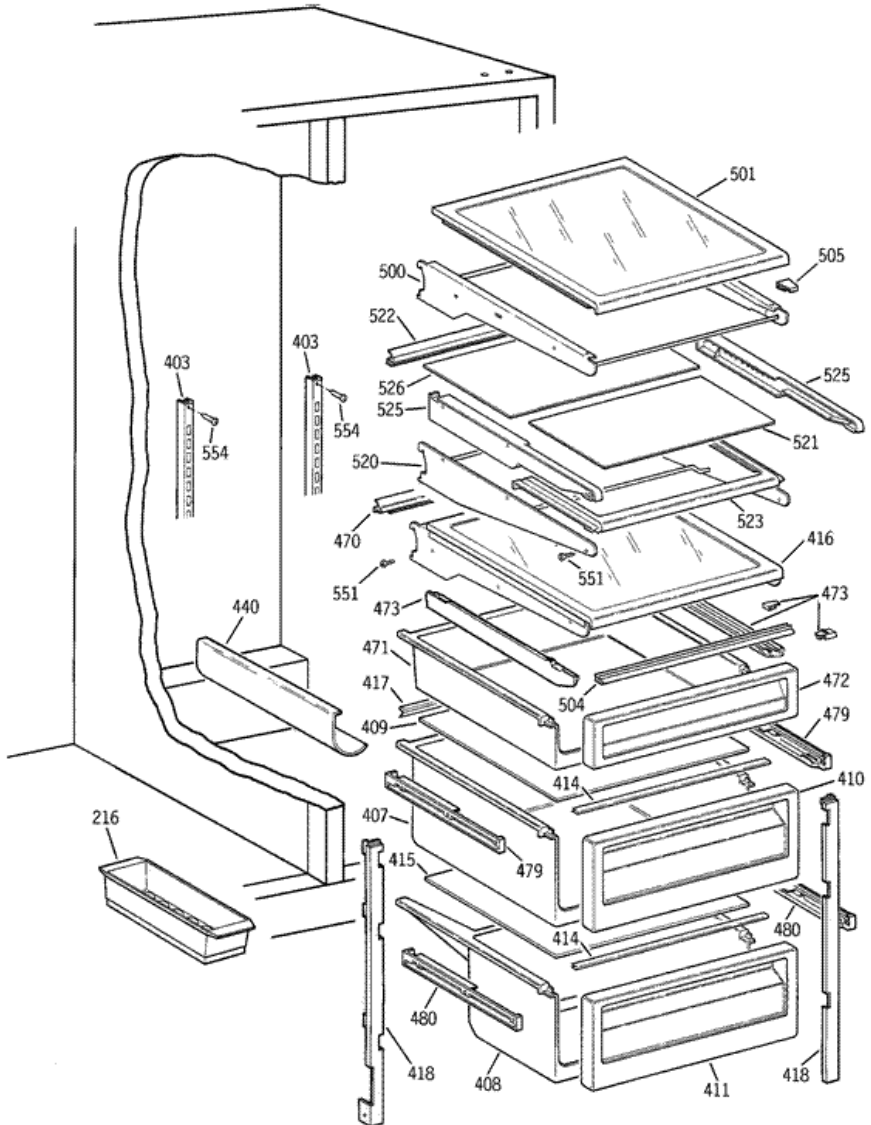
435	STD372402	LAMP 40 W (S/P)
436	WR2X8819	BOX CONTROL BTM (S/P)
436	WR2X8820	BOX CONTROL TOP DESCONTINUADO
438	WR2X8655	DUCT MULLION FZ (S/P)
438	WR2X7476	DUCT MULLION FF (S/P)
439	WR17X10306	SLIDE CONTROL (S/P)
442	WR2X9432	CONTROL MEAT PAN ASM (S/P)
443	WR17X3319	RACK GEAR CONTROL R/S DESCONTINUADO
443	WR17X3318	RACK GEAR CONTROL L/S DESCONTINUADO
446	WR17X10635	GRILLE LIGHT SHIELD (S/P)
447	WR2X9433	COVER HINGE WH FZ (S/P)
447	WR2X9434	COVER HINGE WH FF (S/P)
447	WR2X9437	COVER HINGE AD FZ DESCONTINUADO
447	WR2X9438	COVER HINGE AD FF (S/P)
447	WR2X9435	COVER HINGE BK FZ (S/P)
447	WR2X9436	COVER HINGE BK FF DESCONTINUADO
448	WR13X10034	HINGE TOP ASM FZ (S/P)
448	WR13X10035	HINGE TOP ASM FF DESCONTINUADO
451	WR13X10004	BTM HINGE & PIN ADJ BK (S/P)
451	WR13X10008	BTM HINGE & PIN ADJ AD DESCONTINUADO
451	WR13X761	BTM HINGE & PIN ADJ WH DESCONTINUADO
552	WR1X2022	SCREW (S/P)
578	WZ2X503	SCREW (S/P)
810	WR17X3105	WATER TANK DISP ASM
812	WR17X2891	TUBE PLASTIC (S/P)
812	WR17X2891	TUBE PLASTIC (S/P)
840	WR11X180	MAGNET & COVER ASM WH (S/P)
840	WR11X180	MAGNET & COVER ASM BK (S/P)
840	WR11X179	MAGNET & COVER ASM AD (S/P)
840	WR1X2024	SCREW (S/P)
842	WR11X169	LEVER ASM WH FF (S/P)
842	WR11X172	LEVER ASM BK FF (S/P)
842	WR11X176	LEVER ASM AD FF (S/P)
847	WR1X2027	SPRING CLOSURE (S/P)

Distribuidor Autorizado

SurteRápido.com

Venta de Refacciones
Electrodomesticas

TPX24PRYFBB FRESH FOOD SHELVES





TPX24PRYFBB FRESH FOOD SHELVES

216	WR32X1435	BUCKET EGG (S/P)
403	WR72X249	TRACK CANT SHELF (S/P)
407	WR32X1461	PAN VEG CLEAR UPPER (S/P)
408	WR32X1569	PAN MEAT CLEAR LOWER (S/P)
409	WR32X1568	COVER PAN GLASS DESCONTINUADO
410	WR17X4083	FRAME ASM PAN (S/P)
411	WR17X3841	FRAME ASM PAN (S/P)
414	WR14X431	GASKET PAN COVER FRT (S/P)
415	WR32X1457	COVER PAN GLASS (S/P)
416	WR71X2707	SHELF CANT VP CVR (S/P)
417	WR14X482	GASKET SHIELD LOWER (S/P)
418	WR17X4085	TRIM PAN LH (S/P)
418	WR17X4086	TRIM PAN RH DESCONTINUADO
440	WR17X4094	WINE RACK PACK ASM (S/P)
470	WR14X465	GASKET PAN CVR REAR (S/P)
471	WR2X8349	GROMMET SCR CLOSED (S/P)
471	WR32X1460	PAN SNACK CLEAR (S/P)
472	WR17X3839	FRAME ASM PAN (S/P)
473	WR72X282	SLIDE SNACK LH (S/P)
473	WR72X283	SLIDE SNACK RH (S/P)
473	WR1X2048	BEARING SLIDE LH (S/P)
473	WR72X240	BEARING SLIDE RH
479	WR72X239	SLIDE ASM LH
479	WR72X240	SLIDE ASM RH
480	WR72X241	SLIDE ASM LH (S/P)
480	WR72X242	SLIDE ASM RH (S/P)
500	WR71X10022	SHELF CANT SPILLPRF (S/P)
501	WR32X1570	SHELF ENCAP SLIDEOUT DESCONTINUADO
504	WR14X474	GASKET PAN COVER FRT (S/P)
505	WR1X2080	STOP SHELF DESCONTINUADO
520	WR71X2706	SHELF CANT TUCKAWAY (S/P)
521	WR32X1529	SHELF GLASS TUCKAWAY (S/P)
522	WR38X2240	REFLECTOR TUCKAWAY (S/P)

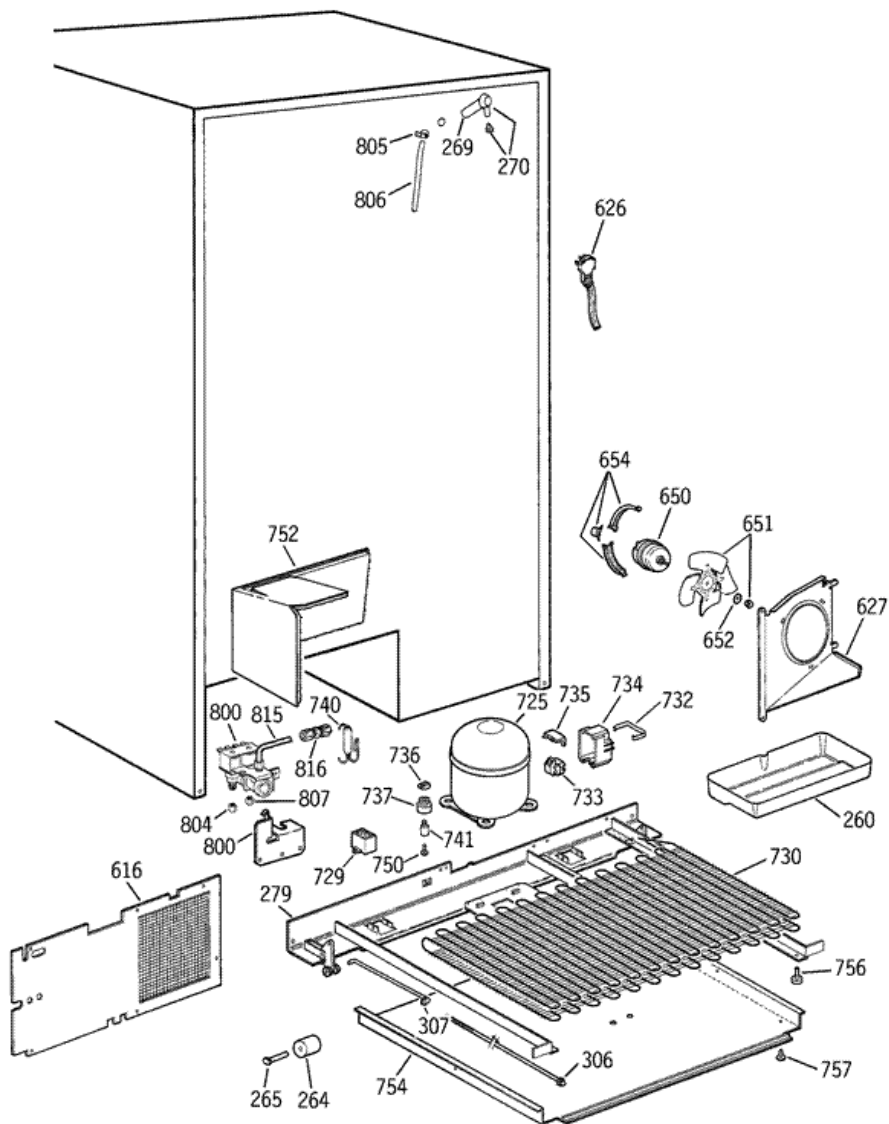
523	WR71X2638	SHELF FRAME TUCKAWAY (S/P)
525	WR72X280	SLIDE TUCKAWAY RH (S/P)
525	WR72X281	SLIDE TUCKAWAY LH (S/P)
526	WR32X1571	SHELF GLASS TUCKAWAY DESCONTINUADO
551	WZ4X244	SCREW (S/P)
554	WR1X2141	SCREW (S/P)

Distribuidor Autorizado

SurteRápido.com

Venta de Refacciones
Electrodomesticas

TPX24PRYFBB SYSTEM





TPX24PRYFBB SYSTEM

260	WR32X10011	PAN WATER DISPOSAL (S/P)
264	WR02X8838	WHEEL MOBILITY (S/P)
265	WR01X2050	AXLE WHEEL DESCONTINUADO
269	WR02X7927	TUBE WATER FILL (S/P)
270	WR2X4754	CLAMP HOSE (S/P)
270	WR02X8474	GROMMET WATER FILL (S/P)
279	WR17X10019	RAIL MTG ASM (S/P)
306	WR01X2146	SCREW ADJUSTING DESCONTINUADO
307	WR1X2145	LINK SCREW (S/P)
616	WR82X10050	COVER ACCESS ASM (S/P)
626	WR23X10300	CORD POWER ASM (S/P)
626	WR01X5278	CLAMP CABLE (S/P)
627	WR17X3843	HOUSING COND FAN DESCONTINUADO
650	WR60X0225	MOTOR COND FAN
651	WR60X0234	BLADE COND FAN ASM (S/P)
651	WR01X1515	NUT LOCKING (S/P)
652	WR01X1714	WASHER (S/P)
654	WR01X2019	GROMMET COND FAN LEG (S/P)
654	WR02X9240	LEG COND FAN HSG (S/P)
725	WR87X10211	HIGH SIDE ASM DESCONTINUADO
729	WR62X0080	CAPACITOR (S/P)
730	WR84X0213	COND ASM (S/P)
732	WR02X7226	CLAMP-COVER DESCONTINUADO
733	WR07X0253	RELAY (PTCR) (S/P)
734	WR02X7834	COVER RELAY DESCONTINUADO
735	WR08X0172	OVERLOAD (S/P)
736	WR02X8583	CLIP COMP MTNG (S/P)
737	WR02X7238	GROMMET COMP MTG (S/P)
740	WR86X0096	DRYER BIFURCATED XH9 (S/P)
741	WR01X1779	STUD MTG COMPR (S/P)
750	WR01X1786	SCREW (S/P)
752	WR82X10028	INSULATION (S/P)
754	WR82X10054	FLOOR COMPLETE ASM (S/P)

756	WR1X2021	PAD (S/P)
757	WR1X2035	FASTENER PUSH (S/P)
800	WR57X10051	WATER VALVE ASM
800	WR2X10158	BRACKET WATER VALVE (S/P)
804	WR57X57	NUT SLEEVE 1/4 (S/P)
805	WR2X12265	CLAMP TUBE (S/P)
806	WR2X9245	WATER LINE (S/P)
807	WR2X4046	INSERT 5/16 (S/P)
807	WR2X8545	NUT SLEEVE 5/16" (S/P)
815	WR57X10001	TUBE JUMPER WATER VALVE (S/P)
816	WR57X10021	UNION WATER VALVE (S/P)