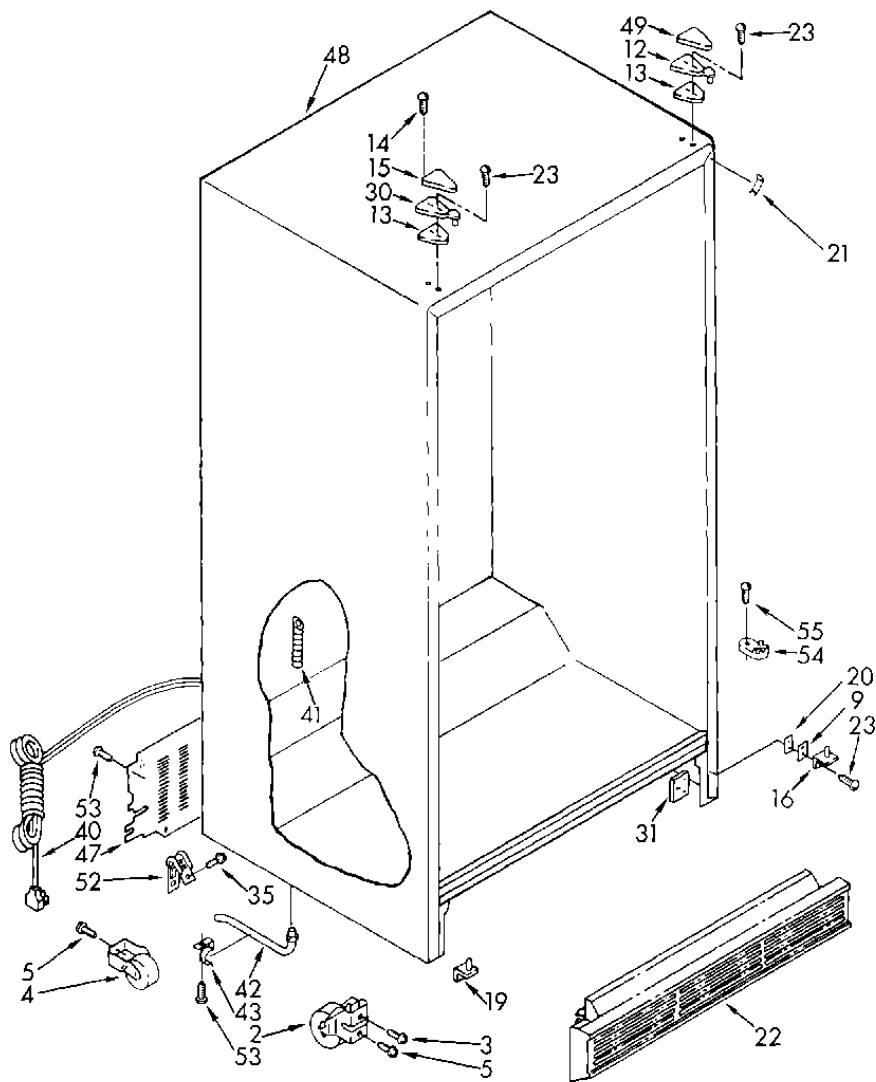


Distribuidor Autorizado

SurteRápido.com

Venta de Refacciones
Electrodomesticas

TS22BRXAN00 CABINET





TS22BRXAN00 CABINET

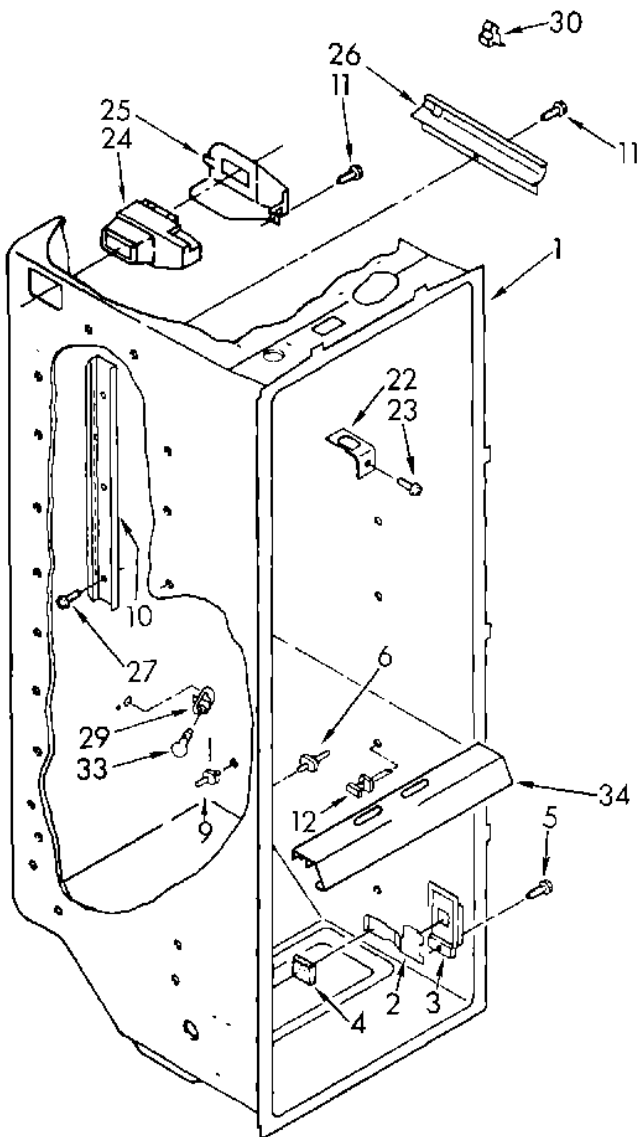
2	4386774	FRONT ROLLER (2)
3	489393	SCREW, DESCONTINUADO
4	981122	ROLLER (REAR) (2) (S/P)
5	488454	SCREW, 1/4-28 X 1/2 (6) DESCONTINUADO
9	4388138	SHIM (S/P)
12	1123510	HINGE TOP (R.H.) (S/P)
13	1123515	SHIM, HINGE TOP (S/P)
14	489284	SCREW (S/P)
15	2150343	HINGE COVER (ALMOND) (S/P)
15	1129262	HINGE COVER (WHITE) (S/P)
16	4386946	HINGE BOTTOM (R.H) (S/P)
19	4386946	HINGE BOTTOM (L.H) (S/P)
20	1129868	SPACER, HINGE (S/P)
21	2196094	FILLER, WRAPPER (WHITE) (S/P)
21	2196095	FILLER, WRAPPER (ALMOND) DESCONTINUADO
22	2155476	GRILLE (S/P)
23	489327	SCREW (S/P)
30	1123510	HINGE, TOP (L.H.) (S/P)
31	2147310	TAP PLATE (2) DESCONTINUADO
35	489337	SCREW (S/P)
40	1113084	CORD, SERVICE (S/P)
41	2304888	FITTING, DRAIN (S/P)
42	1108438	EXTENSION TUBE (S/P)
43	1108439	CLIP, DRAIN TUBE (S/P)
47	1105531	COVER, UNIT (S/P)
48	*****	CABINET (NOT A SERVICEABLE PART)
49	1119789	HINGE COVER (ALMOND) (S/P)
49	1119787	HINGE COVER (WHITE) (S/P)
52	3196256	CLAMP, SERVICE CORD (S/P)
53	489084	SCREW, 8X 1/2 (S/P)
54	2155311	DOOR CLOSER, LOWER CAM (2)
55	489375	SCREW (S/P)

Distribuidor Autorizado

SurteRápido.com

Venta de Refacciones
Electrodomesticas

TS22BRXAN00 REFRIGERATOR LINER

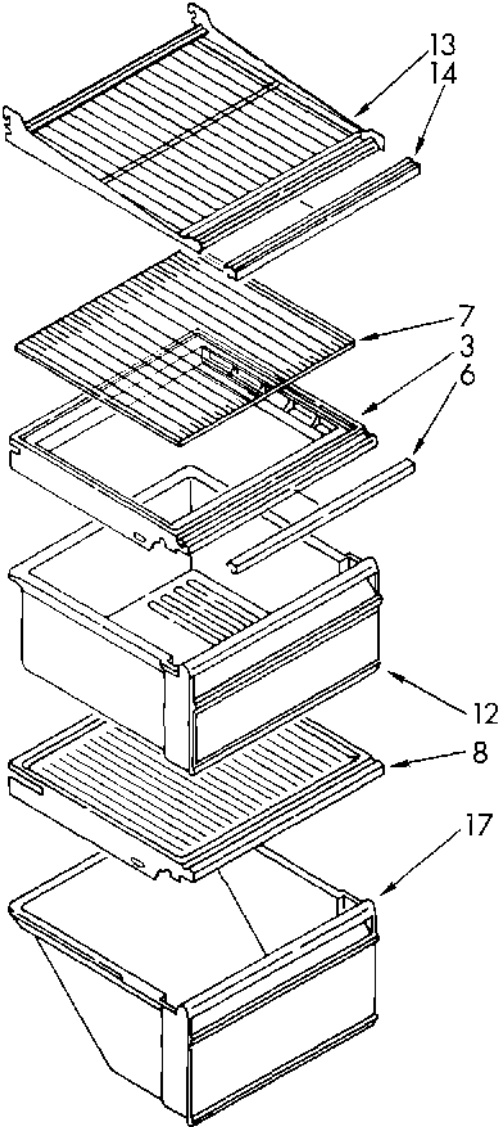




TS22BRXAN00 REFRIGERATOR LINER

1	*****	LINER (NOT A SERVICEABLE PART)
2	1116612	ESCUTCHEON, MEAT PAN CONTROL (S/P)
3	984102	SLIDE MEAT PAN CONTROL (S/P)
4	992358	PAD, FOAM (S/P)
5	486214	SCREW, 8-15 X 1/2 (S/P)
6	2149540	STUD (2)
9	1110718	STUD DESCONTINUADO
10	2181796	LADDER, SHELF (S/P)
11	486298	SCREW (2) (S/P)
12	2147997	STUD (2)
22	1123919	BRACKET, RETAINER (S/P)
23	489290	SCREW, (2) (S/P)
24	2209753	AIR DIFFUSER ASSEMBLY
25	2152019	COVER, AIR DIFFUSER (S/P)
26	2150331	COVER, CONDUIT (S/P)
27	487539	SCREW (S/P)
29	4387478	SOCKET
30	842534	CLIP, AIR DUCT (S/P)
33	311255	LIGHT BULB (S/P)
34	1118315	LIGHT LENS DESCONTINUADO

**TS22BRXAN00 REFRIGERATOR
SHELF**

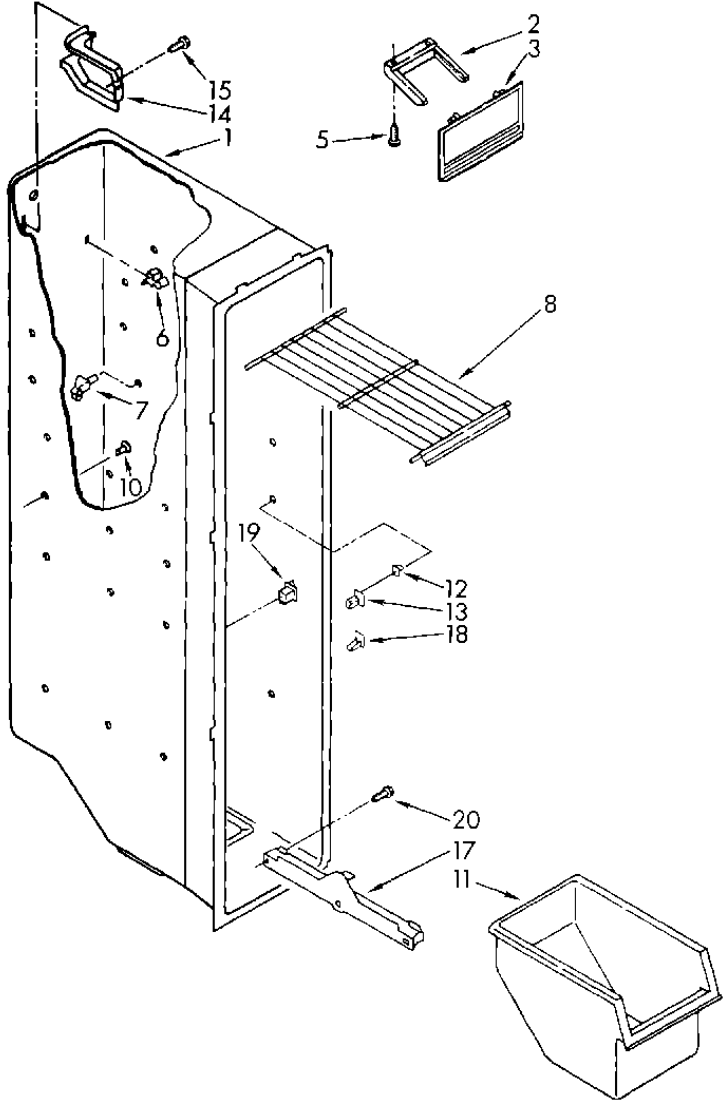




TS22BRXAN00 REFRIGERATOR SHELF

3	1126289	COVER, CRISPER
6	1110795	TRIM, CRISPER COVER (S/P)
7	1114687	GLASS, CRISPER COVER (S/P)
8	2148298	COVER, MEAT PAN
12	2148279	PAN, CRISPER (S/P)
13	1114301	SHELF, CANTILEVER (S/P)
14	1124421	TRIM, SHELF (S/P)
17	1110791	PAN, MEAT (S/P)

TS22BRXAN00 FREEZER LINER





TS22BRXAN00 FREEZER LINER

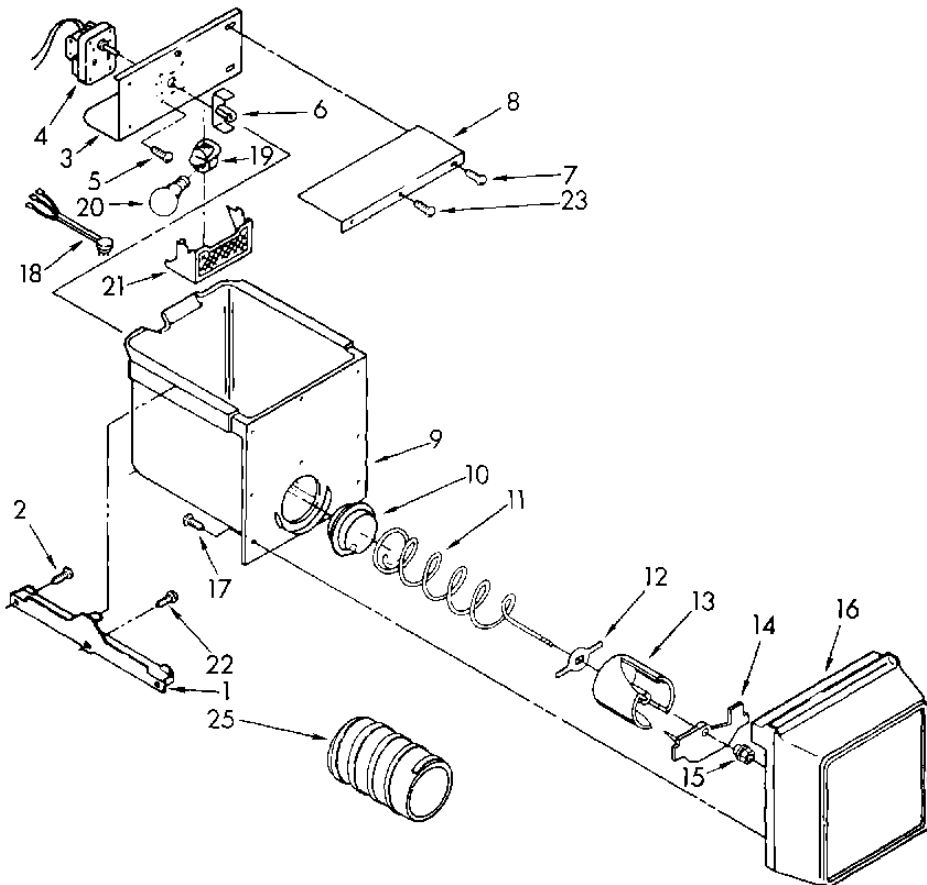
1	*****	LINER (NOT A SERVICEABLE PART)
2	1115380	SLIDE, ICE DOOR (S/P)
3	1116760	DOOR, ICE COMPARTMENT (S/P)
5	489242	SCREW, 8 X 1/2 (S/P)
6	842534	CLIP, AIR DUCT (2) (S/P)
7	939203	SUPPORT, STUD (4) (S/P)
8	2163619	SHELF, SMALL (1) DESCONTINUADO
8	2163618	SHELF, LARGE (2) DESCONTINUADO
10	1110779	GROMMET
11	2148194	BIN, FREEZER DESCONTINUADO
12	4388540	STUD, SUPPORT
13	4388540	STUD, FRONT
14	2155572	COVER, WIRING (S/P)
15	489176	SCREW (S/P)
17	1115383	SLIDE, FREEZER BIN (S/P)
18	4388540	STUD, REAR
19	4387911	SWITCH, ROCKER ARM (S/P)
20	487979	SCREW DESCONTINUADO

Distribuidor Autorizado

SurteRápido.com

Venta de Refacciones
Electrodomesticas

TS22BRXAN00 FREEZER INTERIOR





TS22BRXAN00 FREEZER INTERIOR

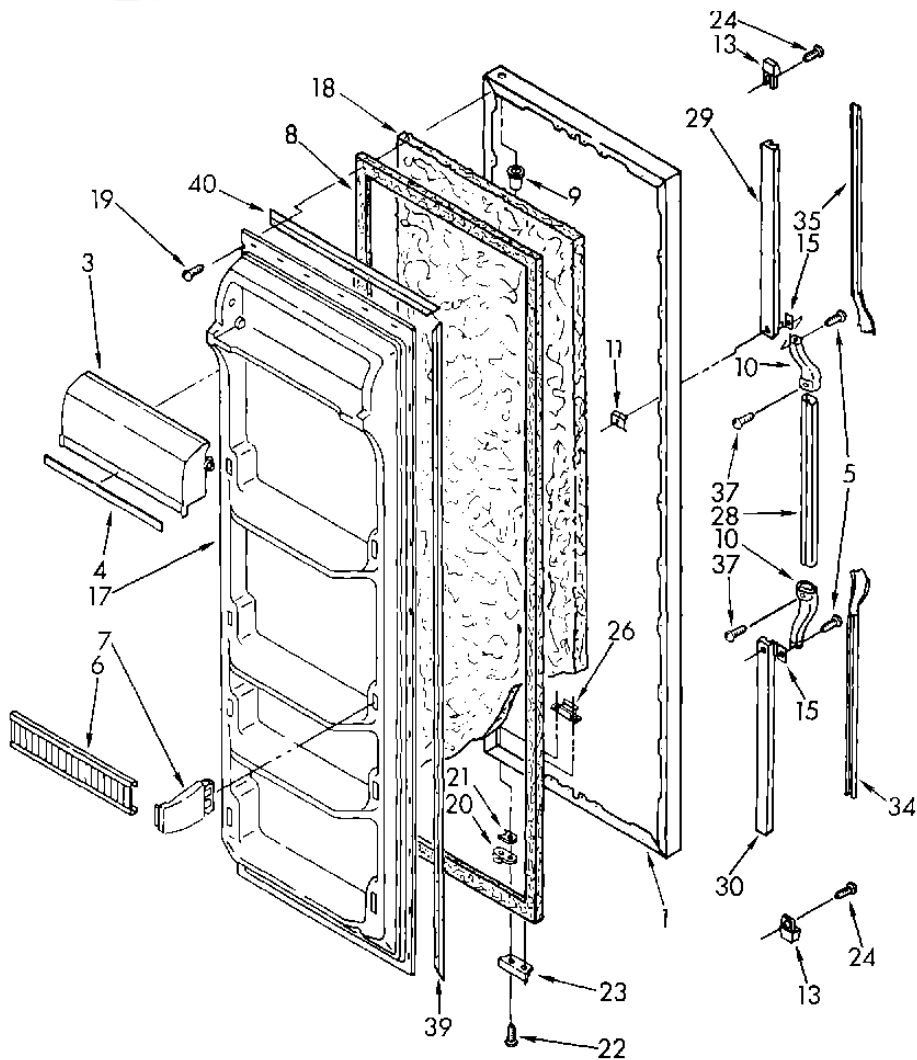
1	1119237	SLIDE, CONTAINER (LEFT SIDE) (S/P)
1	1119293	SLIDE, CONTAINER (RIGHT SIDE)
2	489100	SCREW, 8 X 1-3/8 (4) (S/P)
3	2254588	BRACKET, ICE DISPENSER (S/P)
4	2188241	MOTOR (S/P)
5	488906	SCREW, 8-32 X 5/16 (S/P)
6	983663	COUPLING, MOTOR (S/P)
7	489242	SCREW, 8 X 1/2 (S/P)
8	2254588	COVER, MOTOR (S/P)
9	2196089	ICE CONTAINER
10	983668	COUPLING
11	2196293	CONVEYOR (S/P)
12	4388496	DRIVE BAR
13	4388496	DRUM
14	2181722	BAFFLE (S/P)
15	946195	NUT, BEARING (S/P)
16	2171257	FRONT COVER (S/P)
17	488886	SCREW, 8-18 X 1/2 (S/P)
18	2194732	WIRING ASSEMBLY, ICE DISPENSER (S/P)
19	4387478	SOCKET, LIGHT
20	311255	LIGHT BULB (S/P)
21	983359	LENS, DISPENSER LIGHT (S/P)
22	489100	SCREW, 8 X 5/8 (S/P)
23	487294	SCREW, 8-32 X 3/8 (S/P)
25	4317870	SLEEVE, AUGER (S/P)

Distribuidor Autorizado

SurteRápido.com

Venta de Refacciones
Electrodomesticas

TS22BRXAN00 REFRIGERATOR DOOR





TS22BRXAN00 REFRIGERATOR DOOR

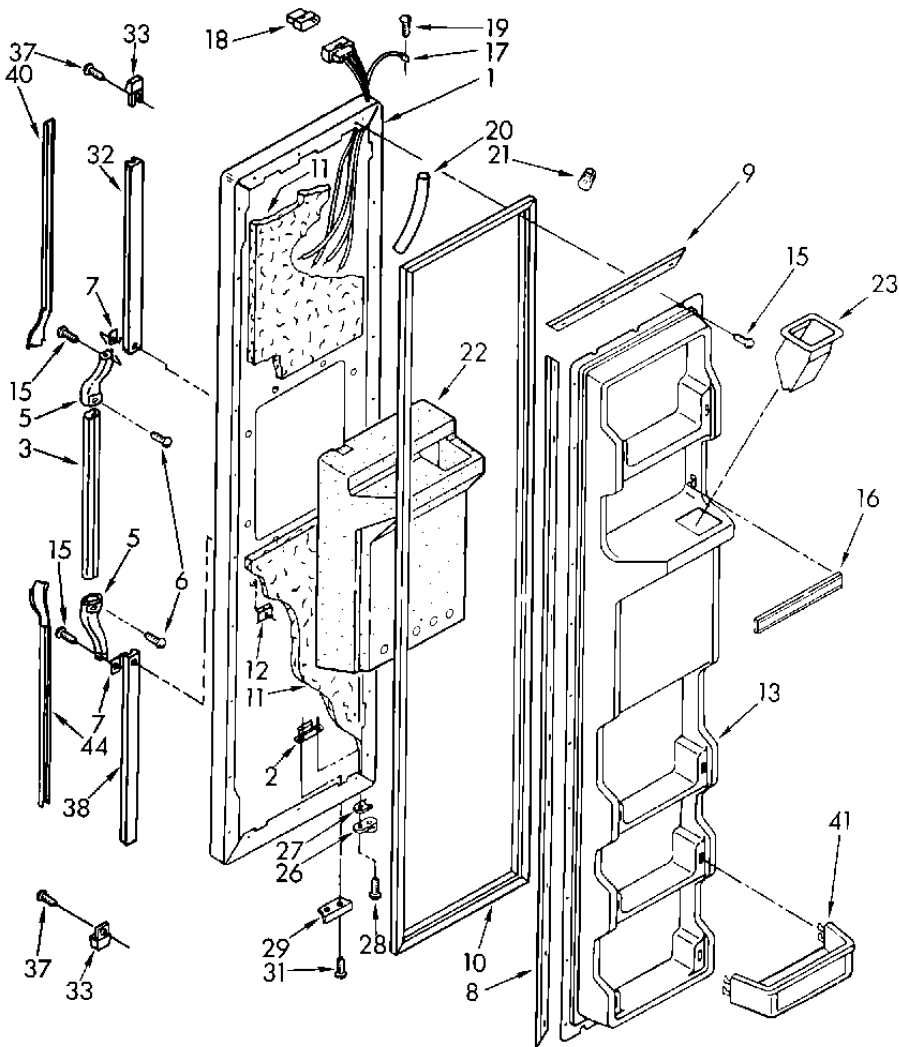
1	1115273	REFRIGERATOR DOOR (WHITE) (S/P)
1	1115276	REFRIGERATOR DOOR (ALMOND DESCONTINUADO)
3	2148289	DOOR, COMPARTMENT (S/P)
4	2188148	TRIM, COMPARTMENT DOOR (S/P)
5	489084	SCREW (S/P)
6	2152563	TRIM, DOOR SHELF (S/P)
7	1110713	END CAP (S/P)
8	2188404A	DOOR, GASKET MAGNETIC (S/P)
9	509929	CAP, HINGE SLEEVE
10	1119359	END CAP CENTER HANDLE
11	939101	SCREW ANCHOR (2) (S/P)
13	2156220	END CAP
15	935075	SHIM DESCONTINUADO
17	1129249	PANEL, INTERIOR DOOR (S/P)
18	876029	FOAM INSULATION (S/P)
19	489101	SCREW, (S/P)
20	4318165	DOOR CLOSER, UPPER CAM
21	1104787	SHIM, DOOR CLOSER (S/P)
22	488938	SCREW, 8 X 1/2 (S/P)
23	2195952	BRACKET, DOOR STOP (S/P)
24	489075	SCREW (S/P)
26	992245	TAP PLATE
27	489022	SCREW (S/P)
28	1119757	HANDLE CENTER (S/P)
29	941262	RETAINER, TOP DESCONTINUADO
30	941262	RETAINER, BOTTOM DESCONTINUADO
34	1118435	EXTENSION, BOTTOM (S/P)
35	1118436	EXTENSION, TOP (S/P)
37	489022	SCREW (S/P)
39	1117766	RETAINER, GASKET (S/P)
40	1118301	RETAINER, GASKET (S/P)

Distribuidor Autorizado

SurteRápido.com

Venta de Refacciones
Electrodomesticas

TS22BRXAN00 FREEZER DOOR





TS22BRXAN00 FREEZER DOOR

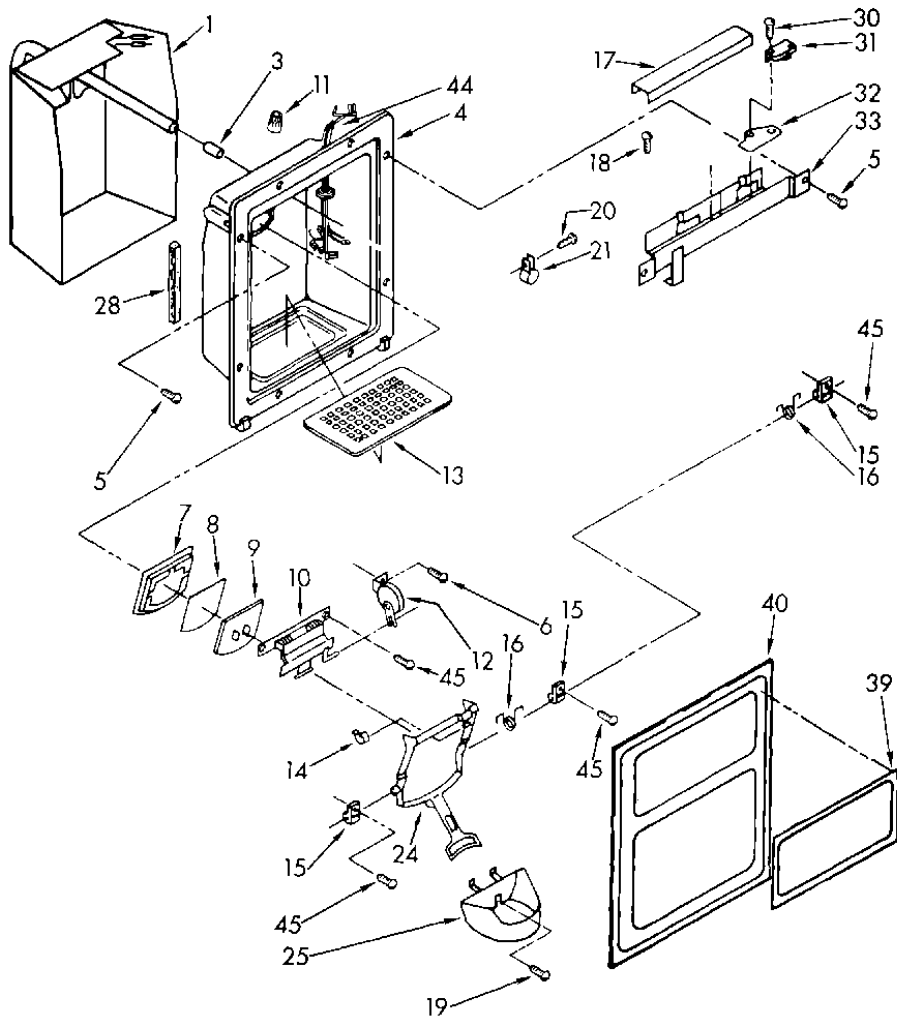
1	1115235	FREEZER, DOOR PANEL (WHITE) DESCONTINUADO
2	992245	TAP PLATE
3	1119757	HANDLE, CENTER (S/P)
5	1119359	END CAP, CENTER HANDLE (2)
6	489022	SCREW (S/P)
7	935075	SHIM DESCONTINUADO
8	1117766	RETAINER, GASKET (S/P)
9	1117767	RETAINER, GASKET (S/P)
10	2188405A	DOOR, GASKET MAGNETIC (S/P)
11	876029	FOAM INSULLATION (S/P)
12	939101	SCREW ANCHOR (2) (S/P)
13	4317819	PANEL, INTERIOR DOOR (S/P)
15	489084	SCREW (REPAIR) (S/P)
15	489101	SCREW, 7 X 1/2 (28) (S/P)
16	1120775	TRIM, DOOR SHELF (S/P)
17	1118032	HARNESS, DOOR (S/P)
18	936183	CONNECTOR, PLUG (S/P)
19	488889	SCREW, 8-32 X 5/32 (S/P)
20	2196117	TUBE, DOOR WIRING (S/P)
21	227991	WIRE CONNECTOR (S/P)
22	1116821	INSULATION, DISPENSER (S/P)
23	1109488	CHUTE, ICE DESCONTINUADO
26	4318165	DOOR CLOSER, UPPER CAM
27	1104787	SHIM, DOOR CLOSER (S/P)
28	488938	SCREW, 8 X 1/2 (S/P)
29	2195952	BRACKET, DOOR STOP (S/P)
31	488938	SCREW, 8 X 5/8 (S/P)
32	941262	RETAINER, TOP DESCONTINUADO
33	2156220	END CAP
38	941262	RETAINER, BOTTOM DESCONTINUADO
40	1118436	HANDLE INSERT TOP (S/P)
41	2170705	DOOR, SHELF DESCONTINUADO
44	1118435	HANDLE INSERT BOTTOM (S/P)

Distribuidor Autorizado

SurteRápido.com

Venta de Refacciones
Electrodomesticas

TS22BRXAN00 DISPENSER FRONT





TS22BRXAN00 DISPENSER FRONT

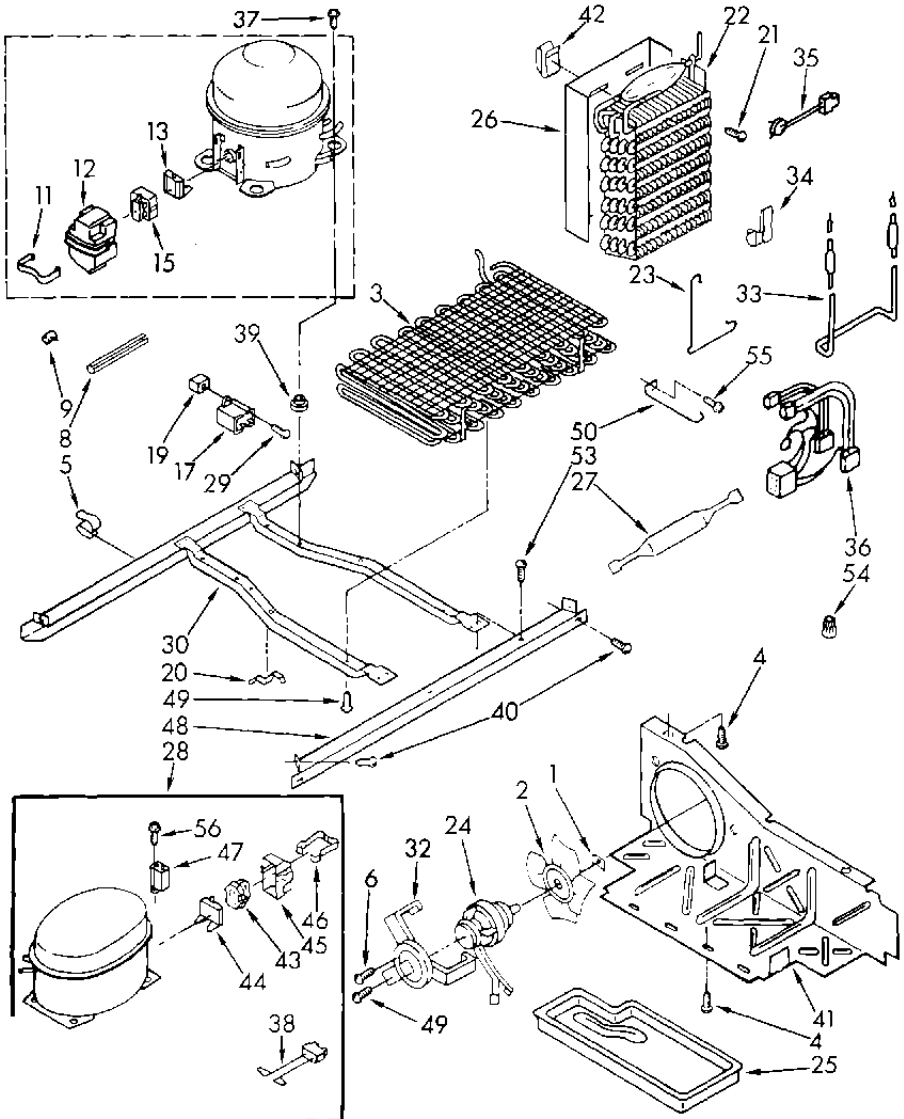
1	483058	HEATER, DISPENSER (S/P)
3	4387491	INSERT, TUBE (S/P)
4	1116820	HOUSING, DISPENSER DESCONTINUADO
5	488687	SCREW, 8 X 5/8 (10) (S/P)
6	488316	SCREW (S/P)
7	983691	GASKET, DOOR DESCONTINUADO
8	987121	SHIELD, ICE DOOR (S/P)
9	983690	DOOR, ICE (S/P)
10	482722	DOOR MECHANISM ASSEMBLY (S/P)
11	227991	WIRE CONNECTOR (S/P)
12	1120581	MECHANISM DELAY
13	2152678	GRILLE, OVERFLOW (S/P)
14	987917	CLIP, BEARING (2) (S/P)
15	983697	BEARING, LEVER (3) (S/P)
16	983696	SPRING, LEVER (2)
17	984494	SHIELD, WIRING (S/P)
18	488500	SCREW, 8-32 X 3/8 (2) (S/P)
19	489197	SCREW (S/P)
20	488886	SCREW, 8-18 X 1/2 (S/P)
21	488878	CLAMP 8 X 3/8 (2) (S/P)
24	1127421	LEVER, ICE DISPENSER
25	1124730	GUIDE, ICE
28	482672	SEAL (S/P)
30	489155	SCREW, 4-40 X 3/4 (4) (S/P)
31	814037	SWITCH (2) (S/P)
32	984683	INSULATOR, SWITCH (2) (S/P)
33	1116811	BRACKET, CONTROL (S/P)
39	2152693	PLAQUE, FRONT COVER (S/P)
40	2147404	FRONT COVER, HOUSING (INCLUDES ITEM 39) (S/P)
44	1118374	WIRING ASSEMBLY, DOOR (S/P)
45	489000	SCREW, 9-12 X 1/2 (S/P)

Distribuidor Autorizado

SurteRápido.com

Venta de Refacciones
Electrodomesticas

TS22BRXAN00 UNIT



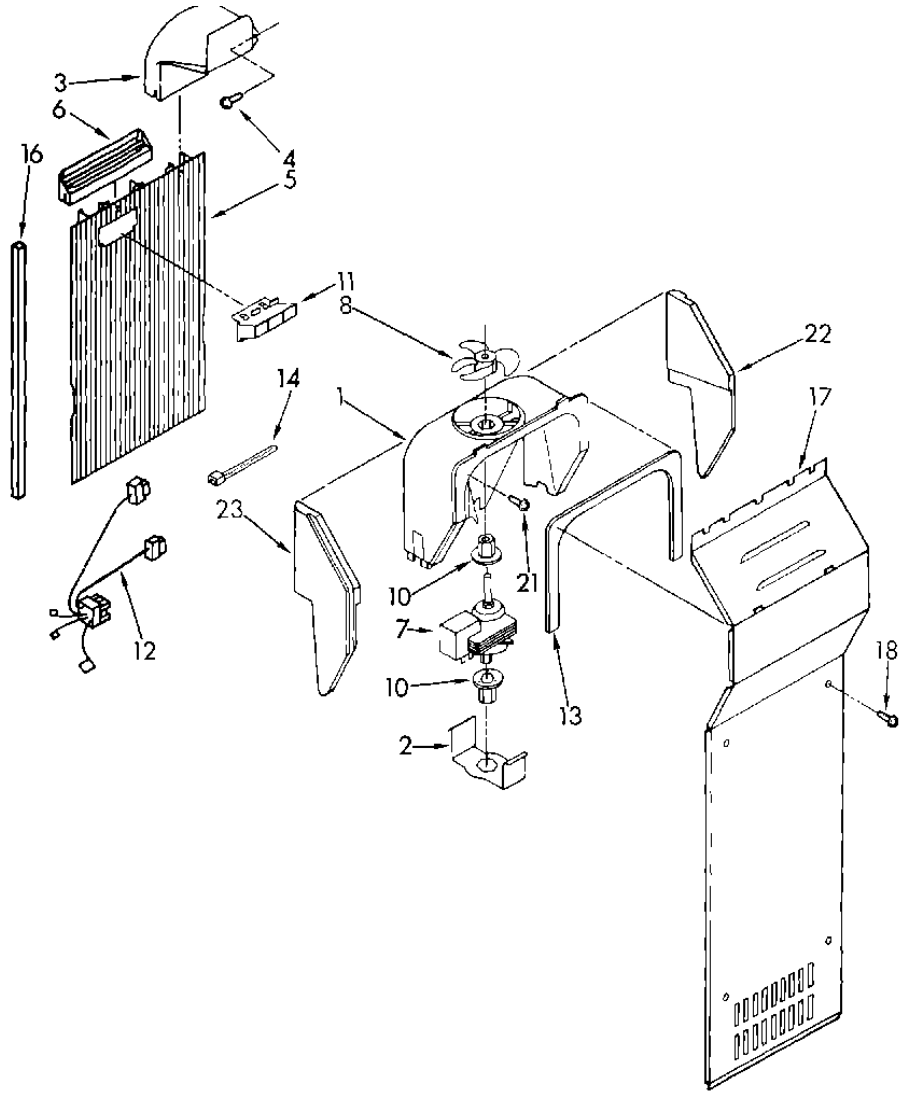


TS22BRXAN00 UNIT

1	486692	SPEED NUT (S/P)
2	1108179	FAN, BLADE (S/P)
3	2198175	CONDENSER ASSEMBLY (S/P)
4	489337	SCREW (S/P)
5	2208280	CLIP, WIRE (S/P)
6	489019	SCREW, 8-32 X 3/8 (S/P)
8	2162499	SLEEVE (S/P)
9	2158826	DAMPENER (S/P)
11	943322	SPRING, RELAY CASE (S/P)
12	1105055	CASE, RELAY (S/P)
13	819098	OVERLOAD (INCLUDES RELAY) (S/P)
15	*****	RELAY (NOT A SERVICEABLE PART)
17	2169373	RUNNING CAPACITOR
19	937252	SCREW GROMMET (S/P)
20	548744	CLIP, UNIT COVER (2) (S/P)
21	489242	SCREW (S/P)
22	2188822	EVAPORATOR (S/P)
23	2161329	CLAMP (S/P)
24	833697	FAN, MOTOR
25	2154114	TRAY, EVAPORATOR (S/P)
26	2256149	HEAT SHIELD (S/P)
27	4387019	DRIER (S/P)
28	4387769	COMPRESSOR (S/P)
29	488687	SCREW (S/P)
30	2160500	UNIT MOUNTING FRAME (S/P)
32	548695	FAN, MOTOR BRACKET (S/P)
33	2161322	HEATER, DEFROST (S/P)
34	2161330	CLIP DESCONTINUADO
35	2321799	DEFROST, BI-METAL
36	2176859	UNIT, HARNESS (S/P)
37	489387	SCREW (S/P)
38	2172890	WIRE, CONNECTOR (S/P)
39	2162067	GROMMET (4) (S/P)

40	489340	SCREW (S/P)
41	2196202	BAFFLE, AIR (S/P)
42	2155547	CLIP, HEAT SHIELD (S/P)
43	2262181	RELAY (S/P)
44	819198	OVERLOAD (S/P)
45	1108115	COVER (S/P)
46	938384	STRAP (S/P)
47	269373	CAPACITOR (S/P)
48	2149718	UNIT MOUNTING RAIL (S/P)
49	488624	SCREW (S/P)
50	1105612	GUARD, FAN (S/P)
53	489339	SCREW, 1/4-28 X 1/2 (2) (S/P)
54	227991	WIRE CONNECTOR (S/P)
55	488649	SCREW, 8-32 X 1/2 (S/P)
56	487240	SCREW (S/P)
56	978027	VALVE, ACCESS (3/8``) (S/P)
56	978030	VALVE, ACCESS (3/4``) (S/P)
56	978025	VALVE, ACCESS (1/4``) (S/P)
56	978026	VALVE, ACCESS (5/16``) (S/P)
56	978028	VALVE, ACCESS (1/2``) (S/P)
56	876764	VALVE, ACCESS (3/16``) (S/P)
56	978029	VALVE, ACCESS (5/8``) (S/P)

TS22BRXAN00 AIR FLOW





TS22BRXAN00 AIR FLOW

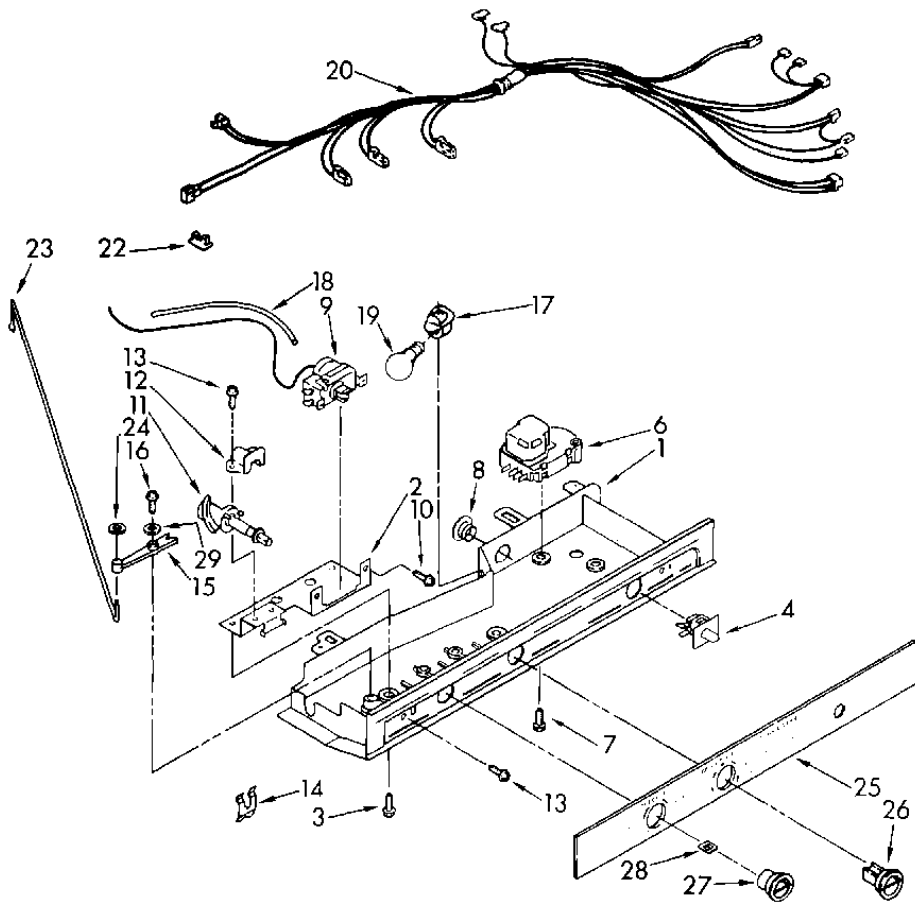
1	2155593	FAN SCROLL (S/P)
2	2155590	RETAINER, FAN MOTOR (S/P)
3	2161231	AIR SCOOP (S/P)
4	489176	SCREW (S/P)
5	4388357	AIR DUCT FREEZER (S/P)
6	2149544	DIFFUSER, AIR DUCT (S/P)
7	4389144	FAN MOTOR
8	2169142	FAN BLADE (S/P)
10	2155589	GROMMET, FAN (2) (S/P)
11	2182146	DUCT, ICEMAKER (S/P)
12	2149197	HARNESS, FAN EVAPORATOR (S/P)
13	2155789	GASKET COVER (S/P)
14	3347868	WIRE TIE (S/P)
16	3204241	GASKET (S/P)
17	4388357	COVER, EVAPORATOR (S/P)
18	489355	SCREW (S/P)
21	489242	SCREW (S/P)
22	4388358	SUPPORT, R.S. (S/P)
23	4388358	SUPPORT, L.S (S/P)

Distribuidor Autorizado

SurteRápido.com

Venta de Refacciones
Electrodomesticas

TS22BRXAN00 CONTROL





TS22BRXAN00 CONTROL

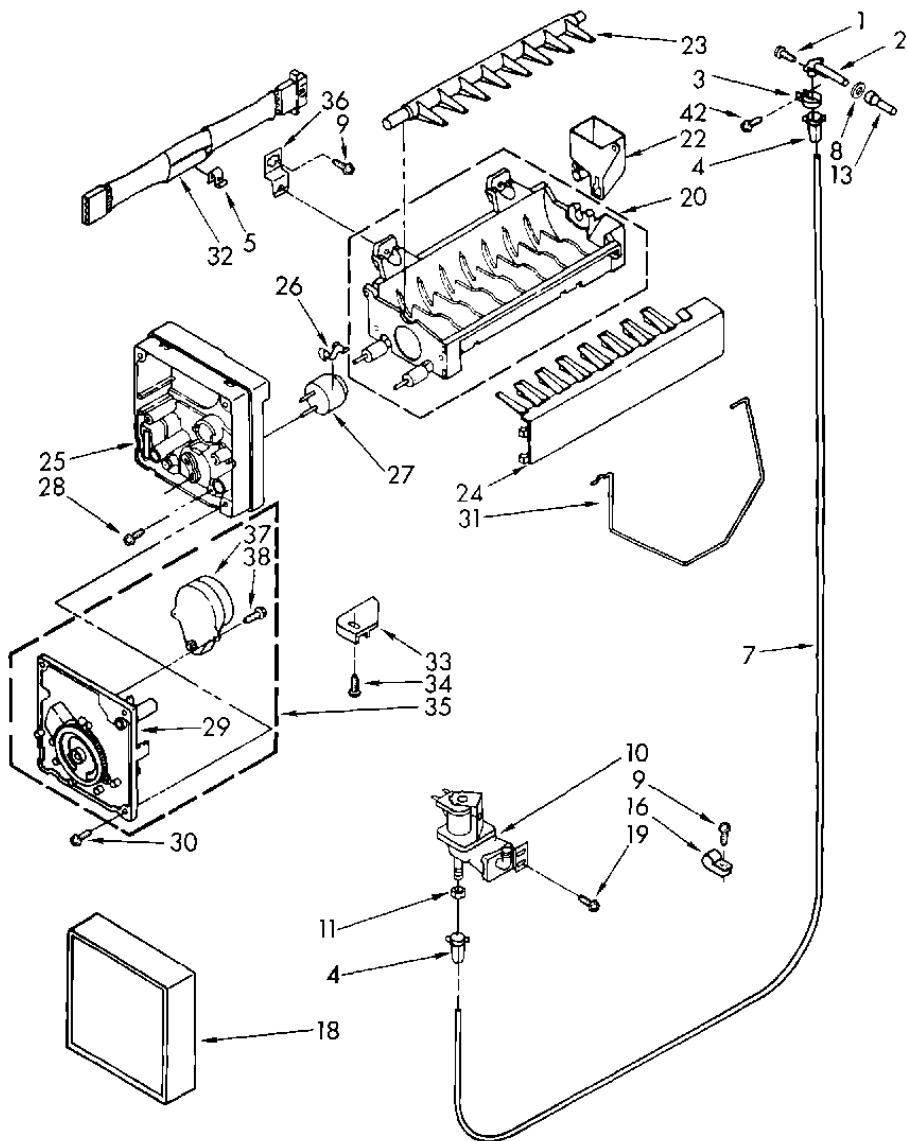
1	4389197	CONTROL BOX DESCONTINUADO
2	1110629	MOUNTING BRACKET (S/P)
3	489190	SCREW (2) (S/P)
4	1116849	LIGHT SWITCH (S/P)
6	482493	DEFROST TIMER (10 HR.)
7	489192	SCREW (2) (S/P)
8	940014	HOLE PLUG (S/P)
9	2198202	THERMOSTAT ASSEMBLY
10	487869	SCREW, 8 X 3/8 (2) (S/P)
11	2182195	CAM ASSEMBLY (S/P)
12	1110560	BEARING BODY (S/P)
13	489242	SCREW, (2) 8 X 1/2 (S/P)
14	2182195	RETAINER, DAMPER (S/P)
15	1110559	PIVOT ARM (S/P)
16	627068	SCREW (S/P)
17	4387478	LIGHT SOCKET
18	2196003	THERMOSTAT, BARRIER (S/P)
19	311255	LIGHT BULB (S/P)
20	2149185	CONTROL BOX HARNESS (S/P)
22	1115375	CLIP, WIRING (S/P)
23	1123960	CONNECTING ROD (S/P)
24	489285	FASTENER, PUSH-ON (S/P)
25	2152647	ESCUTCHEON, CONTROL BOX (S/P)
26	2182111	KNOB, THERMOSTAT (S/P)
27	2197871	KNOB, AIR CONTROL (S/P)
28	837444	KNOB, RETAINER (S/P)
29	489203	SPRING WASHER (S/P)

Distribuidor Autorizado

SurteRápido.com

Venta de Refacciones
Electrodomesticas

TS22BRXAN00 ICE MAKER





TS22BRXAN00 ICE MAKER

2	2196157	FITTING, WATER TUBE
3	488878	CLAMP, TUBE (S/P)
4	4387491	INSERT, TUBE (S/P)
5	628379	CLIP, FUSE (S/P)
7	4387492	TUBE, WATER (S/P)
8	1106508	SEAL, GASKET (S/P)
9	489242	SCREW, 8 X 1/2 (S/P)
10	2315576	VALVE, SOLENOID (S/P)
11	627018	NUT, COMPRESSION (S/P)
13	4378431	TUBE, WATER INLET (S/P)
16	488366	CLAMP, TUBE (S/P)
18	628355	COVER DESCONTINUADO
19	488649	SCREW, 8-32 X 1/2 (S/P)
20	628228	MOLD & HEATER ASSEMBLY (S/P)
22	628356	FILL CUP (S/P)
23	627843	EJECTOR (S/P)
24	2182124	ICE STRIPER (S/P)
25	2195914	SUPPORT (S/P)
26	2315522	RETAINER, THERMOSTAT (S/P)
27	627985	THERMOSTAT
28	489322	SCREW, (S/P)
29	628357	MOTOR MODULE (S/P)
30	489276	SCREW (S/P)
31	2304354	SHUT OFF ARM (S/P)
32	2187464	HARNESS, WIRING (S/P)
33	628320	BRACKET (S/P)
34	489365	SCREW, 8-32 X 27/64 (S/P)
35	628366	MODULE ASSEMBLY (S/P)
36	2155021	CLIP, SUPPORT (2) (S/P)
37	628258	MOTOR (S/P)
38	489136	SCREW, 3-24 X 23/64 (S/P)
42	799833	KIT, EVAPORATOR REPAIR DESCONTINUADO