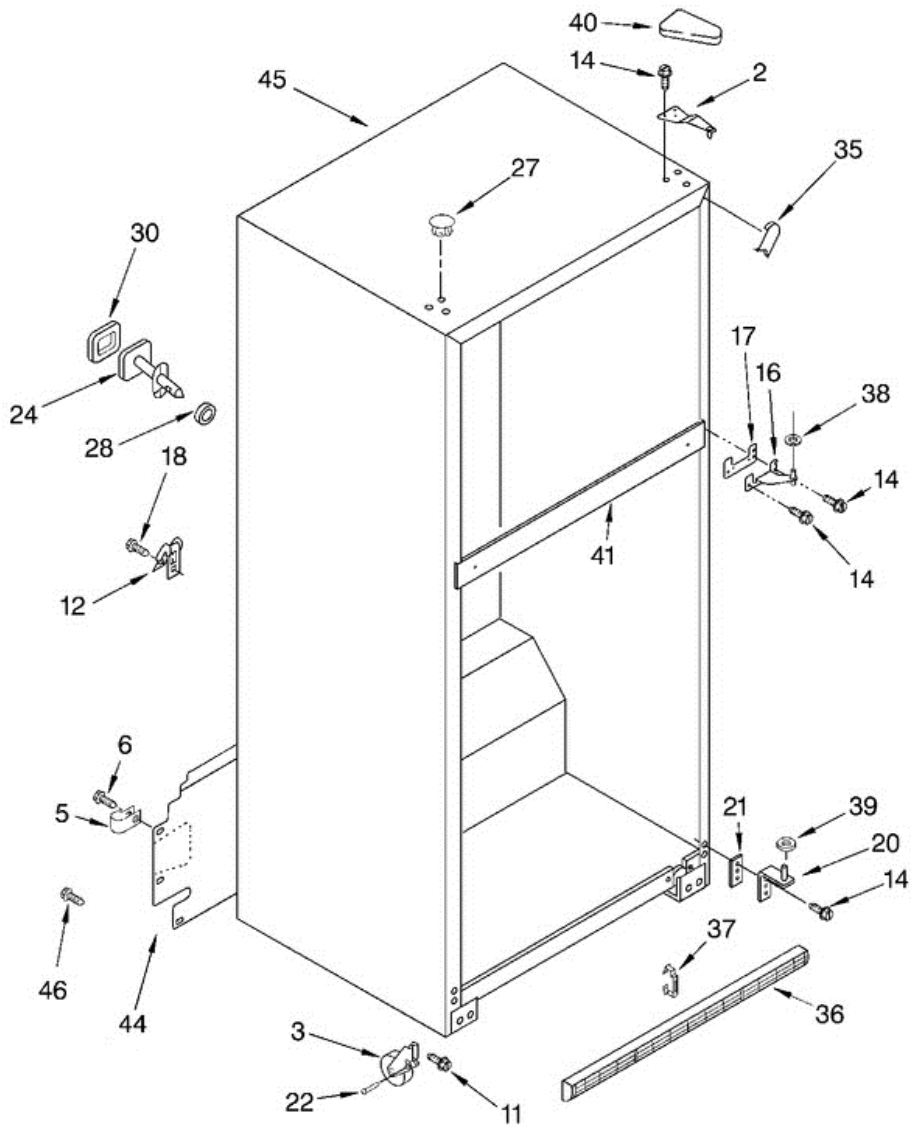


TT21AKXKQ03 CABINET

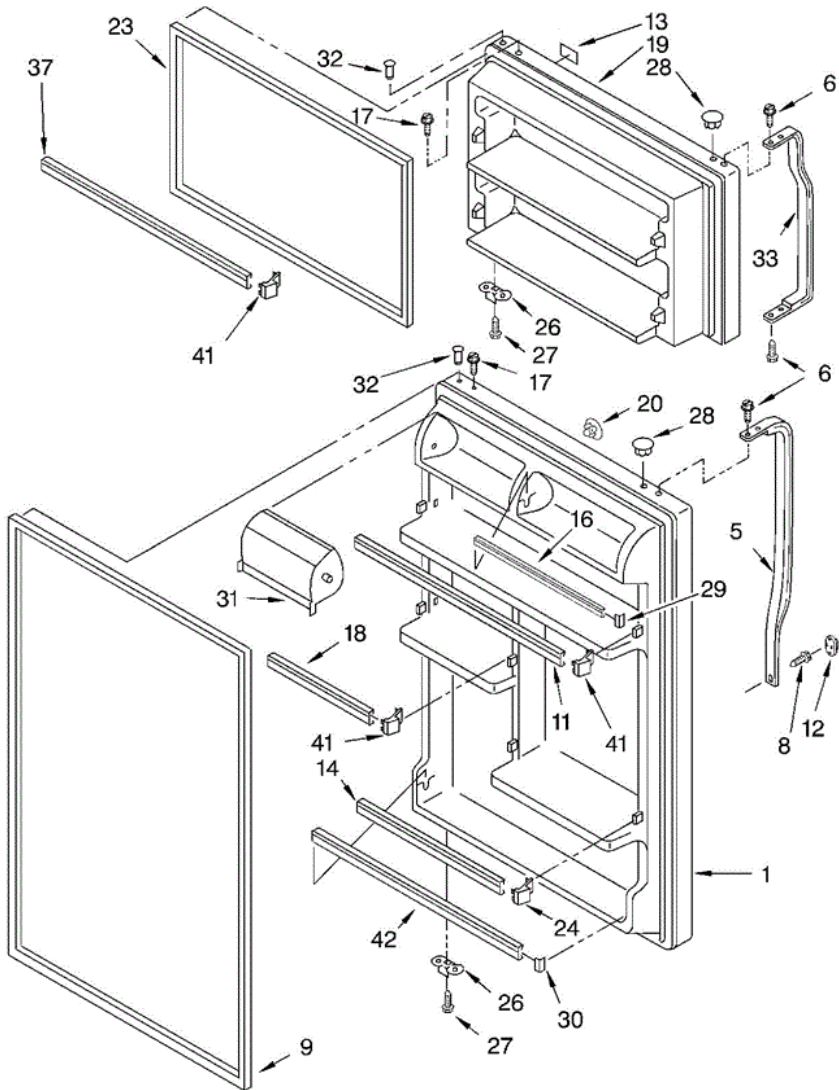




TT21AKXKQ03 CABINET

2	2189410	HINGE (TOP)
3	2166108	ROLLER, FRONT (2)
5	489385	CLAMP, TUBE (WATER SUPPLY LINE)
6	489464	SCREW
11	3400504	SCREW
12	549193	CLAMP, CORD
14	489497	SCREW
16	2183972	HINGE, CENTER
17	2183854	SHIM, HINGE CENTER
18	8281265	SCREW
20	2189194	HINGE BUTT
21	2172743	SHIM, BOTTOM HINGE
22	2179826	RIVET
24	N/A	FITTING, WATER TUBE (NOT SERVICED)
27	2200924	HOLE PLUG (6) (BISCUIT)
27	2201012	HOLE PLUG (6) (WHITE)
28	N/A	SEAL, FRONT (NOT SERVICED)
30	N/A	SEAL, REAR (NOT SERVICED)
35	2200926	CORNER FILLER (2) (BISCUIT)
35	2201014	CORNER FILLER (2) (WHITE)
36	2254313	GRILLE (WHITE)
36	2254316	GRILLE (BISCUIT)
37	2189356	CLIP, GRILLE
38	489341	WASHER
39	487576	WASHER
40	2213360	COVER, HINGE (WHITE)
40	2213364	COVER-HINGE (BISCUIT)
41	N/A	RAIL CENTER (NOT SERVICED)
44	2202884	COVER, UNIT
45	N/A	CABINET (NOT A SERVICEABLE PART)
46	488208	SCREW

TT21AKXKQ03 DOOR

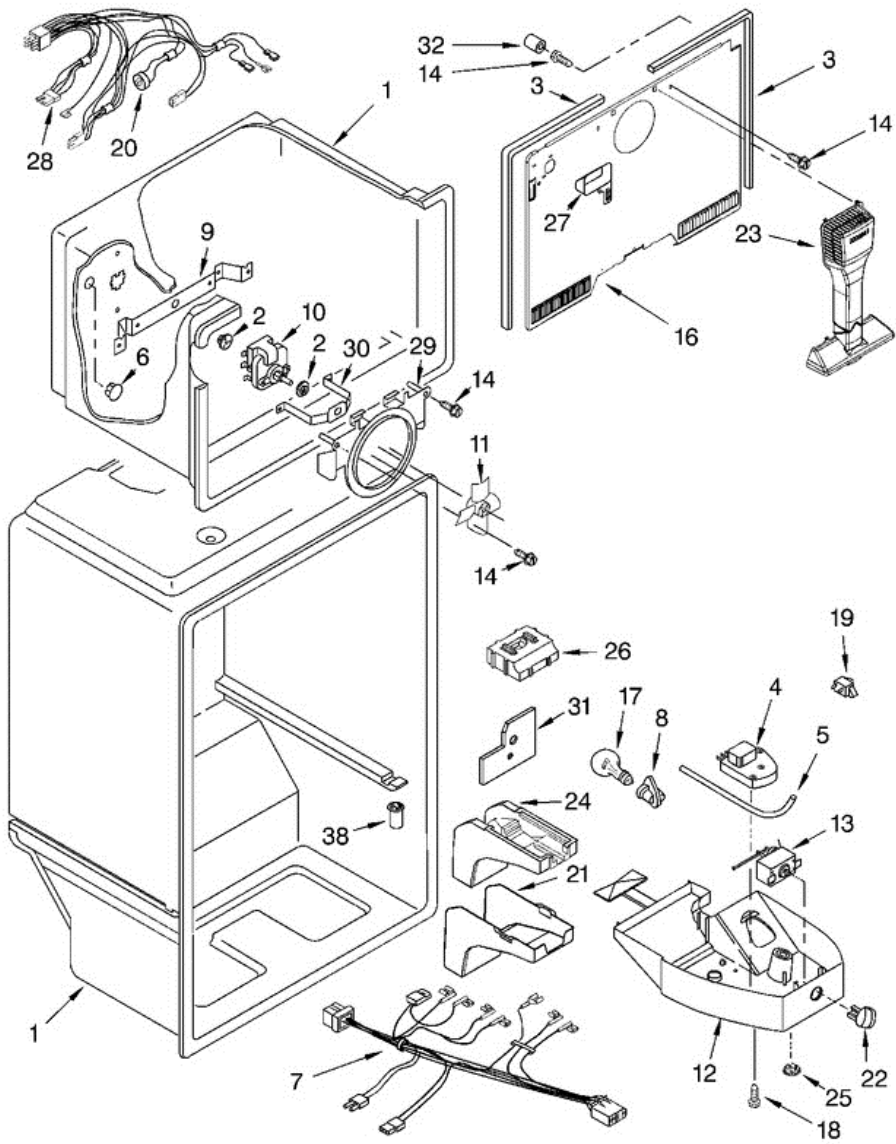




TT21AKXKQ03 DOOR

1	2183915	REFRIGERATOR DOOR (INCLUDES 9 & 32) (WHITE)
1	2205282	REFRIGERATOR DOOR (INCLUDES 9 & 32) (BISCUIT)
5	2202807T	HANDLE CENTER (BISCUIT)
5	2202807W	HANDLE CENTER (WHITE)
8	8281146	SCREW
9	2202875	DOOR GASKET, MAGNETIC
11	2201061	TRIM, DOOR SHELF
12	2202819W	COVER, SCREW
13	2200749	NAMEPLATE (WHITE)
13	2218190	NAMEPLATE (BISCUIT)
14	2195943	TRIM, DOOR SHELF
16	2195378	TRIM, DOOR SHELF
17	8281206	SCREW
18	2201062	TRIM, DOOR SHELF
19	2182489	FREEZER DOOR (INCLUDES 23 & 32) (WHITE)
19	2204686	FREEZER DOOR (INCLUDES 23 & 32) (BISCUIT)
20	2189000	HOLE PLUG (WHITE)
20	2200936	HOLE PLUG (BISCUIT)
23	2214967	DOOR GASKET, MAGNETIC
24	2195915	ENDCAP (2)
26	2189202	BRACKET, DOOR STOP (2)
27	488921	SCREW
28	2212648	HOLE PLUG (WHITE)
28	2212649	HOLE PLUG (BISCUIT)
29	2156007	PLUG, TRIM
30	2156006	PLUG, TRIM
31	2218118	COMPARTMENT DOOR
32	2183003	THIMBLE
33	2202806T	HANDLE, F.C. (BISCUIT)
33	2202806W	HANDLE, F.C. (WHITE)
37	2201060	TRIM-DOOR (2)
41	2156003	ENDCAP (6)
42	2195948	TRIM, DOOR

TT21AKXKQ03 LINER

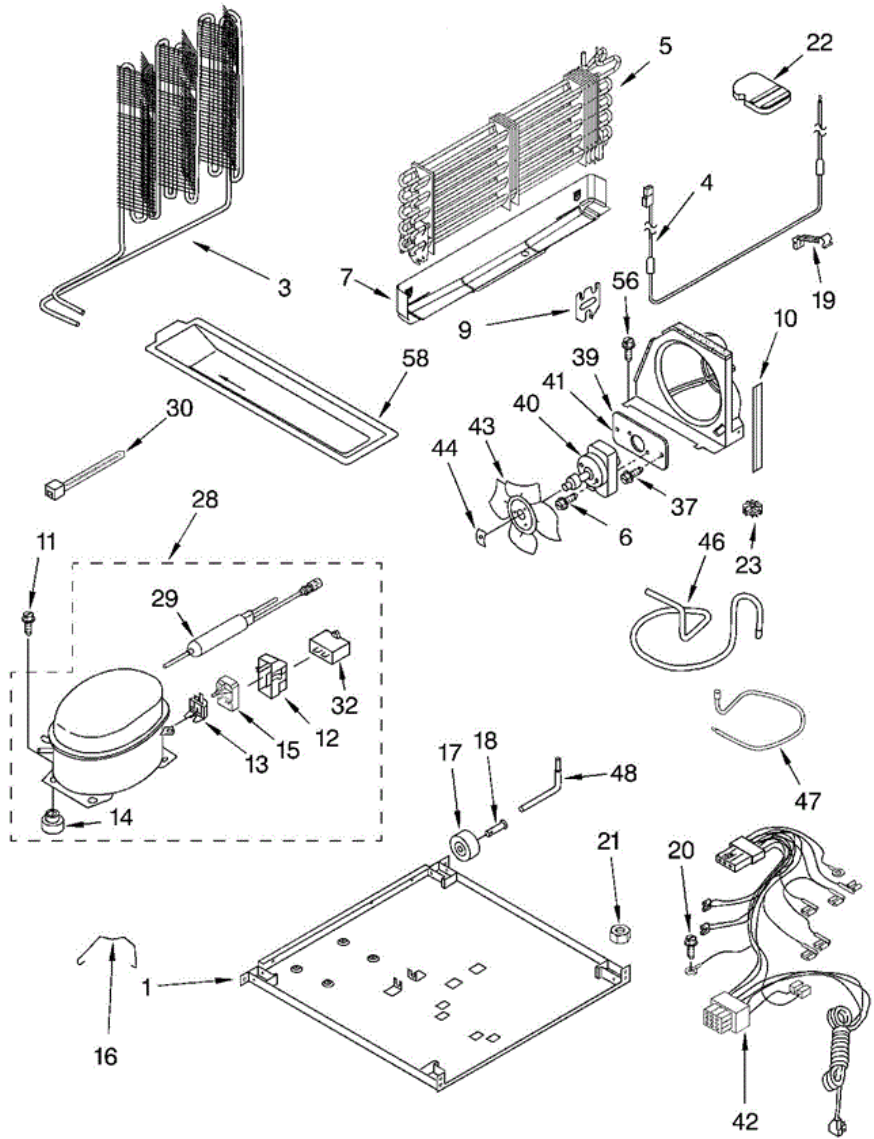




TT21AKXKQ03 LINER

1	N/A	LINER (NOT A SERVICEABLE PART)
2	2197380	GROMMET (2)
3	2254360	GASKET, EVAPORATOR COVER (2)
4	2188376	DEFROST TIMER
5	2204640	THERMOSTAT TUBE, BARRIER
6	941839	HOLE PLUG
7	2221668	WIRE ASSEMBLY, CONTROL BOX
8	2162085	SOCKET, LIGHT (2) TIMER
9	2214976	BRACKET, EVAP. FAN, REAR
10	2214986	FAN MOTOR
11	2163777	FAN BLADE
12	2218381	CONTROL BOX
13	2204605	THERMOSTAT ASSY.
14	489478	SCREW
16	2254263	COVER, EVAPORATOR
17	2160708	LIGHT BULB
18	98129	SCREW
19	1118894	ROCKER ARM SWITCH
20	2221677	DEFROST BI-METAL
21	2176281	COVER, AIR DIFFUSER
22	2202885	KNOB, THERMOSTAT
23	2254354	AIR TOWER
24	2189452	AIR DIFFUSER, BOTTOM
25	940014	HOLE PLUG, CONTROL BOX
26	2204690	AIR DIFFUSER, TOP
27	2205003	COVER, HOLE
28	2187690	WIRE ASSEMBLY, FREEZER COMPARTMENT
29	2218696	BRACKET, FAN MOTOR
30	2214979	BRACKET, EVAP. FAN, FRONT
31	2204639	SHIELD, HEAT
32	487996	CAP
38	2171931	VALVE, TUBE BODY

TT21AKXKQ03 UNIT



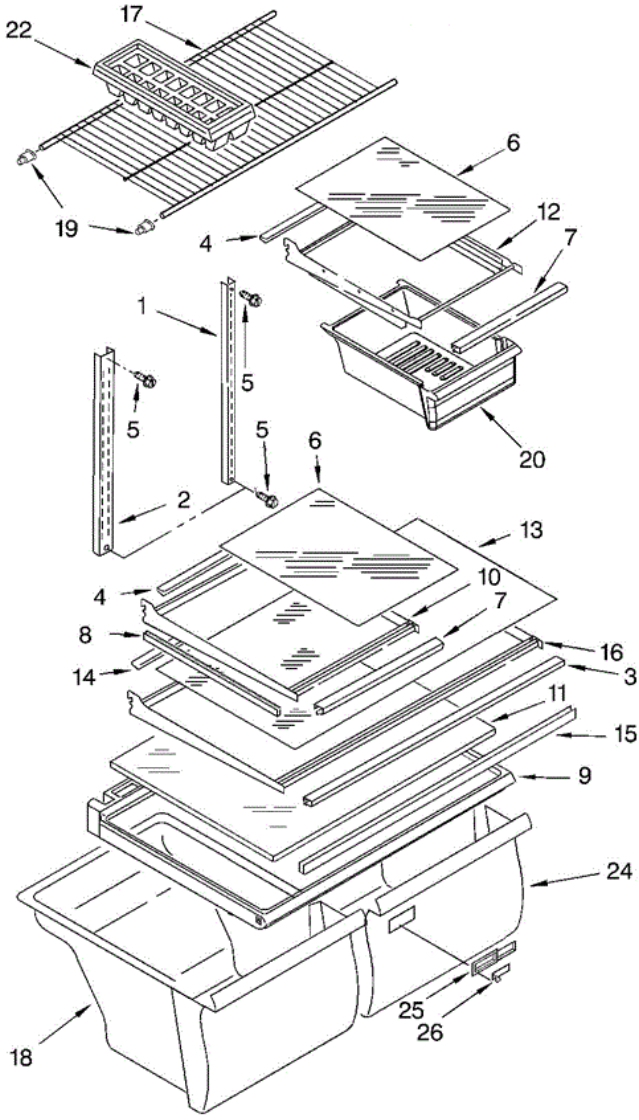


TT21AKXKQ03 UNIT

1	2225596	PLATE, UNIT MOUNTING
3	2214960	CONDENSER
4	2166124	HEATER, DEFROST
5	2254249	EVAPORATOR ASSY.
6	8281197	SCREW
7	2254295	DRAIN PAN
9	2176301	BRACKET, HEATER
10	2163780	EXTENSION, AIR BAFFLE
11	489373	SCREW
12	4387731	COVER (SERVICE ONLY)
13	4387766	OVERLOAD SERVICE (ONLY) (INCLUDES RELAY)
14	1100826	GROMMET (4) (PRODUCTION)
14	4387558	GROMMET (4) (SERVICE)
15	2225785	START-DEVICE COMBINATION
16	2255113	STRAP
17	2150304	ROLLER (2)
18	2221797	RIVET
19	2182338	CLIP, HEATER
20	488500	SCREW
21	N/A	NUT (NOT SERVICED)
22	2201185	SUPPORT BLOCK
23	531933	GROMMET
28	2225833	COMPRESSOR (INCLUDES ITEMS 12,13,14,29 & 32)
29	2199167	DRIER (PRODUCTION)
29	4387019	DRIER (SERVICE)
30	2155774	CLAMP
32	2169373	CAPACITOR (PRODUCTION)
32	4387764	CAPACITOR (SERVICE)
37	489494	SCREW
39	2198921	AIR BAFFLE
40	2206005	MOTOR, CONDENSER
41	2210750	PLATE
42	2187382	WIRE ASSEMBLY, UNIT

43	2190685	FAN, BLADE
44	486692	NUT
46	2225564	TUBE, DISCHARGE
47	2225565	TUBE, SUCTION
48	2212848	TUBE, PROCESS
56	3400518	SCREW
58	2225517	EVAPORATOR TRAY
58	876764	VALVE, ACCESS (3/16``)
58	978025	VALVE, ACCESS (1/4``)
58	978026	VALVE, ACCESS (5/16``)
58	978027	VALVE, ACCESS (3/8``)
58	978028	VALVE, ACCESS (1/2``)
58	978029	VALVE, ACCESS (5/8``)
58	978030	VALVE, ACCESS (3/4``)
58	N/A	REFRIGERANT CHARGE 4.0 OZS. (R134A)

TT21AKXKQ03 SHELF





TT21AKXKQ03 SHELF

1	2210522	SHELF, LADDER (2)
2	2202821	SHELF, LADDER CENTER
3	2188691	TRIM, SHELF FRONT
4	2188689	TRIM, SHELF REAR
5	489478	SCREW
6	2200987	GLASS, SHELF
7	2188685	TRIM, SHELF FRONT
8	2188711	TRIM, SHELF SIDE
9	2210524	CRISPER COVER
10	2201102E	SHELF, CANTILEVER
11	2210573	GLASS, CRISPER COVER
12	2201106	PAN, SHELF CANTILEVER
13	2200988	GLASS, FULL SHELF
14	2188687	TRIM, SHELF REAR
15	2163832	CRISPER, SUPPORT
16	2201104E	SHELF, FULL CANTILEVER
17	2189454	SHELF, FREEZER
18	2218124	CRISPER PAN
19	2163762	CUP, SHELF MTG.
20	2218132K	PAN, MEAT
22	841180	ICE TRAY (2)
24	2218141	CRISPER PAN
25	2212446	HUMIDITY, CONTROL, BODY
26	1117510	TORX KEY
26	212643	SEALER, GUM (4 FEET)
26	2171811	IMKIT94
26	2176222	HUMIDITY, CONTROL, SLIDE
26	350930	PAINT, PRESSURIZED SPRAY 12 OZ.) (WHITE)
26	350939	ENAMEL, BLACK (12 OZ. SPRAY CAN)
26	350942	PRIMER, WHITE (12 OZ. SPRAY CAN)
26	350956	ENAMEL, ALMOND (12 OZ. SPRAY CAN)
26	4392899	BRUSH TOUCH-UP KIT (BISCUIT
26	4392900	PAINT, BULK (1 QT.) (BISCUIT (UNCUT))

26	4392901	PAINT, PRESSURIZED SPRAY (12 OZ.) (BISCUIT)
26	479502	TAPE, VINYL (3/4 X 108``)
26	503695	CORK, SEALER (1/4 POUND)
26	505587	SEALER, MASTIC (1 QT.)
26	511873	PAINT, TOUCH-UP 1/2 OZ. (WHITE PORCELAIN)
26	542638	GREASE, SILICONE (1/2 OZ.)
26	542639	CEMENT, ALUMILASTIC (1-1/4 OZ.)
26	606755	BAG, INSULATION (36-5/8`` X 46``)
26	72017	PAINT, TOUCH-UP (1/2OZ.) (WHITE)
26	72032	PAINT, TOUCH-UP (1/2OZ.) (BLACK)
26	72107	PAINT, TOUCH-UP (1/2OZ.) (ALMOND)
26	799340	ENAMEL, BLACK (1 QT. UNCUT)
26	799344	PAINT, BULK (1 QT.) (WHITE (UNCUT))
26	799832	KIT, PORCELAIN REPAIR (WHITE)
26	799833	KIT, EVAPORATOR REPAIR (ALUMINUM EPOXY)
26	833938	KIT, TERMINAL CONNECTOR
26	876029	KIT, FOAM SLAB (30`` X 32-1/2`` X 1-1/2``)
26	876305	KIT, INSULATION (14 PCS. 3`` X 24`` X 48``)
26	876370	KIT, INSULATION (2 PCS.) 3`` X 24`` X 48``)
26	978883	ENAMEL, ALMOND (1 QT. UNCUT)
26	978941	INSULATION, FIBERGLASS (63-1/2`` X 35-1/2`` X 2-5/8``)
26	N/A	FIELD INSTALLABLE ICE MAKER
26	N/A	TORX SCREW WRENCH
26	N/A	REFINISHING MATERIAL
26	N/A	CUSTOMER TOUCH-UP MATERIAL