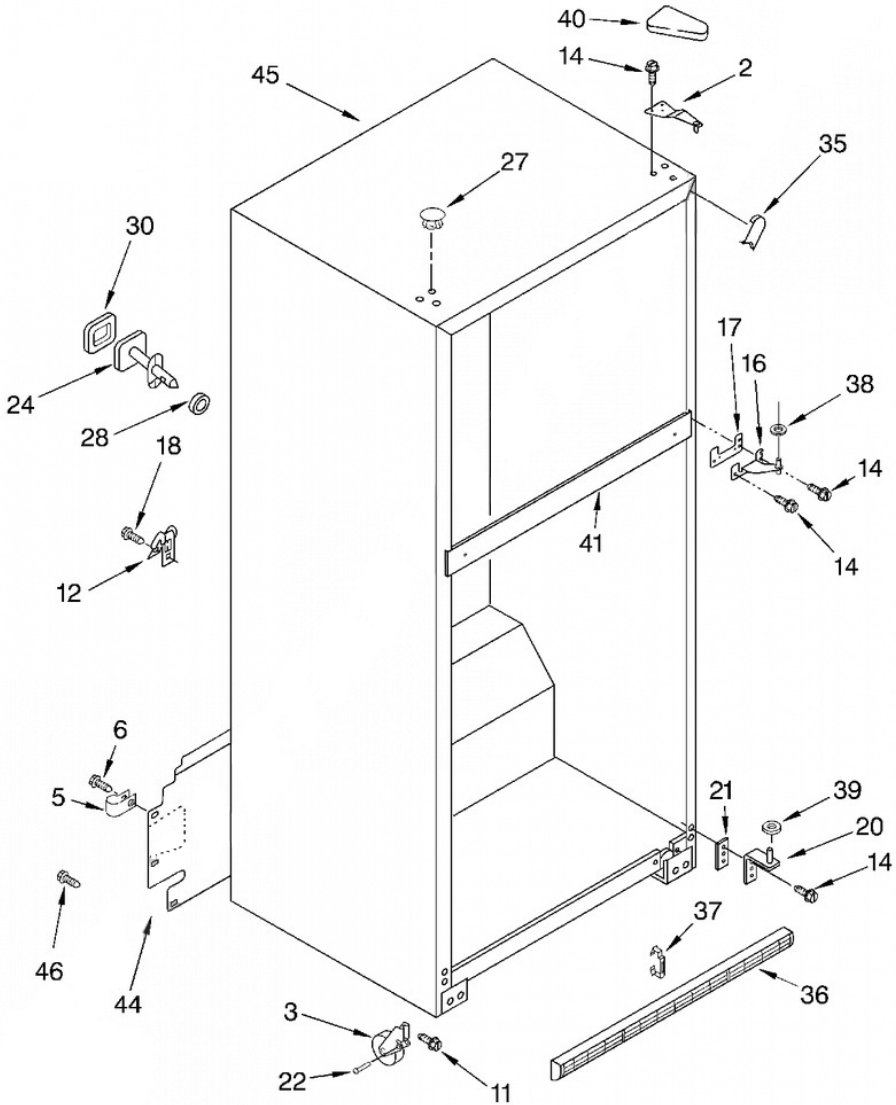


TT21AKXKT02 CABINET

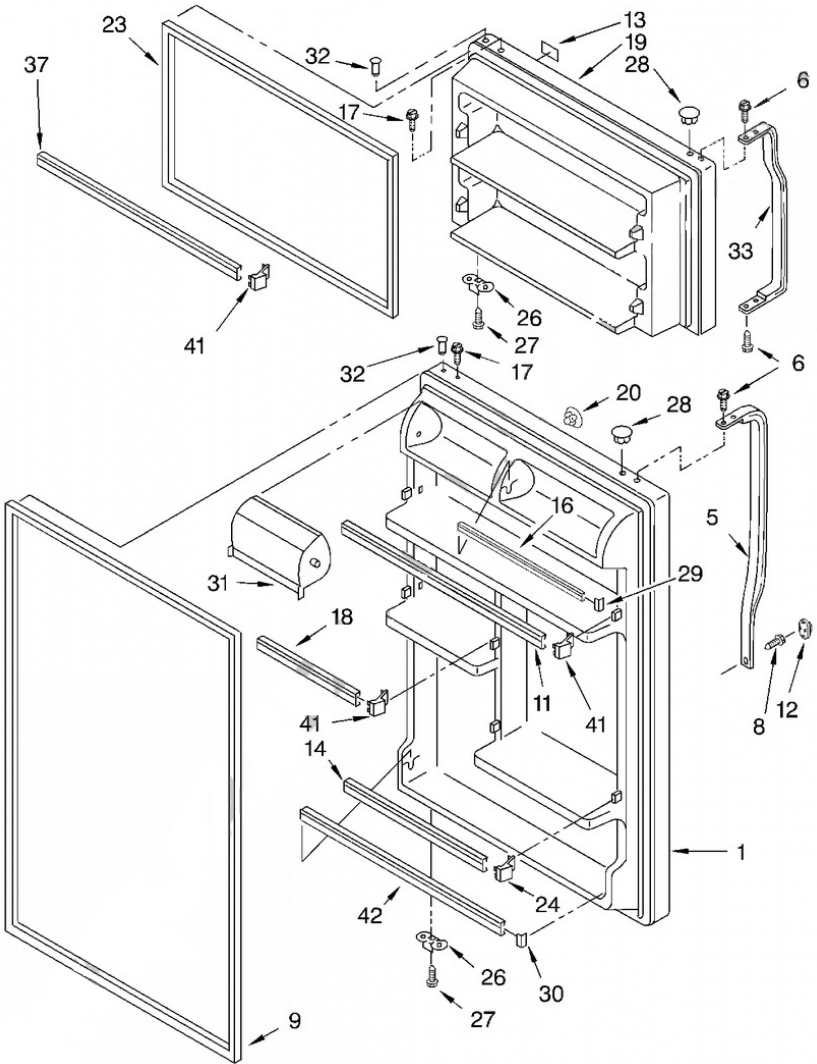




TT21AKXKT02 CABINET

2	2189410	HINGE (TOP) (S/P)
3	2166108	ROLLER, FRONT (2) (S/P)
5	488366	CLAMP, TUBE (WATER SUPPLY LINE) (S/P)
6	489464	SCREW (S/P)
11	3400504	SCREW (S/P)
12	3196256	CLAMP, CORD (S/P)
14	489497	SCREW (S/P)
16	2254618	HINGE, CENTER (S/P)
17	2183854	SHIM, HINGE CENTER (S/P)
18	8281265	SCREW (S/P)
20	2254473	HINGE BUTT (S/P)
21	2172743	SHIM, BOTTOM HINGE (S/P)
22	2179826	RIVET (S/P)
24	*****	FITTING, WATER TUBE (NOT SERVICED)
27	2200924	HOLE PLUG (6) (BISCUIT) (S/P)
27	2151652	HOLE PLUG (6) (WHITE) (S/P)
28	*****	SEAL, FRONT (NOT SERVICED)
30	*****	SEAL, REAR (NOT SERVICED)
35	2200926	CORNER FILLER (2) (BISCUIT) (S/P)
35	2201014	CORNER FILLER (2) (WHITE) (S/P)
36	2254313	GRILLE (WHITE) (S/P)
36	2254316	GRILLE (BISCUIT) (S/P)
37	2189356	CLIP, GRILLE (S/P)
38	489467	WASHER (S/P)
39	487576	WASHER (S/P)
40	2213364	COVER, HINGE (BISCUIT) (S/P)
40	2213360	COVER, HINGE (WHITE) (S/P)
41	*****	RAIL, CENTER (NOT SERVICED)
44	2254576	COVER, UNIT (S/P)
45	*****	CABINET (NOT A SERVICEABLE PART)
46	488208	SCREW (S/P)

TT21AKXKT02 DOOR





TT21AKXKT02 DOOR

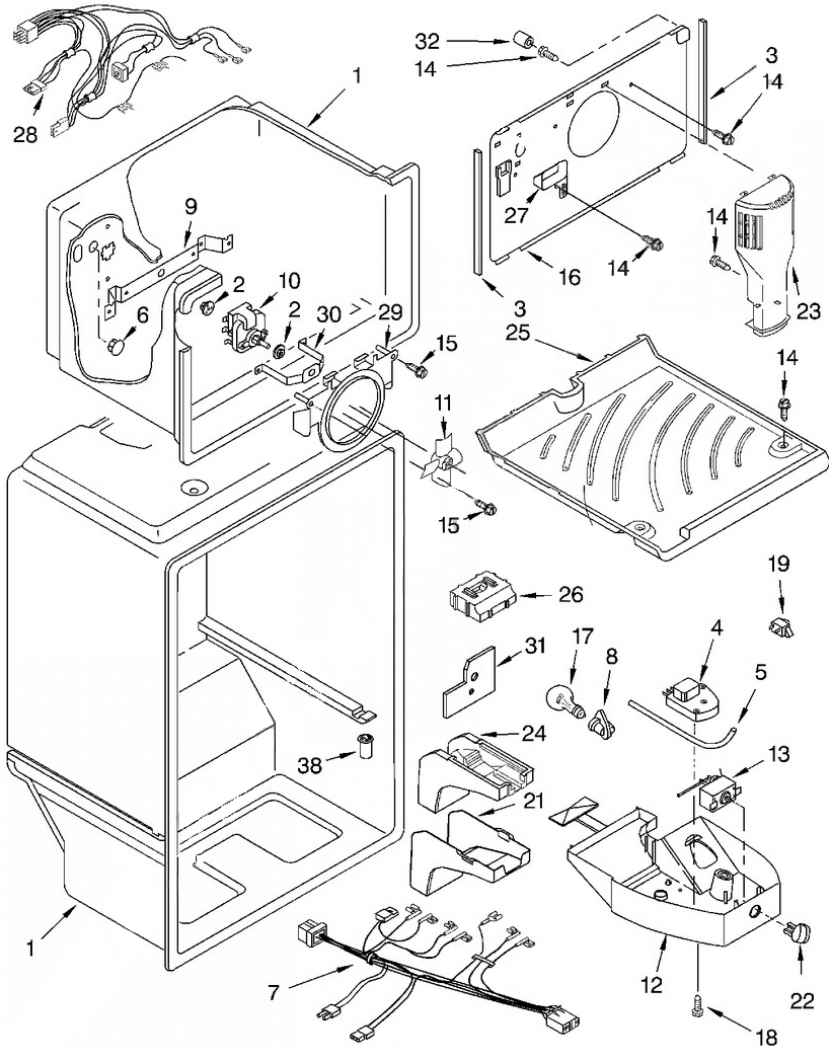
1	2183915	REFRIGERATOR DOOR (WHITE) (S/P)
1	2205282	REFRIGERATOR DOOR (BISCUIT) (S/P)
5	2202807W	HANDLE CENTER (WHITE) (S/P)
5	2202807T	HANDLE CENTER (BISCUIT) (S/P)
6	489357	SCREW (S/P)
9	2159061	DOOR GASKET, MAGNETIC (S/P)
11	2201061	TRIM, DOOR SHELF (S/P)
12	2202819W	COVER, SCREW (S/P)
13	2200749	NAMEPLATE (WHITE) (S/P)
13	2218190	NAMEPLATE (BISCUIT) (S/P)
14	2195943	TRIM, DOOR SHELF (S/P)
16	2195378	TRIM, DOOR SHELF (S/P)
17	8281206	SCREW (S/P)
18	2201062	TRIM, DOOR SHELF (S/P)
19	2204686	FREEZER DOOR (BISCUIT) (S/P)
19	2182489	FREEZER DOOR (WHITE) (S/P)
20	2189000	HOLE PLUG (WHITE) (S/P)
20	2200936	HOLE PLUG (BISCUIT) (S/P)
23	2159060	DOOR GASKET, MAGNETIC (S/P)
24	2195915	ENDCAP (2) (S/P)
26	2183805	BRACKET, DOOR STOP (2) (S/P)
27	488921	SCREW (S/P)
28	2212648	HOLE PLUG (WHITE) (S/P)
28	2212649	HOLE PLUG (BISCUIT) (S/P)
29	2156007	PLUG, TRIM (S/P)
30	2156006	PLUG, TRIM
31	2218118	COMPARTMENT DOOR (S/P)
32	2183003	THIMBLE (S/P)
33	2202806W	HANDLE, F.C. (WHITE) (S/P)
33	2202806T	HANDLE, F.C. (BISCUIT) (S/P)
37	2201060	TRIM, DOOR (2) (S/P)
41	2156003	ENDCAP (6) (S/P)
42	2195948	TRIM, DOOR (S/P)

Distribuidor Autorizado

SurteRápido.com

Venta de Refacciones
Electrodomesticas

TT21AKXKT02 LINER





TT21AKXKT02 LINER

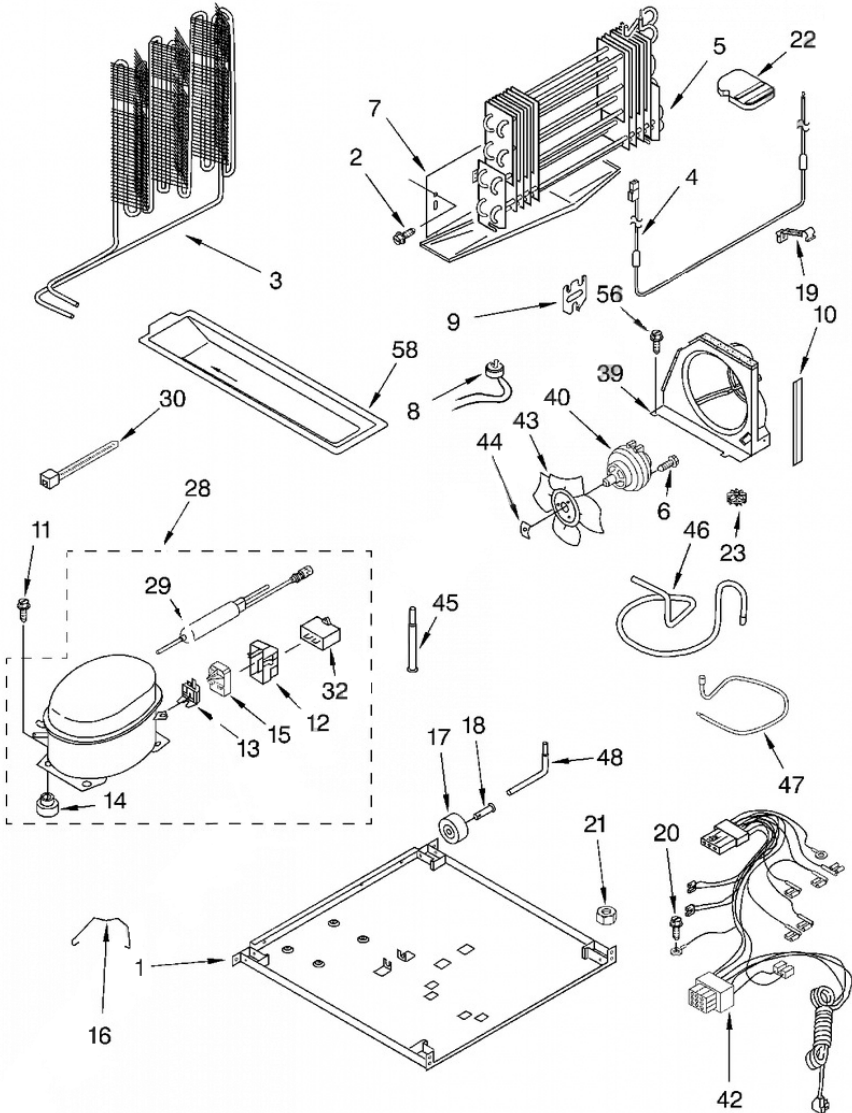
1	****	LINER (NOT A SERVICEABLE PART)
2	2264462	GROMMET (2) (S/P)
3	2221653	GASKET, EVAPORATOR COVER (2) (S/P)
4	482493	DEFROST TIMER
5	2196003	THERMOSTAT TUBE BARRIER (S/P)
6	941839	HOLE PLUG (S/P)
7	2221668	WIRE ASSEMBLY, CONTROL BOX (S/P)
8	4387478	SOCKET, LIGHT (2) TIMER
9	2214976	BRACKET EVAP. FAN, REAR (S/P)
10	2214986	FAN MOTOR (S/P)
11	2163777	FAN BLADE (S/P)
12	2319864	CONTROL BOX (S/P)
13	2204605	THERMOSTAT ASSY. (S/P)
14	489478	SCREW (S/P)
15	693995	SCREW DESCONTINUADO
16	4388739	COVER, EVAPORATOR (S/P)
17	2160708	LIGHT BULB (S/P)
18	98129	SCREW (S/P)
19	1118894	ROCKER ARM SWITCH (S/P)
21	2176281	COVER, AIR DIFFUSER (S/P)
22	2202885	KNOB, THERMOSTAT (S/P)
23	2182340	AIR TOWER (S/P)
24	2189452	AIR DIFFUSER, BOTTOM (S/P)
25	2184617	FREEZER FLOOR (S/P)
26	2204690	AIR DIFFUSER, TOP (S/P)
27	2205003	COVER, HOLE (S/P)
28	2187572	WIRE ASSEMBLY, FRZ. COMPARTMENT (S/P)
29	2218696	BRACKET, FAN MOTOR (S/P)
30	2214979	BRACKET EVAP. FAN, FRONT (S/P)
31	2204639	SHIELD, HEAT (S/P)
32	487996	CAP (S/P)
38	2210509	VALVE-TUBE, BODY (S/P)

Distribuidor Autorizado

SurteRápido.com

Venta de Refacciones
Electrodomesticas

TT21AKXKT02 UNIT



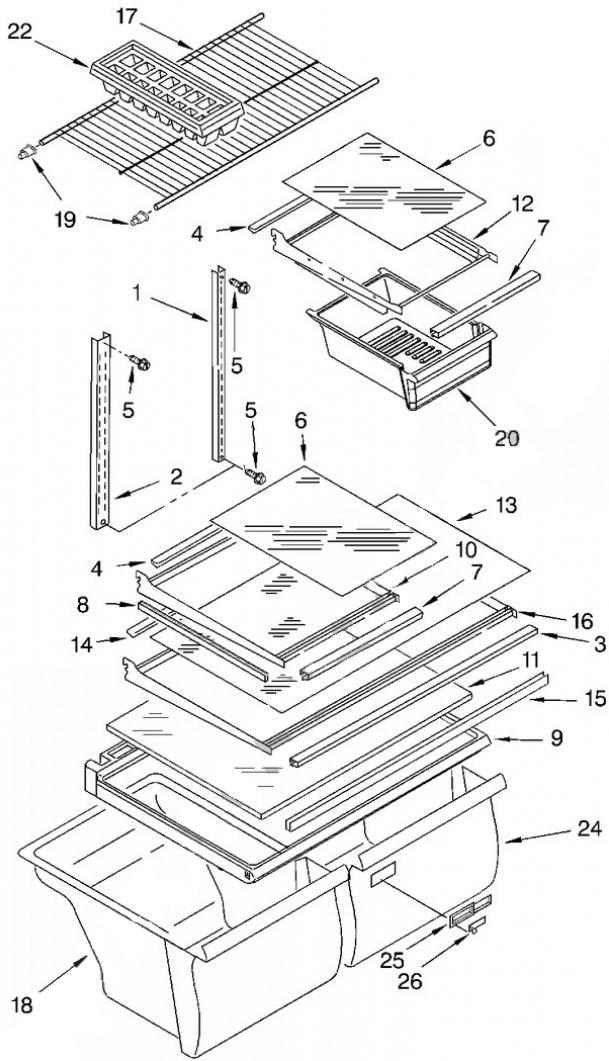


TT21AKXKT02 UNIT

1	2320187	PLATE, UNIT MOUNTING (S/P)
2	489478	SCREW (S/P)
3	2214960	CONDENSER (S/P)
4	2166124	HEATER, DEFROST
5	2195390	EVAPORATOR ASSY. (S/P)
6	489494	SCREW (S/P)
7	2172620	DRAIN PAN (S/P)
8	4387503	DEFROST BI-METAL
9	2176301	BRACKET, HEATER (S/P)
10	2300638	EXTENSION, AIR BAFFLE (S/P)
11	4388295	SCREW (S/P)
12	2162358	COVER (SERVICE ONLY) (S/P)
13	4387913	OVERLOAD (SERVICE ONLY) (S/P)
14	4387558	GROMMET (4) (SERVICE) (S/P)
14	4388295	GROMMET (4) (PRODUCTION) (S/P)
15	2225929	START-DEVICE COMBINATION (S/P)
16	2212996	STRAP (S/P)
17	4388239	ROLLER (2) (S/P)
18	2179826	RIVET (S/P)
19	2182338	CLIP, HEATER (S/P)
20	488500	SCREW (S/P)
21	*****	NUT (NOT SERVICED)
22	2201185	SUPPORT BLOCK (S/P)
23	531933	GROMMET (S/P)
28	876765	TUBE KIT) (S/P)
28	482801	INSTALLATION KIT & (S/P)
28	8201548	COMPRESSOR (S/P)
29	4387019	DRIER (SERVICE) (S/P)
29	4387019	DRIER (PRODUCTION) (S/P)
30	3347868	CLAMP (S/P)
32	2169373	CAPACITOR (PRODUCTION)
32	4387764	CAPACITOR (SERVICE) (S/P)
39	2198921	AIR BAFFLE (S/P)

40	4387244	MOTOR, CONDENSER (S/P)
42	2187384	WIRE ASSEMBLY UNIT (S/P)
43	2190685	FAN BLADE (S/P)
44	486692	NUT (S/P)
45	2212603	TUBE, TRANSITION (S/P)
46	2205384	TUBE, DISCHARGE (S/P)
47	2225237	TUBE, SUCTION (S/P)
48	2154109	TUBE, PROCESS (S/P)
56	3400518	SCREW (S/P)
58	2210451	EVAPORATOR TRAY (S/P)
58	978030	VALVE, ACCESS (3/4") (S/P)
58	978026	VALVE, ACCESS (5/16") (S/P)
58	876764	VALVE, ACCESS (3/16") (S/P)
58	978028	VALVE, ACCESS (1/2") (S/P)
58	978025	VALVE, ACCESS (1/4") (S/P)
58	978029	VALVE, ACCESS (5/8") (S/P)
58	978027	VALVE, ACCESS (3/8") (S/P)

TT21AKXKT02 SHELF





TT21AKXKT02 SHELF

1	2210522	SHELF, LADDER (2) (S/P)
2	2202821	SHELF, LADDER CENTER (S/P)
3	2188528	TRIM, SHELF FRONT (S/P)
4	2188521	TRIM, SHELF REAR (S/P)
5	489478	SCREW (S/P)
6	2204908	GLASS, SHELF (S/P)
7	2188526	TRIM, SHELF FRONT (S/P)
8	2188517	TRIM, SHELF SIDE (S/P)
9	2314549	CRISPER COVER (S/P)
10	2201102E	SHELF, CANTILEVER (S/P)
11	2176225	GLASS, CRISPER COVER (S/P)
12	2201106	PAN, SHELF CANTILEVER (S/P)
13	2199192	GLASS, FULL SHELF (S/P)
14	2188523	TRIM, SHELF REAR (S/P)
15	2172748	CRISPER SUPPORT (S/P)
16	2201104E	SHELF, FULL CANTILEVER (S/P)
17	2189454	SHELF, FREEZER (S/P)
18	2218124	CRISPER PAN (S/P)
19	2163762	CUP, SHELF MTG. (S/P)
20	2218132K	PAN, MEAT (S/P)
22	841180	ICE TRAY (2) (S/P)
24	2218141	CRISPER PAN (S/P)
25	2212446	HUMIDITY, CONTROL, BODY (S/P)
26	350930	ENAMEL, WHITE (12 OZ. SPRAY CAN) (S/P)
26	350942	PRIMER, WHITE (12 OZ. SPRAY CAN) (S/P)
26	1117510	TORX KEY (S/P)
26	212643	SEALER, GUM (4 FEET) (S/P)
26	2155469 ^a	IMKIT94 (S/P)
26	2176222	HUMIDITY, CONTROL, SLIDE (S/P)
26	830864	ENAMEL, BLACK (12 OZ. SPRAY CAN) (S/P)
26	799832	KIT, PORCELAIN REPAIR (WHITE) DESCONTINUADO
26	72032	BRUSH TOUCH-UP KIT (BLACK) (S/P)
26	876370	KIT, INSULATION (14 PCS. 3` X 24` X 48`) (S/P)

26	833938	KIT, TERMINAL CONNECTOR (S/P)
26	876370	INSULATION, FIBERGLASS (S/P)
26	505587	SEALER, MASTIC (1 QT.) (S/P)
26	876029	KIT, FOAM SLAB (30`` X 32-1/2`` X 1-1/2``) (S/P)
26	479502	TAPE, VINYL (3/4`` X 108``) (S/P)
26	72107	BRUSH TOUCH-UP KIT (ALMOND) (S/P)
26	4392899	BRUSH TOUCH-UP KIT (BISCUIT) (S/P)
26	511873	TOUCH-UP, WHITE PORCELAIN (2 OZ.) (S/P)
26	978883	ENAMEL, ALMOND (1 QT. UNCUT) (S/P)
26	4392901	ENAMEL, BISCUIT (12 OZ. SPRAY CAN) (S/P)
26	799344	ENAMEL, WHITE (1 QT. UNCUT) (S/P)
26	4317852	CEMENT, ALUMILASTIC (1-1/4 OZ.) (S/P)
26	542638	GREASE, SILICONE (1/2 OZ.) (S/P)
26	606755	BAG, INSULATION (36-5/8`` X 46``) (S/P)
26	786032	ENAMEL, BLACK (1 QT. UNCUT) DESCONTINUADO
26	876370	KIT, INSULATION (2 PCS. 3`` X 24`` X 48``) (S/P)
26	799833	KIT, EVAPORATOR REPAIR DESCONTINUADO
26	503695	CORK SEALER (1/4 POUND) (S/P)
26	72017	BRUSH TOUCH-UP KIT (WHITE) (S/P)
26	4392900	ENAMEL, BISCUIT (1 QT. UNCUT) (S/P)
26	350956	ENAMEL, ALMOND (12 OZ. SPRAY CAN) (S/P)