

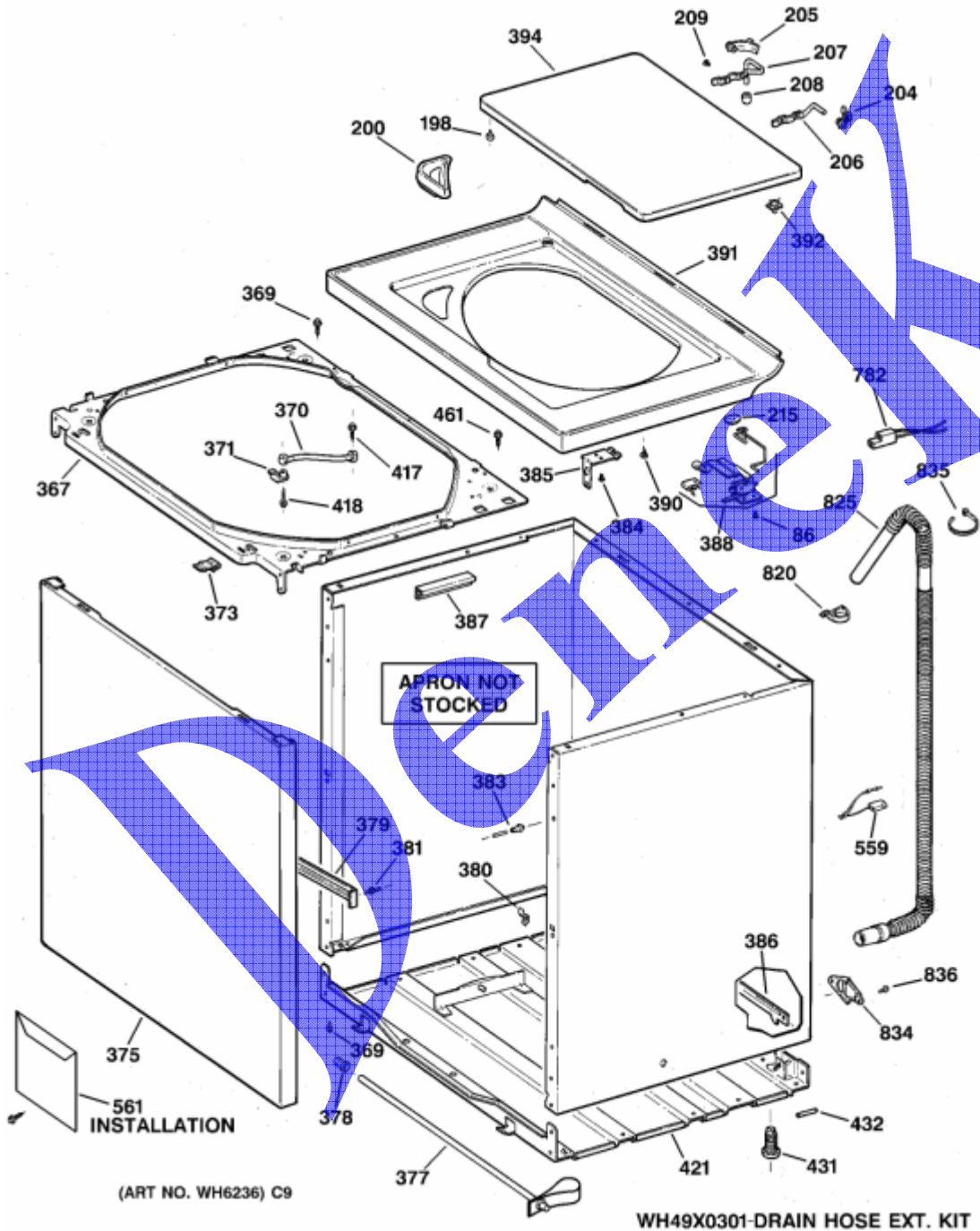
LAVADORA G.E. MODELO VBSR3100B0WW

CONTROLES

NUMERO	N.DE PARTE	DESCRIPCION
1	31-15441	INSTRUCTION INSTALL
1	39-90016	MANUAL USE & CARE
1	31-15468	PM SHEET MINI MANUAL
2	WH46X10073	SUPPORT SWITCH
3	WH42X2397	END CAP LH WH
4	WH42X2398	END CAP RH WH
6	WH02X10093	RING COMPRESSION
7	WH11X10023	DIAL ASM
8	WH1X2754	KNOB ASM CONTROL
9	WH1X2117	CLIP SPRING
10	WH12X10065	SWITCH PRESSURE
11	WH02X10089	SCR 8-18 AB FLT 9/16 SN
13	WH42X10321	SWITCH TRIM ASM
19	WH01X10141	KNOB & CLIP ASM
41	WE1X980	U CLIP
71	WH2X1205	SCR 8-18 B 1/2 HXW P
72	WH46X10035	PANEL BACK
73	WH46X10047	COVER BOTTOM
91	WH12X999	SWITCH ROTARY TEMP.
100	WH12X10171	TIMER WASHER
151	WH2X1210	SCR 8-18 B INW 1/2 S N
546	WH12X870	HOUSING TERMINAL BK
556	WH12X497	HOUSING TERMINAL
557	WH19X311	CORDSET ASM
627	WH12X10025	STRAIN RELIEF
769	WB1X500	SCR 8-18 B HXW 1/4 S
790	WH1X2036	CLAMP HOSE
803	WH41X10037	HOSE & WATER INLET
805	WH13X86	VALVE ASM WATER
807	WH2X42	HOSE WASHER
808	WH41X58	HOSE ASM INTAKE
811	WH41X365	HOSE PRESSURE
935	WD1X1434	TERMINAL SPECIAL

LAVADORA G.E. MODELO VBSR3100B0WW

GABINETE



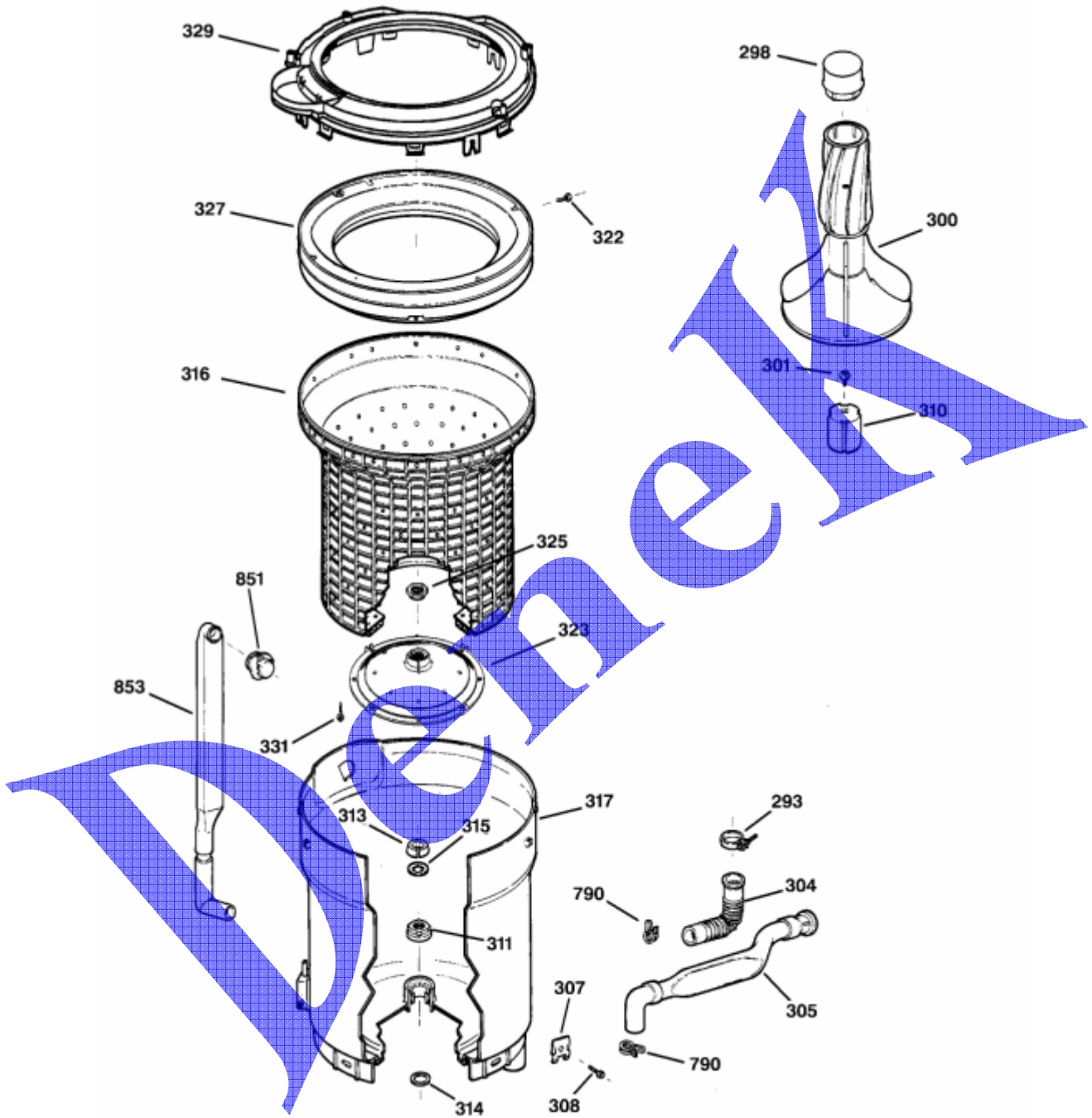
LAVADORA G.E. MODELO VBSR3100B0WW

GABINETE

NUMERO	N.DE PARTE	DESCRIPCION
86	WH2X940	SCR 8-32 TT FL 1/2 S
198	WH1X2722	BUMPER LID
200	WH01X10057	FUNNEL BLEACH
204	WH1X2741	BUSHING HINGE (SINGLE)
205	WH01X10025	BUSHING HINGE (DOUBLE)
206	WH1X2740	WIREFORM HINGE
207	WH1X2743	HINGE WIREFORM (LONG)
208	WH1X2742	BUMPER HINGE
209	WH2X1211	SCREW
215	WH1X2089	KNOB ACTUATOR
367	WH46X364	WELD ASM ROD SUPPORT
369	WH2X1217	SCR 8-18 AB IHW 7/16 SN
370	WH01X10046	STRAP DAMPING
371	WH1X2726	RETAINER STRAP
373	WH02X10058	CLIP LOCKING
375	WH46X10051	PANEL FRONT WH
377	WH46X344	BAR SHIPPING
378	WH1X2745	BUTTON PLUG
379	WH16X514	BRACE
380	WH2X1207	CLIP GROUND
381	WH2X1190	STUD GROUNDING
383	WH2X1189	PIN ALIGNMENT
384	WH01X10109	SCR 8-15 A 3/4 SP HXW
385	WH1X2723	COVER CLIP
386	WH46X342	BAR SELF LEVELING
387	WH41X10036	CONDUIT
388	WH12X1043	LID SWITCH ASM
390	WH1X2724	ISOLATOR
391	WH44X1169	COVER ASM FINISHED WH
392	WH1X2734	PROBE LID SWITCH
394	WH44X10089	LID ASM FINISHED
417	WH2X694	SCR 10-12 A HX 1/2 S
418	WH02X10003	SCR 8-18 B IHW 1 S
421	WH46X10024	BASE ASM
431	WH2X1187	LEG LEVELING
432	WH2X1188	PIN ROLL
461	W75X158	SCREW 8-32X3/8 GRD SCR
559	WH12X538	HOUSING TERMINAL
561	WH49X10017	PK PACK ASM INSTALLATION
782	WB17X5060	TERMINAL BLK ASM (2 PIN)
820	WH1X2725	CLIP ANTI-SIPHON
825	WH41X367	HOSE DRAIN EXTERNAL
834	WH16X513	RETAINER HOSE
835	WH1X2594	STRAP
836	WH02X10002	SCR 8-18 AB IHWP 7/8 S

LAVADORA G.E. MODELO VBSR3100B0WW

TINA, CANASTA Y AGITADOR



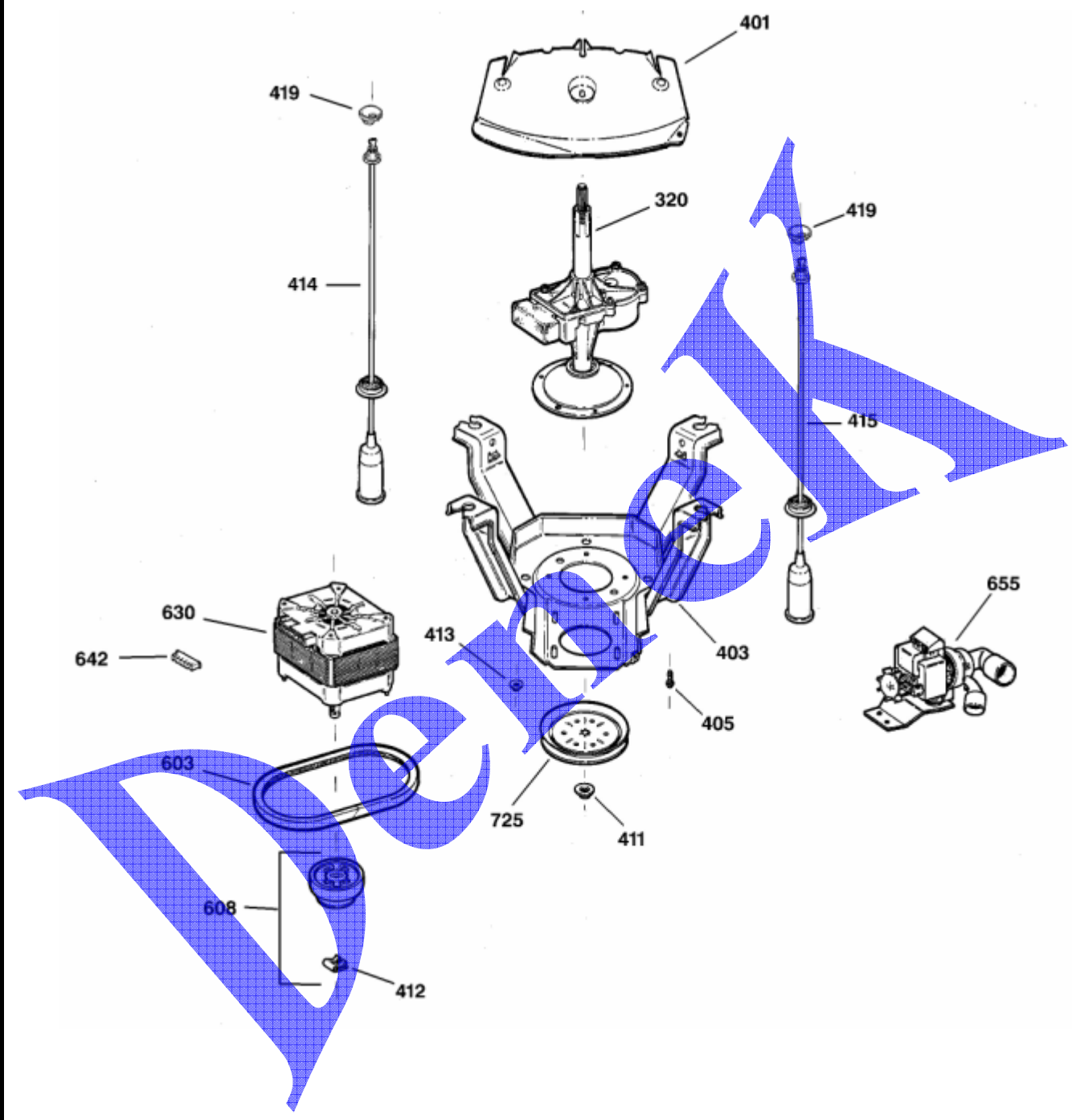
LAVADORA G.E. MODELO VBSR3100B0WW

TINA, CANASTA Y AGITADOR

NUMERO	N.DE PARTE	DESCRIPCION
293	WH01X10134	CLAMP TUB OUTLET
298	WH43X139	DISPENSER ASM FS
300	WH43X142	AGITATOR ASM MULTI
301	WH02X10037	SCR 1/4-20 MCH 5/8 S
304	WH41X371	HOSE DRAIN INLET (TUB TO
305	WH41X374	HOSE DRAIN ASM
307	WH1X2730	CLAMP - TUB
308	WH2X1209	SCR 5/16-18 TPT IHW S N
310	WH43X10009	COUPLING AIR BELL
311	WH2X1196	SEAL TUB
313	WH2X1195	RING SPLIT
314	WH2X1197	WASHER TUB BEARING
315	WH2X1199	WASHER HUB
316	WH45X10014	BASKET EXTRA LARGE
317	WH45X10024	TUB ASM X-LARGE
322	WH2X1194	SCREW
323	WH45X10027	HUB
325	WH2X1193	NUT HUB
327	WH45X152	BALANCE RING ASM
329	WH45X10022	COVER TUB
331	WH02X10001	SCR 14-10 A TRT 7/8 S
790	WH1X2036	CLAMP HOSE
851	WH1X2729	GASKET FLOOD HEAD
853	WH41X369	HOSE FLOOD

LAVADORA G.E. MODELO VBSR3100B0WW

TRANSMISION



LAVADORA G.E. MODELO VBSR3100B0WW

TRANSMISION

NUMERO	N.DE PARTE	DESCRIPCION
320	WH38X10002	TRANSMISSION & BRAKE ASM
401	WH45X10025	SHIELD TUB
403	WH17X10003	LEG & PLATFORM WELD ASM
405	WH2X1201	SCR 1/4-20 B HXW 3/4 SNS
411	WH2X1203	NUT PULLEY
412	WH1X2733	CLIP CLUTCH SPRING
413	WH2X1204	NUT MOTOR HEX
414	WH16X544	ROD & SPRING ASM
415	WH16X543	ROD & SPRING ASM
419	WH01X10001	SOCKET ROD SUPPORT
603	WH1X2026	BELT
608	WH5X253	CLUTCH ASM
630	WH20X10009	MOTOR ASM 2 SPD KH-K
642	WH12X1059	HOUSING SPECIAL
655	WH23X10003	PUMP
725	WH7X126	PULLEY TRANSMISSION