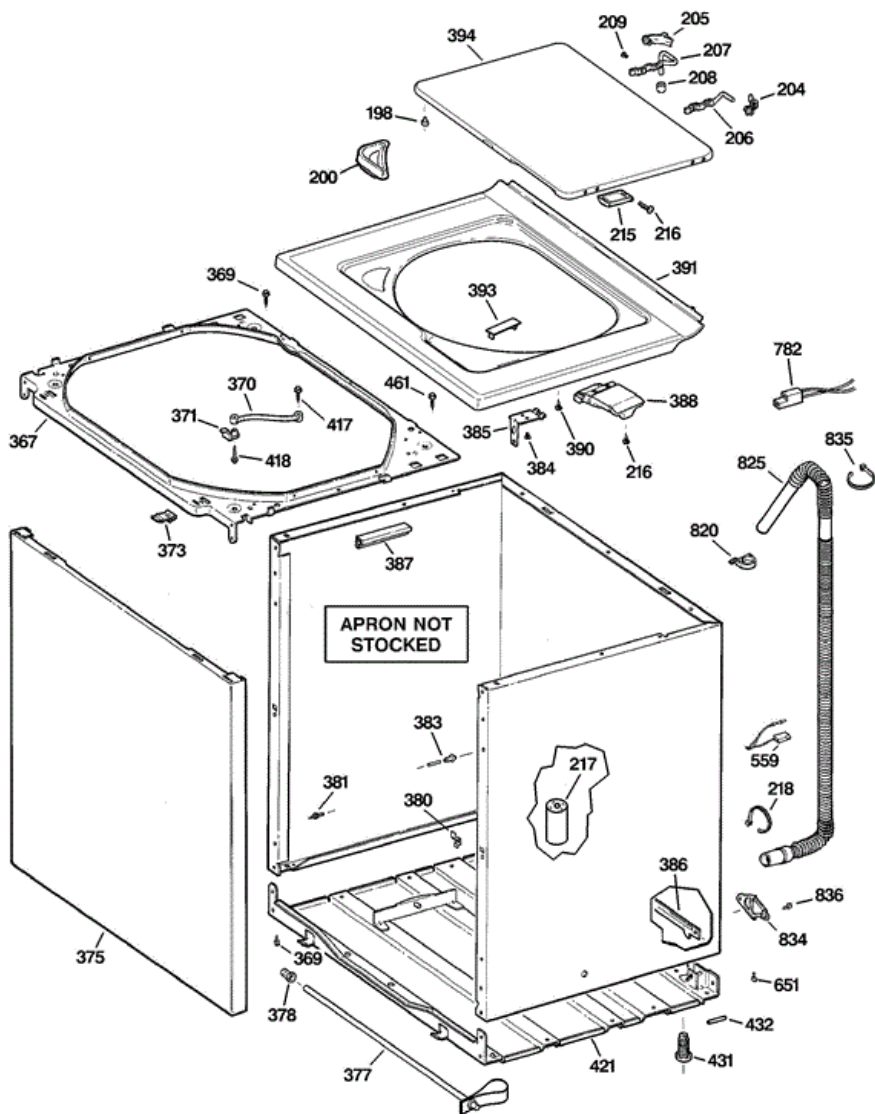


Distribuidor Autorizado

SurteRápido.com

Venta de Refacciones
Electrodomesticas

VBXR1090D8CC GABINETE



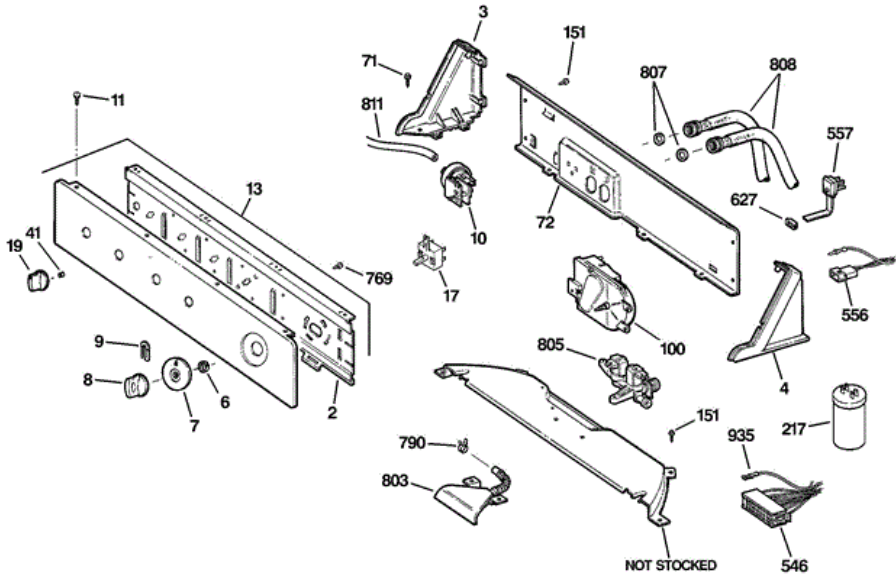


VBXR1090D8CC GABINETE

198	WH01X2722	BUMPER LID
200	WH01X10057	FUNNEL BLEACH
204	WH01X10138	BUSHING HINGE
205	WH01X10137	BUSHING WIRE
206	WH01X2740	WIREFORM HINGE
207	WH01X2743	WIREFORM HINGE
208	WH01X2742	BUMPER HINGE
209	WH02X1211	SCREW
215	WH01X10222	MAGNET HOUSING ASM
216	WH02X10063	SCR 8-16 B FLP .625 ZN
217	WH12X10212	CAPACITOR CMRW TS 45/2
218	WH01X10217	WIRE TIE
367	WH46X0364	WELD ASM ROD SUPPORT
369	WH02X1217	SCR 8-18 AB IHW 7/16 SN
370	WH01X10046	STRAP DAMPING
371	WH01X2726	RETAINER STRAP
373	WH02X10058	CLIP LOCKING
375	WH46X10111	PANEL & BRACE ASM BQ
377	WH46X0344	BAR SHIPPING
378	WH01X2745	BUTTON PLUG
380	WH02X1207	CLIP GROUND
381	WH02X1190	STUD GROUNDING
383	WH02X1189	PIN ALIGNMENT
384	WH01X10109	SCR 8-15 A 3/4 SP HXW
384	WH01X10170	SCR 6-20 B TRT 3/8 S
385	WH01X2723	COVER CLIP
386	WH46X10094	BAR SELF LEVELING
387	WH41X10036	CONDUIT
388	WH12X10275	LID SWITCH ASM
390	WH01X2724	ISOLATOR
391	WH44X10147	COVER ASM FINISHED
393	WH44X10144	PROTECTOR LID SWITCH
394	WH44X10153	LID ASM FINISHED

417	WH02X0694	SCR 10-12 A HX 1/2 S
418	WH02X10003	SCR 8-18 B IHW 1 S
421	WH46X10079	BASE ASM
431	WH02X1187	LEG LEVELING
432	WH02X1188	PIN ROLL
461	WZ05X0158	SCREW 8-32X3/8 GRD SCR
559	WH12X0538	HOUSING TERMINAL
651	WH02X10123	SCR 1/4-20 TPT 1H 1/2 SN
782	WB17X5060	TERMINAL BLK ASM (2 PIN)
820	WH01X2725	CLIP ANTI-SIPHON
825	WH41X10096	HOSE DRAIN EXTERNAL
834	WH16X0513	RETAINER HOSE
835	WH01X10218	STRAP
836	WH02X10162	SCR 8-18 AB IHWP 7/8 S

VBXR1090D8CC TABLERO

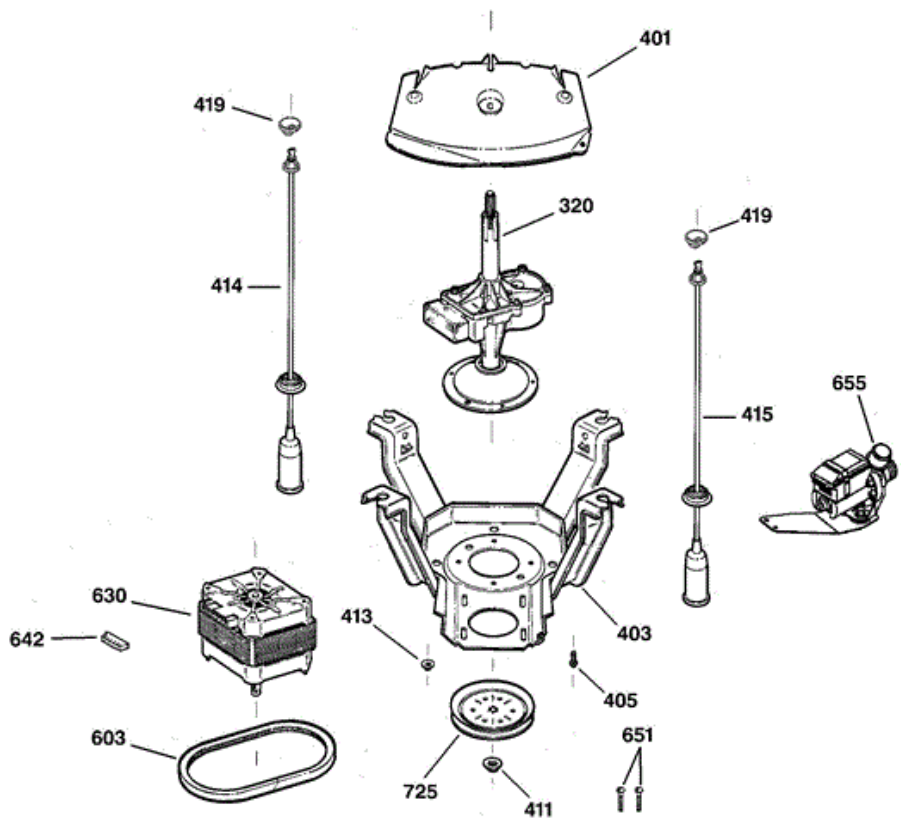




VBXR1090D8CC TABLERO

2	WH46X10081	SUPPORT SWITCH
3	WH42X10311	END CAP LH
4	WH42X10312	END CAP RH
6	WH02X10093	RING COMPRESSION
7	WH11X10040	DIAL ASM
8	WH01X10143	KNOB ASM CONTROL
9	WH01X2117	CLIP SPRING
10	WH12X10279	SWITCH PRESSURE
11	WH02X10089	SCR 8-18 AB FLT 9/16 SN
13	WH42X10350	CONTROL PANEL ASM
17	WH12X0999	SWITCH ROTARY TEMP.
19	WH01X10142	KNOB & CLIP ASM
41	WE01X0980	U CLIP
71	WH02X1205	SCR 8-18 B 1/2 HXW P
72	WH46X10118	BACK PANEL
100	WH12X10196	TIMER ASM WASHER
151	WH02X10126	SCR 8-18 B 1HW 1/2 SN
217	WH12X10212	CAPACITOR CMRW TS 45/2
546	WH12X10205	HOUSING TERMINAL BLK
556	WH12X0497	HOUSING TERMINAL
557	WH19X0311	CORDSET ASM
627	WH12X10208	SELF LOCKING STRAIN RELF
769	WB01X0500	SCR 8-18 B HXW 1/4 S
790	WH01X2036	CLAMP HOSE
803	WH41X10077	HOSE & WATER INLET
805	WH13X0086	VALVE TRIPLE WATER
807	WH02X10161	WASHER FLAT
808	WH41X10094	HOSE INLET ASM
808	WH41X10095	HOSE INLET ASM
811	WH41X0365	HOSE PRESSURE SWITCH
935	WD01X1434	TERMINAL SPECIAL

VBXR1090D8CC TRANSMISION

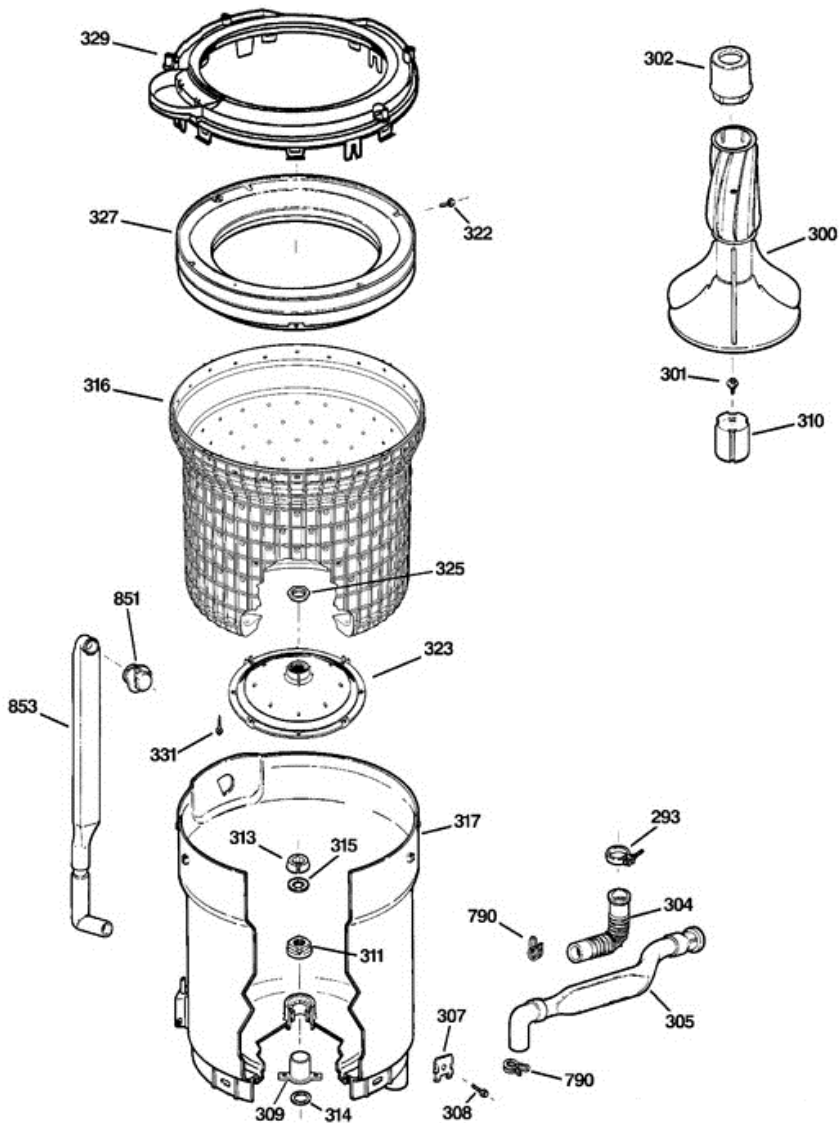




VBXR1090D8CC TRANSMISION

320	WH38X10002	TRANSMISSION & BRAKE ASM
401	WH45X10046	SHIELD TUB
403	WH17X10003	LEG & PLATFORM WELD ASM
405	WH02X1201	SCR 1/4-20 B HXW 3/4 SNS
411	WH02X1203	NUT PULLEY
413	WH02X1204	NUT MOTOR HEX
414	WH16X0544	ROD & SPRING ASM
415	WH16X0543	ROD & SPRING ASM
419	WH01X10001	SOCKET ROD SUPPORT
603	WH01X2026	BELT
630	WH20X10025	MOTOR - 1 SPD CLUTCHLESS
642	WH12X1059	HOUSING SPECIAL
651	WH02X10123	SCR 1/4-20 TPT 1H 1/2 SN
655	WH23X10013	PUMP
725	WH07X0126	PULLEY TRANSMISSION

VBXR1090D8CC TINAS





VBXR1090D8CC TINAS

293	WH01X10134	CLAMP HOSE
300	WH43X0141	AGITATOR ASM STRAIGHT
301	WH02X10037	SCR 1/4-20 MCH 5/8 S
302	WH43X10005	CAP AGITATOR SHORT
304	WH41X0371	HOSE DRAIN INLET(TUB TO)
305	WH41X10093	HOSE DRAIN ASM
307	WH01X2730	CLAMP - TUB
308	WH02X1209	SCR 5/16-18 TPT IHW S N
309	WH02X1198	BEARING TUB
310	WH43X10009	COUPLING AIR BELL
311	WH02X10032	SEAL TUB
313	WH02X1195	RING SPLIT
314	WH02X1197	WASHER TUB BEARING
315	WH02X1199	FLAT WASHER
316	WH45X10053	BASKET LARGE
317	WH45X10023	TUB ASM LARGE 2.7 CU FT
322	WH02X1194	SCREW
323	WH45X10027	HUB
325	WH02X1193	NUT HUB
327	WH45X0152	BALANCE RING ASM
329	WH45X10022	COVER TUB
331	WH02X10001	SCR 14-10 A TRT 7/8 S
790	WH01X2036	CLAMP HOSE
851	WH01X2729	GASKET FLOOD HEAD
853	WH41X0369	HOSE FLOOD