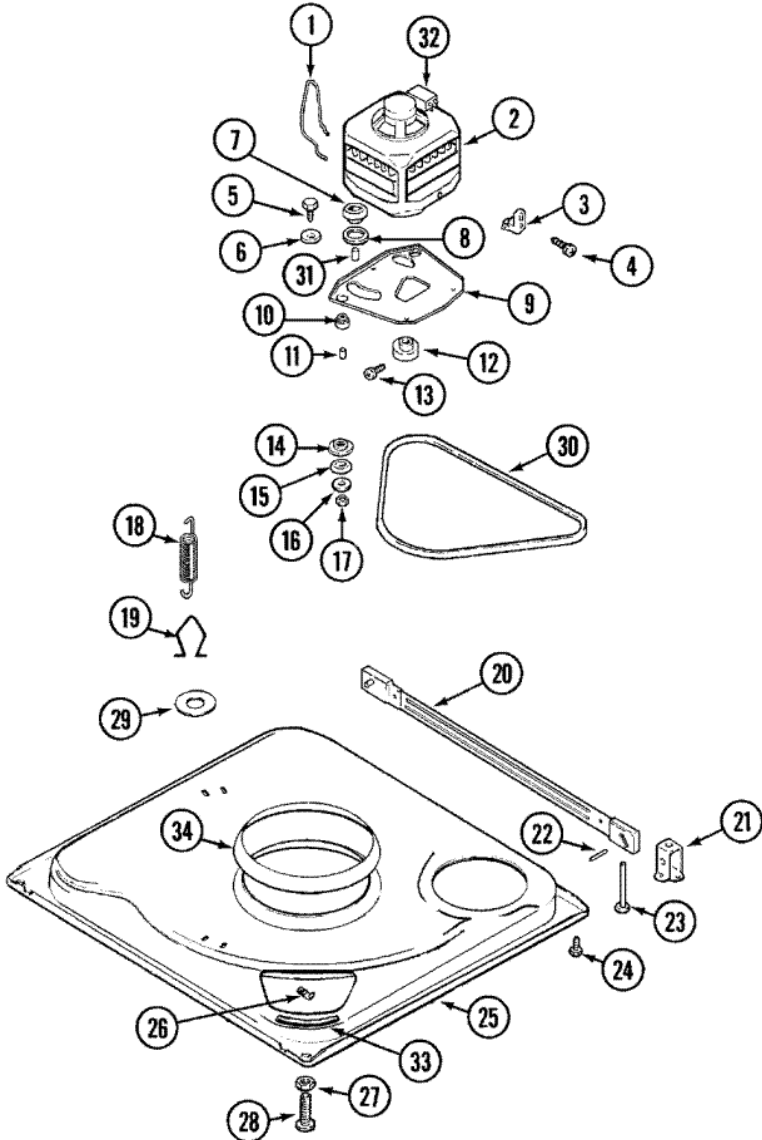


Distribuidor Autorizado

SurteRápido.com

Venta de Refacciones  
Electrodomesticas

## W228LV BASE

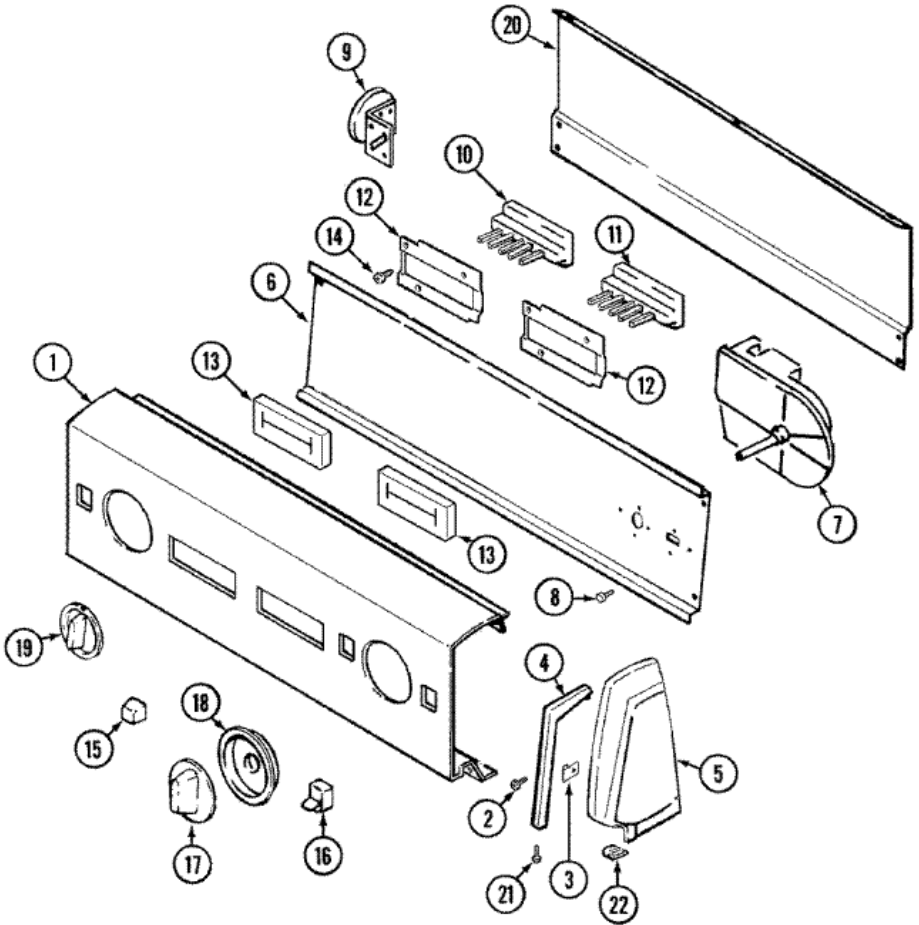




**W228LV BASE**

1	22004376	SPRING, MOTOR PIVOT
2	21001170	MOTOR & PULLEY/PLATE ASSY.
2	21001400	MOTOR/PLATE ASSEMBLY (COMPLETE
3	21001486	SLIDE, FOOT (S/P)
6	25-7834	WASHER (S/P)
7	33-9946	ISOLATOR, MOTOR
8	35-3570	WASHER, MOTOR PIVOT (S/P)
9	21001783	PLATE, MOTOR (S/P)
10	35-3646	ISOLATOR, MOTOR PLATE (S/P)
11	25-7831	SPACER (S/P)
12	21001108	PULLEY, MOTOR (PLASTIC)
13	25-7117	SET SCREW (S/P)
14	35-3571	SLIDE, MOTOR PIVOT (S/P)
15	33-9967	WASHER, MOTOR ISOLATOR (S/P)
16	25-7047	WASHER, FLAT (S/P)
17	21002009	NUT, MOTOR PLATE ASY TO MOTOR (S/P)
18	21001165	SPRING, SUSPENSION
18	22002922	TOOL, 6 POINT SPRING
19	21001166	HOOK, SUSPENSION SPRING
20	21001881	BAR, STABILIZER (WITH GUIDE)
21	35-2046	BRACKET, STABILIZER
22	35-2052	PIN, STABILIZER
23	22004469	FOOT PAD ASSY. (REAR)
25	12002701	BASE (S/P)
26	25-7845	SPEEDNUT (S/P)
27	25-7915	HEX NUT <b>DESCONTINUADO</b>
28	25001119	PAD, FRONT FOOT (S/P)
29	Y25-7951	WASHER, SUSPENSION HOOK (S/P)
30	21352320	BELT, DRIVE
31	25-7830	SPACER
32	33-9765	SWITCH, MOTOR (S/P)
33	35-2065	PAD, MOTOR PLATE (S/P)
34	21002026	SNUBBER

**W228LV TABLERO**





## W228LV TABLERO

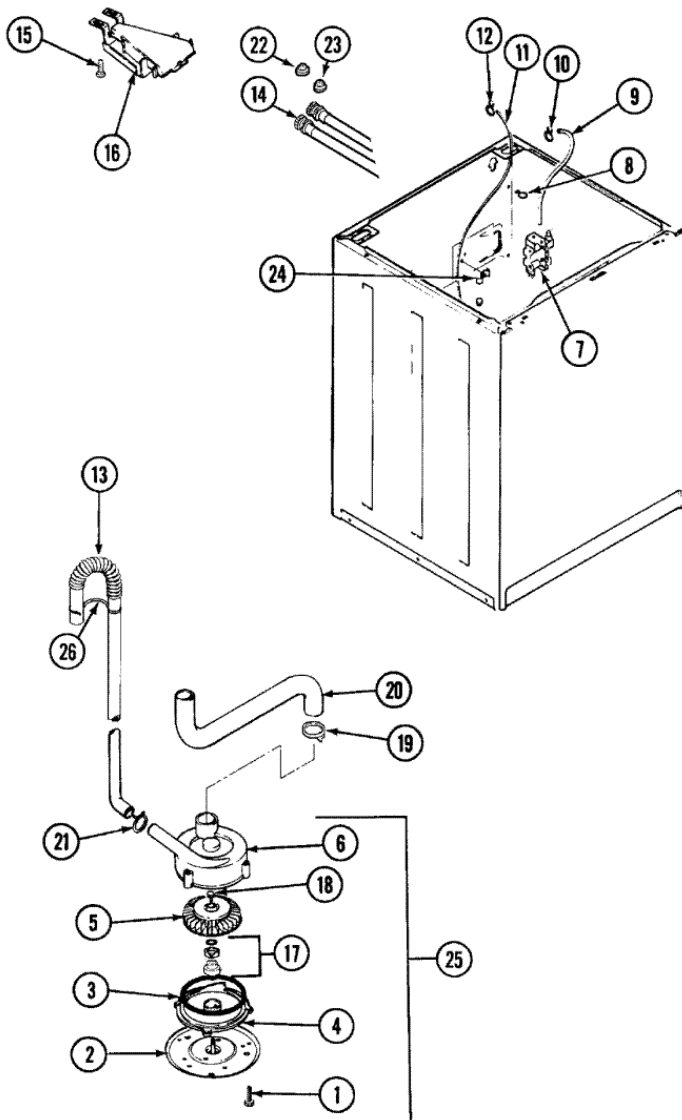
1	21001156	PANEL, CONTROL (WHT) (S/P)
1	25-3457	SCREW, SEMS (S/P)
2	25-7760	SCREW (S/P)
3	25-7702	SPEEDCLIP, END CAP TO CTRL PNL (S/P)
4	31001055	TRIM, ENDCAP (LT WHT) (S/P)
4	31001054	TRIM, ENDCAP (RT WHT) (S/P)
5	21001454	CAP, END (LT)(WHT) (S/P)
5	21001453	CAP, END (RT)(WHT) (S/P)
6	31001193	PAD, CONTROL PANEL SUPPORT (S/P)
6	25-3092	SCREW (S/P)
6	35-3190	SHIELD, CONTROL (S/P)
7	21001325	TIMER
7	35-3843	TIMER
8	31001029	SCREW, TIMER (S/P)
9	21001554	SWITCH, WATER LEVEL
9	25-3092	SCREW (S/P)
10	35-3862	SWITCH, 4 PUSHBUTTON (S/P)
11	35-3861	SWITCH, 5 PUSHBUTTON (S/P)
12	33-6621	BRACKET, SWITCH (S/P)
13	35-3515	PAD, SWITCH (S/P)
14	25-7712	SCREW <b>DESCONTINUADO</b>
14	25-3092	SCREW (S/P)
15	35-3191	PUSHBUTTON (WHT) (S/P)
16	21001813	SWITCH, ROCKER (WHITE) (S/P)
17	21001237	KNOB, TIMER (S/P)
18	21001502	SKIRT & RING ASSY (WHT) (S/P)
19	35-3961	KNOB, SELECTOR (S/P)
20	21001460	SHIELD, CONTROL PANEL (REAR) <b>DESCONTINUADO</b>
21	25-7760	SCREW (S/P)
22	25-7851	SPEEDCLIP, END CAP TO TOP (S/P)
23	21001053	MANUAL, USE & CARE (S/P)
23	21001172	MANUAL, USE & CARE (S/P)
24	16000329	GUIDE, QUICK REF. - MAGIC CHEF <b>DESCONTINUADO</b>

Distribuidor Autorizado

**SurteRápido.com**

Venta de Refacciones  
Electrodomesticas

## W228LV BOMBA





W228LV BOMBA

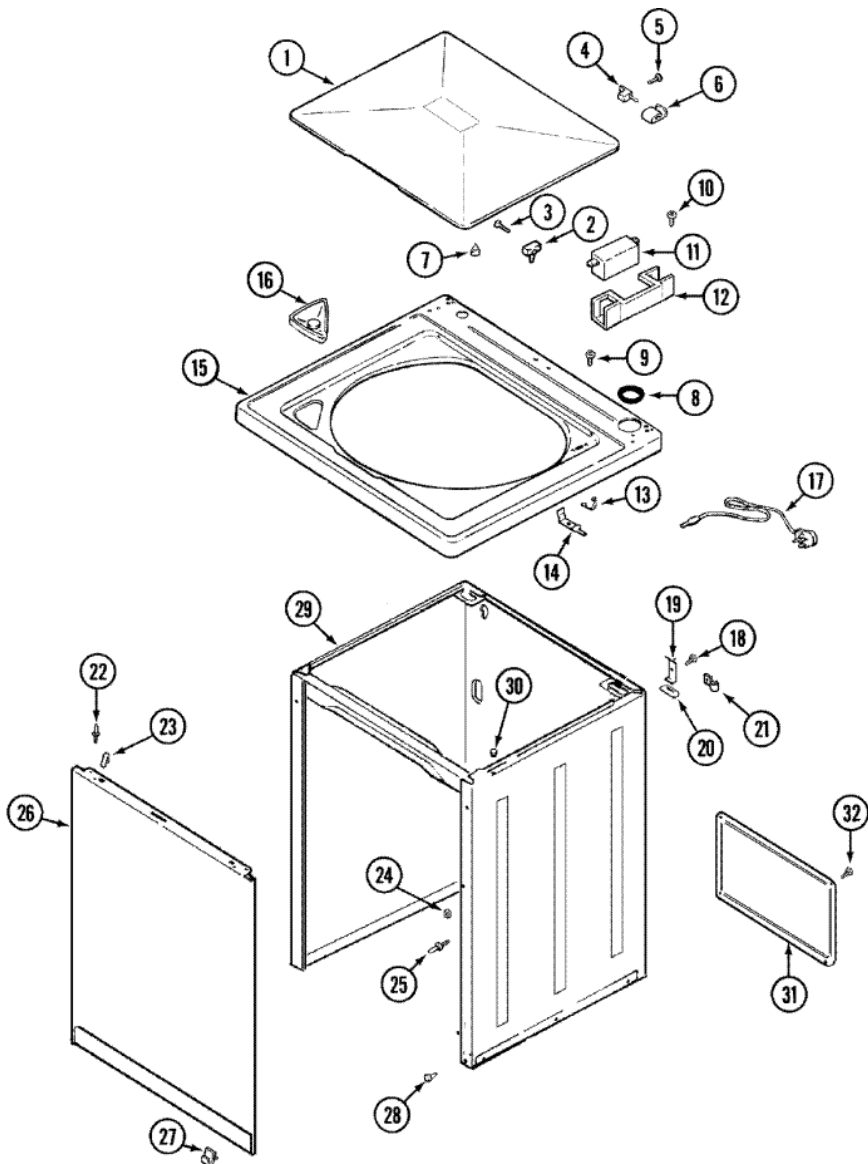
1	25-7419	SCREW (S/P)
2	33-6035	PLATE & PULLEY ASSY. <b>DESCONTINUADO</b>
3	33-6032	GASKET (S/P)
4	35-2058	BASE, PUMP (S/P)
5	21001906	IMPELLER
6	21001906	HOUSING, PUMP
7	35-2374N	VALVE, WATER (S/P)
7	25-7430	CLIP, WIRING HARNESS <b>DESCONTINUADO</b>
8	25-7867	CLAMP (S/P)
9	12002749	HOSE, FLUME/DIVERTER (RUBBER) (S/P)
10	25-7867	CLAMP (S/P)
11	21001748	HOSE, PRESSURE SWITCH (S/P)
11	35-0706	PAD, FOAM <b>DESCONTINUADO</b>
12	33-6099	CLAMP (S/P)
13	21001872	HOSE, DRAIN
14	89503	HOSE, 5' INLET
14	21001466	HOSE, INLET (S/P)
15	25-3092	SCREW (S/P)
16	35-2051	FLUME, WATER INLET (S/P)
17	35-0707	SEAL, SEAT & ``O`` RING <b>DESCONTINUADO</b>
18	25-7828	SCREW, No.10 TORQ LIMITING (S/P)
19	21002254	CLAMP, HOSE (S/P)
20	21001915	HOSE, TUB TO PUMP
21	27001223	CLAMP, DISCHARGE HOSE (S/P)
22	25-7048	WASHER (S/P)
23	33-4264N	STRAINER & WASHER KIT (S/P)
24	596669	CLAMP, PRESSURE SWITCH HOSE (S/P)
25	21001906	PUMP ASSY (COMPLETE)
25	35-2344	RESTRICTOR, FLOW (S/P)
26	22003814	RETAINER (S/P)

Distribuidor Autorizado

SurteRápido.com

Venta de Refacciones  
Electrodomesticas

## W228LV GABINETE





## W228LV GABINETE

1	35-2026	LID (WHT) (DOOR) (S/P)
2	43-0057	ACTUATOR, DOOR SWITCH
2	25-7436	NYLITE WASHER (S/P)
4	35-2045	PIN, HINGE
5	25-7893	SCREW (S/P)
6	35-2044	HINGE, LID
7	35-0581	BUMPER, DOOR (LID) (S/P)
8	35-2063	BUSHING, INSULATOR (S/P)
9	25-7662	SCREW (S/P)
10	21001136	SCREW, SWITCH/HOUSING (S/P)
11	12001187	SWITCH, LID/DOOR SAFETY SPIN
11	35-2904	PAD, LID SWITCH (S/P)
12	21001135	HOUSING, LID SWITCH (S/P)
13	25-7878	CLIP
14	21001134	LEVER, LID SWITCH
15	35-2739	TOP, CABINET (WHT) <b>DESCONTINUADO</b>
16	21001167	DISPENSER, BLEACH (S/P)
17	35-0680	CORD, POWER <b>DESCONTINUADO</b>
19	35-2846	HINGE, CABINET TOP
20	35-4128	PAD, HINGE
21	25-7796	CLAMP, PRESSURE SWITCH HOSE (S/P)
22	53-0643	PIN, LOCATOR (S/P)
23	25-7220	CLIP, CABINET TOP (S/P)
24	25-0224	NUT, LOCATOR PIN (S/P)
25	53-0643	PIN, LOCATOR (S/P)
26	35-2084	PANEL, FRONT (WHT) (S/P)
26	21001281	DAMPER, FRONT PANEL (S/P)
27	53-0120	CLIP, FRONT PANEL
28	35-4129	BUMPER, CABINET (S/P)
29	21001871	CABINET ASSY. (WHT) (S/P)
30	33-2653	BUMPER, CABINET (S/P)
31	21001871	SHIELD, REAR(NLA, ORDER CAB KIT) (S/P)

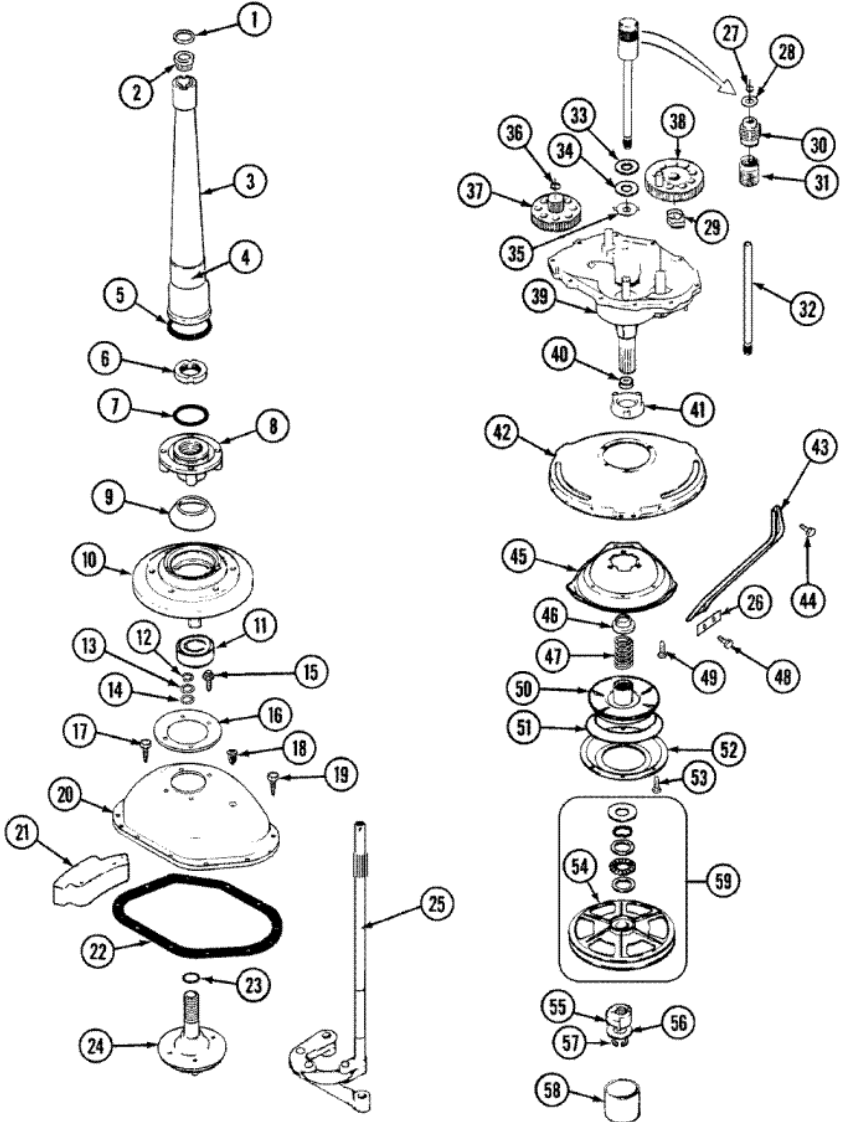


Distribuidor Autorizado

SurteRápido.com

Venta de Refacciones  
Electrodomesticas

## W228LV TRANSMISION SERIE 10-13



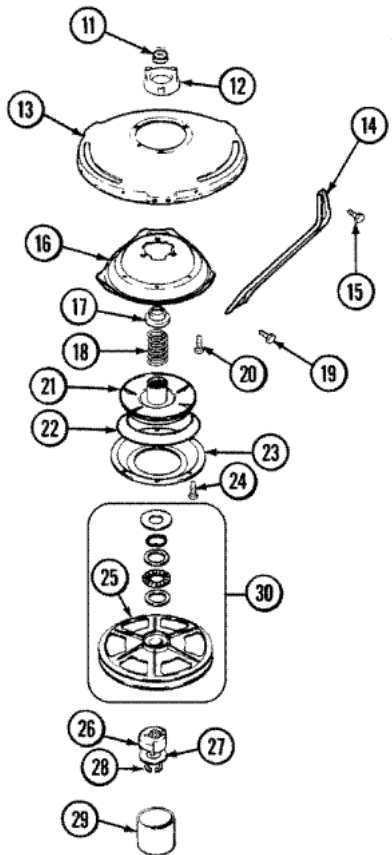
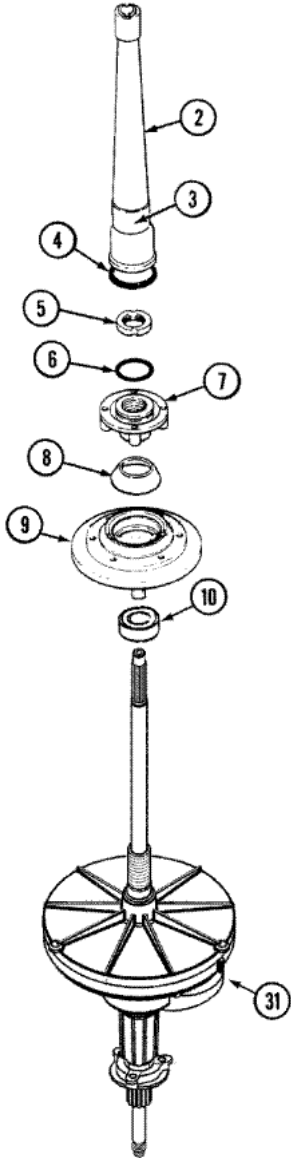


## W228LV TRANSMISION SERIE 10-13

1	25-7941	``O`` RING <b>DESCONTINUADO</b>
2	21001066	BEARING, CENTERPOST
3	35-2983	CENTERPOST <b>DESCONTINUADO</b>
4	35-2983	CENTERPOST ASSY. <b>DESCONTINUADO</b>
4	33-6790	BEARING, AGITATOR
5	35-2906	SEAL, CENTERPOST BOTTOM
6	35-2791	NUT, SPIN TUBE <b>DESCONTINUADO</b>
7	25-7938	``O`` RING, BASKET DRIVE HUB <b>(S/P)</b>
8	21002237	HUB, BASKET DRIVE
9	33-7224N	TUB SEAL/HUB ASSY (HT TRANS)
10	21002237	HOUSING, BEARING & SEAL
11	35-2205	BEARING, SPIN
11	21002237	BEARING & SEAL HOUSING ASSY.
12	25-7949	RING, RETAINING (AG. SHAFT) <b>DESCONTINUADO</b>
13	25-7057	WASHER, FLAT
14	25-7057	WASHER, FLAT
15	25-7895	SCREW, SUSP HSG TO LWR BRG ASY <b>(S/P)</b>
16	35-2981	COVER, REINFORCEMENT <b>(S/P)</b>
17	25-7895	SCREW, SUSP HSG TO LWR BRG ASY <b>(S/P)</b>
18	35-2621	PLUG, OIL FILL <b>(S/P)</b>
19	25-7758	SCREW <b>(S/P)</b>
20	35-2620	COVER, TRANSMISSION <b>(S/P)</b>
20	35-2971	TRANSMISSION COVER ASSY. <b>(S/P)</b>
21	35-3706	COUNTERWEIGHT <b>(S/P)</b>
22	35-0542	GASKET, TRANSMISSION HOUSING
23	33-4293N	GASKET KIT
24	35-3702	DRIVE TUBE ASSY. <b>(S/P)</b>
25	35-3804	LINKAGE ASSY. <b>DESCONTINUADO</b>
26	35-2025	PLATE, REINFORCEMENT <b>(S/P)</b>
27	25-7847	RING, RETAINING (CLUTCH ASSY.)
28	25-7415	WASHER, FLAT <b>DESCONTINUADO</b>
29	35-3384	STOP, ANTIBACKUP CAM <b>(S/P)</b>
30	35-2001	PINION, DRIVE

31	35-3608	SPRING, CLUTCH
32	35-2692	DRIVE SHAFT & HUB ASSY. (S/P)
33	25-7274	WASHER, STEEL (S/P)
34	35-3825	WASHER, NYLON (S/P)
35	35-2070	WASHER, STEEL W/TABS (S/P)
36	25-7933	RING, RETAINING (S/P)
37	35-2527	GEAR, CLUSTER (S/P)
38	21001067	GEAR, CRANK (S/P)
39	35-2812	HOUSING, TRANSMISSION (S/P)
40	207843	SEAL, TRANSMISSION HOUSING(LIP)
41	35-6680	TRANSMISSION HSG ASSY W/LWR BR (S/P)
41	12001562	BEARING ASSY. (LOWER)
42	21001518	SUPPORT, TUB (S/P)
43	21001164	BRACE, TUB (S/P)
44	25-7895	SCREW, SUSP HSG TO LWR BRG ASY (S/P)
45	21001163	HOUSING, SUSPENSION (S/P)
46	35-2017	RETAINER, BRAKE SPRING
47	21001910	SPRING, BRAKE
48	25-7930	SCREW 5/16-18X3/4 (S/P)
49	25-7895	SCREW, SUSP HSG TO LWR BRG ASY (S/P)
50	35-2948	BRAKE ROTOR & LINING ASSY
51	21002026	SNUBBER
52	35-6918	STATOR, BRAKE
53	21001065	SCREW, No.10-24X.50 HXNIBHD (S/P)
54	12002213	PULLEY, DRIVE
55	12002213	CAM REPLACEMENT KIT
56	35-2082	WASHER, 1.25ODX.530IDX.062
56	35-2132	WASHER, 1.25ODX.530IDX.032
57	25-7854	RING, RETAINING
58	35-2007	CAP, DUST
59	12002213	THRUST BEARING KIT
60	21001995	TRANSMISSION ASSY., DUAL DRIVE

**W228LV TRANSMISION SERIE 14**

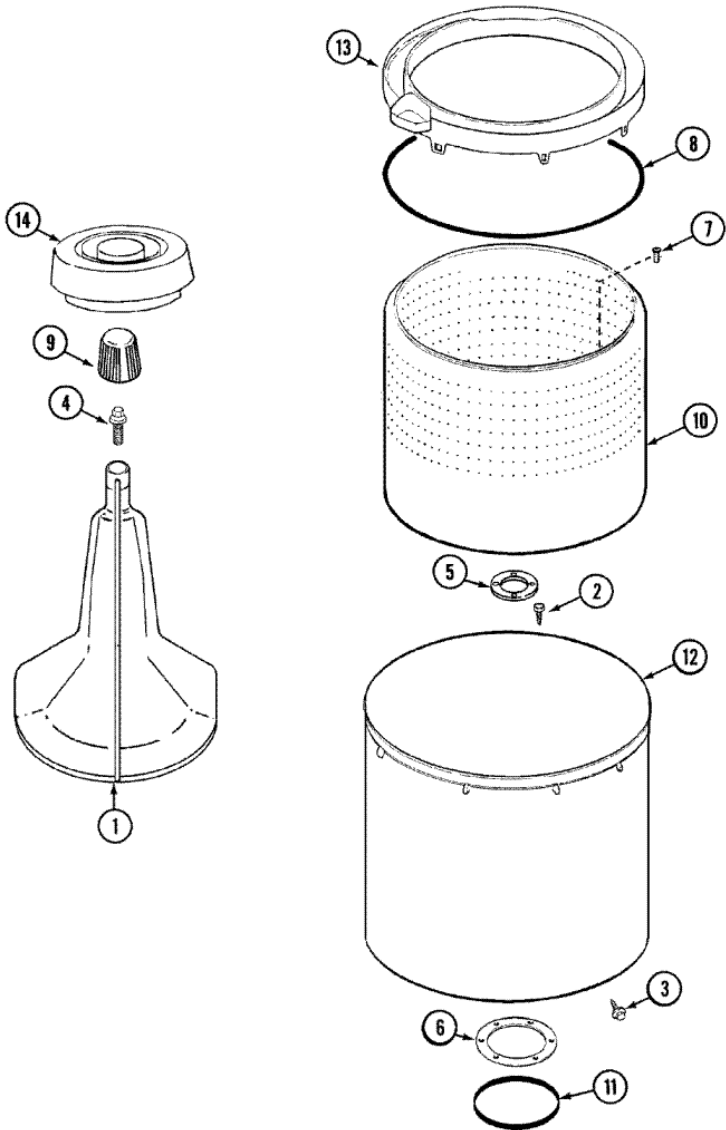




**W228LV TRANSMISION SERIE 14**

1	25-7941	``O`` RING <b>DESCONTINUADO</b>
2	35-2983	CENTERPOST <b>DESCONTINUADO</b>
3	33-6790	BEARING, AGITATOR
3	35-2983	CENTERPOST ASSY. <b>DESCONTINUADO</b>
4	35-2906	SEAL, CENTERPOST BOTTOM
5	35-2791	NUT, SPIN TUBE <b>DESCONTINUADO</b>
6	25-7938	``O`` RING, BASKET DRIVE HUB <b>(S/P)</b>
7	21002237	HUB, BASKET DRIVE
8	33-7224N	TUB SEAL/HUB ASSY (HT TRANS)
9	21002237	HOUSING, BEARING & SEAL
10	21002237	BEARING & SEAL HOUSING ASSY.
10	35-2205	BEARING, SPIN
11	207843	SEAL, TRANSMISSION HOUSING(LIP)
12	12001562	BEARING ASSEMBLY (LWR)
12	21001995	TRANSMISSION HSG ASSY W/LWR BR
12	12001562	BEARING ASSY. (LOWER)
13	21001518	SUPPORT, TUB <b>(S/P)</b>
14	21001164	BRACE, TUB <b>(S/P)</b>
16	21001163	HOUSING, SUSPENSION <b>(S/P)</b>
17	35-2017	RETAINER, BRAKE SPRING
18	21001910	SPRING, BRAKE
21	35-2948	BRAKE ROTOR & LINING ASSY
22	21002026	SNUBBER
23	35-6918	STATOR, BRAKE
24	21001065	SCREW, No.10-24X.50 HXNIBHD <b>(S/P)</b>
25	12002213	PULLEY, DRIVE
26	12002213	CAM REPLACEMENT KIT
27	35-2132	WASHER, 1.25ODX.530IDX.032 <b>(S/P)</b>
27	35-2082	WASHER, 1.25ODX.530IDX.062
28	25-7854	RING, RETAINING
29	35-2007	CAP, DUST
30	12002213	THRUST BEARING KIT
31	21001995	TRANSMISSION ASSY., DUAL DRIVE

W228LV TINAS





**W228LV TINAS**

1	35-3580	AGITATOR
2	21001063	SCREW, SHOULDER (S/P)
3	25-7953	SCREW (S/P)
4	25-7948	SCREW, AGITATOR RETENTION (S/P)
5	35-3685	GASKET, BASKET TO CENTERPOST (S/P)
6	35-3686	GASKET, TUB TO HOUSING (S/P)
7	25-7967	SCREW, SHOULDER (S/P)
8	35-2328	SEAL, TUB TOP <b>DESCONTINUADO</b>
9	35-2733	CAP, AGITATOR
10	35-3687	BASKET, SPIN <b>DESCONTINUADO</b>
11	35-2978	SEAL, TUB/HOUSING (S/P)
12	35-3700	TUB ASSEMBLY (PLASTIC) (S/P)
13	35-2262	SHIELD, TUB TOP <b>DESCONTINUADO</b>
13	35-3578	TOP, TUB
14	35-2550	DISPENSER, RINSE