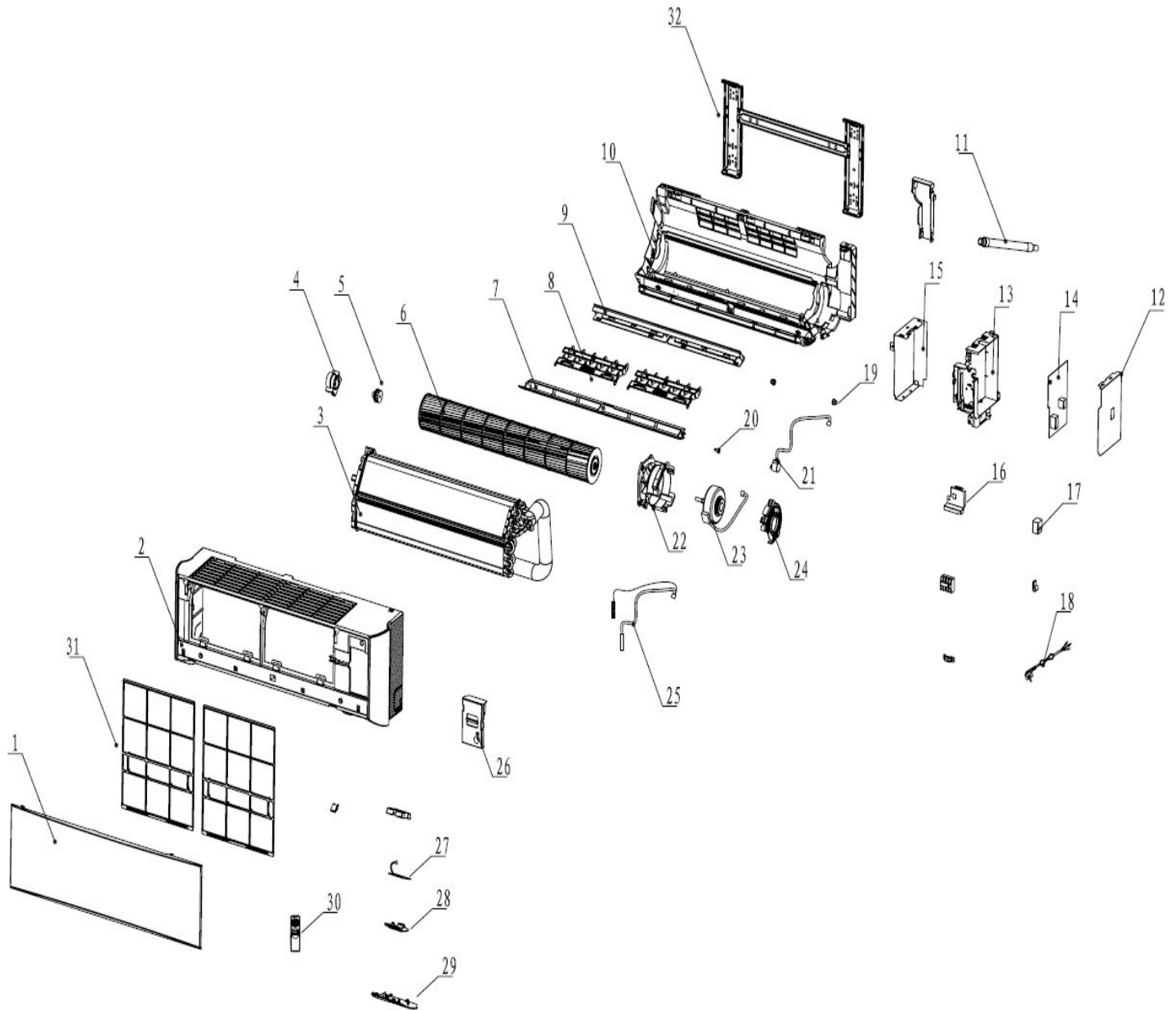




EXPLOSIONADO DE PARTES —MINISPLIT IMPORTADO—

MODELO | WA2043Q00

MINISPLIT WA2043Q00

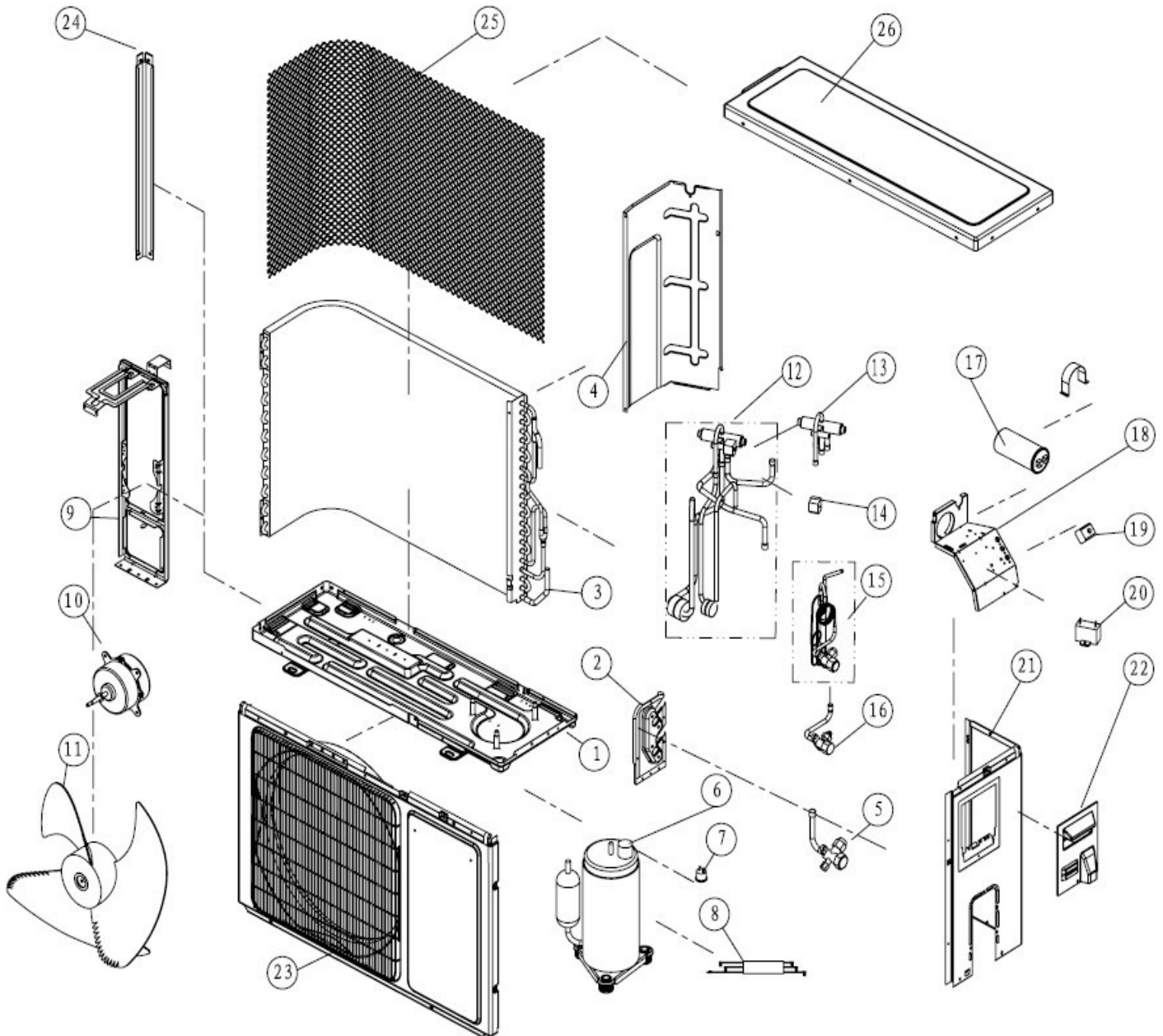




MINISPLIT WA2043Q00

No. Ilus.	DESCRIPCIÓN	Cant.	No. de Parte
1	Front Panel	1	1505250
2	Shell Parts	**	*****
3	Evaporator System	1	1517955
4	Baffle	1	1465670
5	Bearing	1	1223739
6	Cross-Flow Fan	1	1466013
7	Horizontal Louver	1	1465594
8	Vertical Level Vane	2	1465662
9	Air Duct Plate	1	1465654
10	Base Parts	**	*****
11	Drain Hose Assy	1	1470426
12	Electrical Box Plate G1S00/R00.05-04	**	*****
13	Electrical Box(Plastic)	**	*****
14	Control Board Component	1	1506104
15	Electrical Box Plate G1S00/R00.05-03	**	*****
16	Electrical Box Cover(Metal)	**	*****
17	Terminal Dg17D5-01	**	*****
18	Power Cord	**	*****
19	Bearing Seat	2	1222824
20	Axes	1	1465593
21	Step Motor	1	1260259
22	Motor Guard	**	*****
23	Fan Motor	1	1487147
24	Cover	**	*****
25	Temperature Sensor	1	1506081
26	Electrical Box Cover(Plastic)	**	*****
**	Display Board Ass'Y	**	*****
27	Display Board	1	1464488
28	Display Box	**	*****
29	Display Panel	1	1526579
30	Remote Control	1	1525520
31	Filter	2	1505217
32	Installation Template	1	1465588

MINISPLIT WA2043Q00





MINISPLIT WA2043Q00

No. Ilus.	DESCRIPCIÓN	Cant.	No. de Parte
1	Base Parts	**	*****
2	Mounting Plate	**	*****
3	Condenser Ass'Y	1	1506488
4	Separate Plate	**	*****
5	Three Way Valve	1	1258625
6	Compressor	1	1461383
7	Overload Protector	1	1461384
8	Compressor Power Cord	**	*****
9	Motor Bracket	**	*****
10	Fan Motor	1	1413331
11	Axial Fan	1	1405123
12	4-Way Valve Ass'Y	1	1518049
13	4-Way Valve	1	1225701
14	4-Way Valve Coil	1	1258661
15	Throttled Parts	1	1506838
16	Two Way Valve	1	1258477
17	Compressor Capacitor	1	1225581
18	Electrical Box	**	*****
19	Terminal Dg17D5-01	**	*****
20	Fan Capacitor	1	1374956
21	Side Panel	**	*****
22	Wiring Cover Assy	**	*****
23	Front Panel Parts	**	*****
24	Mounting Plate	**	*****
25	Back Guard	**	*****
26	Top Cover	**	*****