

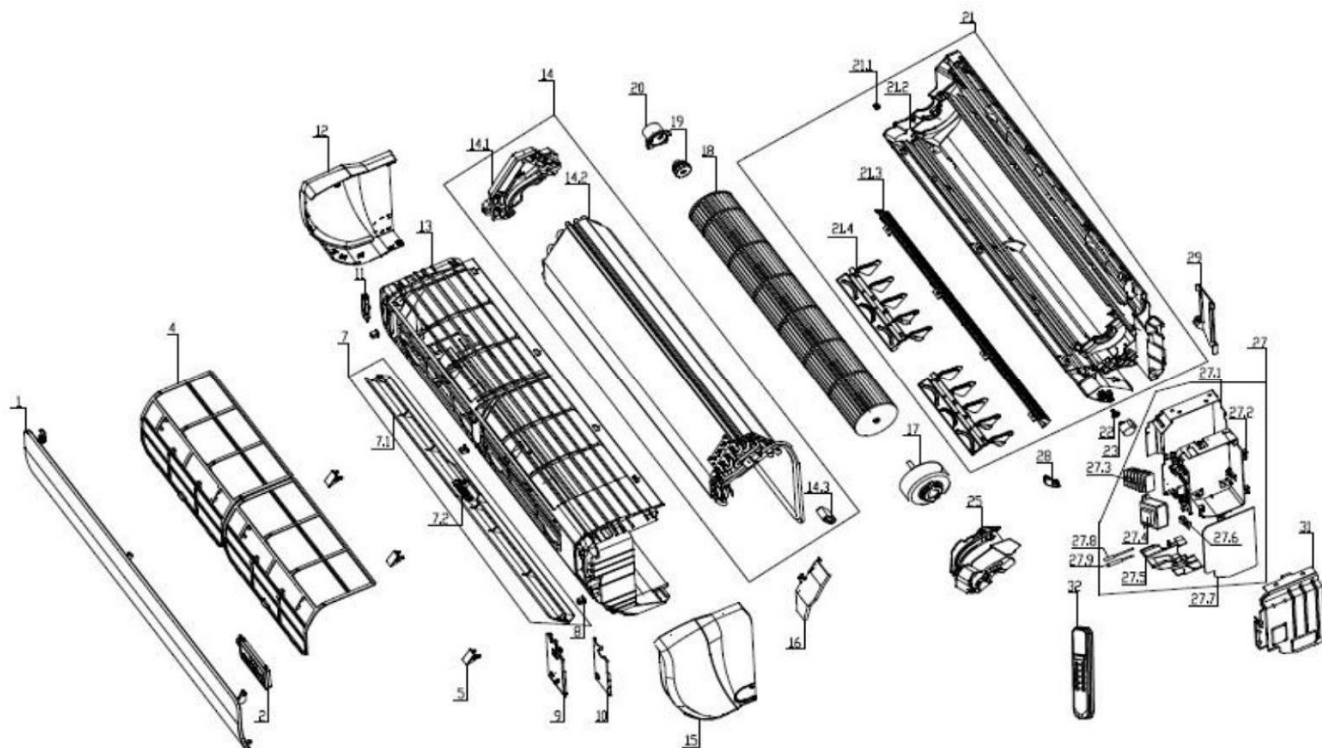
# EXPLOSIONADO DE PARTES

— Mini Split —

MODELO | WA4026Q



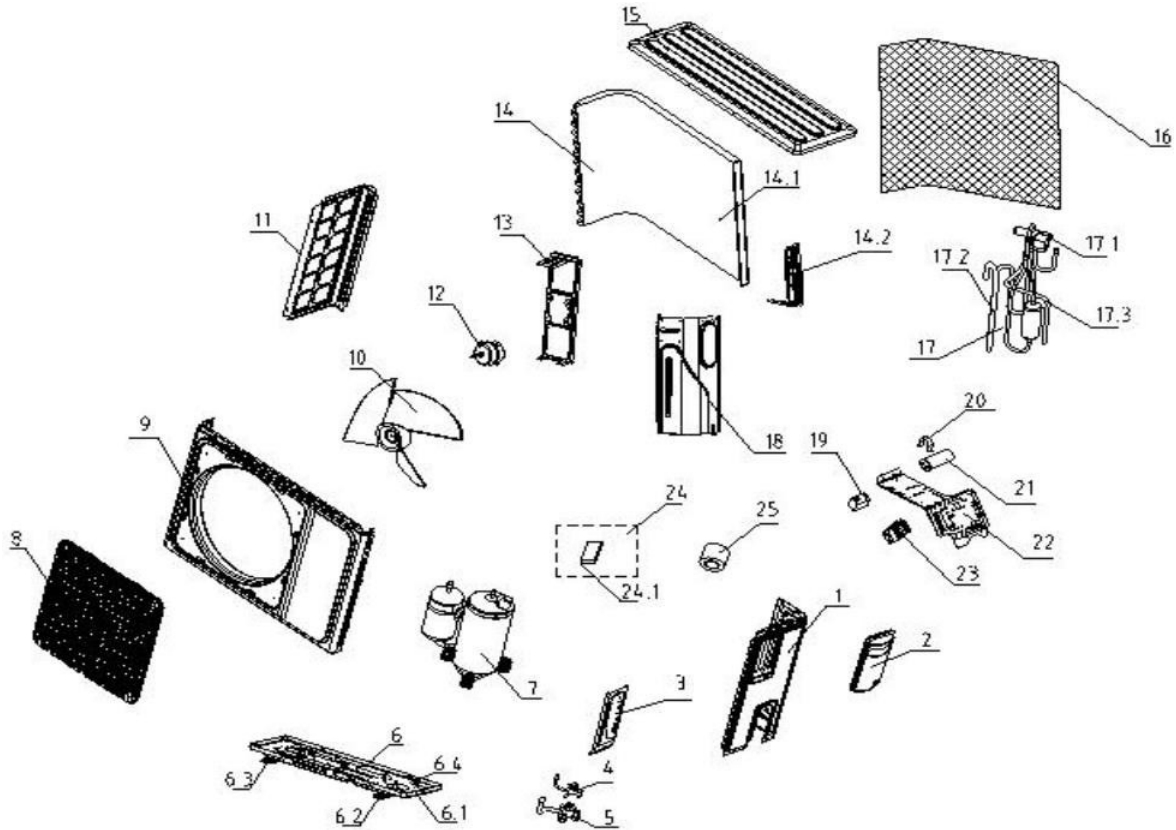
# MINISPLIT WA4026Q





# MINISPLIT WA4026Q

Ilus.	DESCRIPTION	Cant.	Part Nu.
1	Panel	1	11320003002241
2	Display board	1	11222014000539
4	Filter	2	11220508000116
5	Screw cover	3	11320096000055
6	Decoration board	1	11320061000283
7	Air louver	1	11320005000247
7.1	Air louver	1	11320005000247
7.2	Air louver holder	1	11320080000007
8	Panel clasp	3	11320106000008
9	Medium frame wiring cover	1	11320076000063
10	Medium frame wiring cover scaleboard	1	11321041000016
11	Support rod	1	11320043000032
12	Left cover	1	11320035000010
13	Medium frame	1	11320002000199
14	Evaporator assembly	1	11224003000626
14.1	Evaporator left side carriage	1	11320015000113
14.2	Evaporator assembly	1	11224009000200
14.2	Evaporator parts	1	11224009000199
14.3	Evaporator protecting bush	1	11320101000018
15	Right cover	1	11320036000010
16	Breakwater	1	11320065000020
17	Indoor fan motor	1	11230003000141
18	Cross flow fan	1	11220513000054
19	Bearing assembly	1	11220551000003
20	Bearing fixed chassis	1	11320062000028
21	Chassis assembly	1	11220500000180
21.1	Chassis shaft sleeve	1	11320079000010
21.2	Chassis	1	11320001000217
21.3	Air louver	1	11320135000016
21.4	Left-right swing blade	2	11320017000119
22	Step motor shaft sleeve	1	11320079000013
23	Step motor	1	11230002000058
23	Step motor	1	11230002000088
24	Controller box metal plate	1	11221526000003
25	Motor cover	1	11320052000032
27	Main controller	1	11222003002049
27.1	Controller box sheet-metal B	1	11321012000006
27.2	Controller box	1	11320057000071
27.3	Terminal board	1	11330037000037
27.5	Chasis support board	1	11320104000008
27.6	Power wire cable clamp	1	11321001000009
27.7	Main PCB	1	11222009002752
27.8	Temperature sensor	1	11329013000103
27.9	Temperature sensor	1	11329013000103
28	Power wire cable clamp	1	11320010000048
29	Pipe clamp	1	11320084000015
30	Mounting plate assembly	1	11321003000028
31	Controller box sheet-metal A	1	11321012000005
32	Remote controller	1	11222001000771





# MINISPLIT WA4026Q

<b>Ilus.</b>	<b>DESCRIPTION</b>	<b>Cant.</b>	<b>Part Nu.</b>
1	Right side board	1	11321007000287
2	E-parts cover	1	11321008000014
3	Valve plate	1	11321031000027
4	Stop valve	1	11325042000029
5	Stop valve	1	11325042000020
6	ODU Chassis	1	11221502000447
6.1	Chasis	1	11321014000127
6.2	Right base foot	1	11321023000012
6.3	Left base foot	1	11321023000012
6.4	Pump foot screw	3	14731005000022
7	Compressor assembly	1	11223003000286
8	Panel grille	1	11320026000038
9	Outdoor panel	1	11321005000075
10	Outdoor fan	1	11320009000049
11	Axial flow fan	1	11321006000108
12	ODU fan motor	1	11230004000358
13	Motor support	1	11321002000030
14	Condenser assembly	1	11224004001167
14.1	Condenser parts	1	11224006000457
14.2	Capillary assembly	1	11225506001263
15	Top cover	1	11321009000033
16	Plastic grille	1	11320026000038
17	4-valve assembly	1	11225516000756
17.1	4-valve	1	11225509000053
17.2	Suction assembly	1	11225504000534
17.3	Discharge assembly	1	11225505000659
18	Partition board	1	11321025000047
19	Motor capacitor	1	11330010000090
20	Capacitor clamp	1	11321001000029
21	Compressor capacitor	1	11330009000086
22	E-parts bracket	1	11321015000033
23	Terminal board	1	11330037000058
24	Plastic bag	1	11219005000191
24.1	Putty	1	14618079000002
25	Plastic tie	1	11320022000016