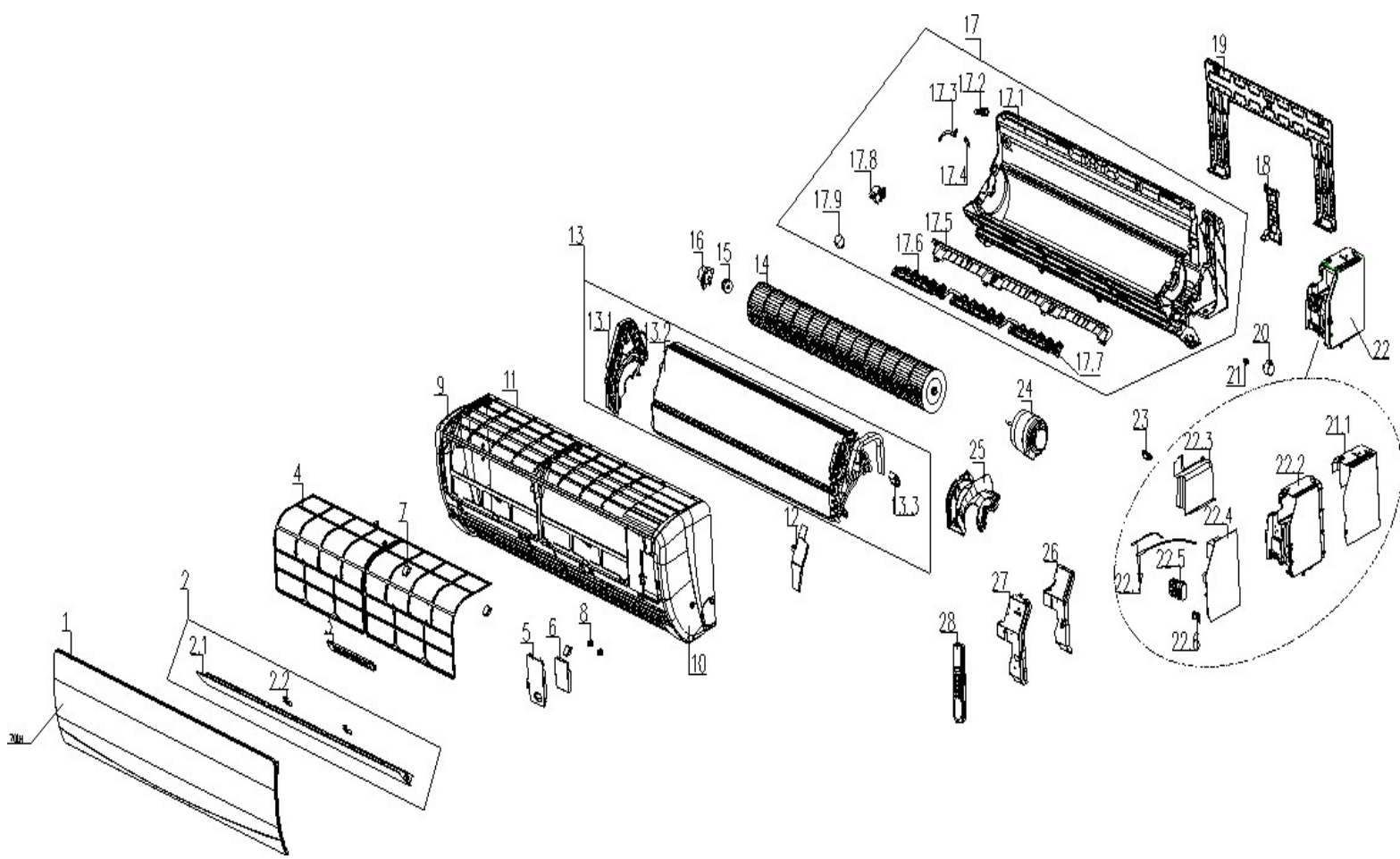


EXPLOSIONADO DE PARTES

— Mini Split —

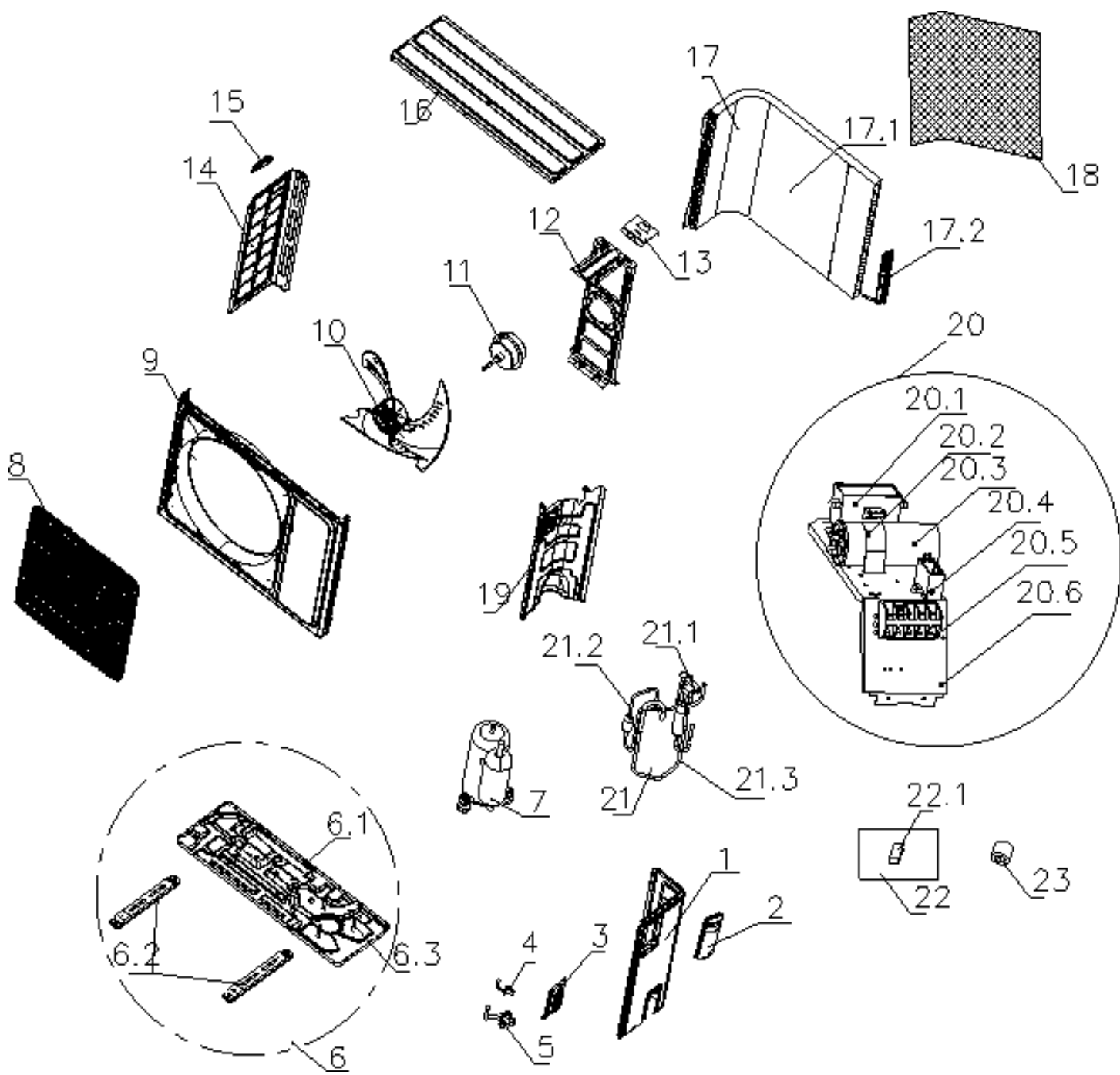
MODELO | WA4226Q





MINISPLIT WA4226Q

No.	Nombre	Cantidad	Material
1	panel	1	11320003002256
2.1	air louver	1	11320005000295
2.2	air louver holder	3	11320080000007
3	display assembly	1	11222014000539
4	air filter	2	11220508000103
5	medium frame wiring cover	1	11320076000057
6	wiring cover holder	1	11321071000006
7	screw cover	3	11320096000075
8	panel buckle	4	11320106000008
9	side cover-left	1	11320078000051
10	medium frame	1	11320002000237
11	side cover-right	1	11320078000052
12	breakwater	1	11320065000020
13.1	evaporator left side carriage	1	11320015000123
13.2	Evaporator assembly	1	11224003000535
13.3	sheath	1	11320101000018
14	indoor fan assembly	1	11220513000059
15	bearing assembly	1	11220551000003
16	bearing fixed chassis	1	11320062000026
17.1	chasis	1	11220500000155
17.2	Water plug		11333003000009
17.3	swing connecting bar B	1	1132008500082
17.4	crank	1	11320091000014
17.5	air louver	1	11320135000008
17.6	swing blade	3	11320017000109
17.7	swing connecting bar A	1	11320085000081
17.8	motor holder	1	11320127000007
17.9	step motor	1	11230002000071
18	evaporator tubing clamp	1	11320084000014
19	mounting plate	1	11221500000029
20	step motor	1	11230002000070
21	shaft sleeve	/	11320079000012
22.1	control box sheet A	1	11321035000022
22.2	control box	1	11320057000066
22.3	control box sheet B	1	11321035000023
22.4	PCB	1	11329021000615
22.5	IDU terminal board	1	11330037000078
22.6	power wire clamp	1	11321001000020
22.7	room temperature sensor	1	11329013000103
23	power wire cable clamp	1	11320010000045
24	IDU motor	1	11230003000137
25	motor cover	1	11320052000035
26	control box conver	1	11320058000055
27	Control box sheet	1	11321020000029
28	RC	1	11222001000771





MINISPLIT WA4226Q

No.	Nombre	Cantidad	Material
1	right side board	1	11321007000301
2	E-parts cover	1	11320068000009
3	valve board	1	11321031000030
4	high pressure stop valve	1	11325042000010
5	low pressure stop valve	1	11325042000013
6	chasis assembly	1	11221502000491
6.1	chais	1	11321014000131
6.2	base foot	2	11321023000014
6.3	punp foot screw	3	14731005000022
7	compressor assembly	1	11223003000274
8	panel grille	1	11320026000049
9	panel	1	11321005000084
10	outdoor fan	1	11320009000053
11	motor	1	11230004000362
12	motor support	1	11321002000032
13	condenser hangers	1	11321029000038
14	left side board	1	11321006000133
15	small handle	1	11320097000010
16	top cover	1	11321009000038
17	condenser assembly	1	11224004001068
17.1	condenser parts	1	11224006000437
17.2	capillary assembly	1	11225506001188
18	rear grille	1	11320026000051
19	partition board	1	11321025000054
20	E-parts bracket assembly	1	/ (24k CH)
20.1	Single phase AC contactor	1	11330015000014
20.2	capacity clamp	1	11321001000015
20.3	compressor capacity	1	11330009000090
20.4	fan motor capacity	1	11330010000092
20.5	terminal board	1	11330037000062
20.6	E-parts support	1	11321015000041
21	4-valve assembly	1	11225516000761
21.1	4-valve	1	11325007000103
21.2	suction assembly	1	11225504000587
21.3	discharge assembly	1	11225505000666
22	plastic bag	1	11219005000190
22.1	putty	1	14618079000002
23	plastic tie	1	11320022000016