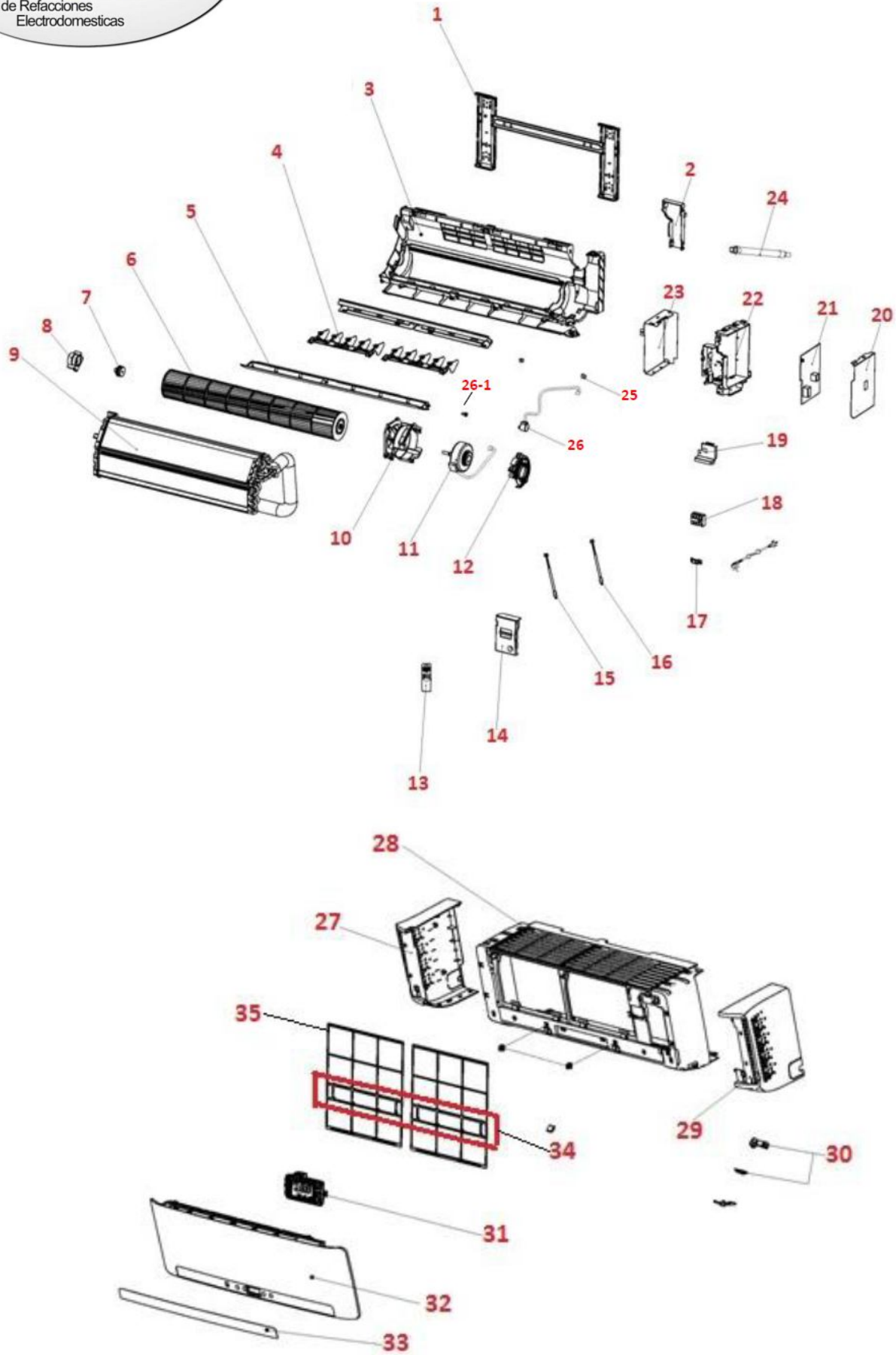


MINISPLIT WA5067Q

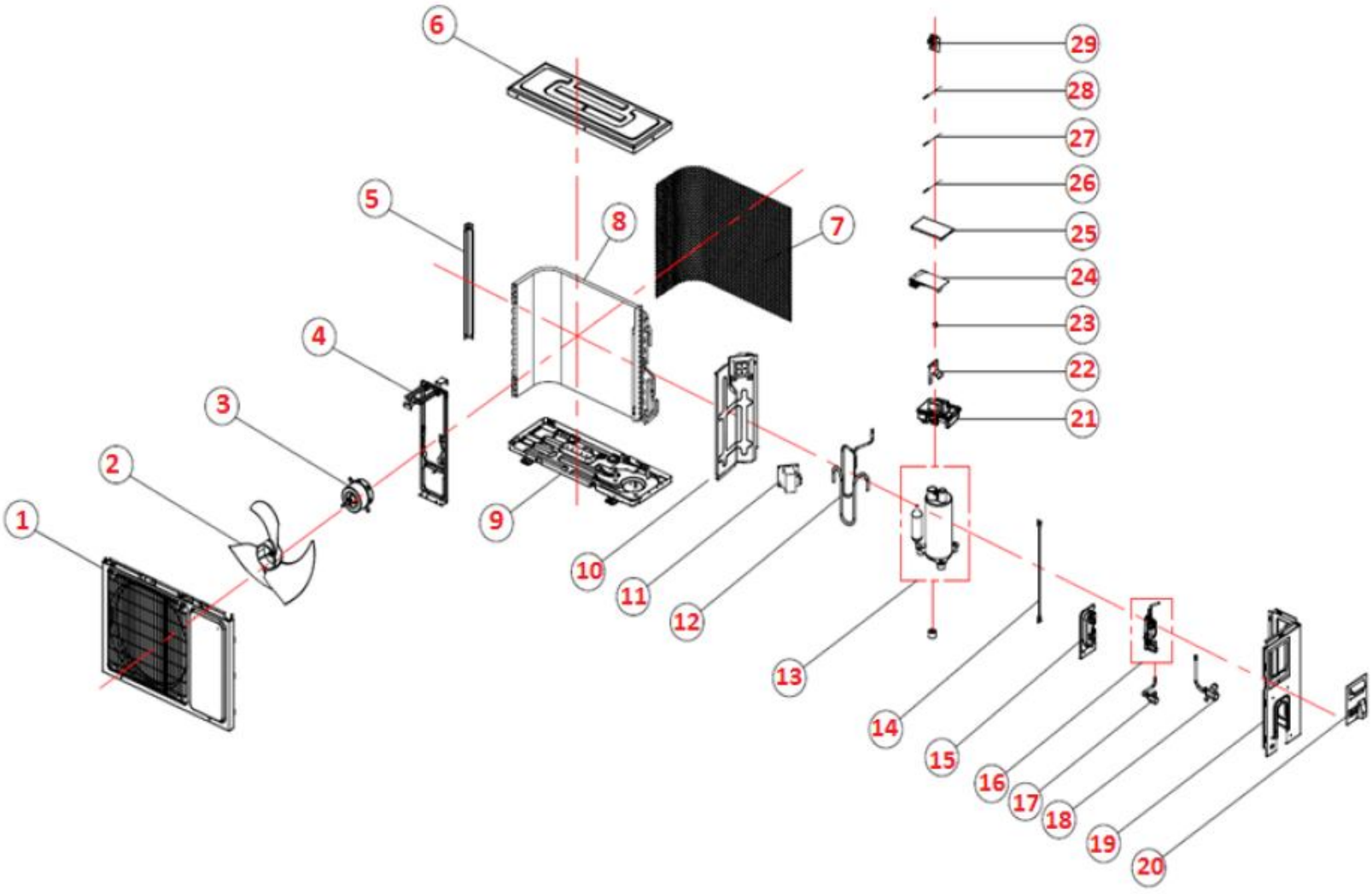




MINISPLIT WA5067Q

No. Ilustración	Descripción	No. Parte
1	INSTALLATION PLATE ASSY	1465589
2	BAFFLE	1465666
3	BASE HOLDER PART	1802220
4	VERTICAL LEVEL VANE	1465662
5	LEVEL VANE	1555374
6	CROSS-FLOW FAN BLADE	1466014
7	BEARING	1223739
8	BAFFLE	1465670
9	REFRIGERATION SYSTEM	1895372
10	MOTOR GUARD	1465756
11	FAN MOTOR	1505210
12	MOTOR COVER	1465757
13	REMOTE CONTROLLER	4046900
14	ELECTRIC BOX COVER	1465759
15	TEMPERATURE SENSOR	1387643
16	TEMPERATURE SENSOR	1471151
17	CLAMP	1456755
18	WIRE TERMINAL BOARD	1262152
19	ELECTRIC BOX COVER	1465763
20	ELEC JOINT BOX PLATE	1465761
21	INDOOR MAIN CONTROL BOARD COMPONENT	1908209
22	ELECTRIC BOX	1465758
23	ELEC JOINT BOX PLATE	1465762
24	WATER PIPE PARTS	1470426
25	AXIS SHEATH	1222824
26	STEP MOTOR	1260259
26-1	AXLE SLEEVE	1465593
27	ORNAMENTAL PART	1822044
28	SHELL	1555389
29	ORNAMENTAL PART	1822045
30	SWITCH PANEL ASSY	1823826
31	DISPLAY COMPONENT	1875001
32	PANEL	1822043
33	DISPLAY FILM	4051176
34	COMBO FILTER	1542897
35	FILTER	1506312

MINISPLIT WA5067Q





MINISPLIT WA5067Q

No. Ilustración	Descripción	No. Parte
1	PANEL PARTS	1561140
2	PROPELLER FAN BLADE	1554168
3	FAN MOTOR	1848432
4	MOTOR SUPPORTER	1308210
5	MOUNTING PLATE	1248091
6	UPPER BOARD	1554206
7	BACK GUARD	1834841
8	CONDENSER ASSEMBLY	1850796
9	BASE HOLDER PART	1560939
10	CLAPBOARD	1823290
11	PFC INDUCTANCE	1343046
12	PIPE ASS'Y	1894823
13	COMPRESSOR	1850749
14	COMPRESSOR CONNECT WIRE	1822371
15	MOUNTING PLATE	1554211
16	THROTTLE ASSEMBLY	1884050
17	2-WAY VALVE	1258653
18	3-WAY VALVE	1513514
19	SIDE PANEL	1554207
20	WIRING DISTRIBUTION COVER ASSY	1276574
21	ELECTRIC BOX	1823291
22	CONNECTING BOARD	1407674
23	WIRE TERMINAL BOARD	1874547
24	OUTDOOR MAIN CONTROL BOARD COMPONENT	1874708
25	ELECTRIC BOX COVER	1823292
26	TEMPERATURE SENSOR	1472663
27	TEMPERATURE SENSOR	1472664
28	TEMPERATURE SENSOR	1831029
29	SENSOR MOUNTING PLATE	1204958